



US00D401749S

# United States Patent [19]

Santos et al.

[11] **Patent Number: Des. 401,749**

[45] **Date of Patent: \*\*Dec. 1, 1998**

[54] **GOLF SHOE CLEAT**

[76] Inventors: **Kenneth Santos**, 140 High St., Apt. 2 R, Taunton, Mass. 02780; **Joel A. Singer**, 175-I Centre St. #906, Quincy, Mass. 02169

[\*\*] Term: **14 Years**

[21] Appl. No.: **73,942**

[22] Filed: **Jul. 24, 1997**

[51] **LOC (6) Cl. .... 02-04**

[52] **U.S. Cl. .... D2/962**

[58] **Field of Search .... D2/962; 36/126-130, 36/134, 67 A, 67 B, 67 C, 67 D**

[56] **References Cited**

**U.S. PATENT DOCUMENTS**

D. 327,975 7/1992 Saito et al. .... D2/962

D. 366,755 2/1996 Abbey ..... D2/962  
D. 373,675 9/1996 McMullin ..... D2/962  
D. 375,192 11/1996 Bathum ..... D2/962  
1,304,616 5/1919 Smith ..... 36/127  
5,623,774 4/1997 Abbey ..... 36/127

*Primary Examiner*—Doris V. Coles

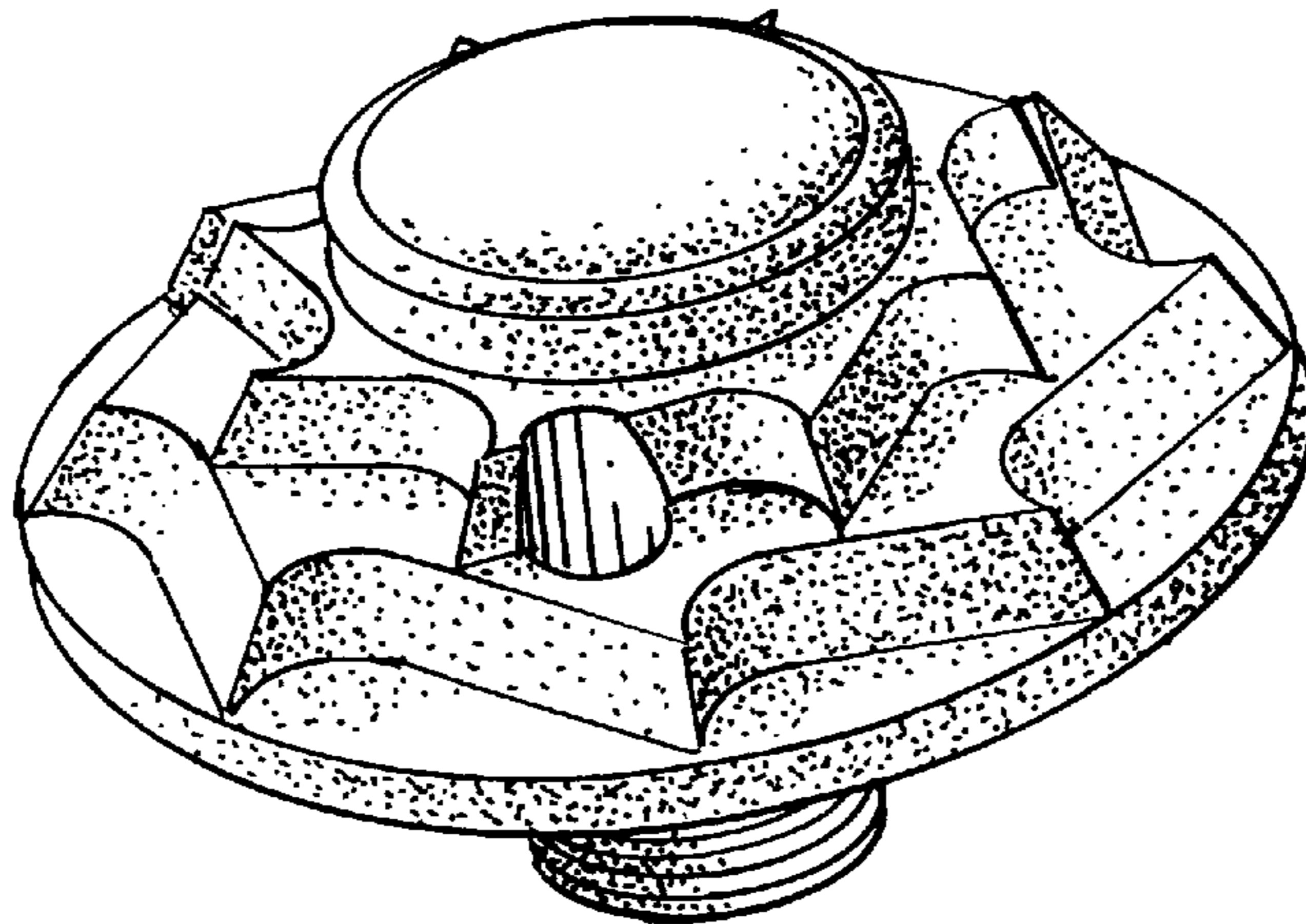
[57] **CLAIM**

The ornamental design of the golf shoe cleat, as shown and described.

**DESCRIPTION**

FIG. 1 is a perspective view of the golf shoe cleat showing the design of my invention;  
FIG. 2 is a top plan view thereof;  
FIG. 3 is a right side view thereof;  
FIG. 4 is a bottom view thereof; and,  
FIG. 5 is a left side view thereof.

**1 Claim, 1 Drawing Sheet**



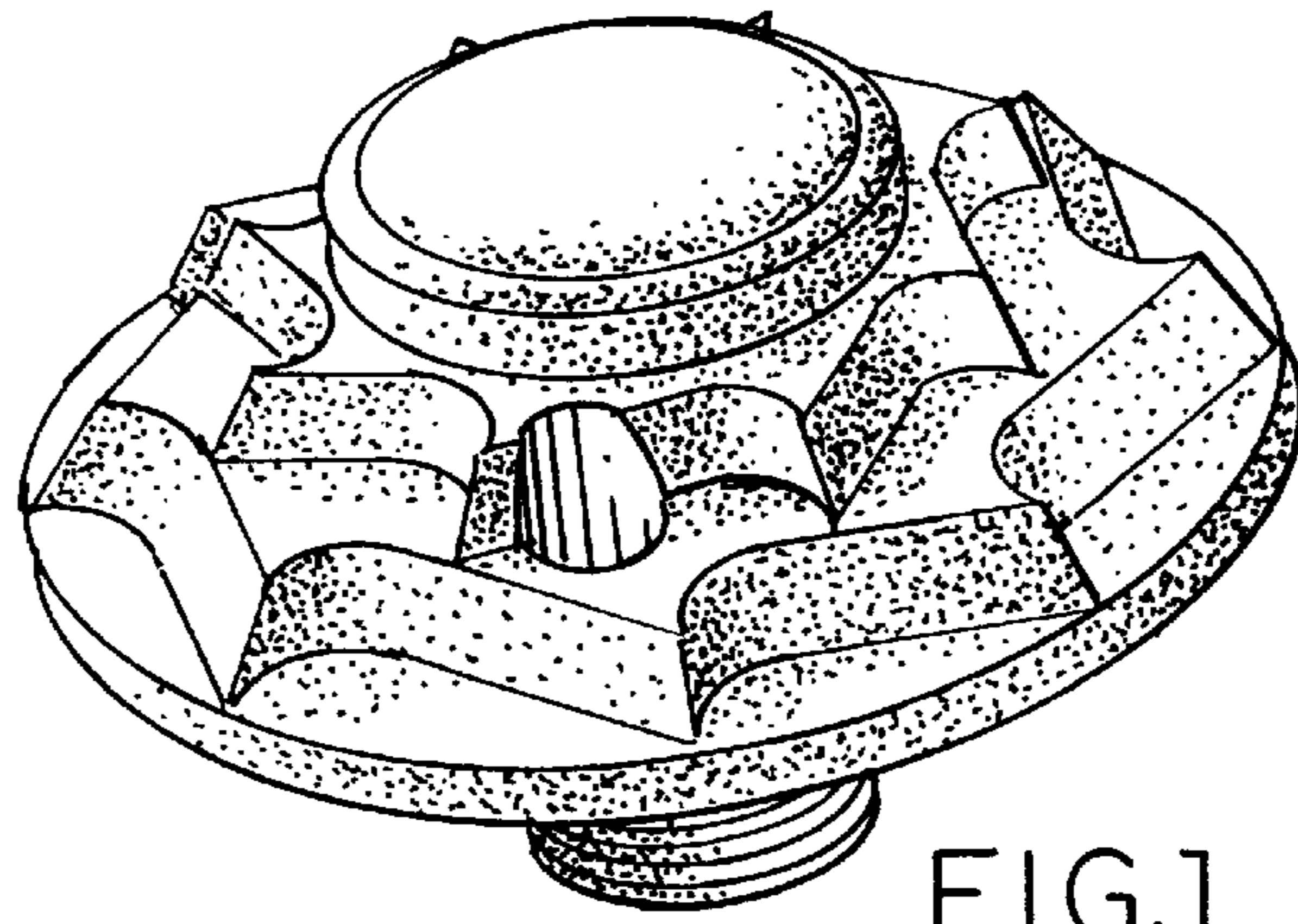


FIG.1

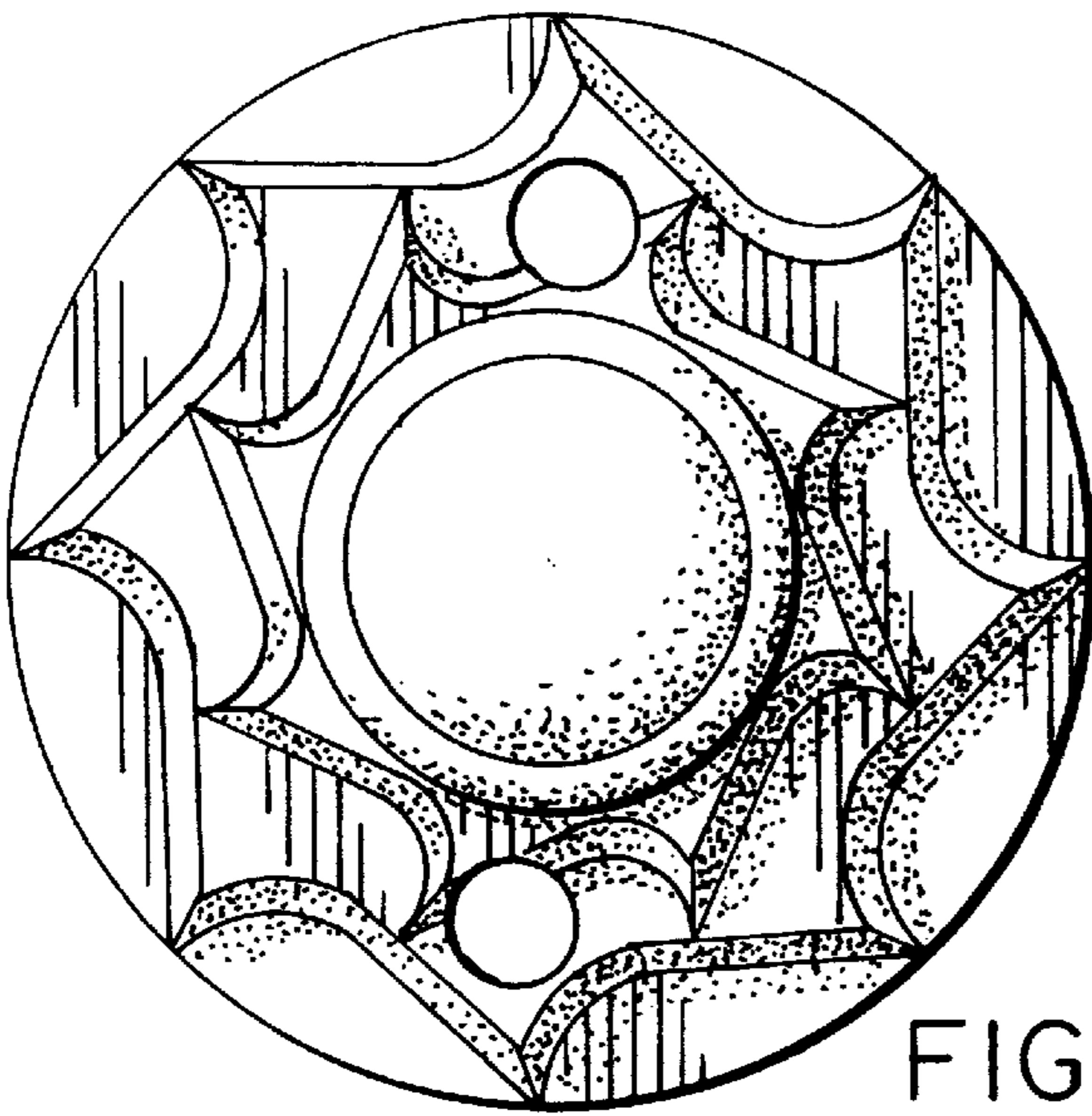


FIG.2

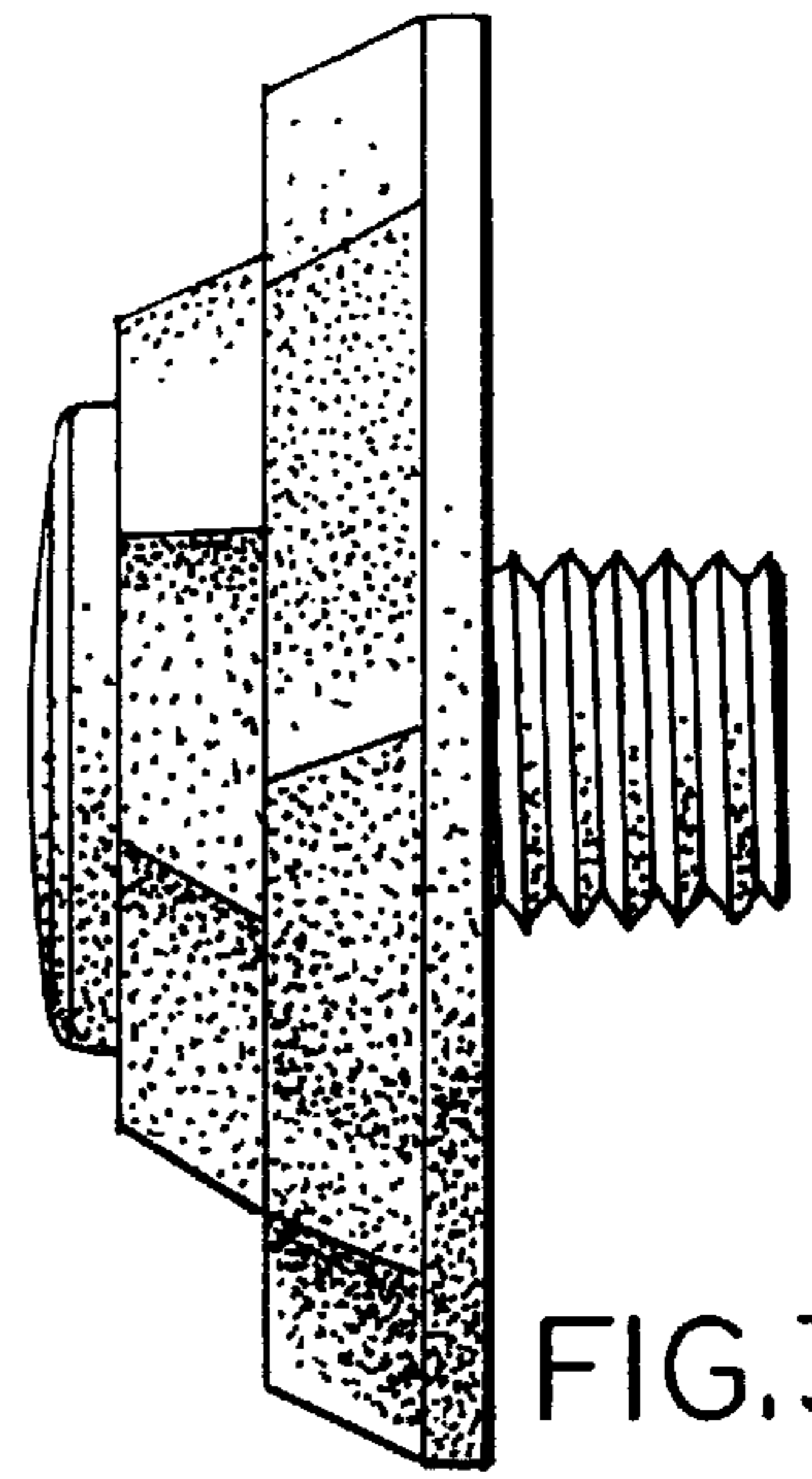


FIG.3

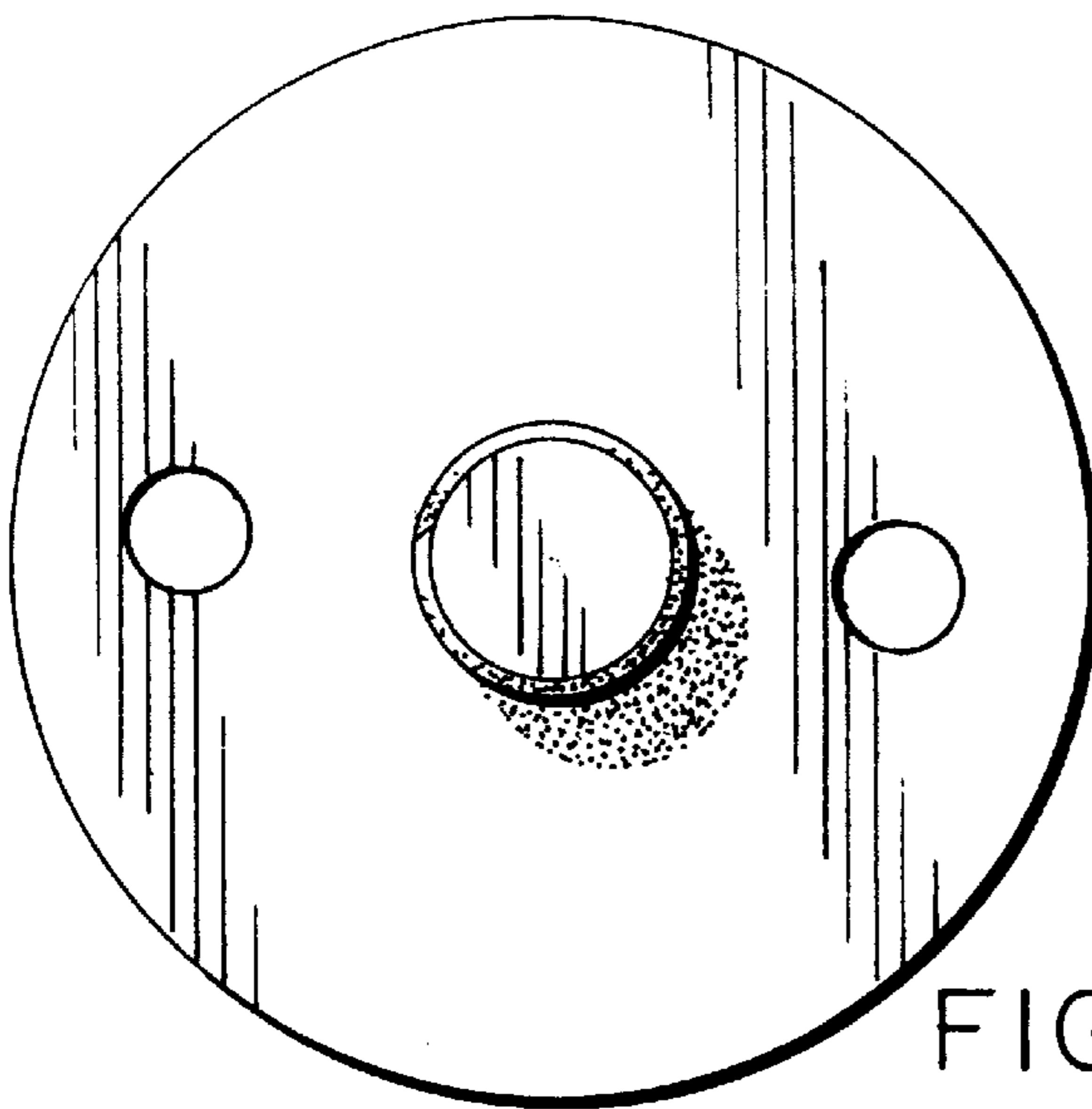


FIG.4

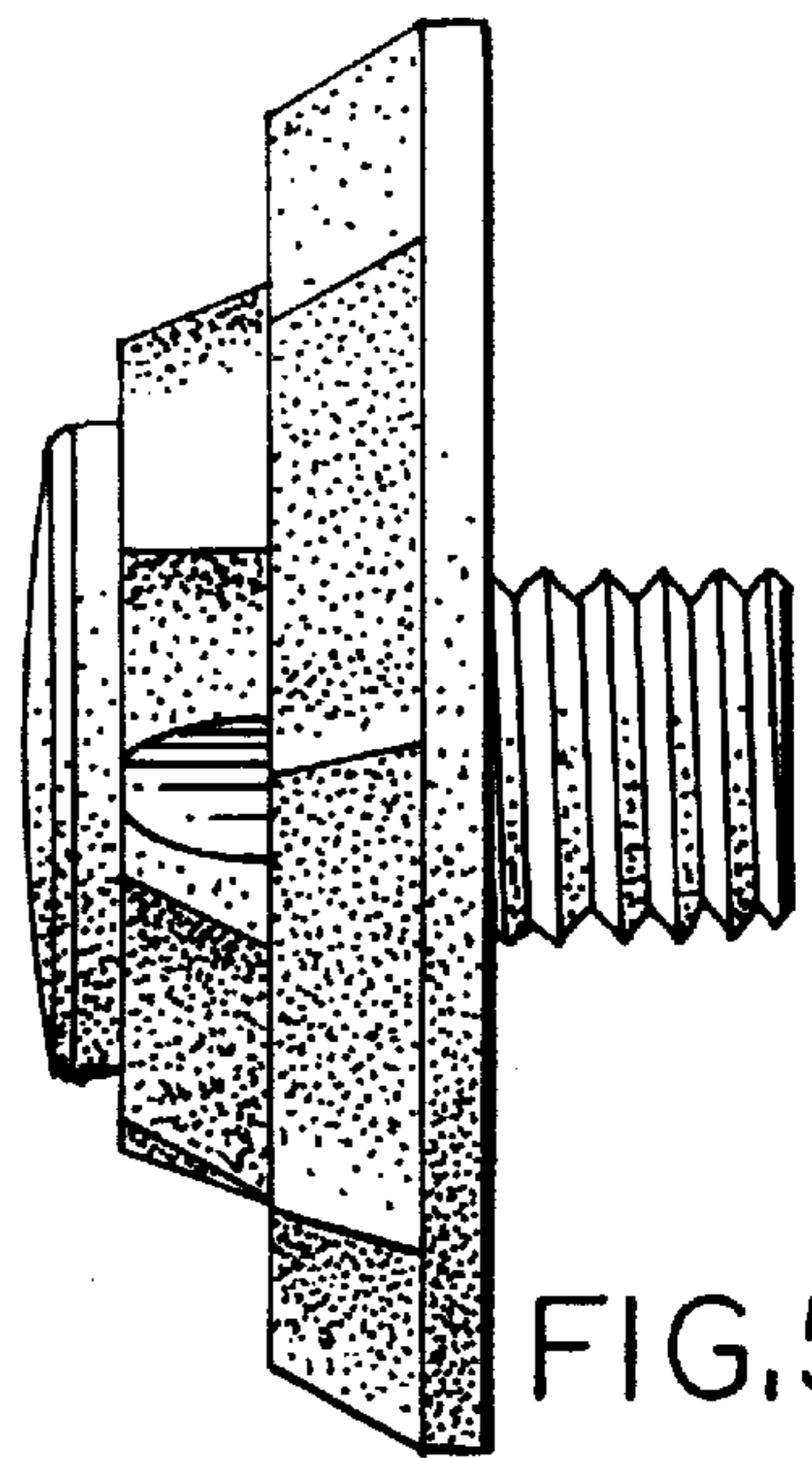


FIG.5