



US00D401748S

United States Patent [19]

Santos et al.

[11] **Patent Number: Des. 401,748**

[45] **Date of Patent: **Dec. 1, 1998**

[54] **GOLF SHOE CLEAT**

[76] Inventors: **Kenneth Santos**, 140 High St., Apt. 2 R, Taunton, Mass. 02780; **Joel A. Singer**, 175-I Centre St. #906, Quincy, Mass. 02169

[**] Term: **14 Years**

[21] Appl. No.: **73,941**

[22] Filed: **Jul. 24, 1997**

[51] **LOC (6) Cl. 02-04**

[52] **U.S. Cl. D2/962**

[58] **Field of Search D2/962; 36/126-130, 36/134, 67 A, 67 B, 67 C, 67 D**

[56] **References Cited**

U.S. PATENT DOCUMENTS

D. 327,975 7/1992 Saito et al. D2/962

D. 366,755	2/1996	Abbey	D2/962
D. 373,675	9/1996	McMullin	D2/962
D. 375,192	11/1996	Bathum	D2/962
1,304,616	5/1919	Smith	36/127
5,623,774	4/1997	Abbey	36/127

Primary Examiner—Doris V. Coles

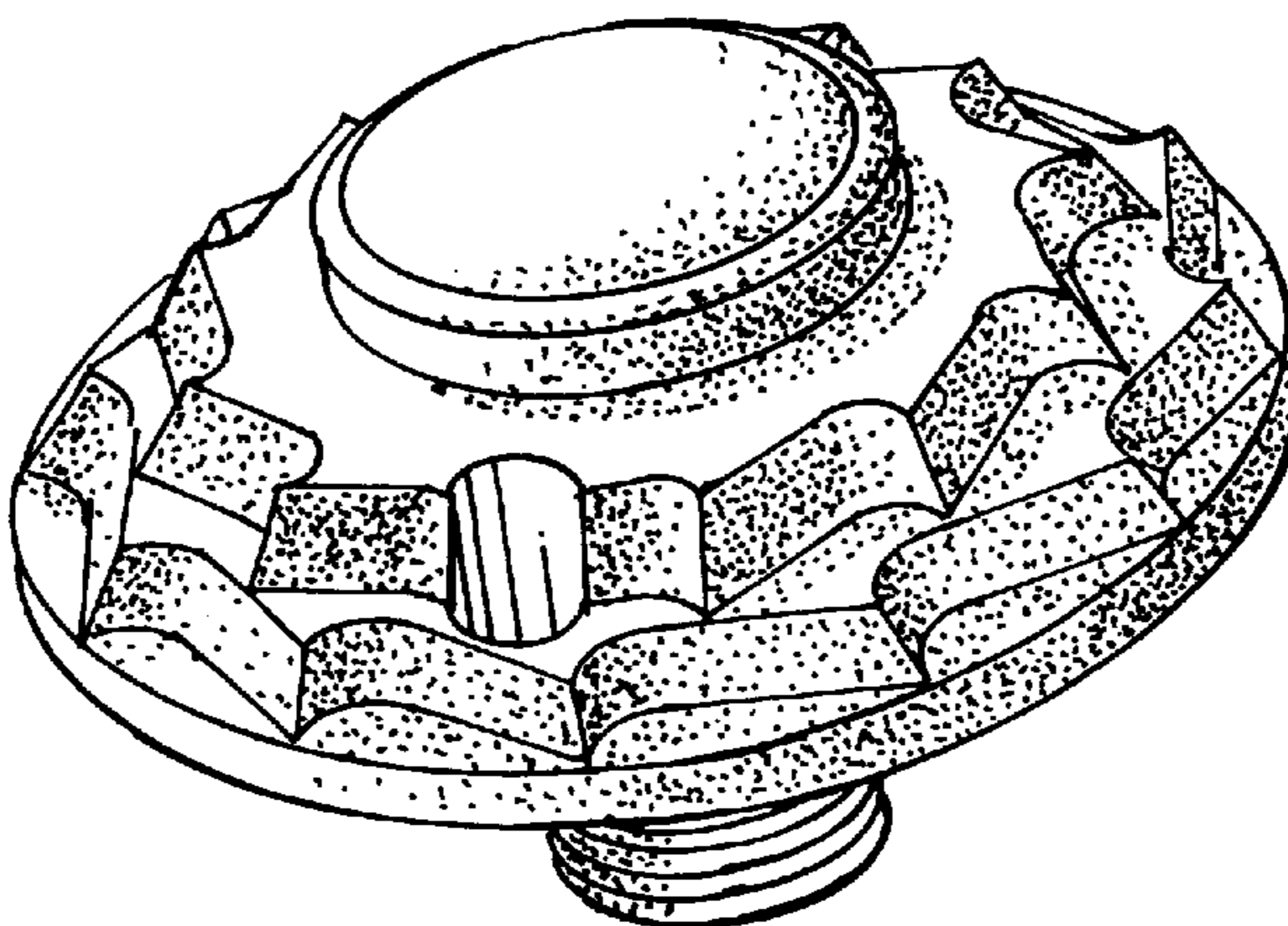
[57] **CLAIM**

The ornamental design of the golf shoe cleat, as shown and described.

DESCRIPTION

FIG. 1 is a perspective view of the golf shoe cleat showing the design of my invention; FIG. 2 is a top plan view thereof; FIG. 3 is a right side view thereof; FIG. 4 is a bottom view thereof; and, FIG. 5 is a left side view thereof.

1 Claim, 1 Drawing Sheet



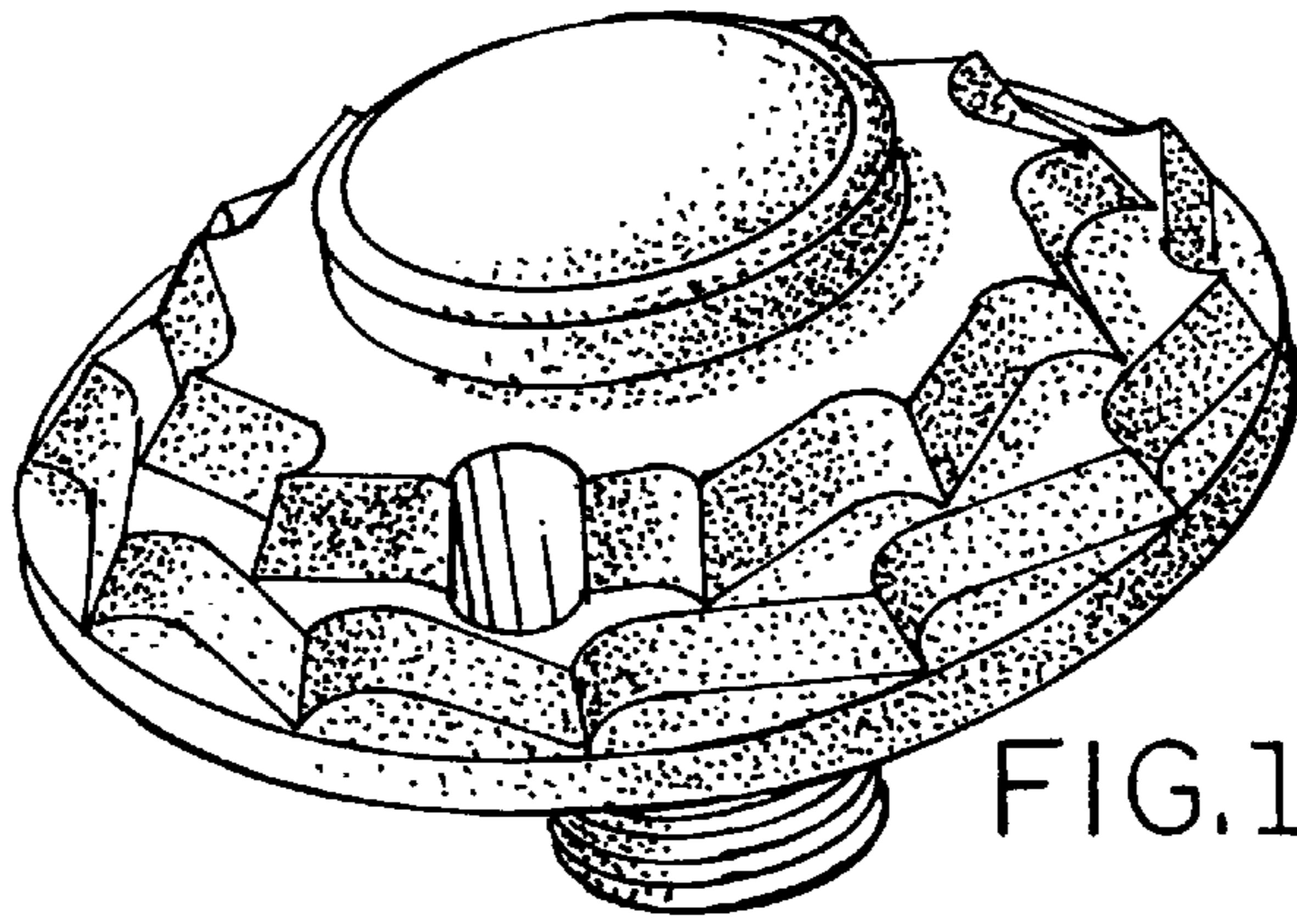


FIG.1

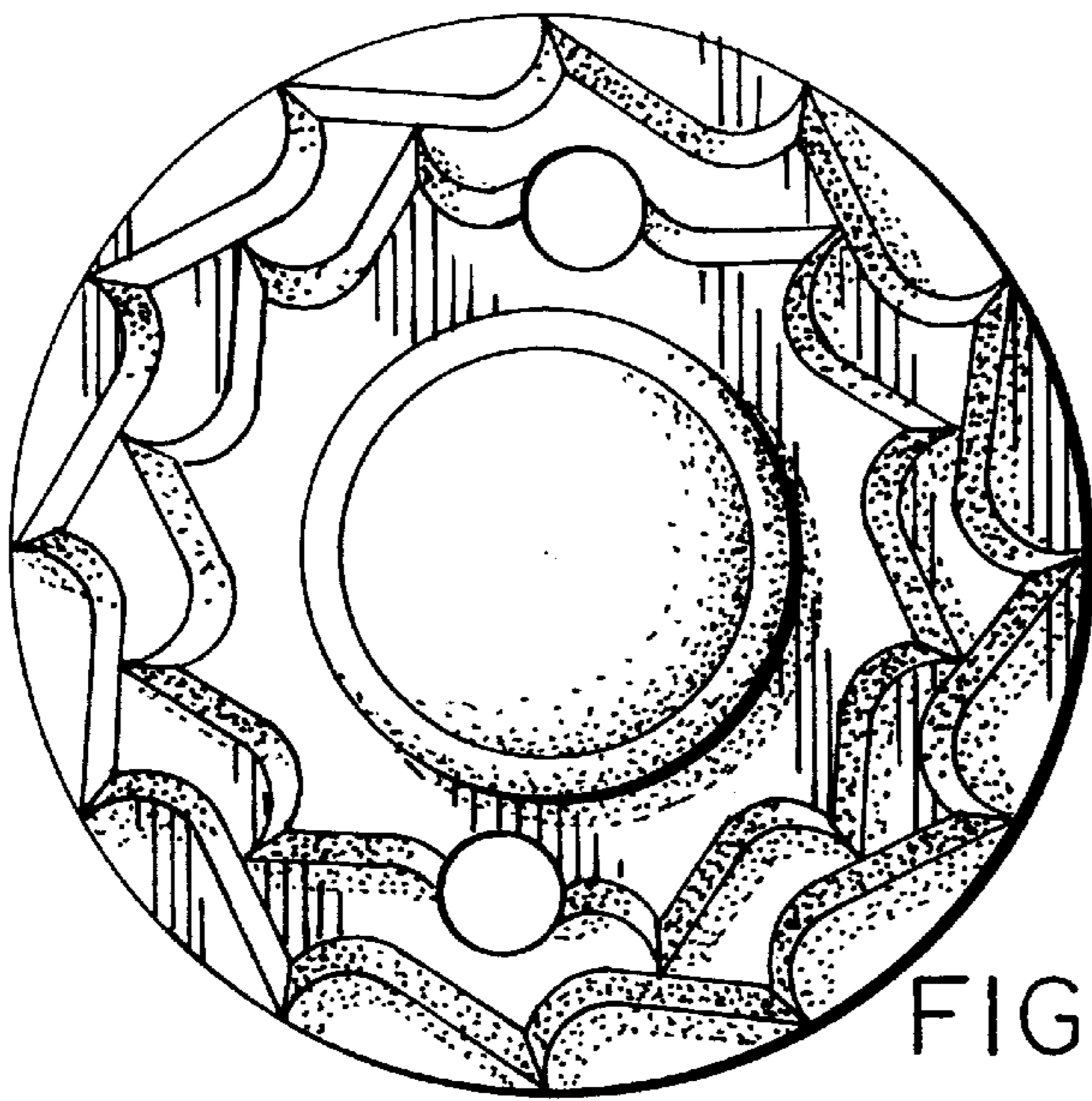


FIG.2

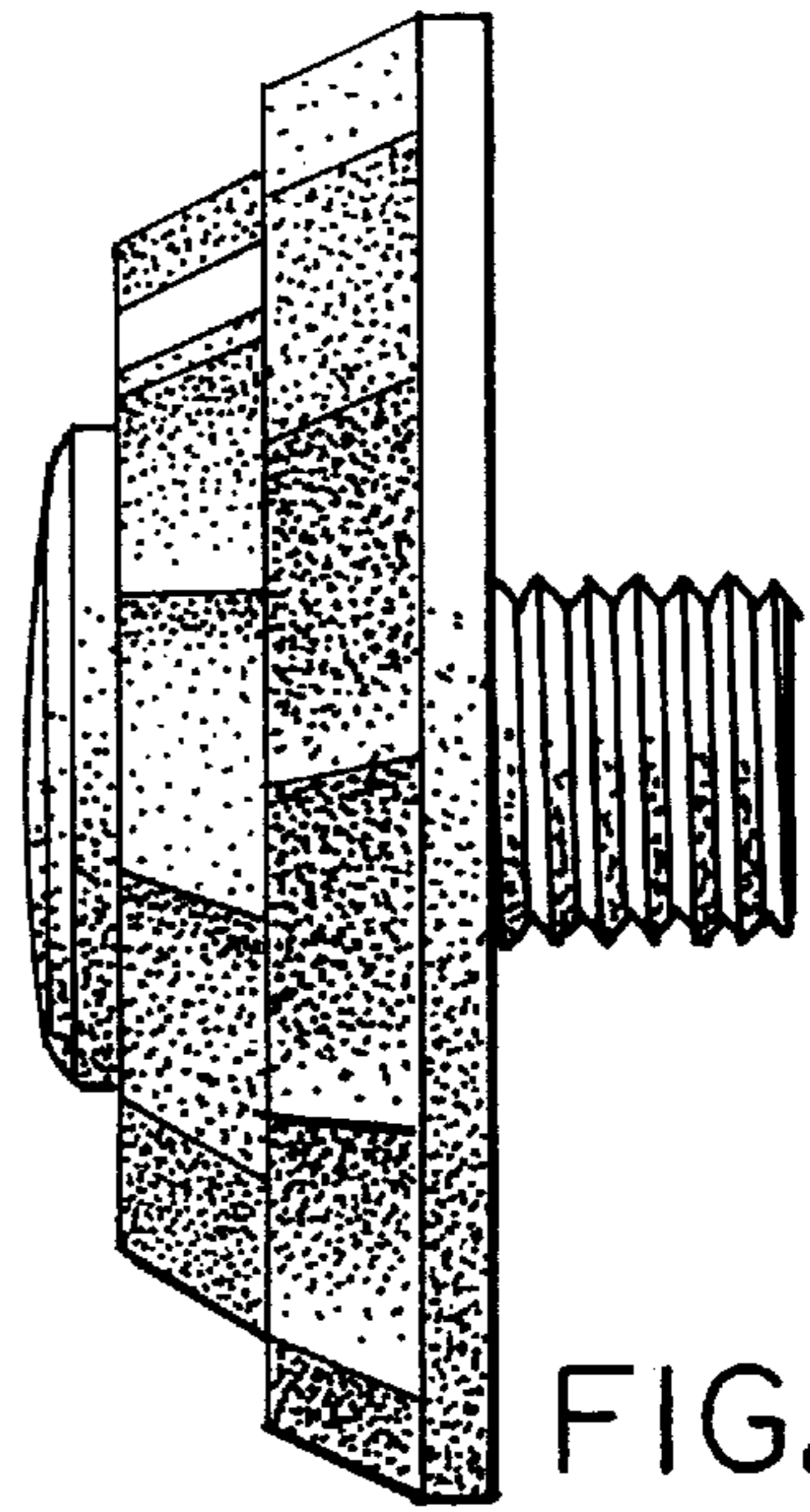


FIG.3

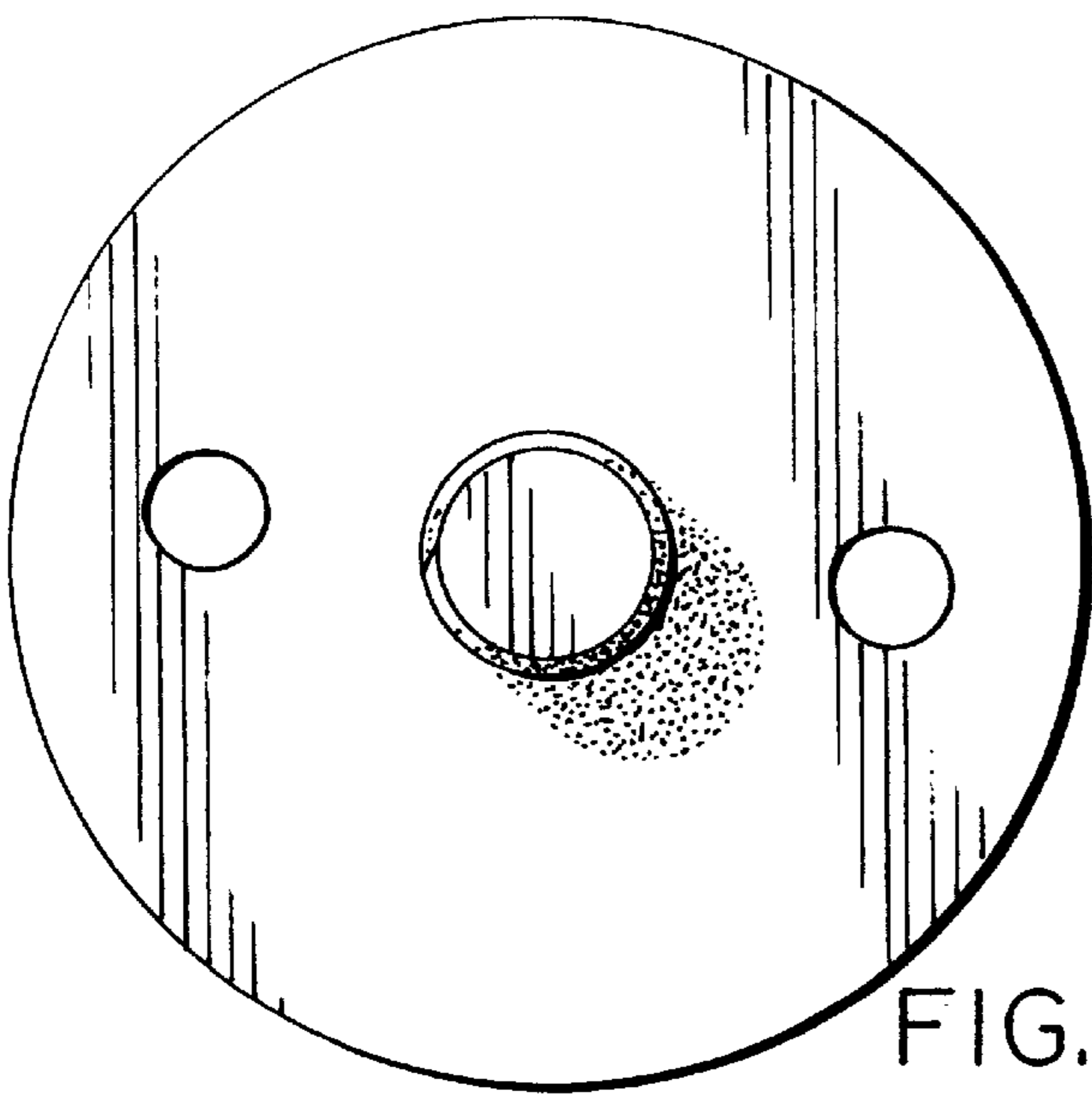


FIG.4

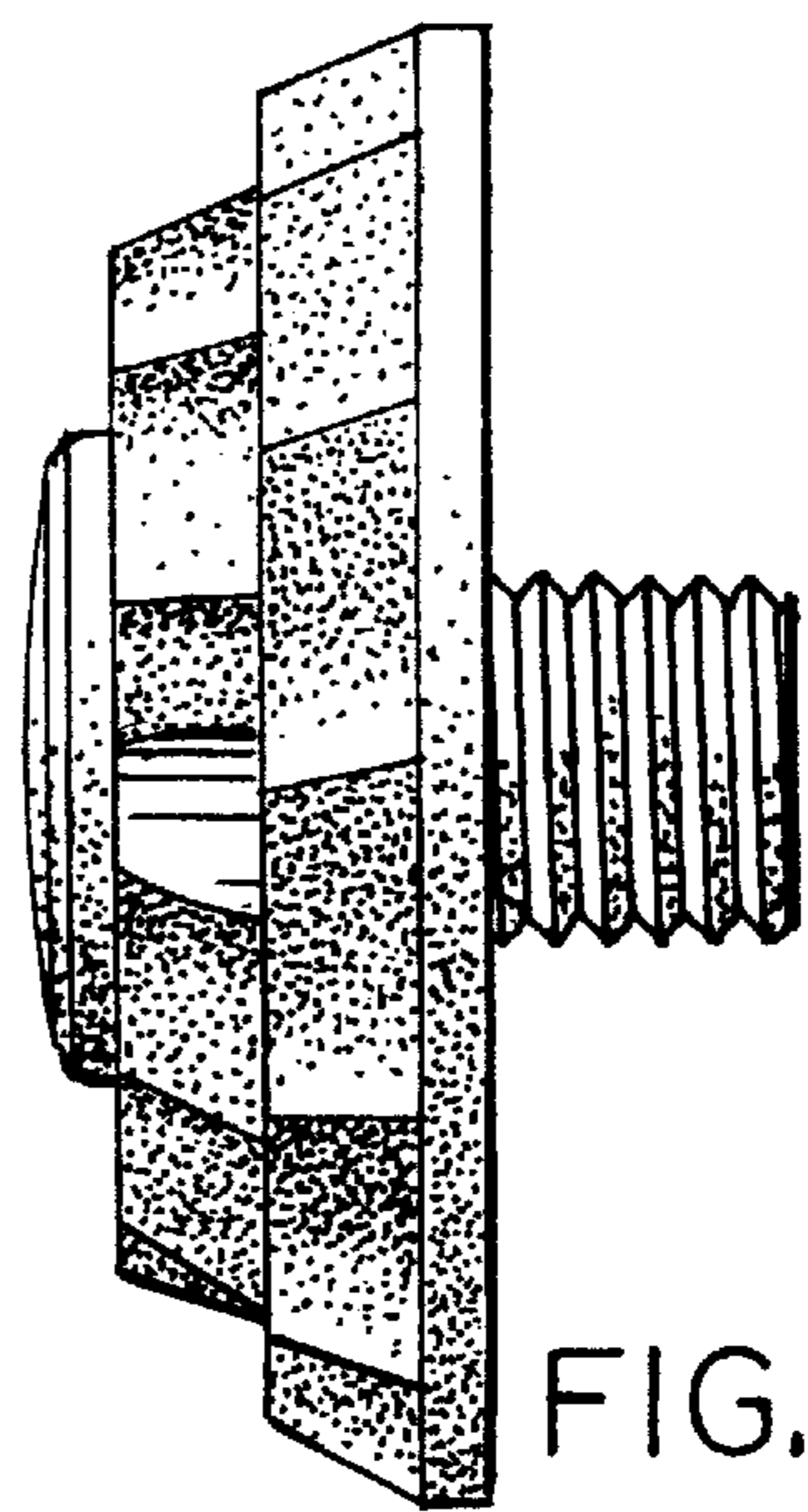


FIG.5