

US00D401738S

United States Patent [19]
Scerbo

[11] **Patent Number:** **Des. 401,738**

[45] **Date of Patent:** ****Dec. 1, 1998**

[54] **LOGO PANEL CAP**

[76] Inventor: **James Scerbo**, 1041 Ridge St. A-21,
Phillipsburg, N.J. 08865

[**] Term: **14 Years**

[21] Appl. No.: **70,232**

[22] Filed: **May 2, 1997**

[51] **LOC (6) Cl.** **02-03**

[52] **U.S. Cl.** **D2/882; D2/884**

[58] **Field of Search** D2/865, 866, 884,
D2/887, 882; 2/195.1, 171, 181

[56] **References Cited**

U.S. PATENT DOCUMENTS

2,677,827	5/1954	Lockhart	D2/887	X
4,873,726	10/1989	Tapia	2/195.1	
5,070,545	12/1991	Tapia	2/195.1	X
5,107,548	4/1992	Dotzenrod	2/195.1	X
5,253,368	10/1993	Blake	2/195.1	X
5,359,733	11/1994	Brannon et al.	2/195.1	
5,359,734	11/1994	Rathburn	2/195.1	

5,373,586	12/1994	Brosnan	2/195.1
5,437,062	8/1995	Douglas	2/195.1
5,454,120	10/1995	Rowlands	2/195.1

Primary Examiner—Paula A. Mortimer

[57] **CLAIM**

The ornamental design for a logo panel cap, as shown.

DESCRIPTION

FIG. 1 is a front elevational view of a logo panel cap showing my new design;

FIG. 2 is a rear elevational view thereof;

FIG. 3 is a right side view of the logo panel cap of FIG. 1;

FIG. 4 is a left side view of the logo panel cap of FIG. 1;

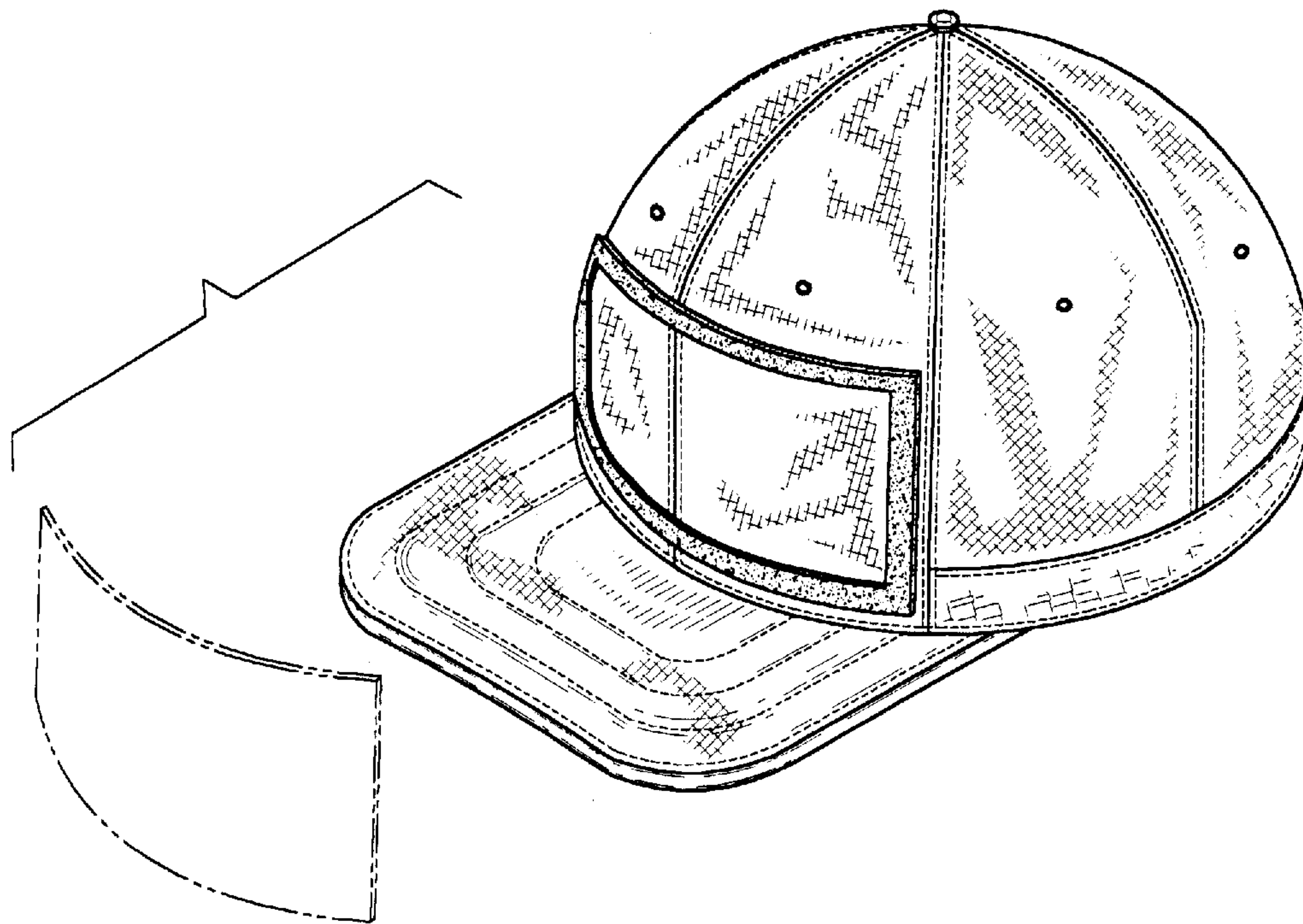
FIG. 5 is a top plan view of the logo panel cap of FIG. 1;

FIG. 6 is a bottom plan view of the logo panel cap of FIG. 1; and,

FIG. 7 is a top, front, right side perspective view of the logo panel cap of FIG. 1.

The broken line showing of panel in FIG. 7 is for illustrative purposes only and forms no part of the claimed design.

1 Claim, 4 Drawing Sheets



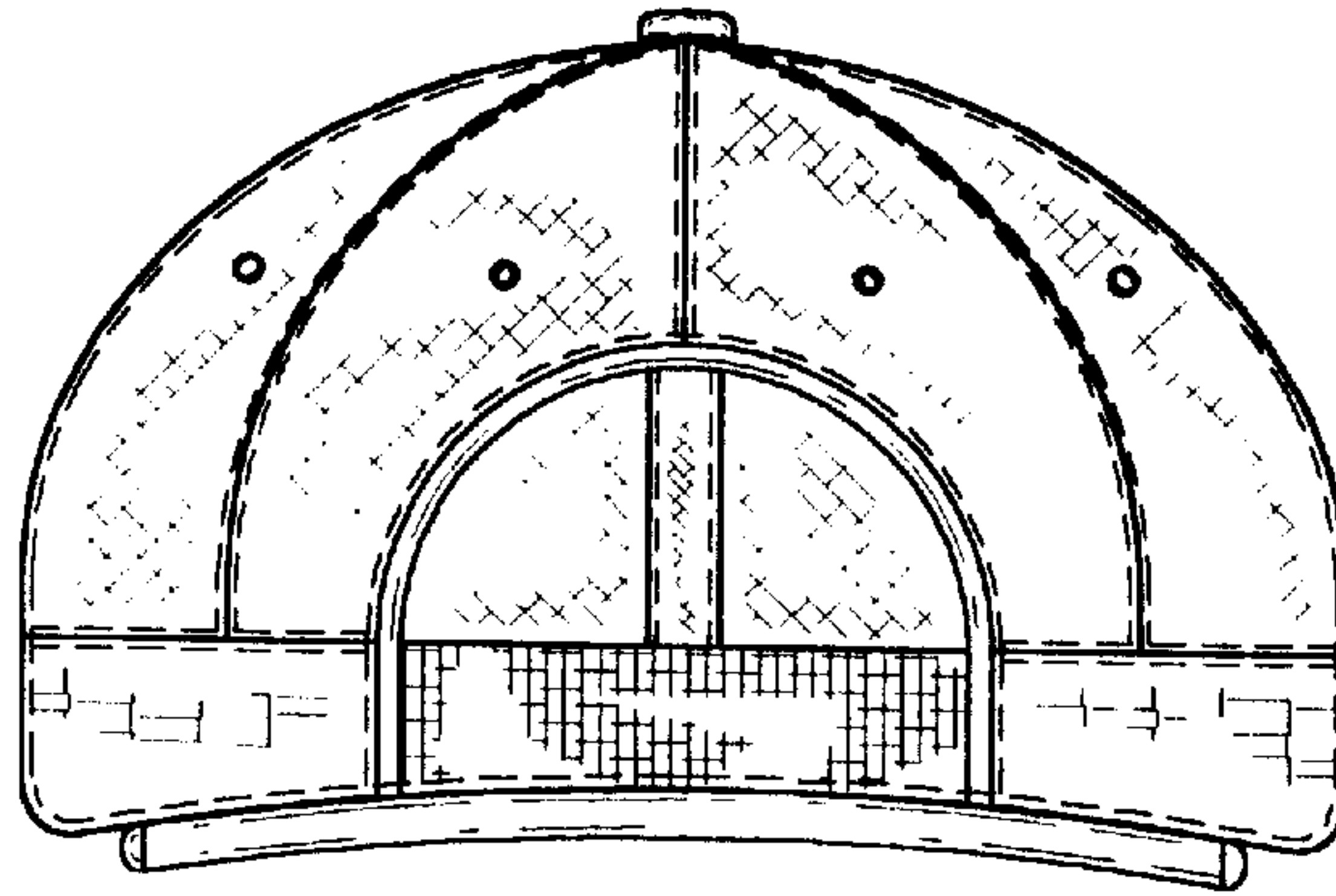


Fig. 2

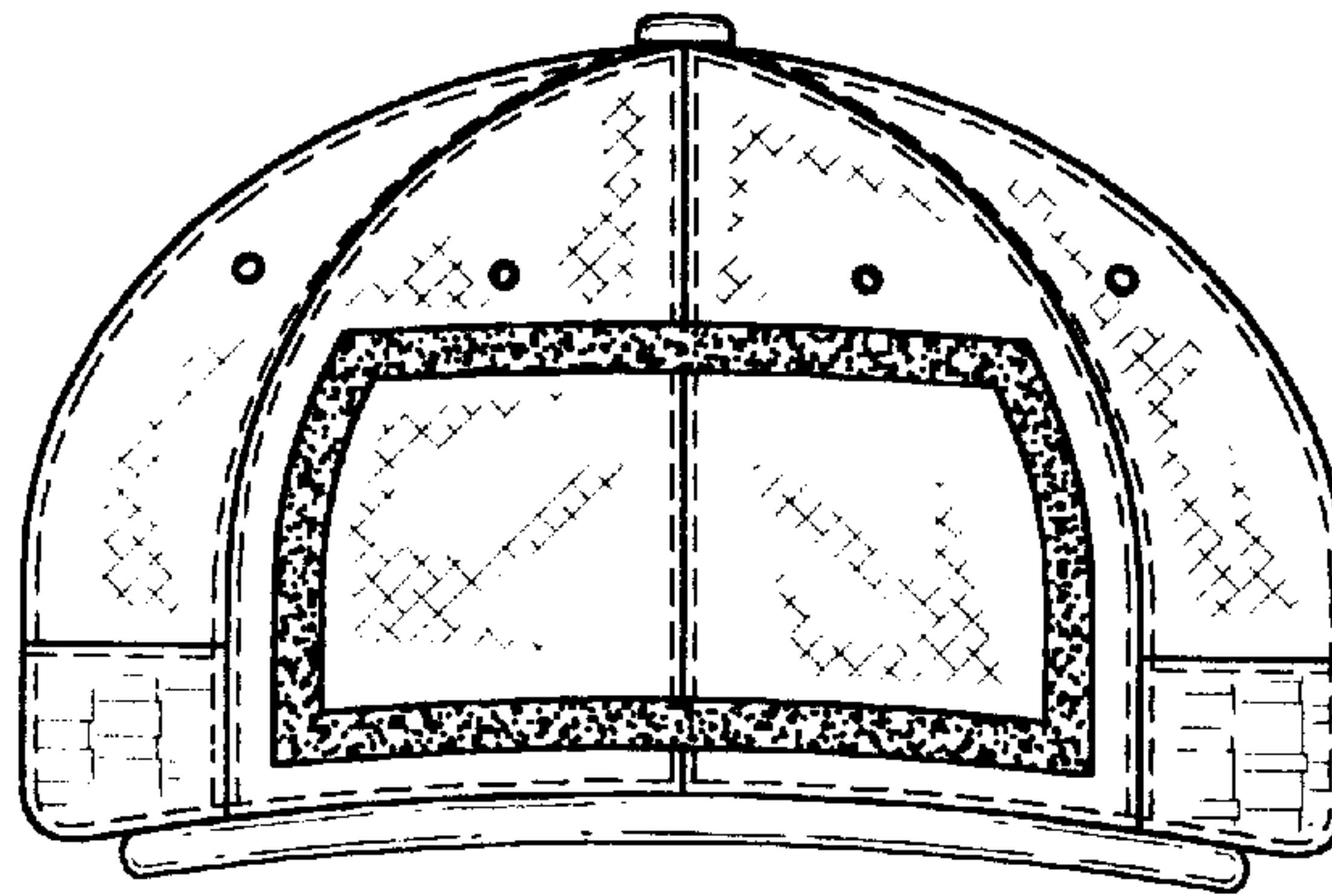


Fig. 1

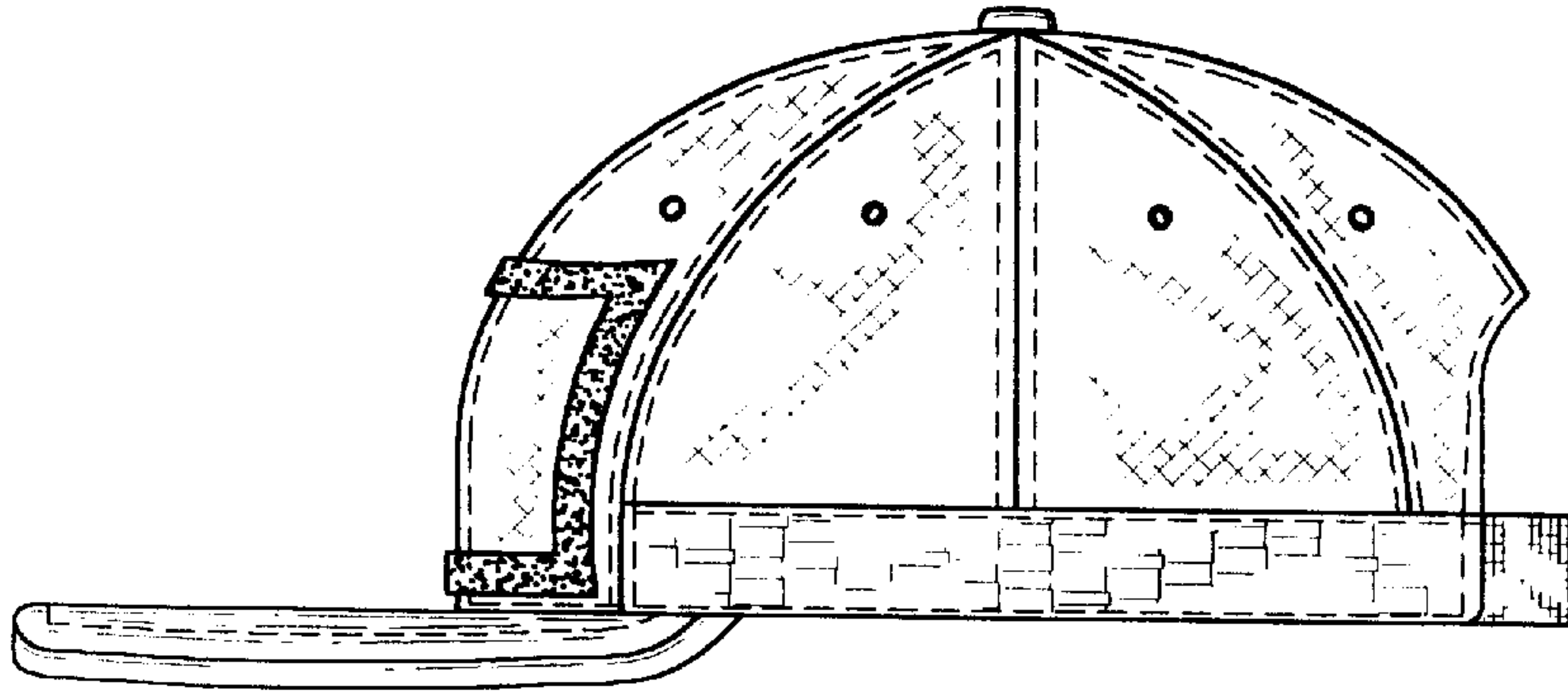


Fig. 4

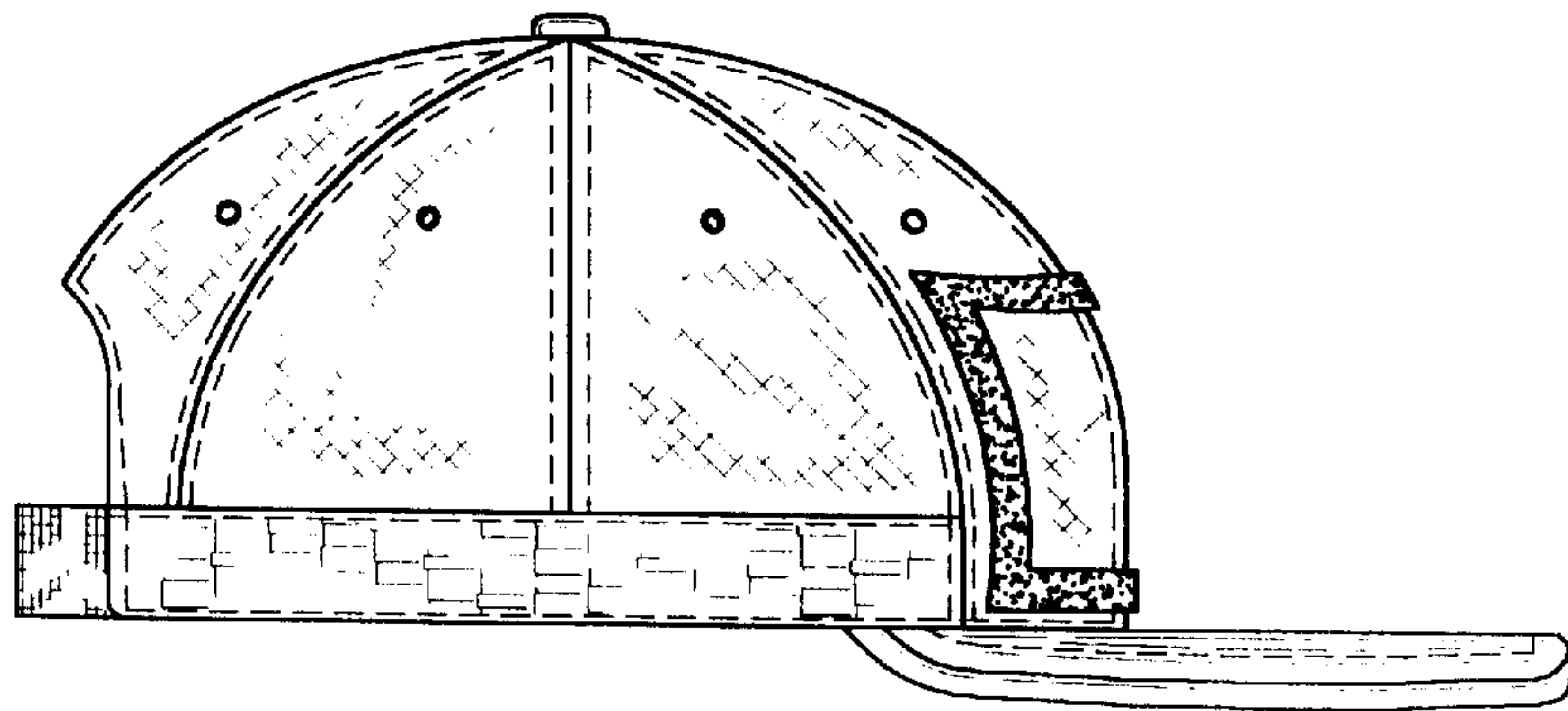


Fig. 3

Fig. 5

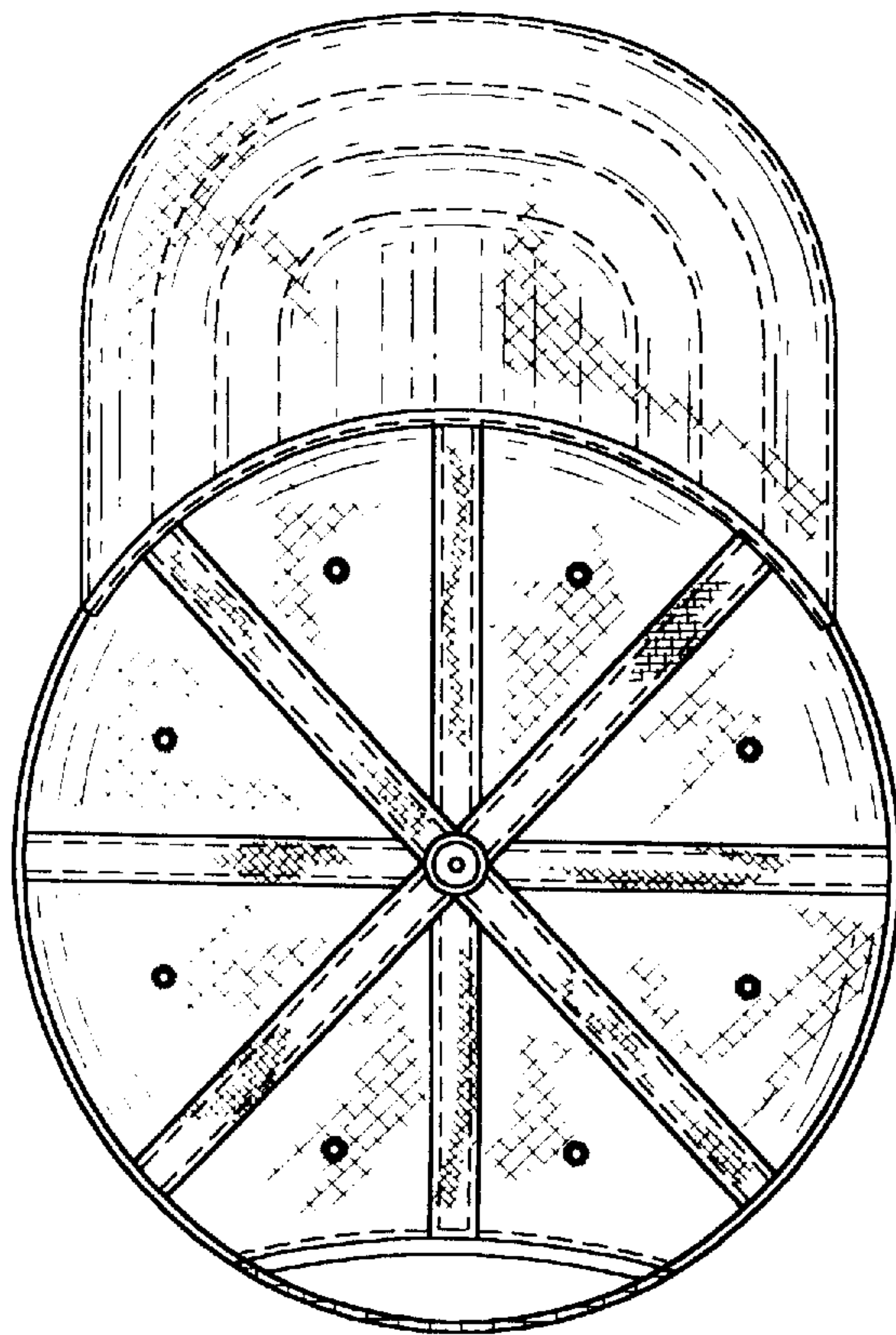
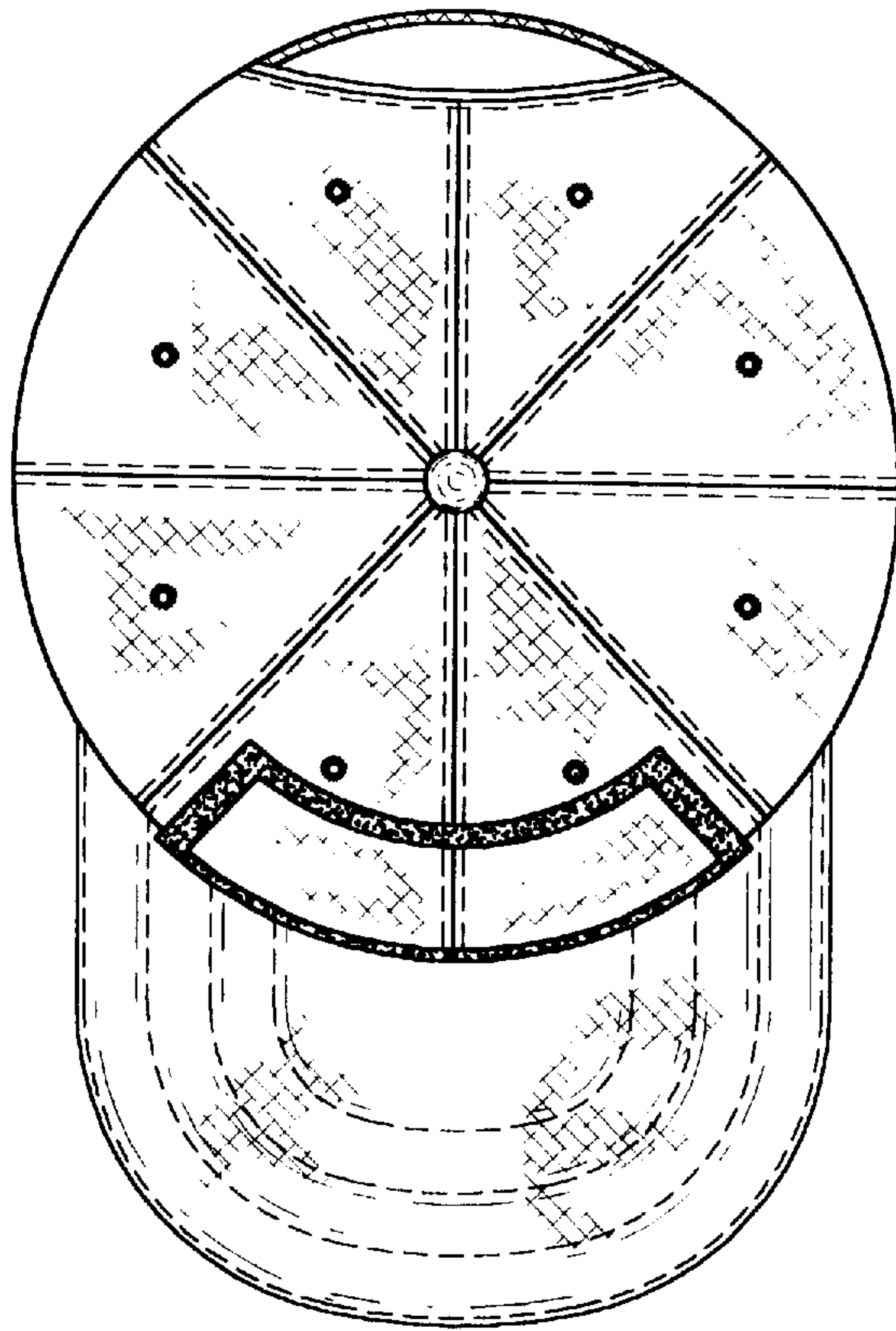


Fig. 6

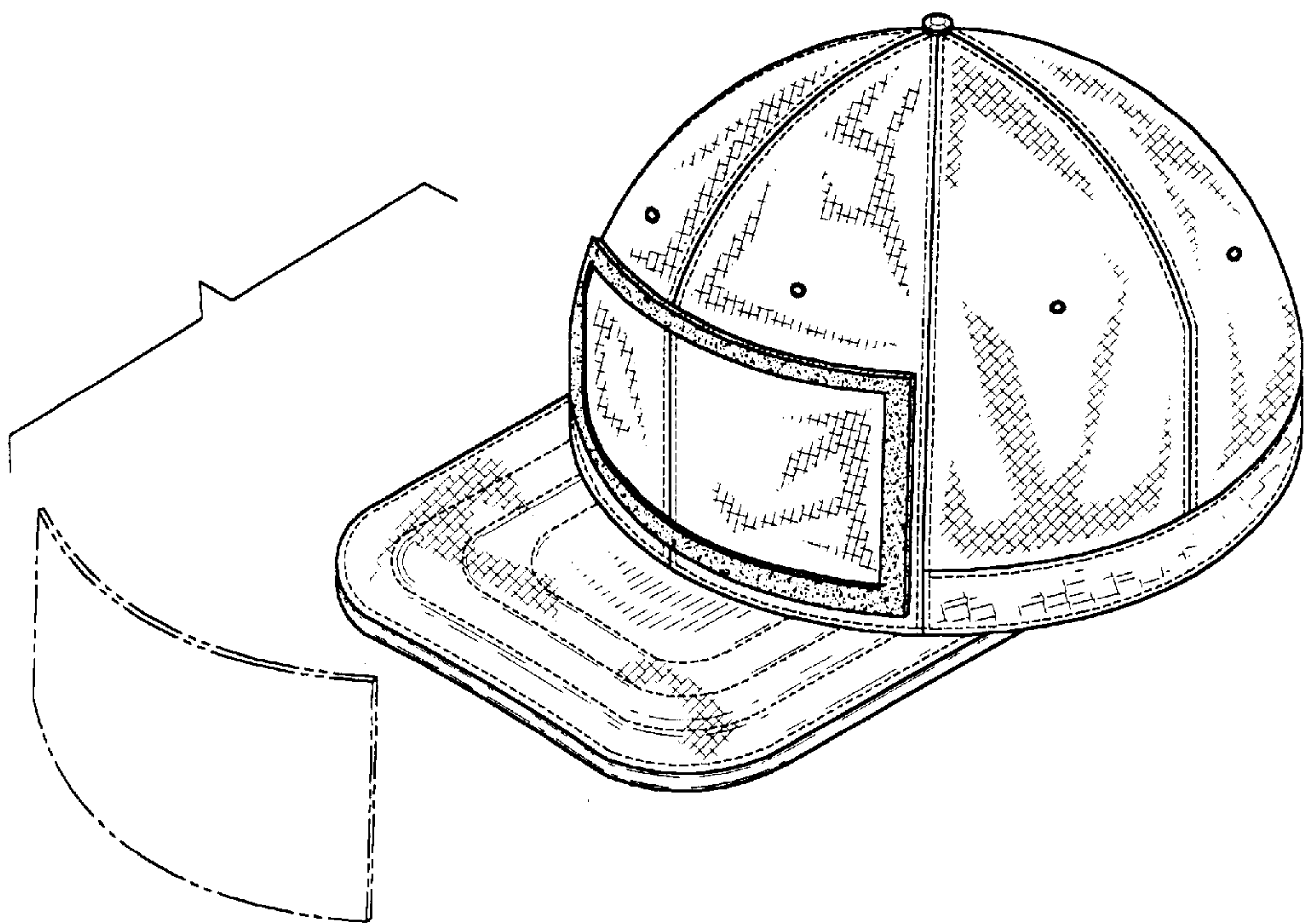


Fig. 7