



US00D401734S

United States Patent [19] Monk

[11] **Patent Number: Des. 401,734**

[45] **Date of Patent: **Nov. 24, 1998**

[54] **COMMUNION TRAY**

[75] Inventor: **Ellis E. Monk**, Altoona, Iowa

[73] Assignee: **Artistic Manufacturing Corporation**,
Altoona, Iowa

[**] Term: **14 Years**

[21] Appl. No.: **72,339**

[22] Filed: **Jun. 13, 1997**

[51] **LOC (6) Cl.** **07-01**

[52] **U.S. Cl.** **D99/25; D7/554**

[58] **Field of Search** **D99/25; D7/552,**
D7/557, 553, 554; 206/19, 426, 503, 562;
220/23.8, 506

[56] **References Cited**

U.S. PATENT DOCUMENTS

D. 23,901	12/1894	Howe	D99/25
D. 138,433	8/1944	Lindblad	D99/25
D. 140,393	2/1945	Lindblad	D99/25
D. 238,329	1/1976	Davis	D99/25
D. 242,201	11/1976	Davis	D99/25
D. 242,202	11/1976	Davis	D99/25
697,247	4/1902	Harris	D7/552 X

982,351	1/1911	Cree et al.	D7/552 X
1,061,026	5/1913	Thomas	D7/552 X
1,199,987	10/1916	Husted	206/19
1,949,285	2/1934	Porter	D7/557 X

OTHER PUBLICATIONS

Photographs of Artistic Manufacturing Corporation's own device CIRCA 1962.

Primary Examiner—Paula A. Mortimer
Attorney, Agent, or Firm—Zarley, McKee, Thomte,
Voorhees, & Sease

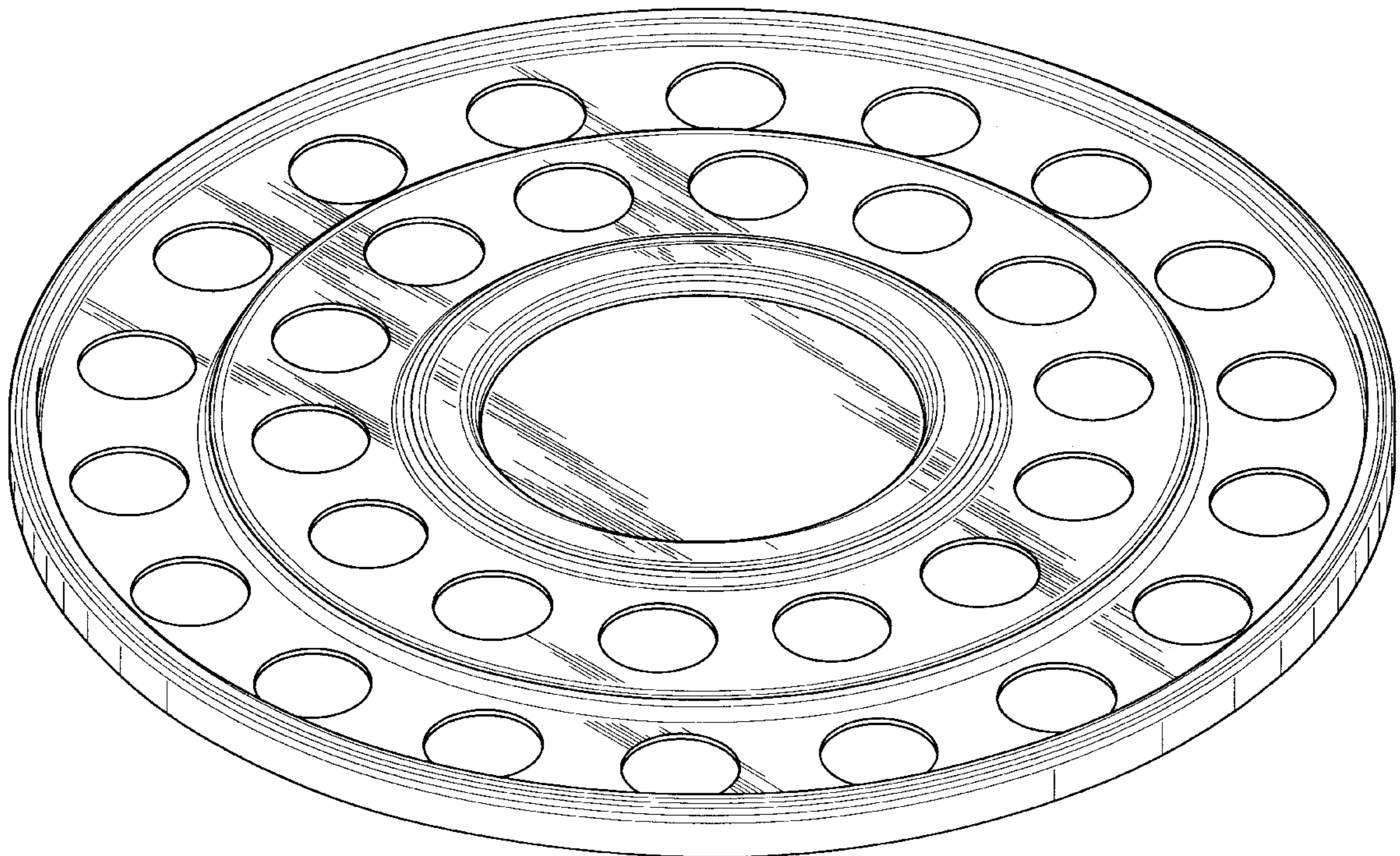
[57] **CLAIM**

The ornamental design for a communion tray, as shown.

DESCRIPTION

FIG. 1 is an upper perspective view of a communion tray showing my new design;
FIG. 2 is a reduced scale top plan view thereof;
FIG. 3 is a typical side elevational view thereof;
FIG. 4 is a reduced scale bottom plan view thereof; and,
FIG. 5 is an enlarged scale sectional view thereof taken on line 5—5 of FIG. 2 and more fully illustrates the contours of a communion tray.

1 Claim, 4 Drawing Sheets



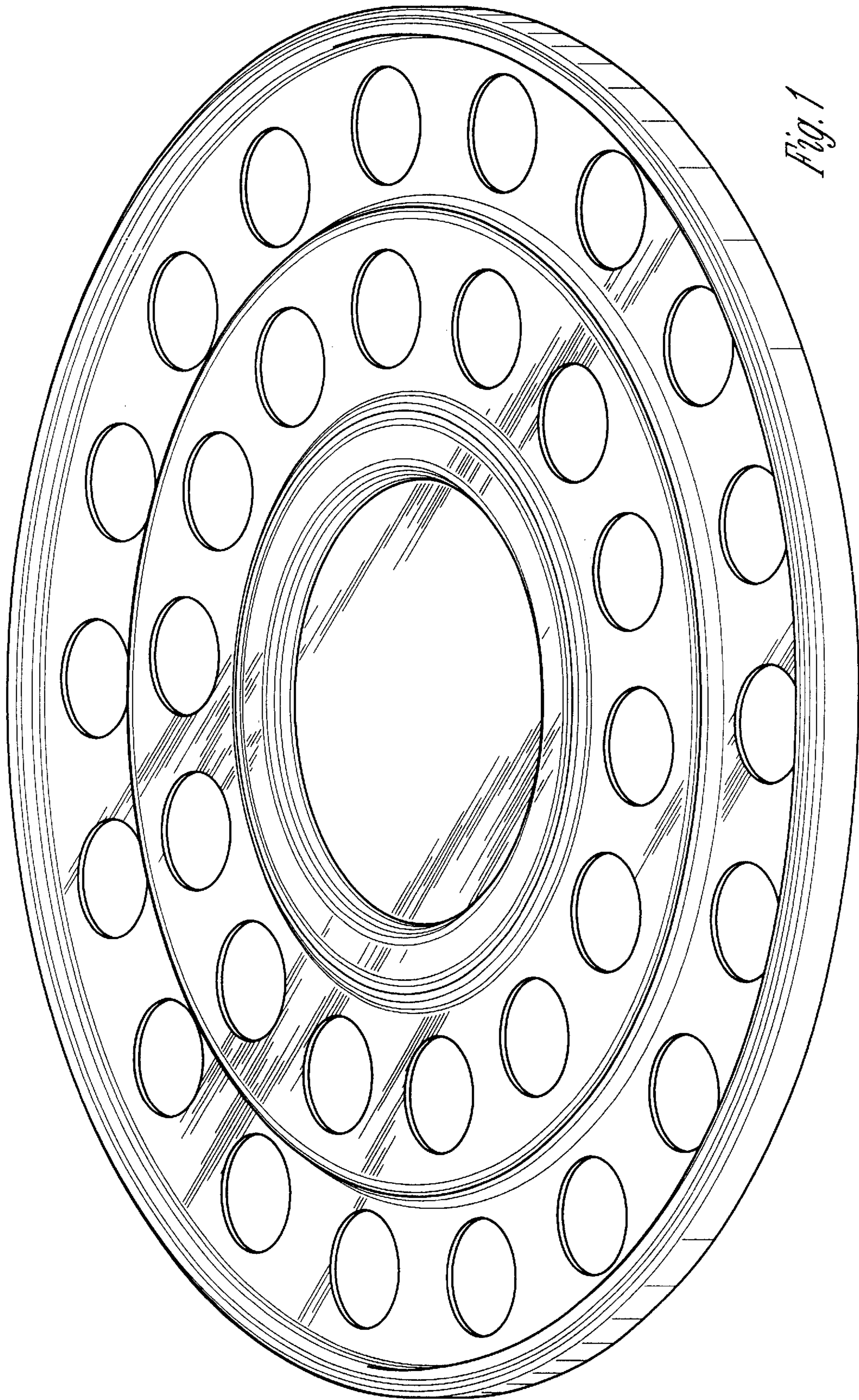


Fig. 1

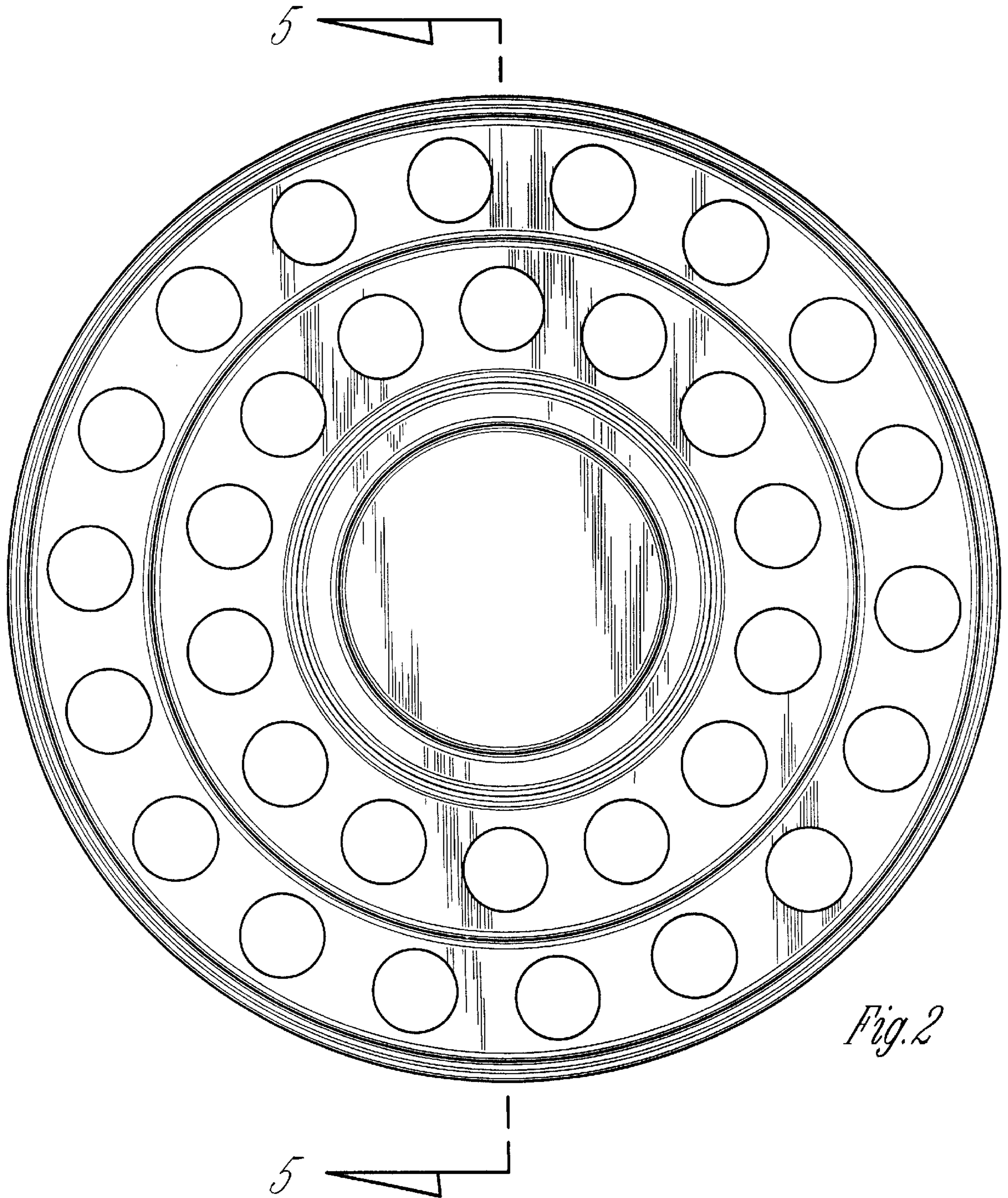




Fig. 3

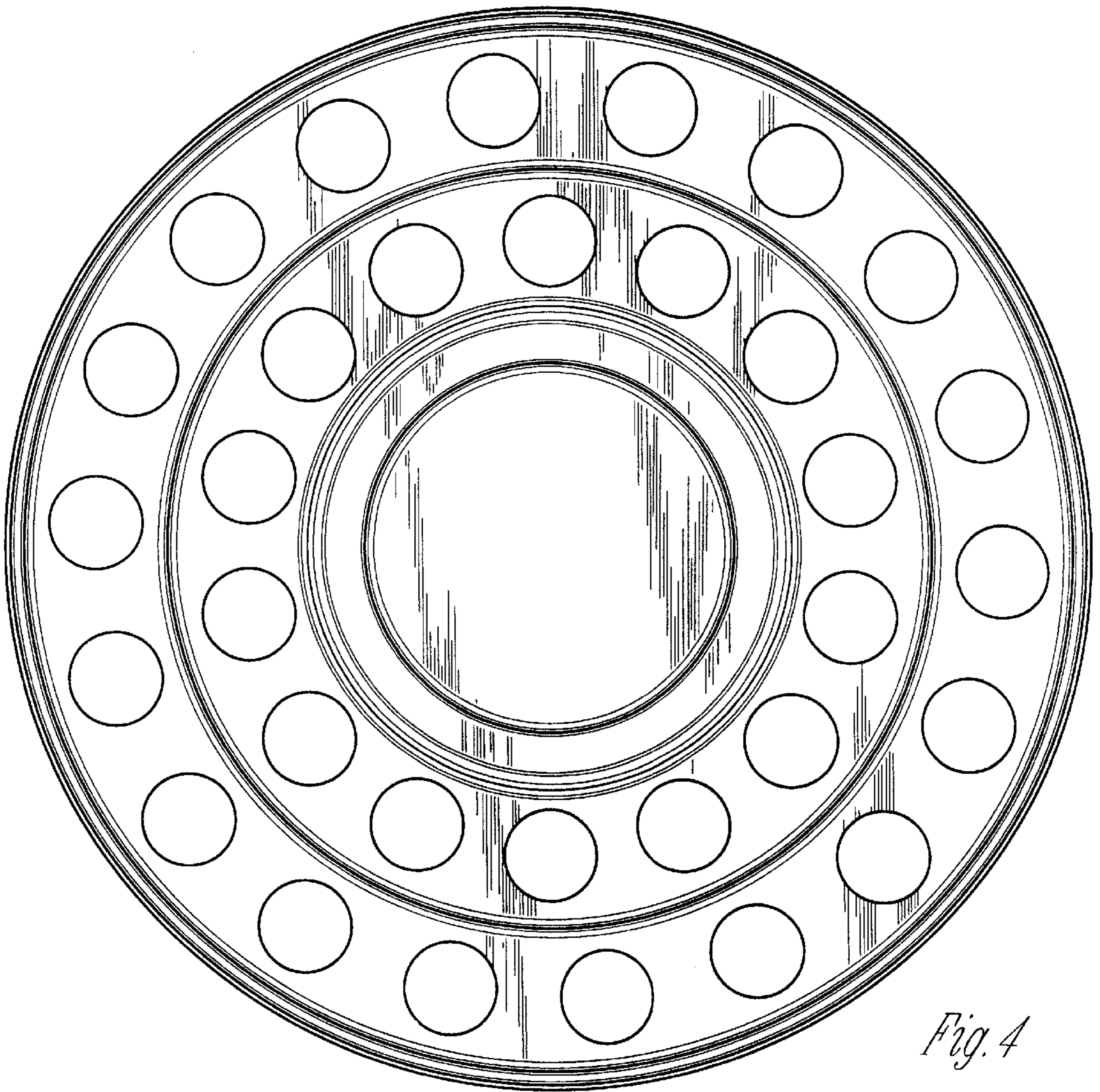


Fig. 4

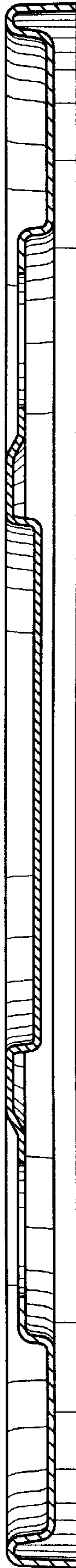


Fig. 5