



US00D401730S

United States Patent [19]

Liao

[11] Patent Number: **Des. 401,730**

[45] Date of Patent: ****Nov. 24, 1998**

[54] **UTILITY TRAY FOR GOLF CLUB CARTS**

D. 391,730	3/1998	Wang	D34/15
3,128,021	4/1964	Habbena	224/274
5,435,474	7/1995	Lin	224/274

[75] Inventor: **Gordon Liao, Yung Kang, Taiwan**

[73] Assignee: **Unique Product & Design Co., Ltd., Tainan Hsien, Taiwan**

Primary Examiner—Kay H. Chin
Attorney, Agent, or Firm—Pro-Techtor International Services

[**] Term: **14 Years**

[57] CLAIM

[21] Appl. No.: **75,523**

The ornamental design for an utility tray for golf club carts, as shown.

[22] Filed: **Aug. 20, 1997**

[51] **LOC (6) Cl.** **12-02**

[52] **U.S. Cl.** **D34/27; D3/257; D34/15**

[58] **Field of Search** **D34/15, 27; D3/257, D3/259; 224/274, 918, 919; 280/646, DIG. 5, DIG. 6**

DESCRIPTION

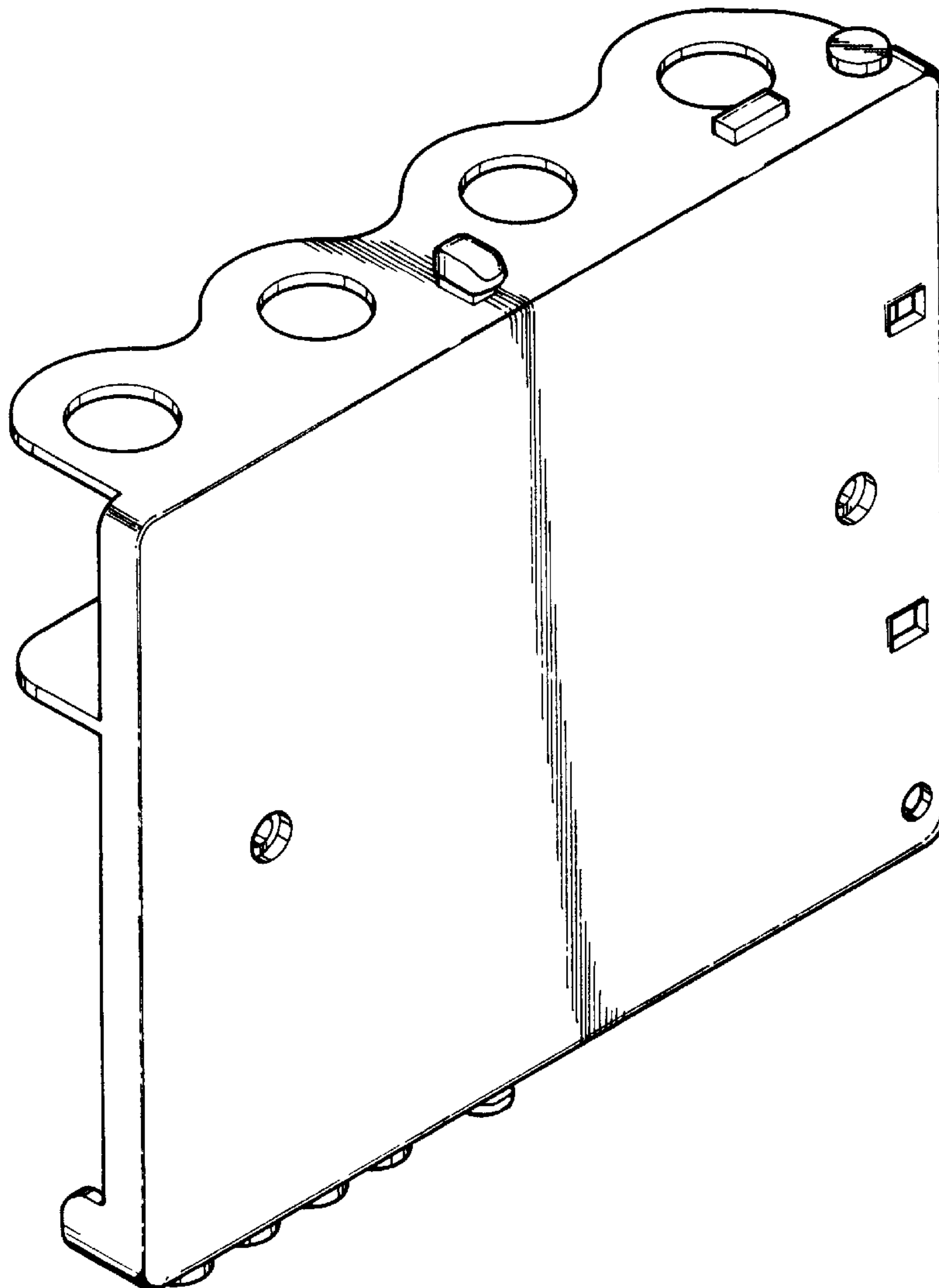
FIG. 1 is a perspective view of an utility tray for golf club carts showing my new design; FIG. 2 is a front elevational view thereof; FIG. 3 is a rear elevational view thereof; FIG. 4 is a left elevational view thereof; FIG. 5 is a right elevational view thereof; FIG. 6 is a top plan view thereof; and, FIG. 7 is a bottom plan view.

[56] References Cited

U.S. PATENT DOCUMENTS

D. 165,661	1/1952	Morris	D34/27
D. 355,948	2/1995	Wu	D34/27

1 Claim, 5 Drawing Sheets



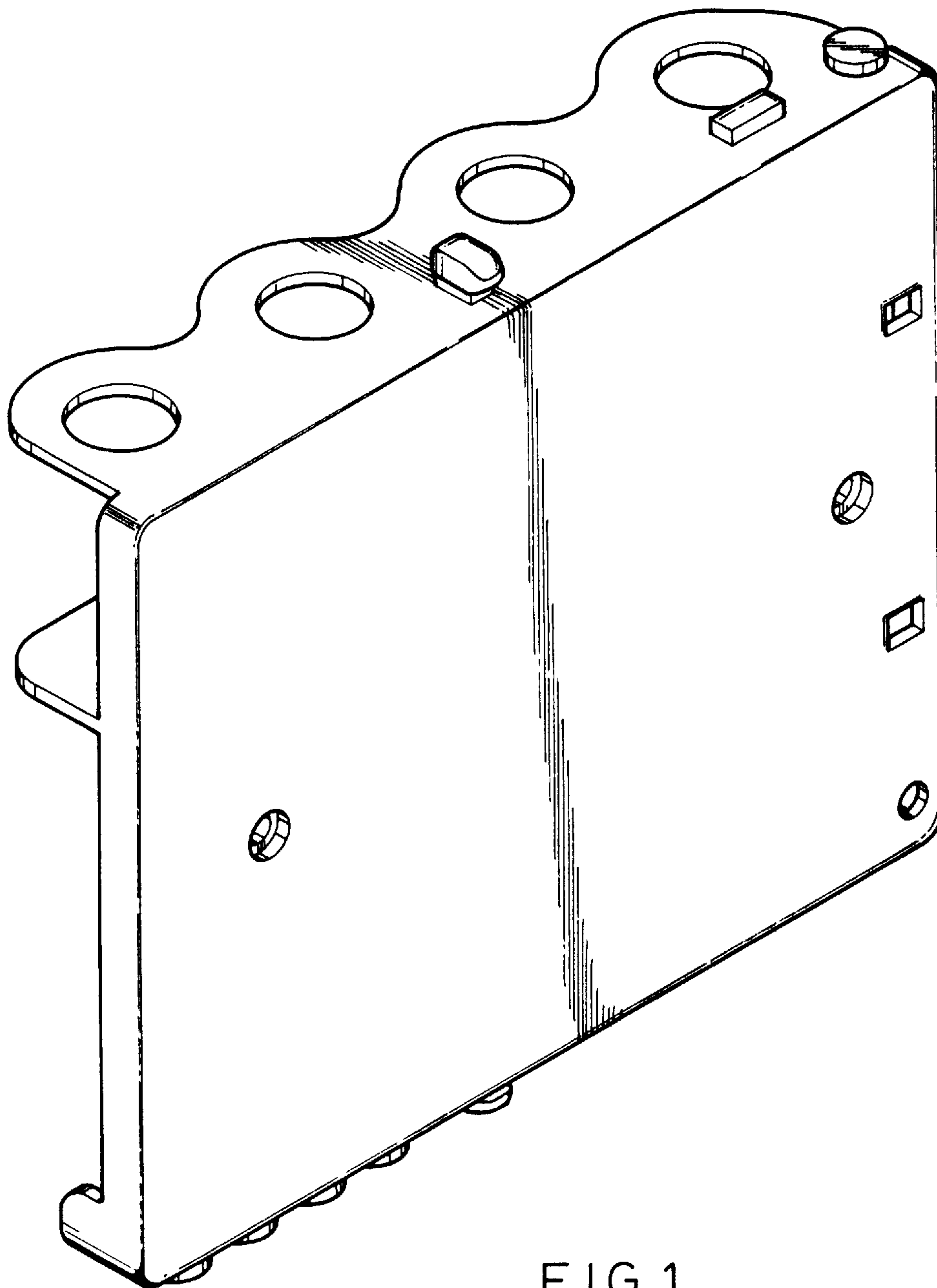


FIG. 1

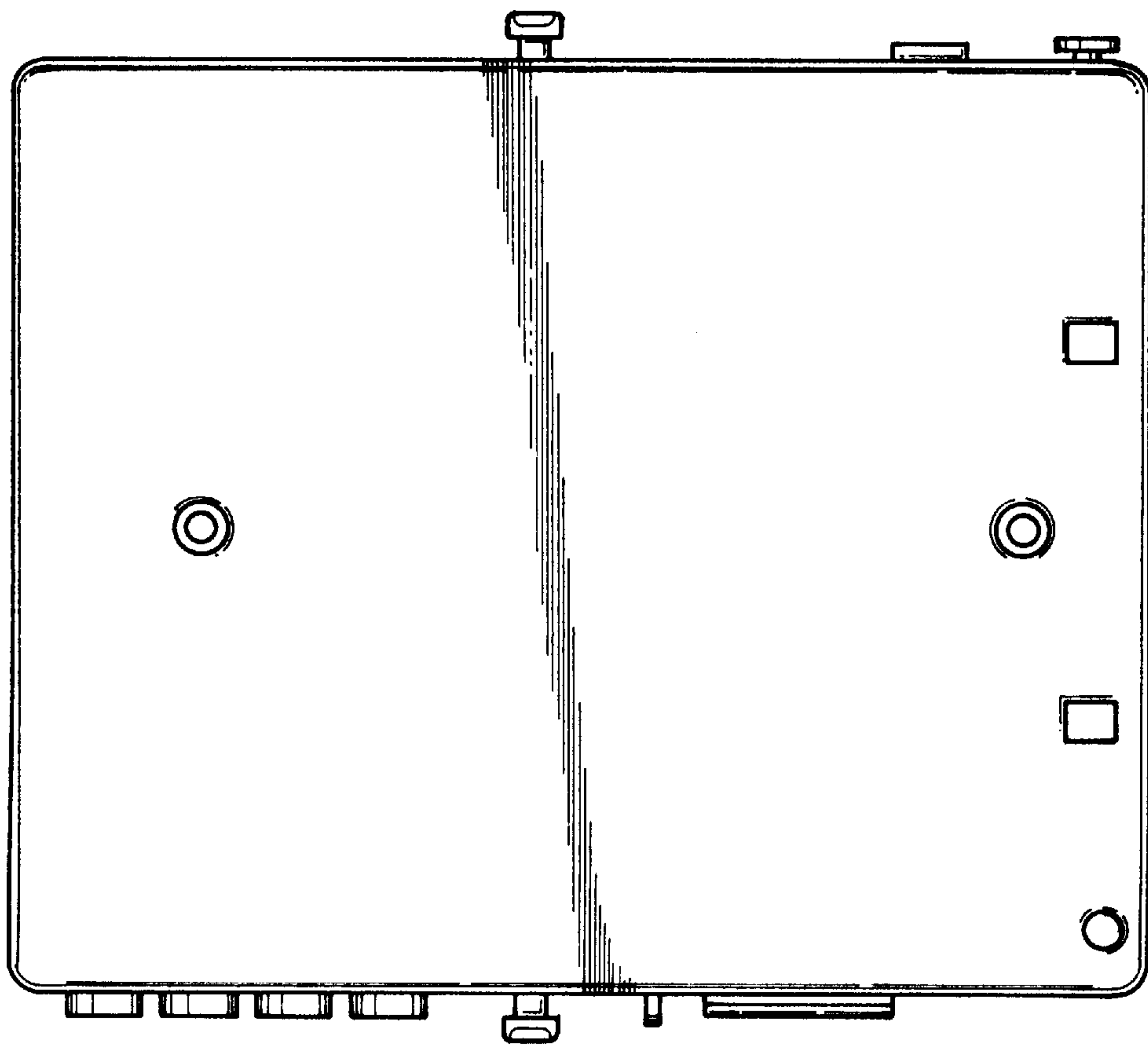


FIG. 2

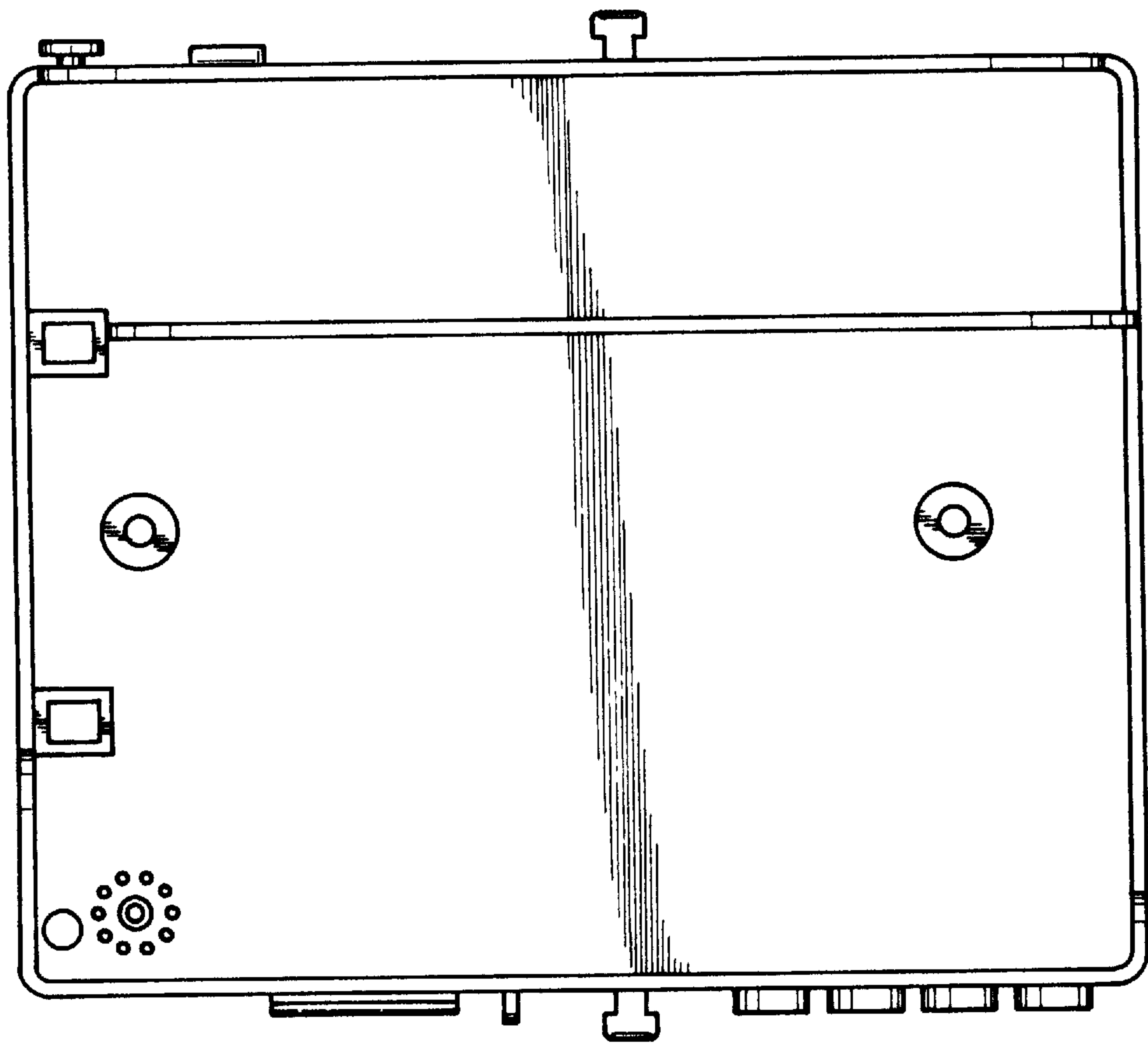


FIG. 3

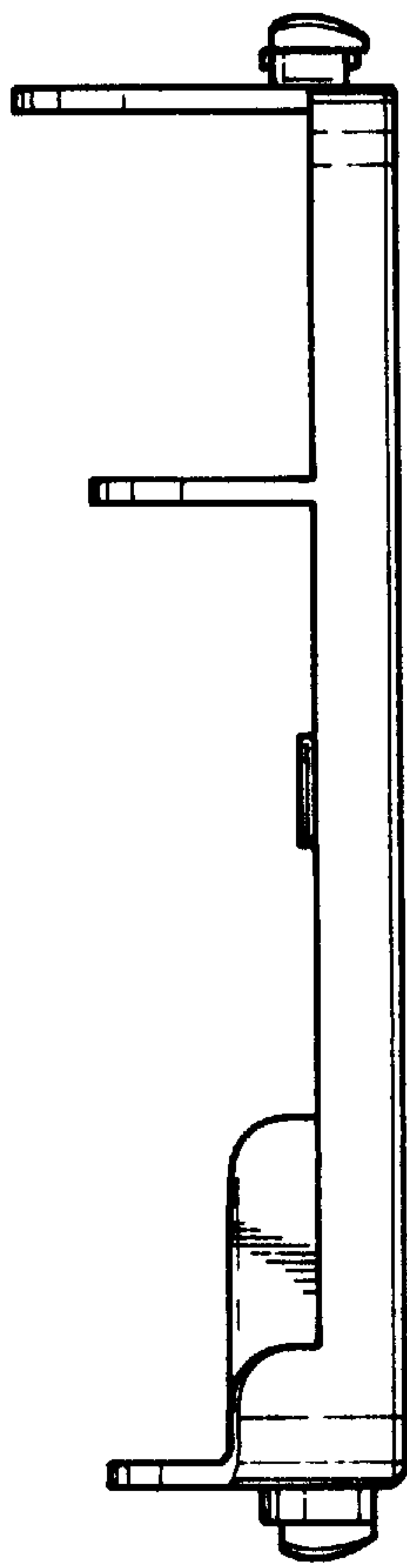


FIG. 4

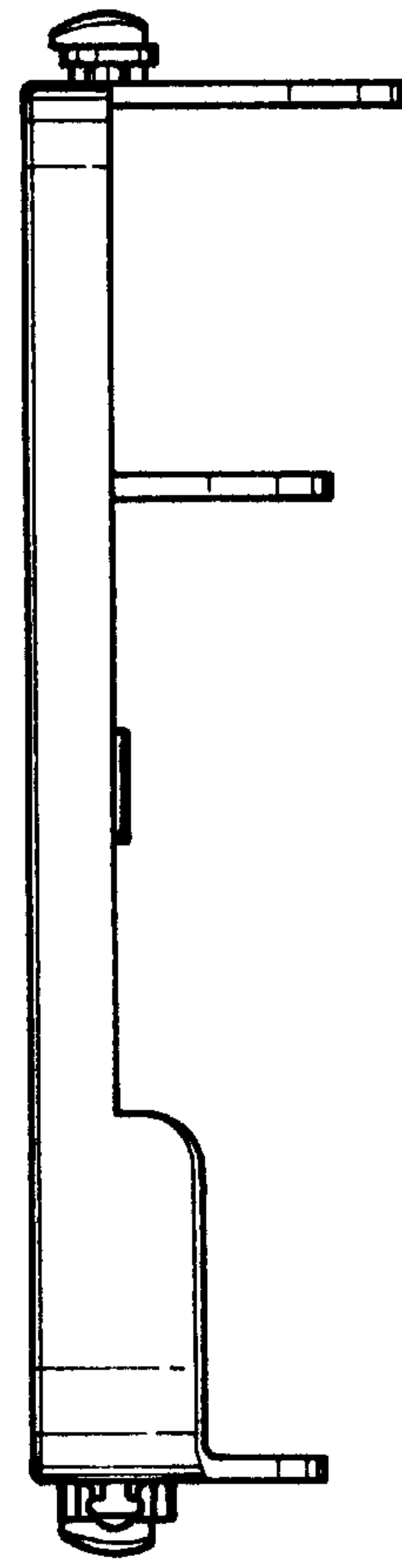


FIG. 5

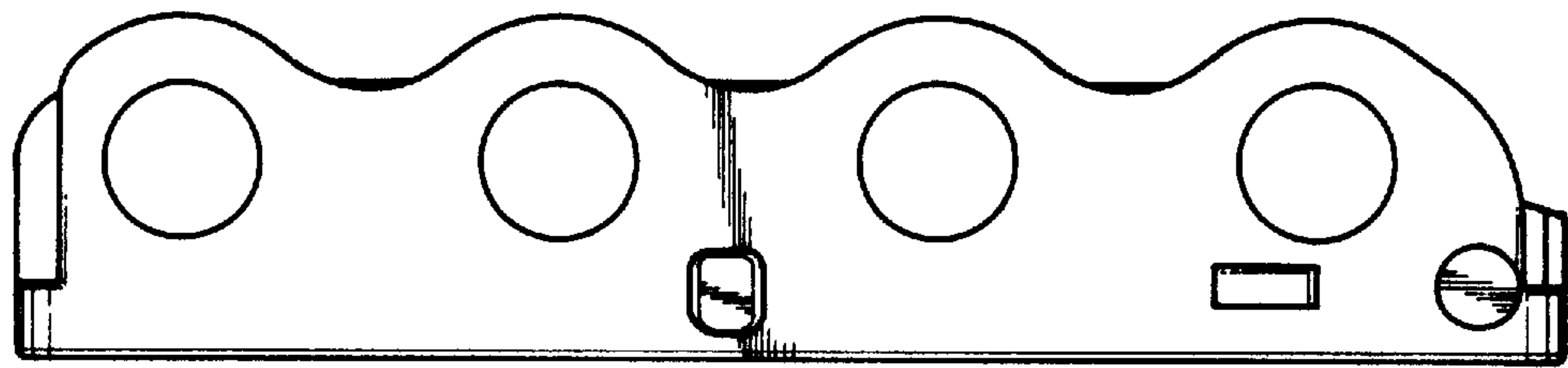


FIG. 6

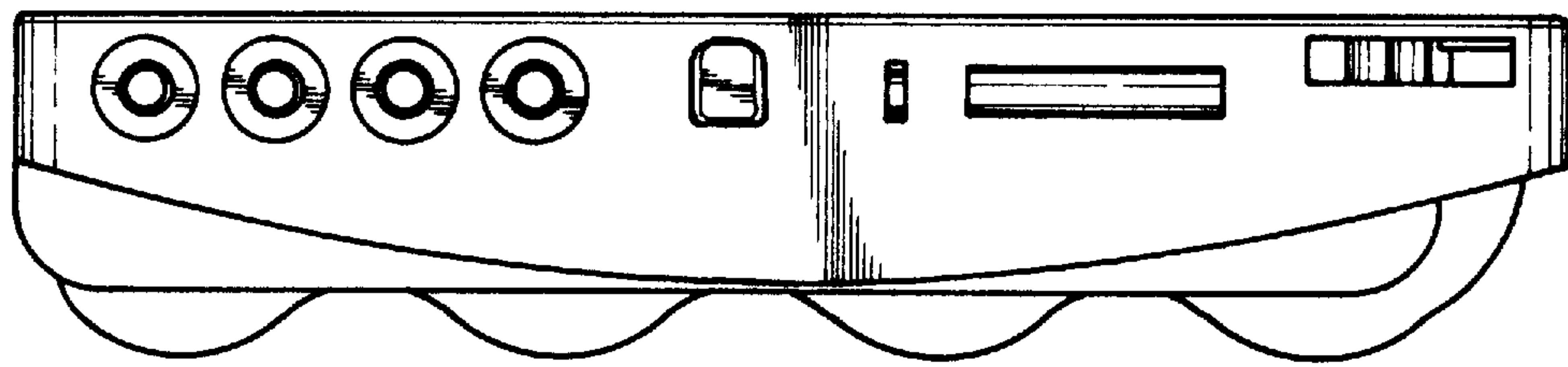


FIG. 7