

US00D401729S

United States Patent [19]
Wu

[11] **Patent Number: Des. 401,729**
[45] **Date of Patent: **Nov. 24, 1998**

[54] **TOOL CART**

D. 366,549 1/1996 Yu D34/26
4,666,179 5/1987 Adams 280/655
5,433,461 7/1995 Chang 280/37

[75] Inventor: **Meng-Jung Wu**, Tainan Hsien, Taiwan

[73] Assignee: **Yuann Tay Enterprise Co., Ltd.**,
Tainan Hsien, Taiwan

Primary Examiner—Kay H. Chin
Attorney, Agent, or Firm—Rosenberg, Klein & Bilker

[**] Term: **14 Years**

[57] **CLAIM**

[21] Appl. No.: **85,224**

The ornamental design for a tool cart, as shown and described.

[22] Filed: **Mar. 18, 1998**

DESCRIPTION

[51] **LOC (6) Cl.** **12-02**

FIG. 1 is a perspective view of a tool cart showing my new design;

[52] **U.S. Cl.** **D34/26; D34/24**

FIG. 2 is a front elevational view thereof;

[58] **Field of Search** D34/12-27; 280/47.24,
280/47.25, 47.26, 47.27, 47.28, 47.29, 652,
654, 655, 659

FIG. 3 is a rear elevational view thereof;

FIG. 4 is a left side elevational view thereof;

FIG. 5 is a right side elevational view thereof;

FIG. 6 is a top plan view thereof; and,

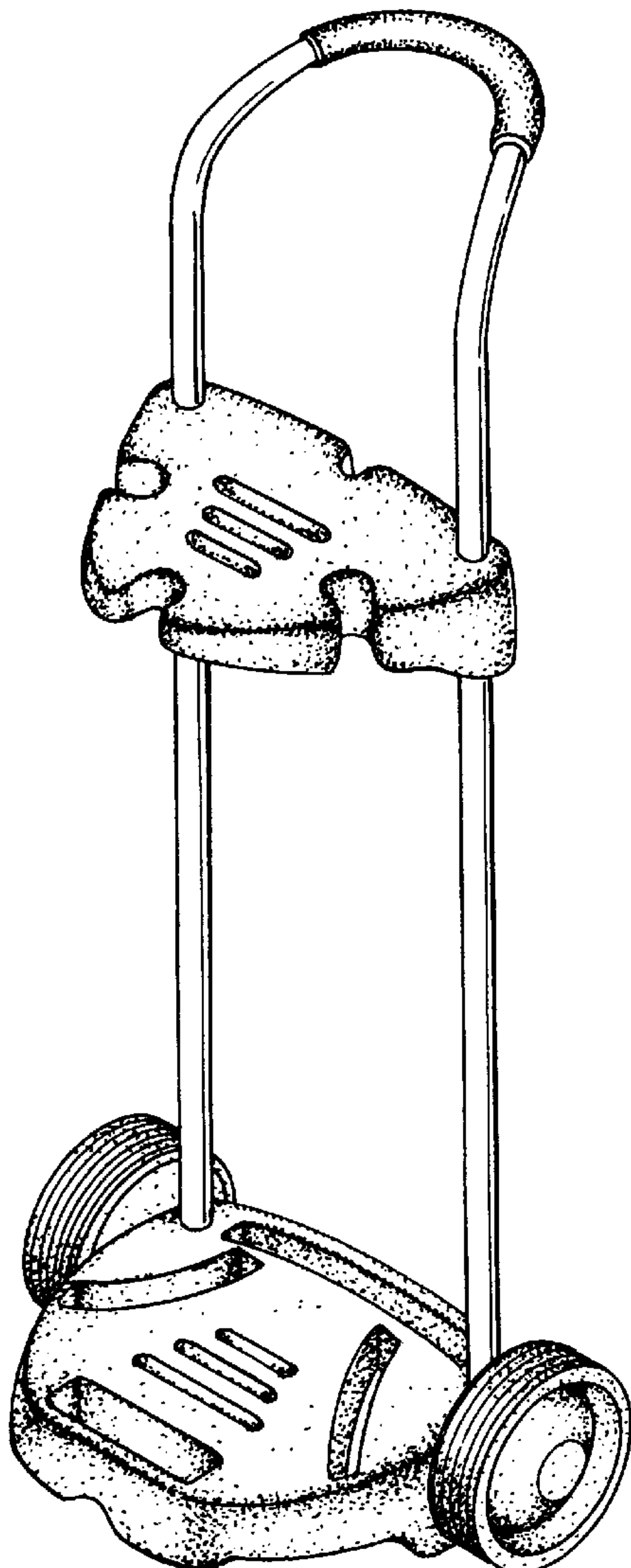
FIG. 7 is a bottom plan view thereof.

[56] **References Cited**

U.S. PATENT DOCUMENTS

D. 365,187 12/1995 Tsai D34/26

1 Claim, 2 Drawing Sheets



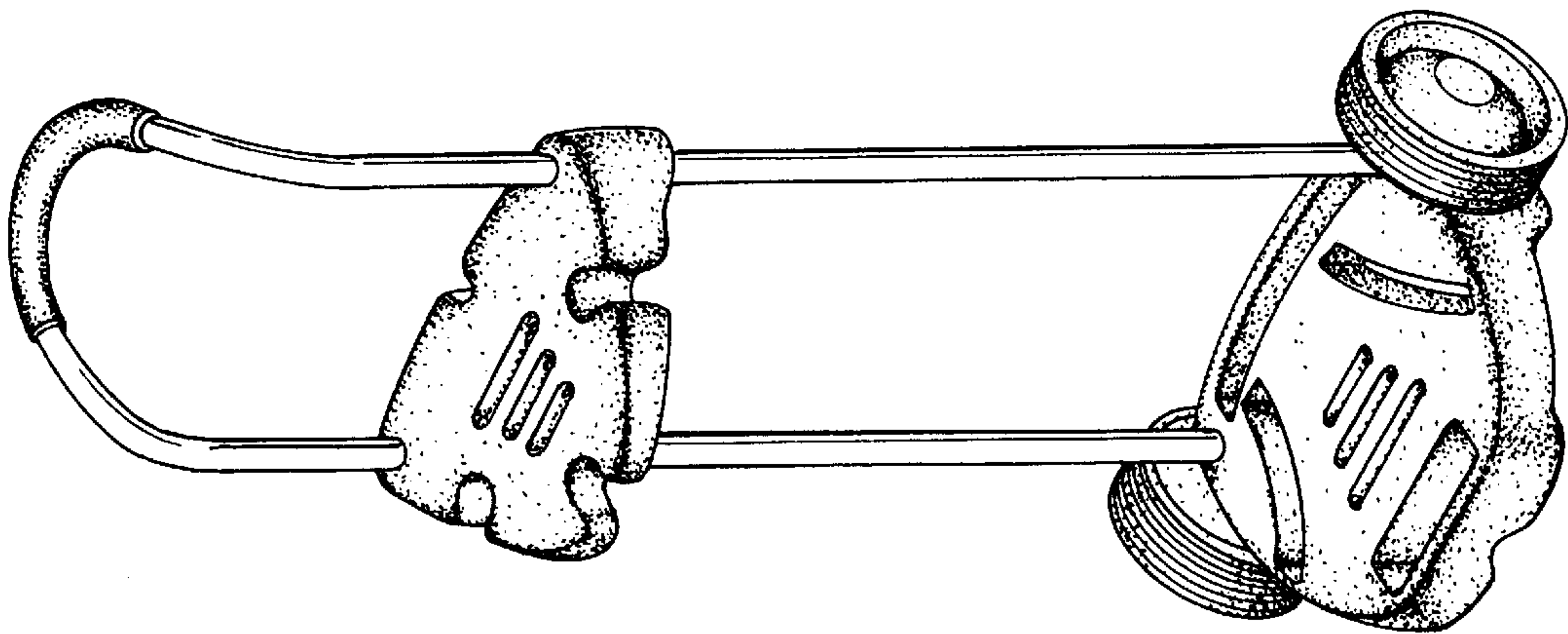


FIG. 1

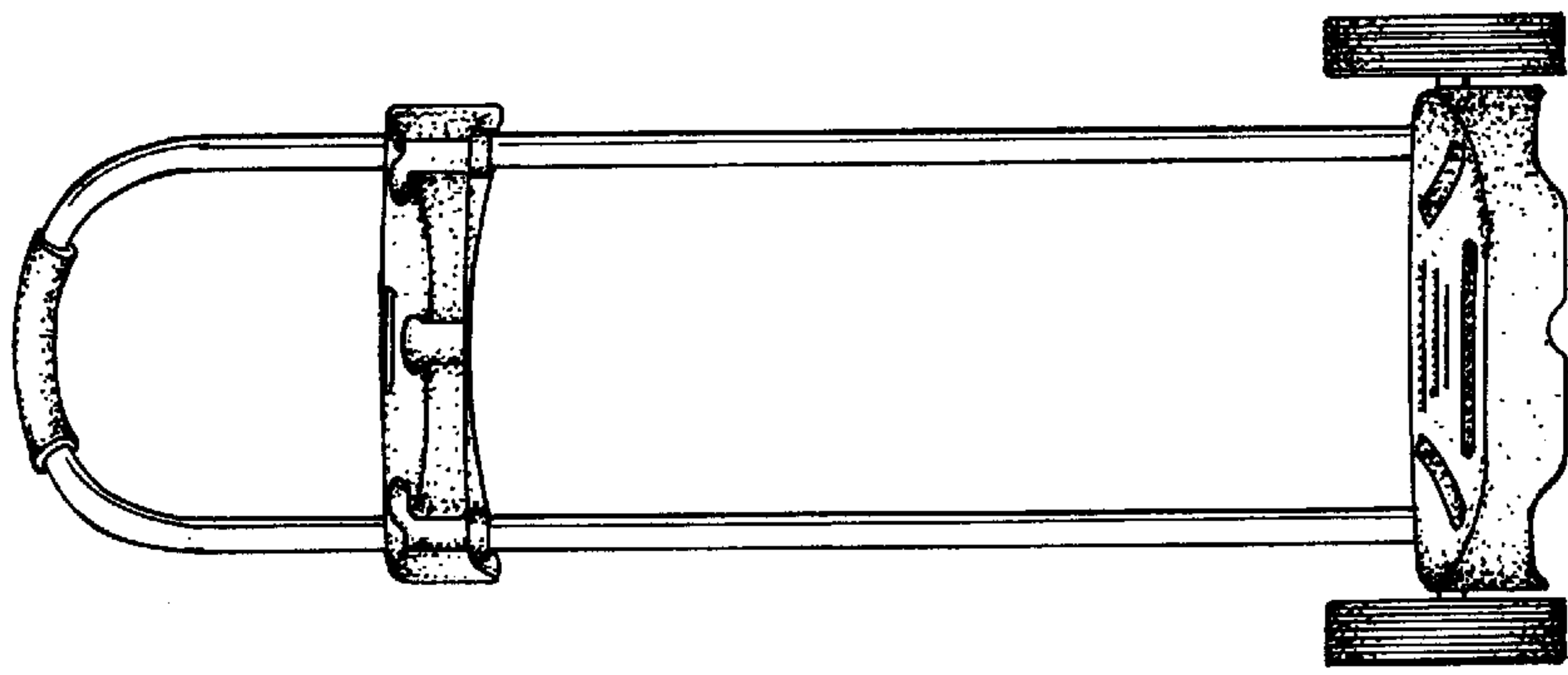


FIG. 2

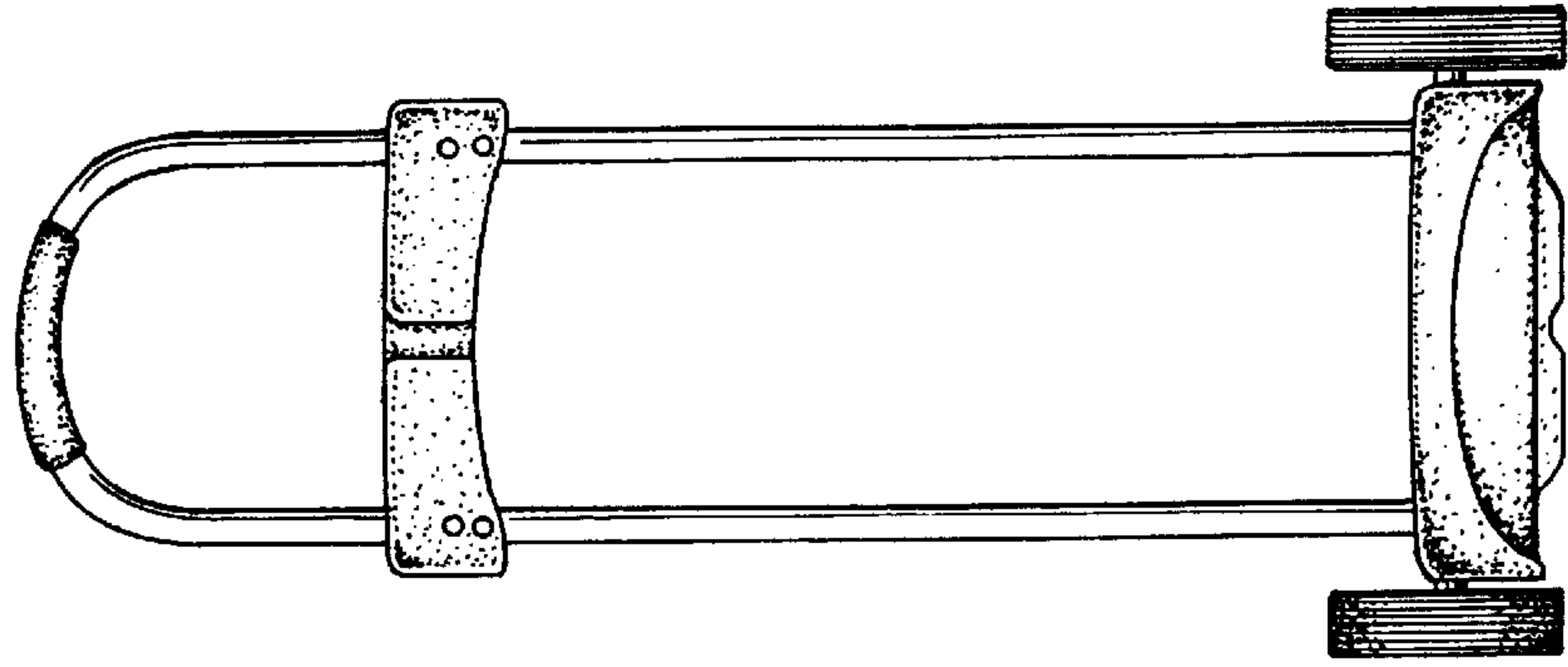


FIG. 3

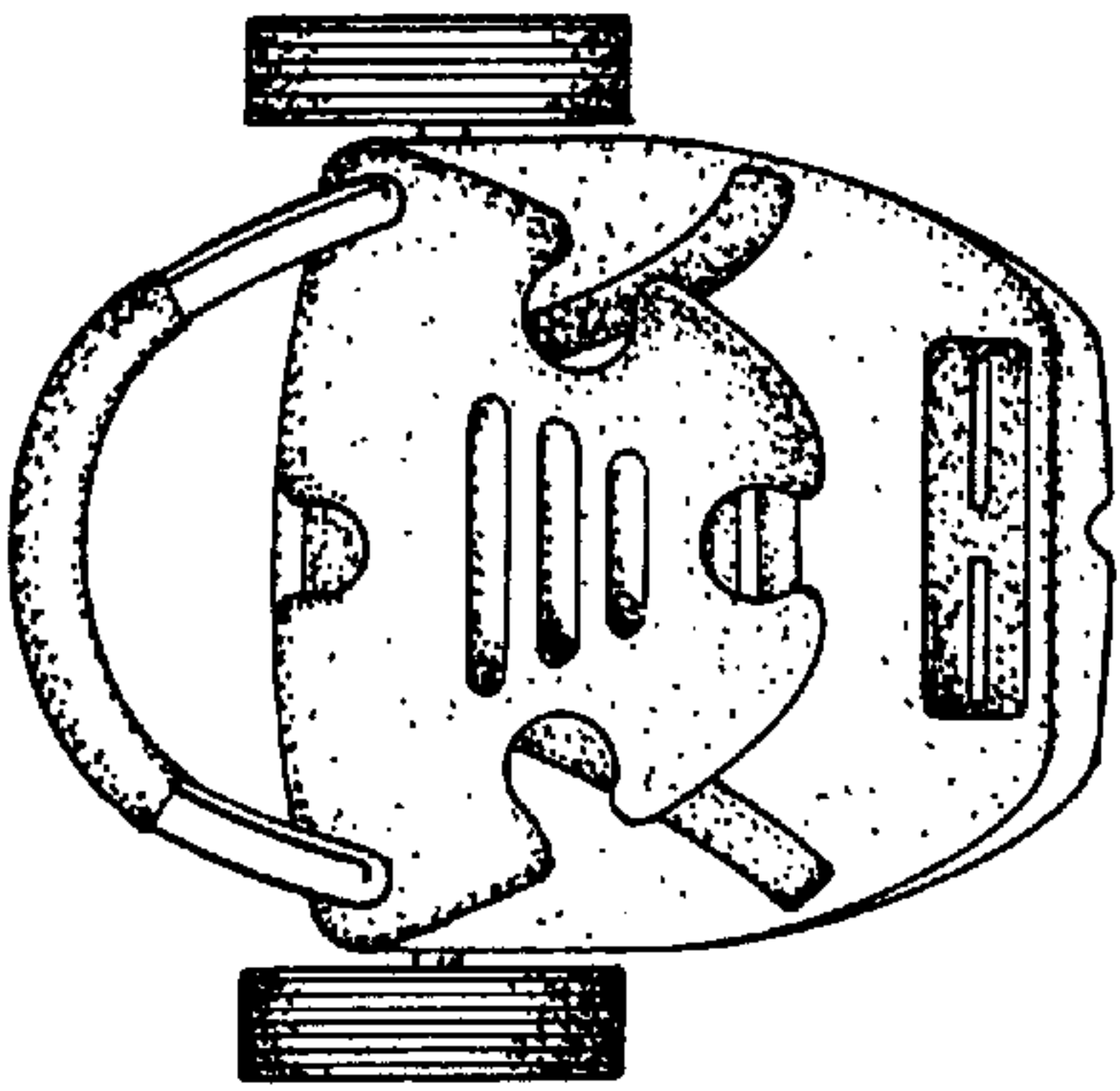


FIG. 6

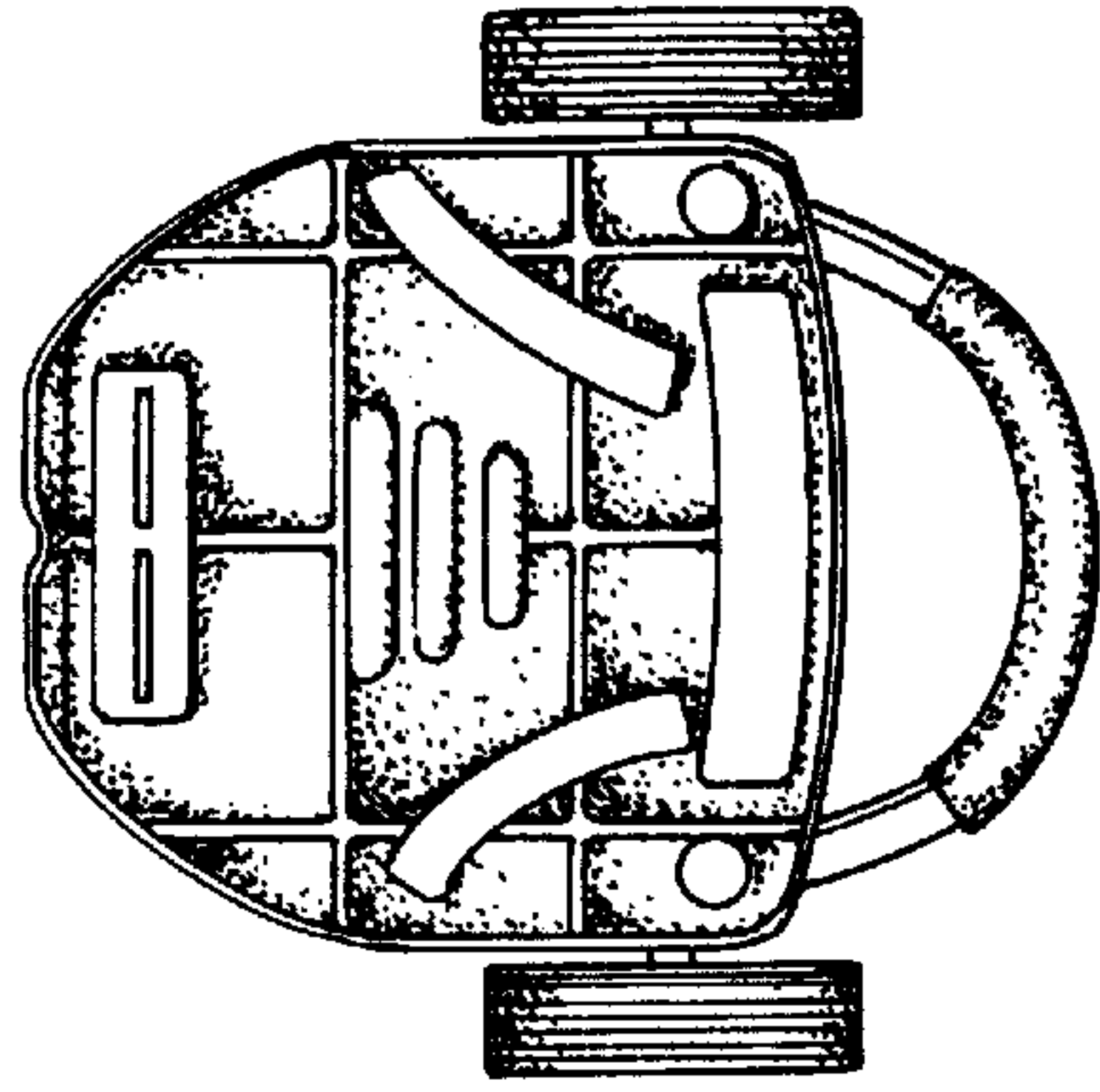


FIG. 7

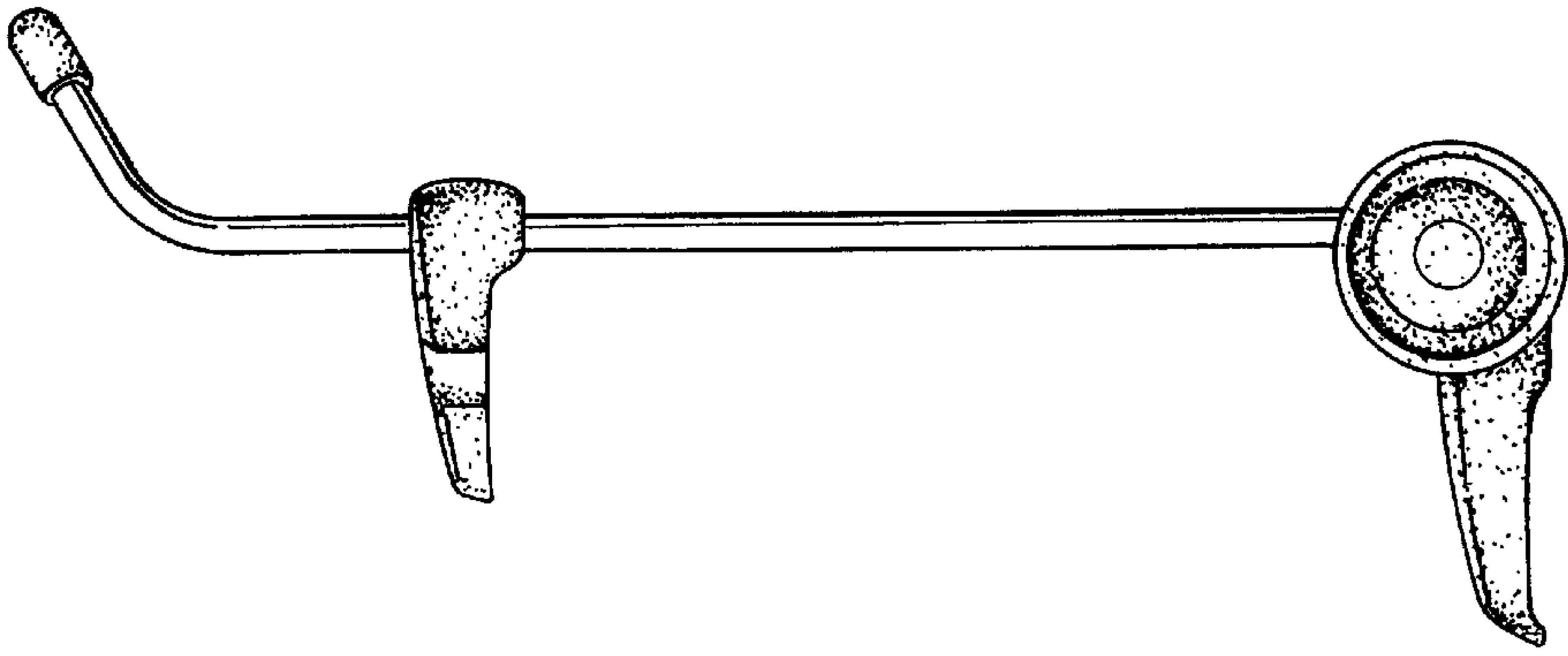


FIG. 5

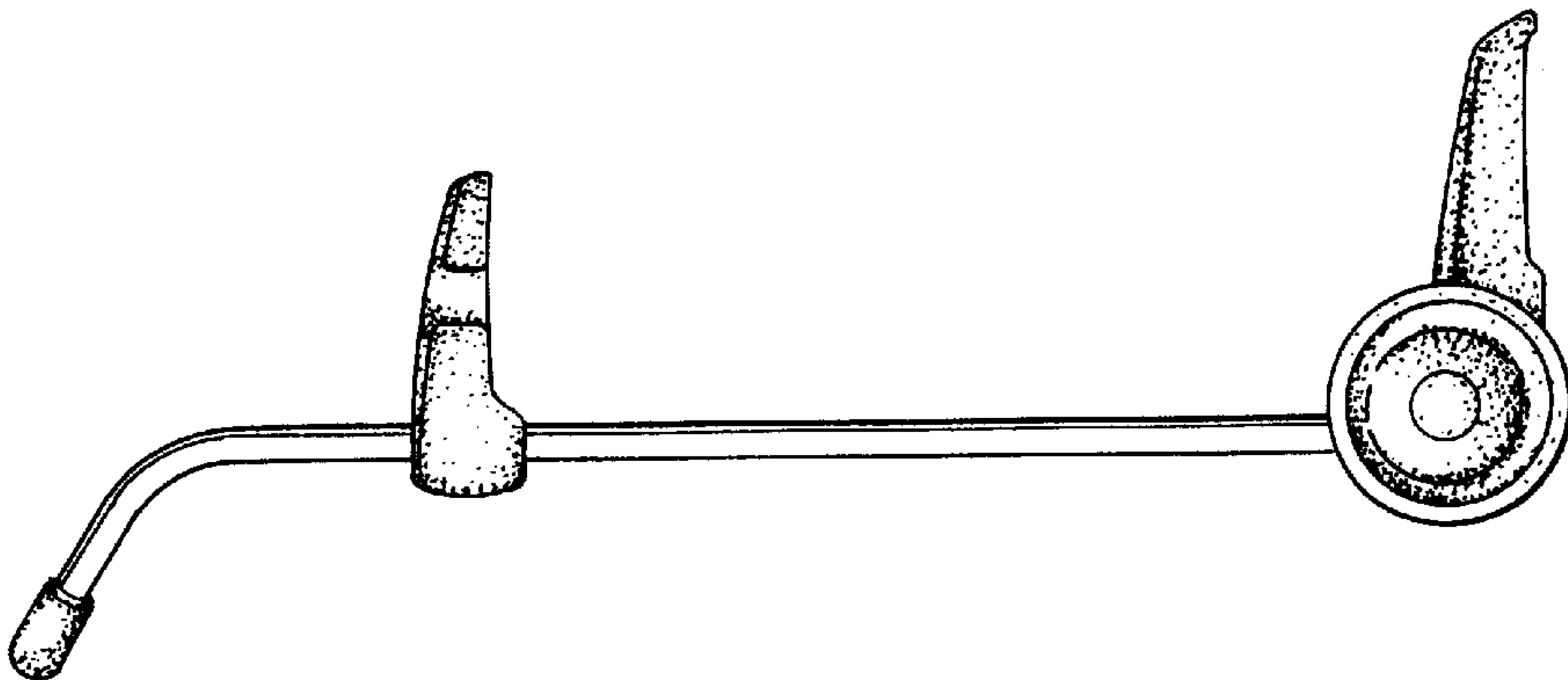


FIG. 4