



US00D401724S

# United States Patent [19]

Whiteside et al.

[11] Patent Number: Des. 401,724

[45] Date of Patent: \*\*Nov. 24, 1998

[54] CREEPER

[75] Inventors: **Kirt E. Whiteside**, Marion; **Terry L. Whiteside**, Delaware, both of Ohio

[73] Assignee: **Whiteside Mfg. Co.**, Delaware, Ohio

[\*\*] Term: **14 Years**

[21] Appl. No.: **82,459**

[22] Filed: **Jan. 22, 1998**

[51] LOC (6) Cl. .... **12-02**

[52] U.S. Cl. .... **D34/23**

[58] Field of Search ..... D34/12, 23; 280/32.6, 280/32.5, 79.11

### [56] References Cited

#### U.S. PATENT DOCUMENTS

D. 230,971	3/1974	Shanklin	.....	D14/3 M
D. 325,799	4/1992	Chen	.....	D34/23
D. 330,619	10/1992	Gilbert et al.	.....	D34/23
D. 351,707	10/1994	Pill	.....	D34/23
2,288,568	6/1942	Holmes	.....	280/32.6
5,174,592	12/1992	Pool	.....	280/32.6
5,195,763	3/1993	Scott et al.	.....	280/32.6
5,330,209	7/1994	Pool	.....	280/32.6

#### OTHER PUBLICATIONS

Rel Products Incorporated advertisement, cover and 2 pages (undated).

P&B Mfg. Co. "Blue Max" advertisement, 1 page (1990).

Lisle "Creepers" advertisement, pp. 44 and 45 (undated).

E-Z Red "E-Z Rider" advertisement, 1 page (undated).

Wilmar Corporation "PT Performance Tool" product catalog, 2 pages (1996).

Petersen Automotive—Flambeau advertisement, 2 pages (undated).

United Auto Systems (Mack Tools) "Creepers" advertisement, 1 page (undated).

Whiteside Catalog advertisement, cover and 4 pages (1993).

Whiteside Catalog advertisement, cover and 3 pages (1995).

*Primary Examiner*—Kay H. Chin

*Attorney, Agent, or Firm*—Renner, Kenner, Greive, Bobak, Taylor & Weber

### [57] CLAIM

The ornamental design for a creeper, as shown and described.

### DESCRIPTION

FIG. 1 is a top, right side, front perspective view of a creeper showing our new design;

FIG. 2 is a front elevational view thereof;

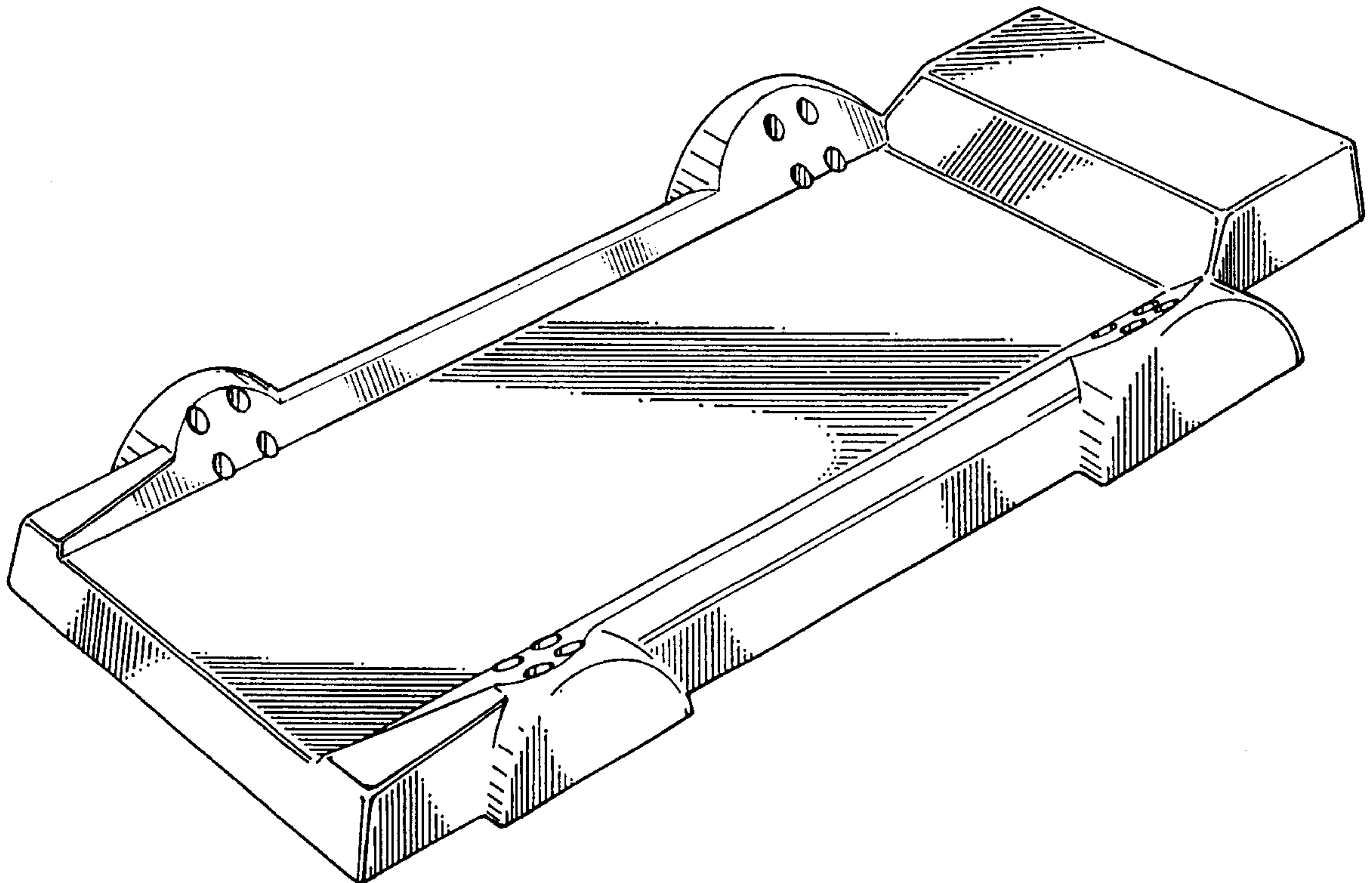
FIG. 3 is a rear elevational view thereof;

FIG. 4 is a left side elevational view thereof, the right side being a mirror image of FIG. 4;

FIG. 5 is a top plan view thereof; and,

FIG. 6 is a bottom plan view thereof.

1 Claim, 4 Drawing Sheets



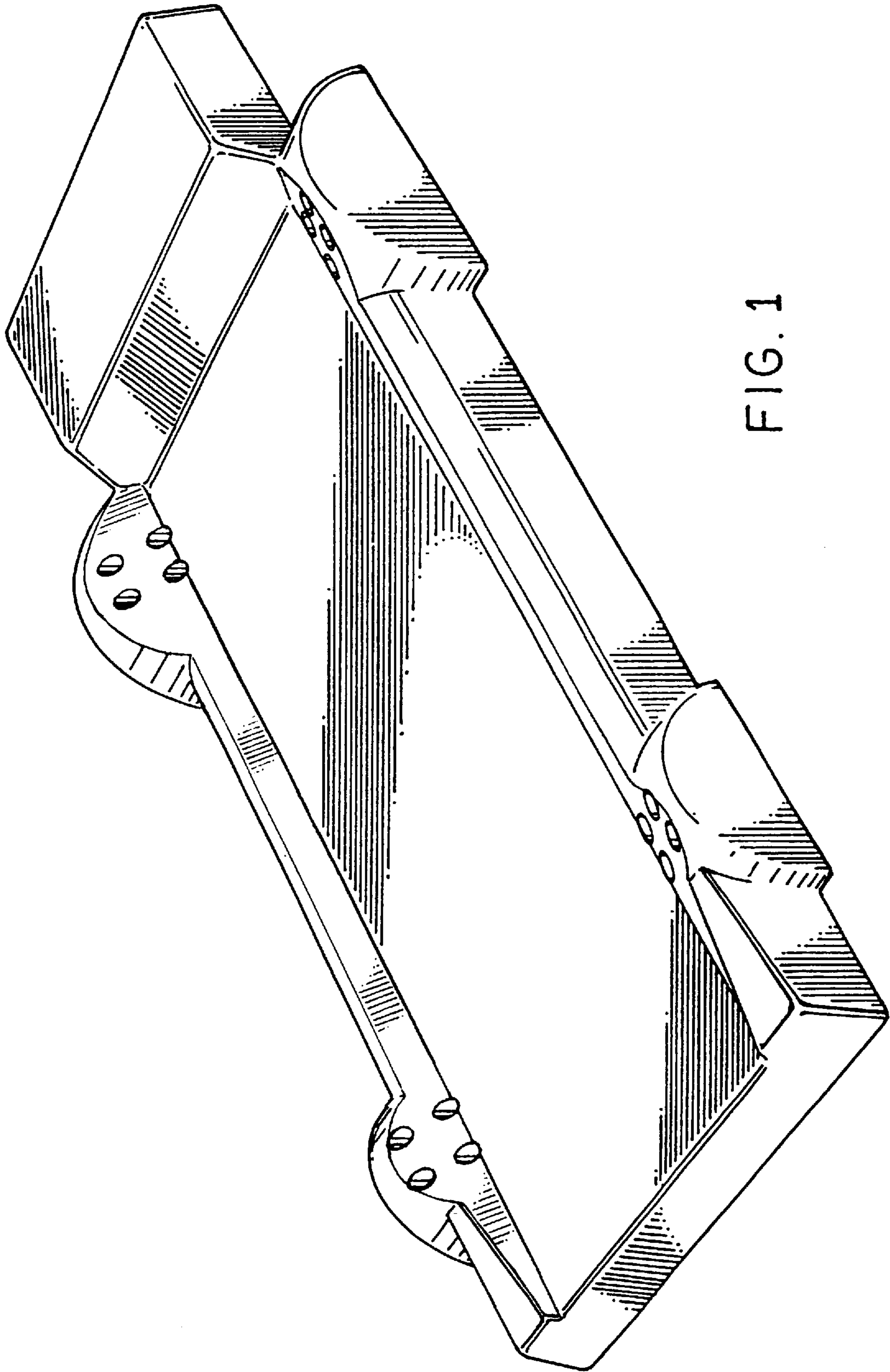


FIG. 1

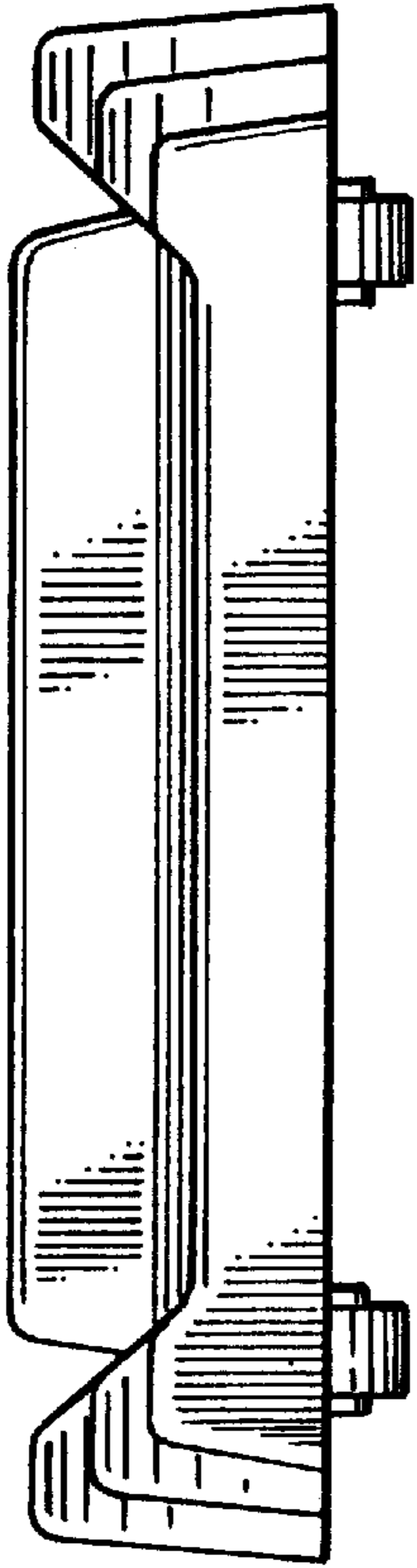


FIG. 2

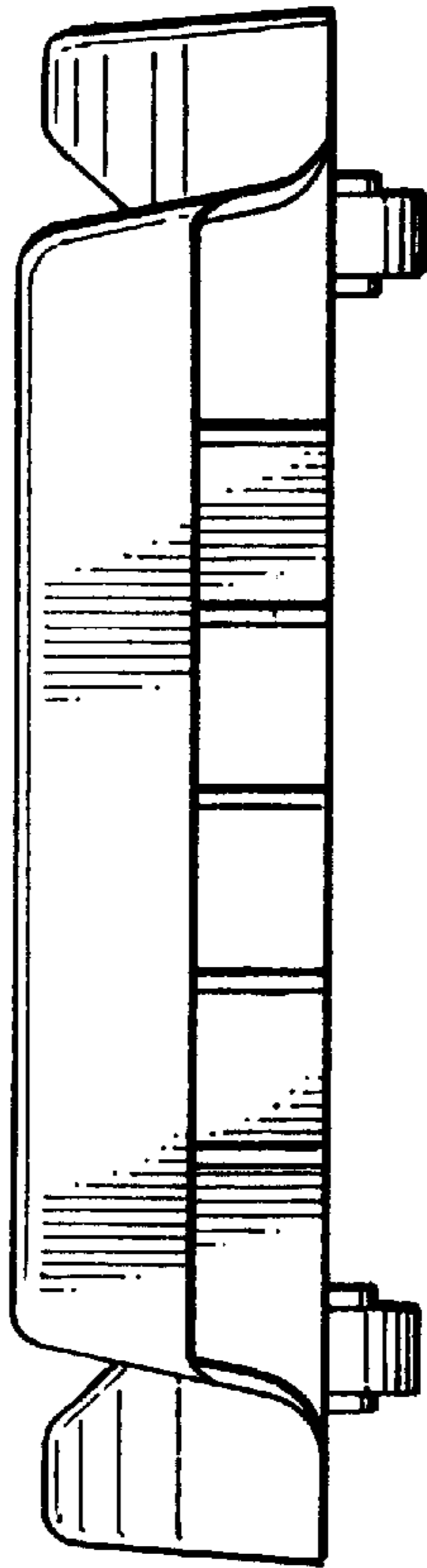


FIG. 3

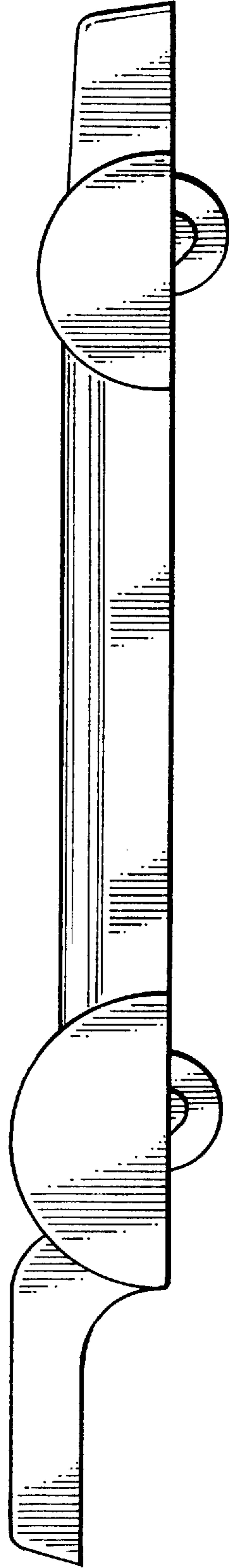


FIG. 4

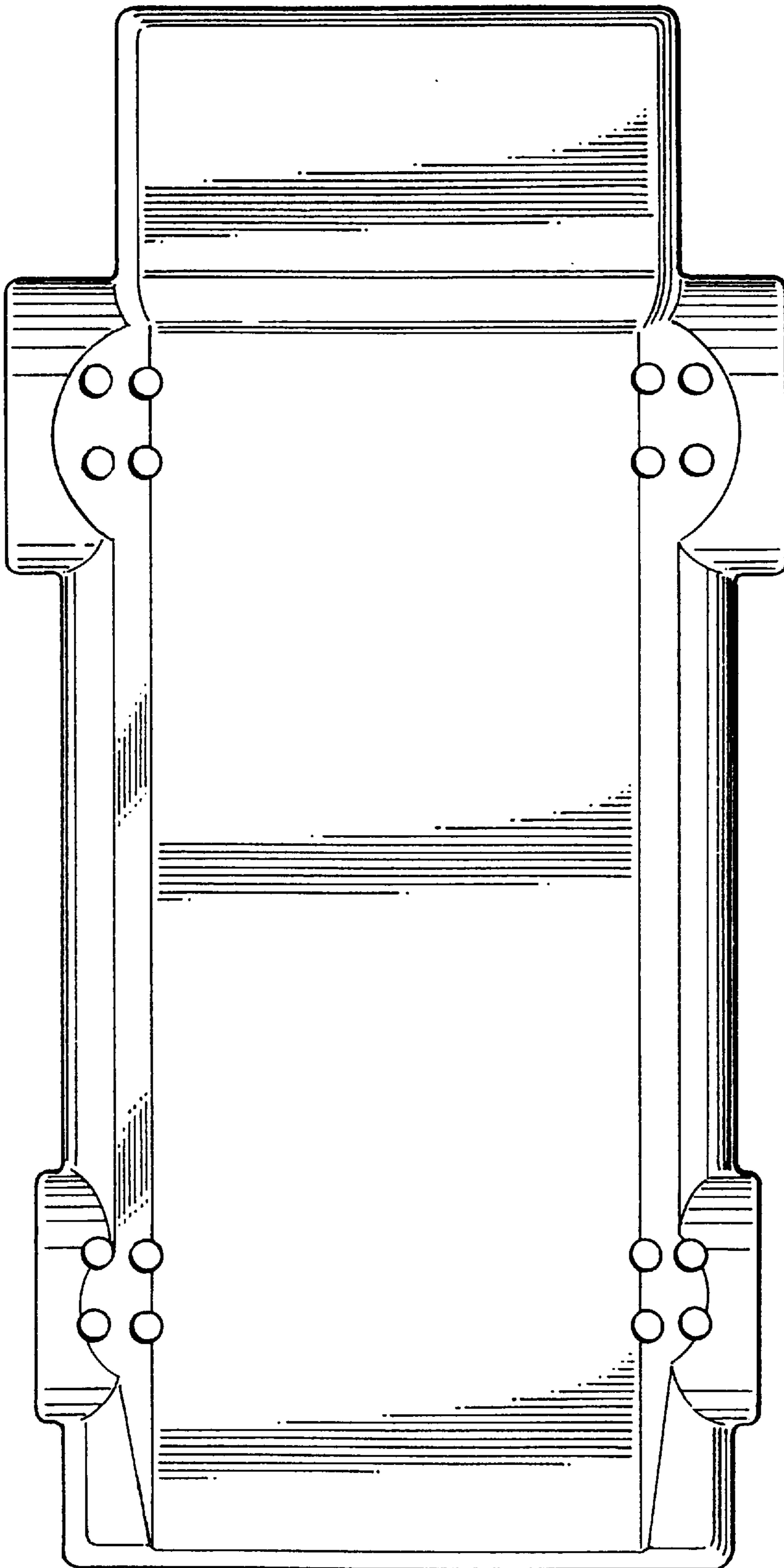


FIG. 5

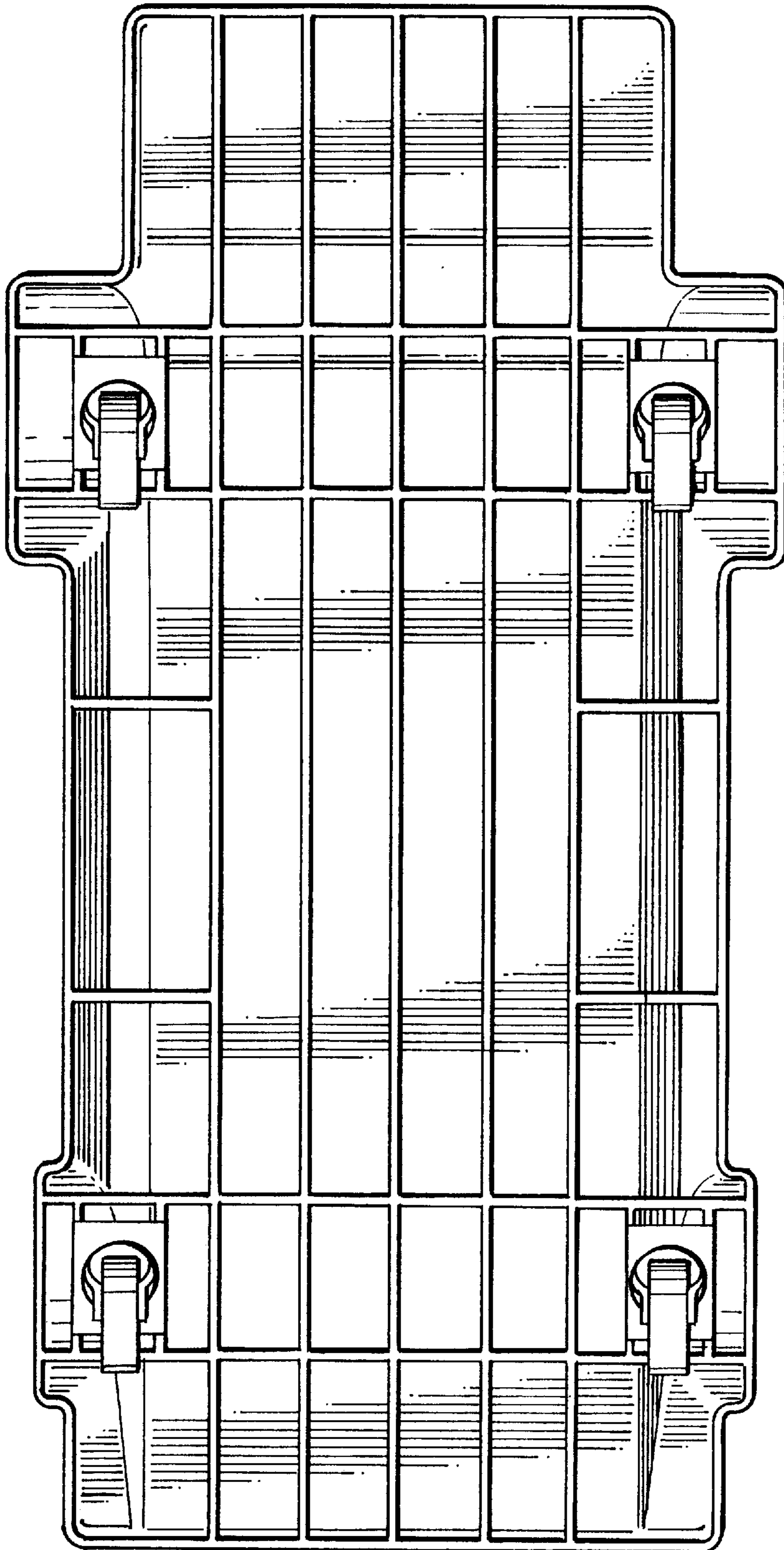


FIG. 6