



US00D401723S

United States Patent [19]

Mauro et al.

[11] Patent Number: Des. 401,723

[45] Date of Patent: **Nov. 24, 1998

[54] PULL GOLF CART WITH SEAT

[76] Inventors: **Victor Mauro; Vera M Mauro**, both of 39-11551 Kingfisher Drive Richmond, British Columbia, Canada, V7E 3N5

[**] Term: **14 Years**

[21] Appl. No.: **86,004**

[22] Filed: **Apr. 2, 1998**

[51] LOC (6) Cl. **12-02**

[52] U.S. Cl. **D34/15**

[58] Field of Search D34/12-27; 280/DIG. 5, 280/DIG. 6, 47, 26, 645, 646, 652

[56] References Cited

U.S. PATENT DOCUMENTS

D. 302,887	8/1989	Ackerfeldt	D34/15
D. 334,451	3/1993	Lindeman	D34/15
5,439,241	8/1995	Nelson	280/645

Primary Examiner—Kay H. Chin

[57] CLAIM

The ornamental design for a pull golf cart with seat, as shown.

DESCRIPTION

FIG. 1 is a front elevational view of the pull golf cart with seat of the present invention;
 FIG. 2 is a back elevational view of the pull golf cart with seat of FIG. 1;
 FIG. 3 is a right side elevational view of the pull golf cart with seat of FIG. 1;
 FIG. 4 is a left side elevational view of the pull golf cart with seat of FIG. 1;
 FIG. 5 is a top plan view of the pull golf cart with seat of FIG. 1; and,
 FIG. 6 is a bottom plan view of the pull golf cart with seat of FIG. 1.

1 Claim, 3 Drawing Sheets

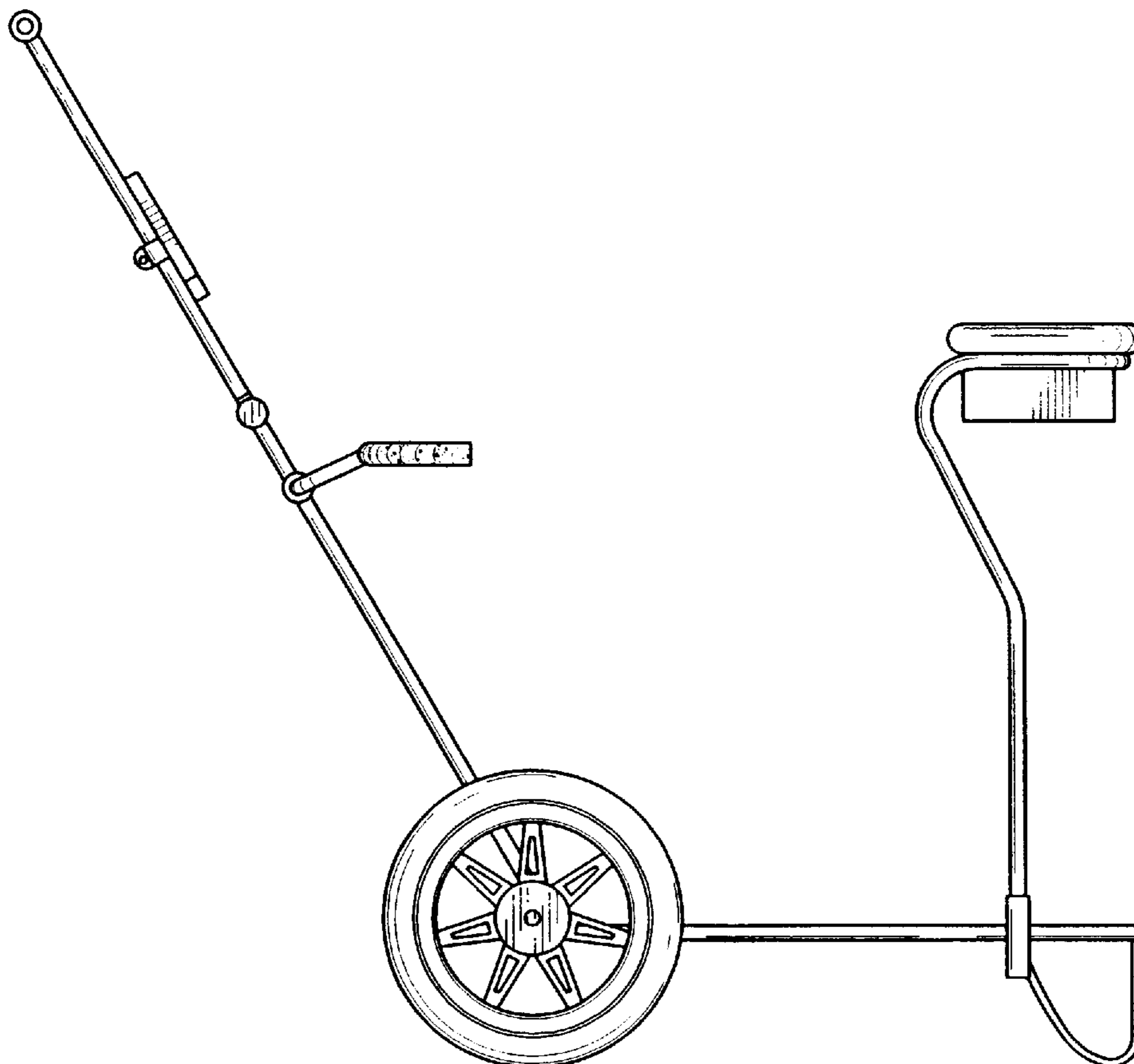


FIG. 1

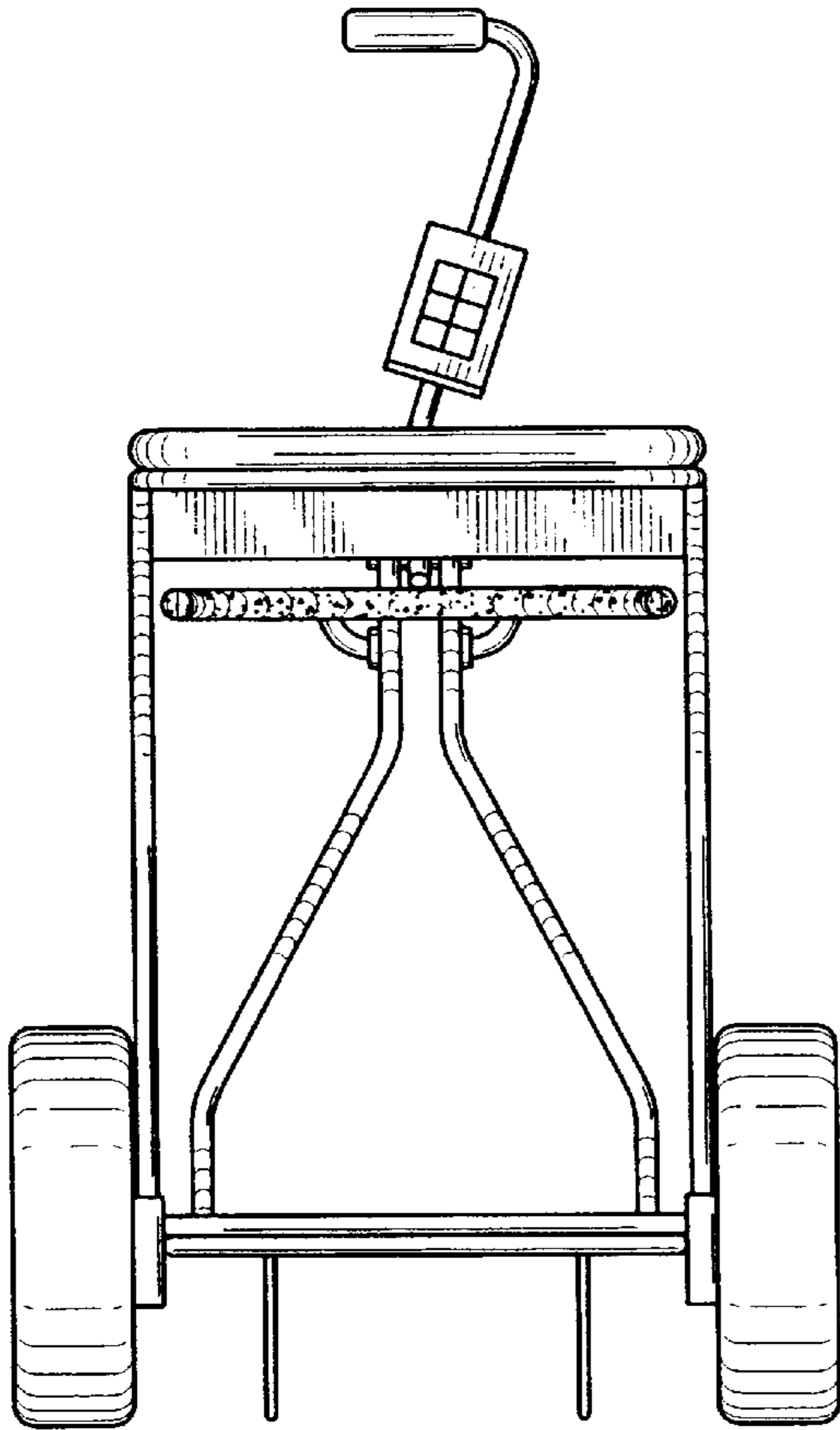
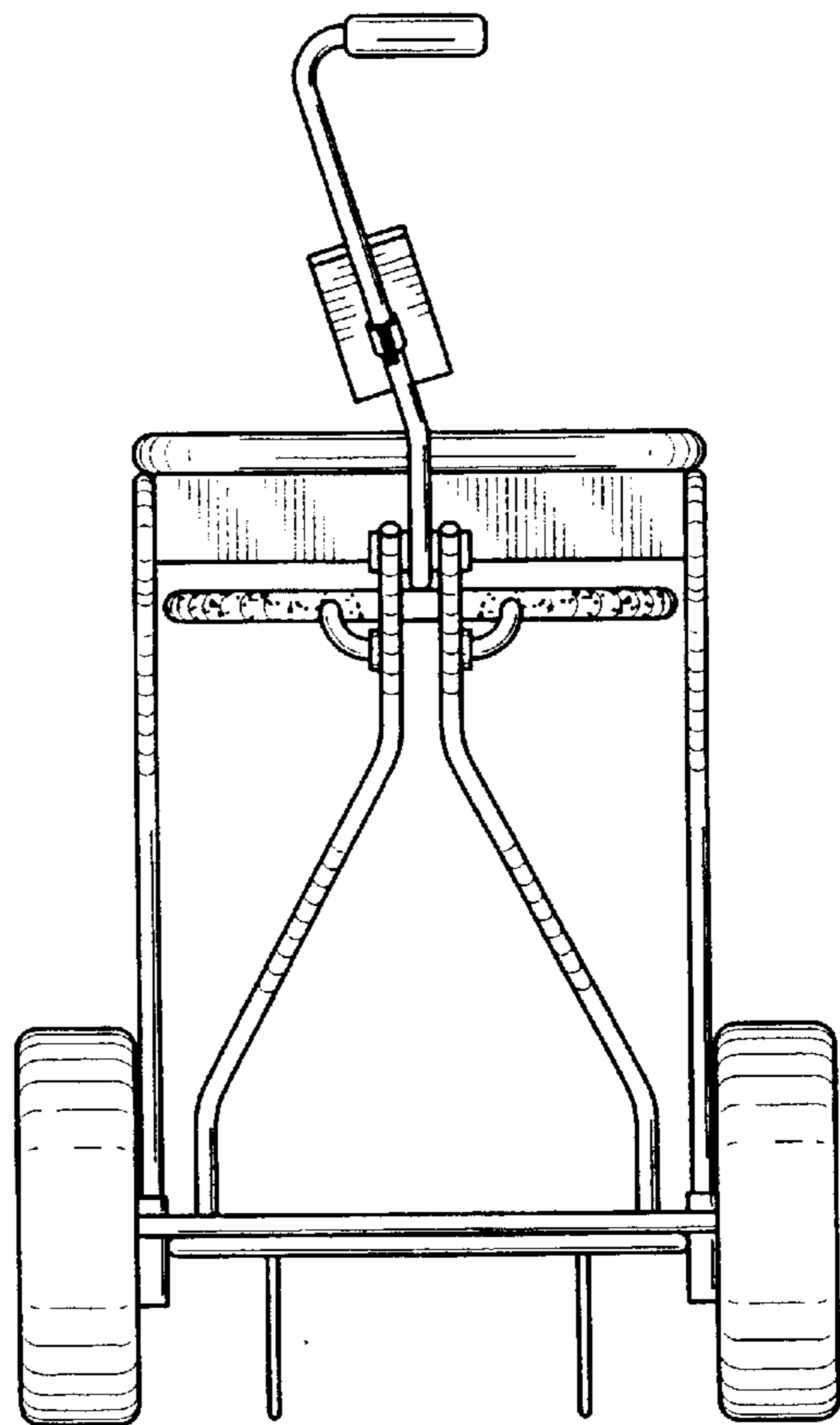


FIG. 2



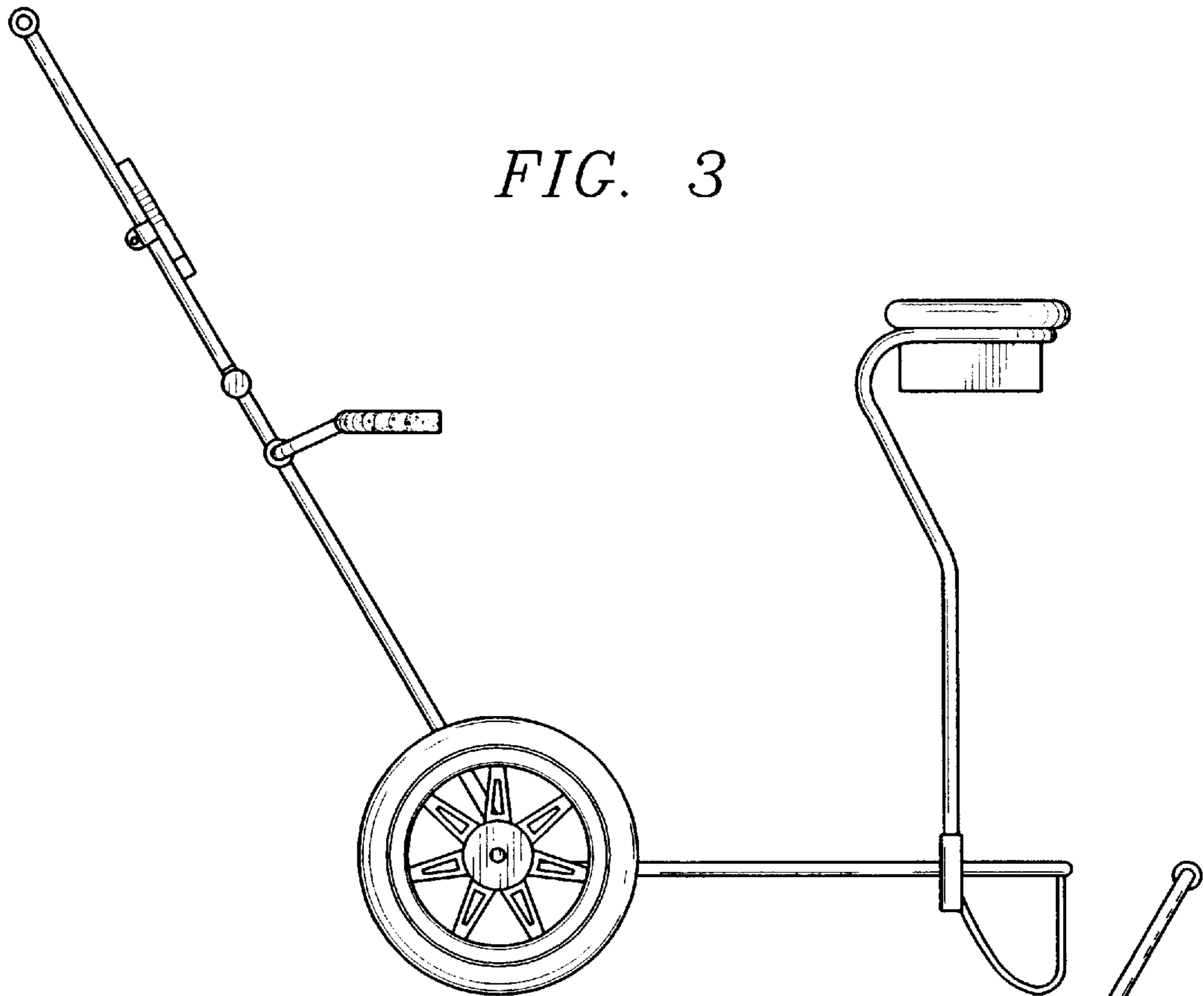


FIG. 3

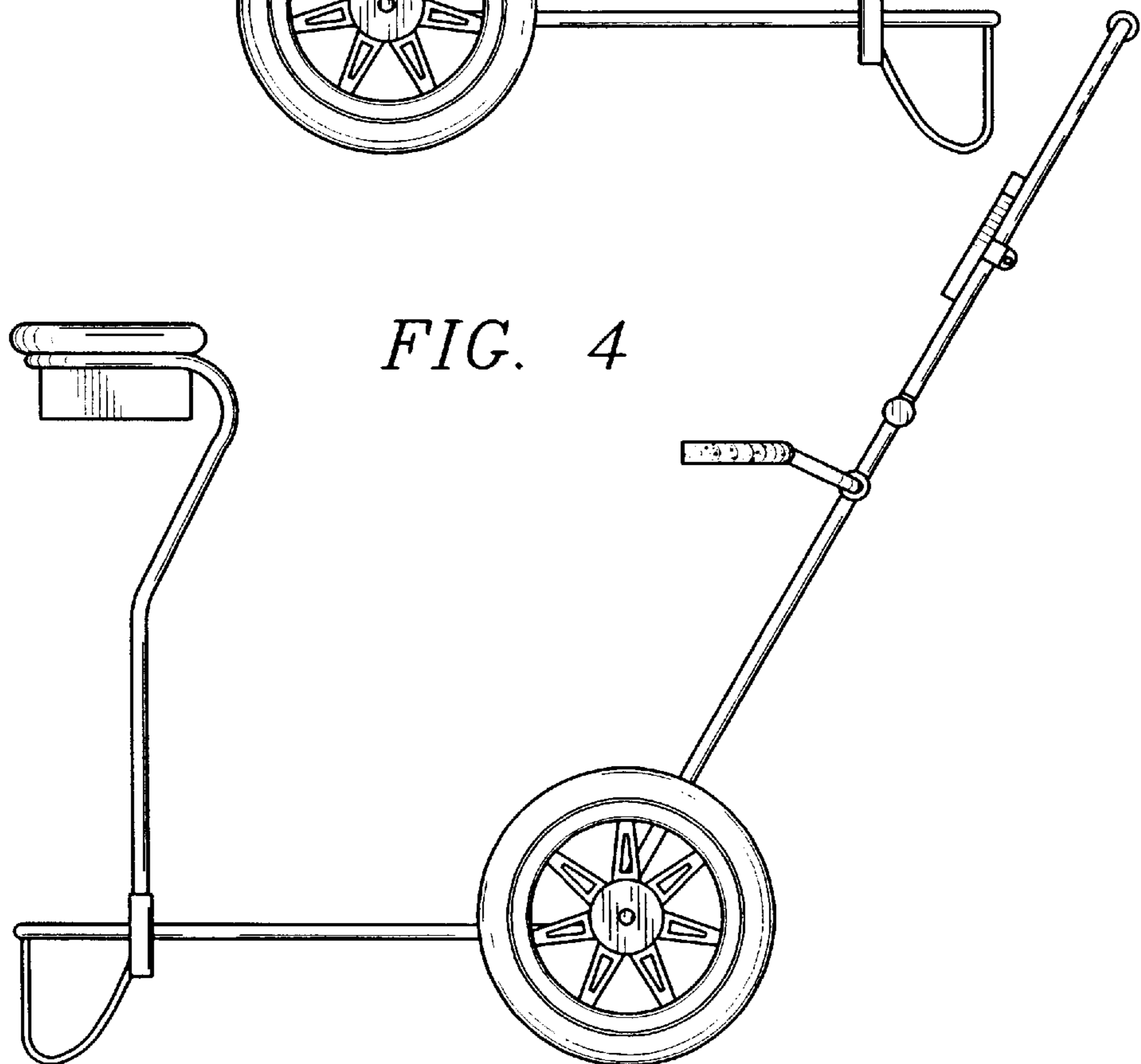


FIG. 4

FIG. 5

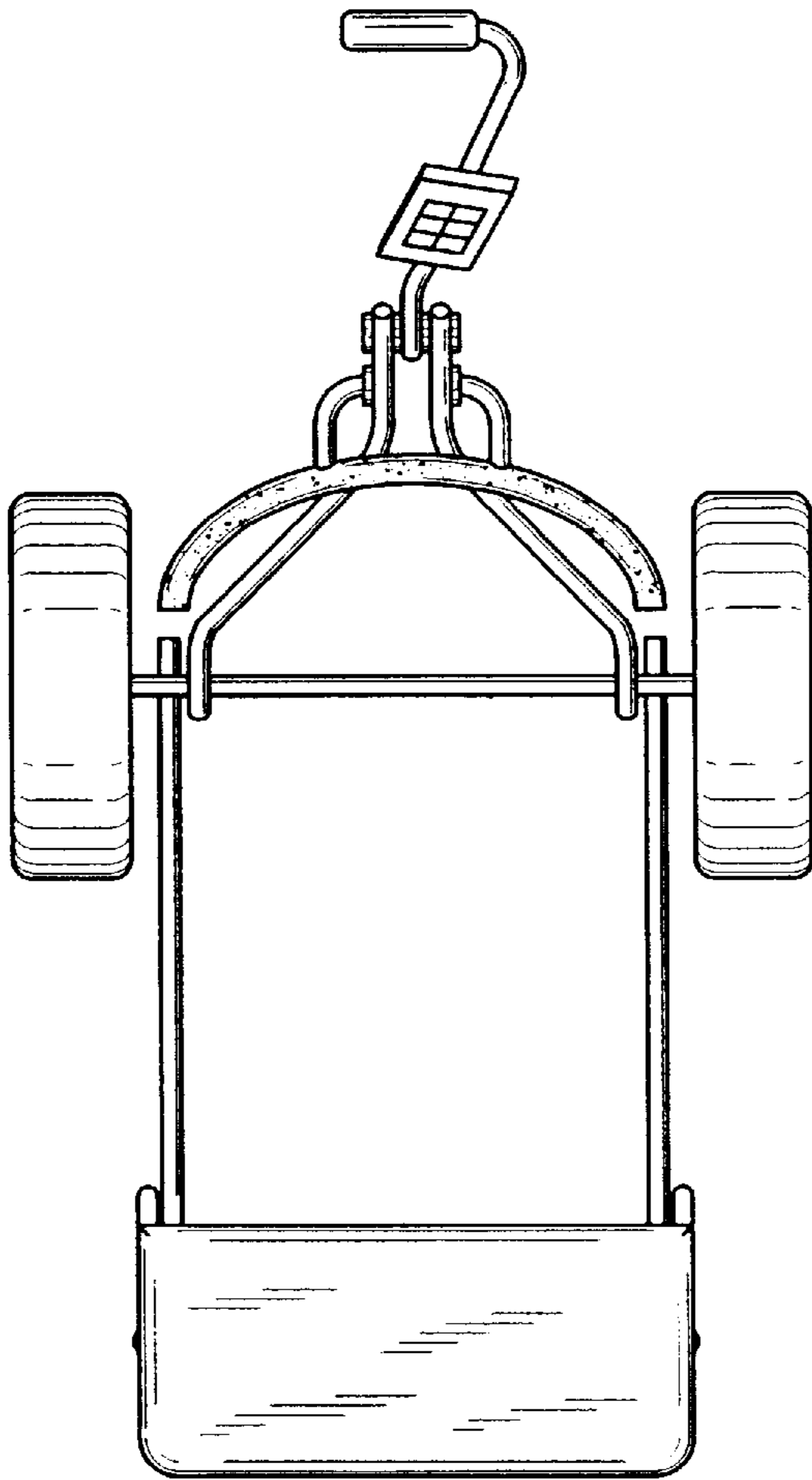


FIG. 6

