



US00D401722S

**United States Patent** [19]  
**Eichenberg**

[11] **Patent Number: Des. 401,722**

[45] **Date of Patent: \*\*Nov. 24, 1998**

[54] **FRAME FOR SUPPORTING AND FILLING A SAND BAG**

1,994,980 3/1935 Cook ..... 248/95  
2,455,729 12/1948 Byers .  
2,504,572 4/1950 Nygard ..... 248/95

[76] Inventor: **Robert J. Eichenberg**, 1 Collins Island, Newport Beach, Calif. 92662

*Primary Examiner*—Alan P. Douglas  
*Assistant Examiner*—Robin V. Taylor  
*Attorney, Agent, or Firm*—Morland C. Fischer

[\*\*] Term: **14 Years**

[21] Appl. No.: **82,576**

[57] **CLAIM**

[22] Filed: **Jan. 26, 1998**

The ornamental design for a frame for supporting and filling a sand bag, as shown and described.

[51] **LOC (6) Cl.** ..... **09-09**

**DESCRIPTION**

[52] **U.S. Cl.** ..... **D34/6**

[58] **Field of Search** ..... D34/1, 5, 6, 7, D34/9, 10; 248/95, 97, 98, 99; 220/908, 909

FIG. 1 is a perspective view showing the front and right side of a frame for supporting and filling a sand bag which forms my invention;

[56] **References Cited**

**U.S. PATENT DOCUMENTS**

217,403	7/1879	Price .	
246,667	9/1881	Draper .	
341,741	5/1886	Fisk .	
D. 349,992	8/1994	Brohan .....	D34/5
725,721	4/1903	Kenney .....	248/95
760,690	5/1904	Harris .....	248/95
1,558,368	10/1925	Jones .....	248/95

FIG. 2 is a left side elevational view thereof, the broken line showing of a sand bag being for illustrative purposes only and forming no part of the claimed design;

FIG. 3 is a right side elevational view thereof;

FIG. 4 is a front elevational view thereof;

FIG. 5 is a rear elevational view thereof;

FIG. 6 is a bottom plan view thereof; and,

FIG. 7 is a top plan view thereof.

**1 Claim, 3 Drawing Sheets**

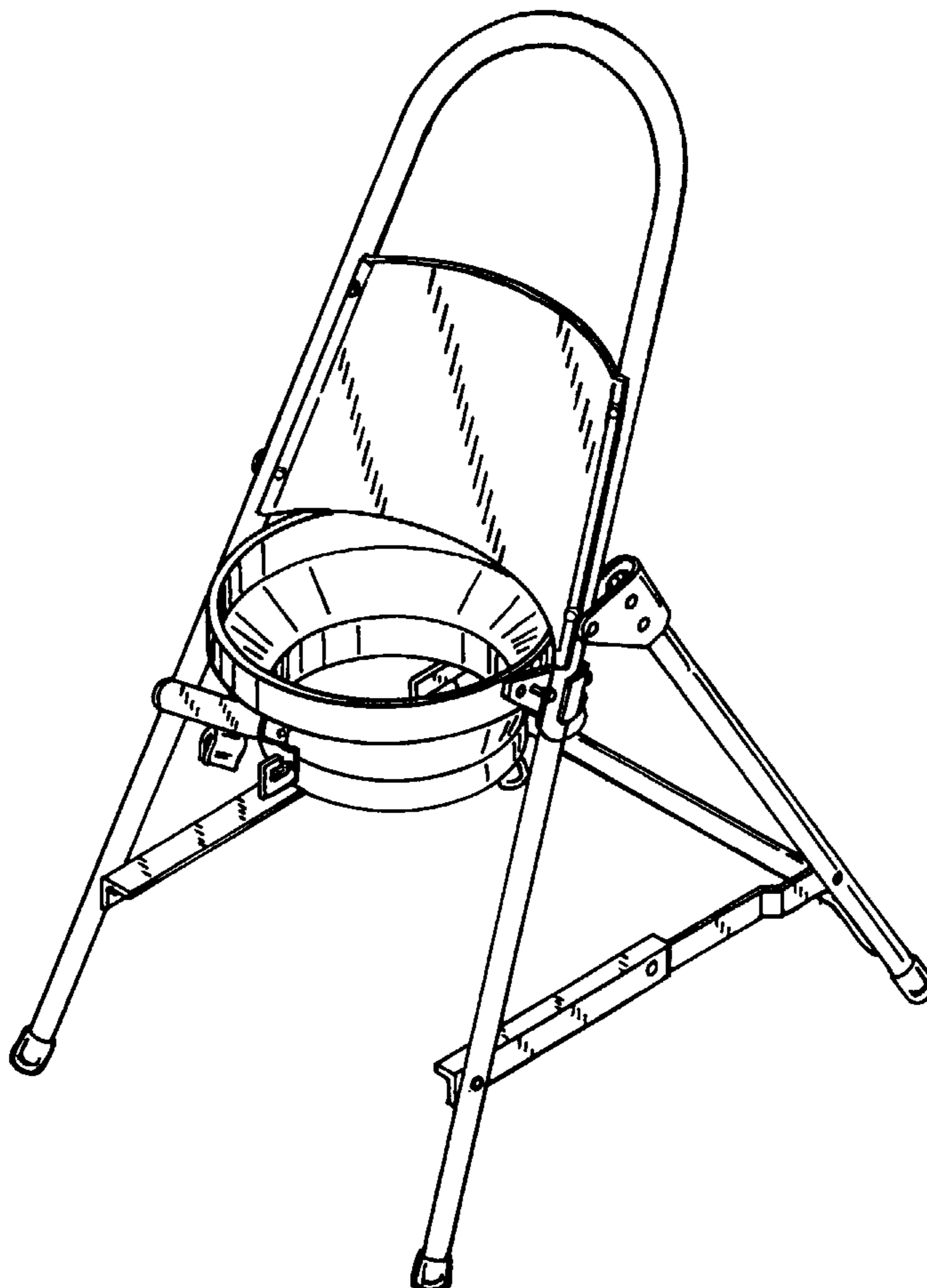


Fig. 1

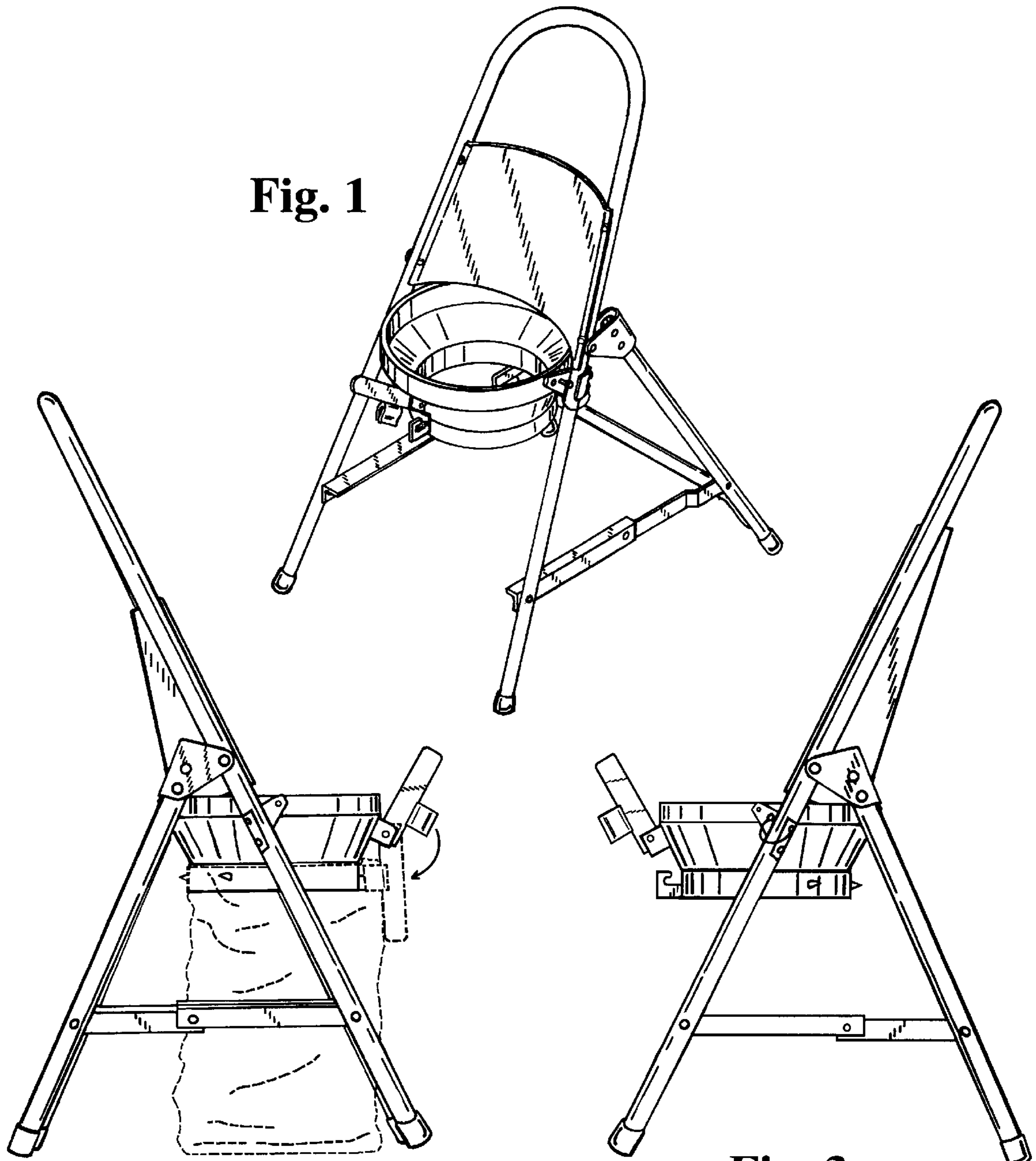


Fig. 2

Fig. 3

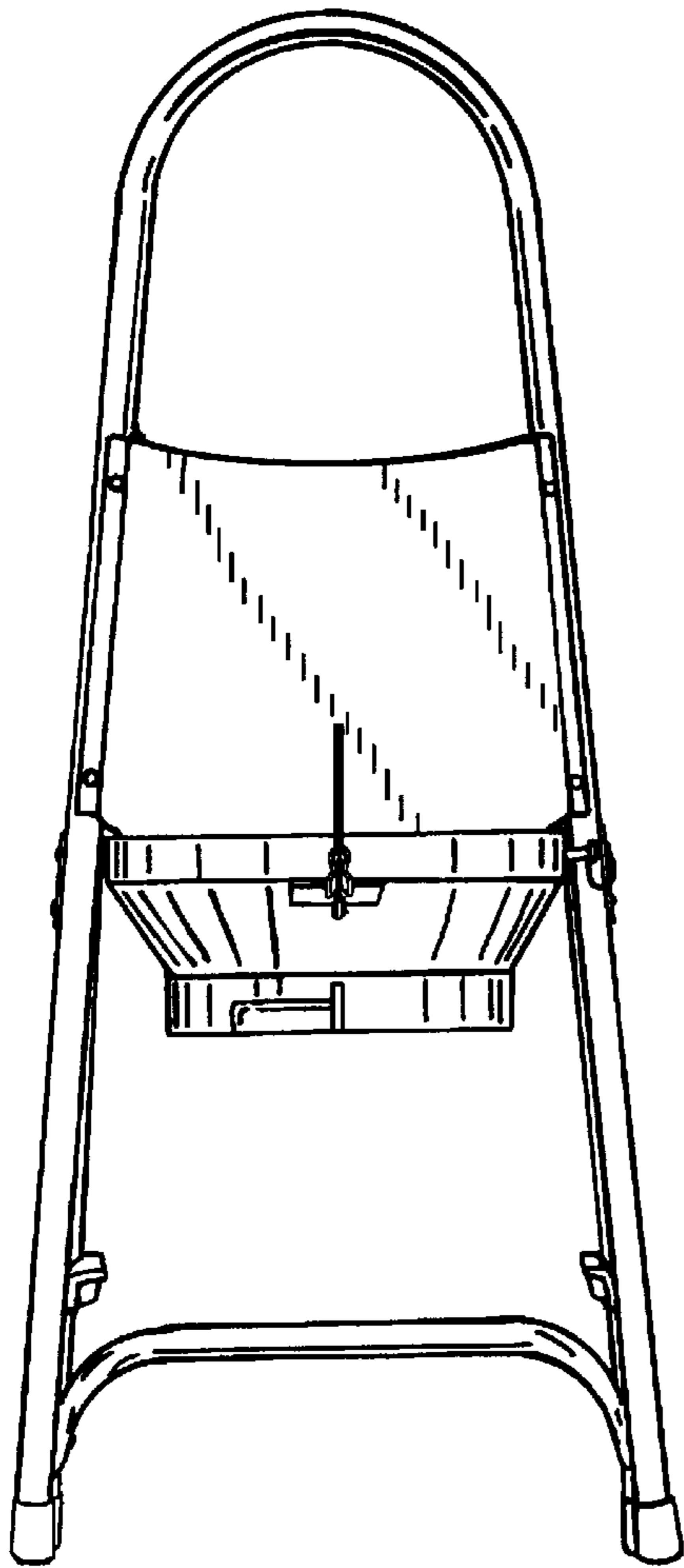


Fig. 4

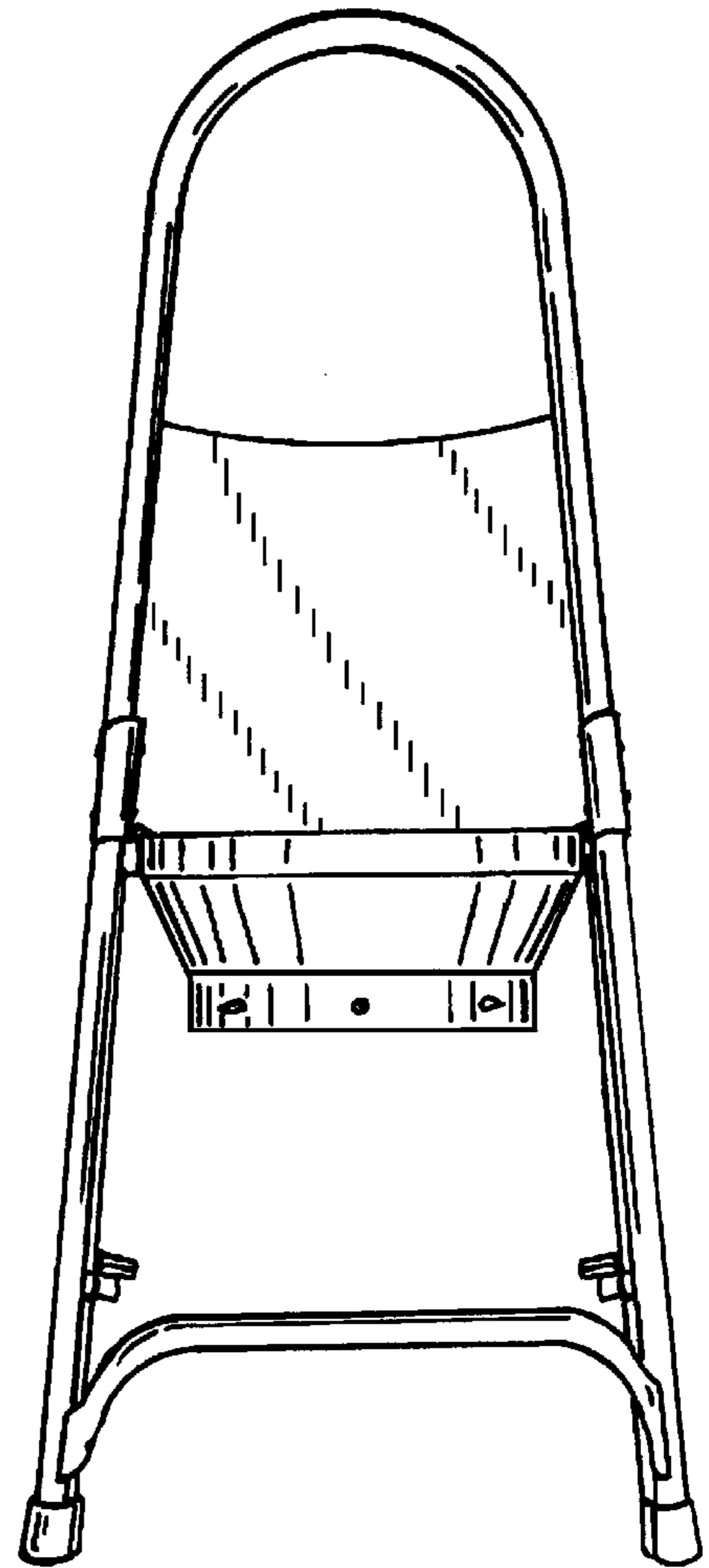
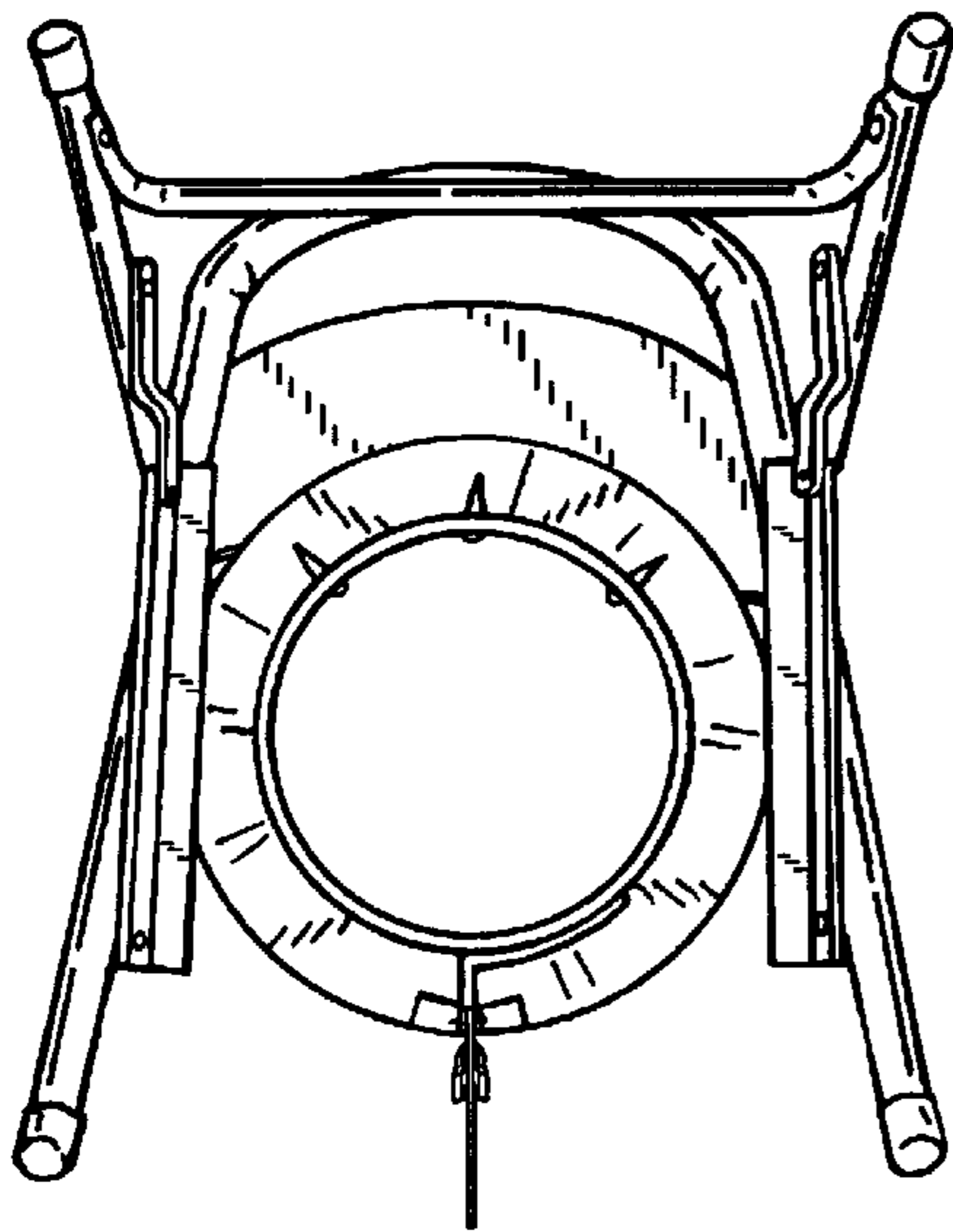
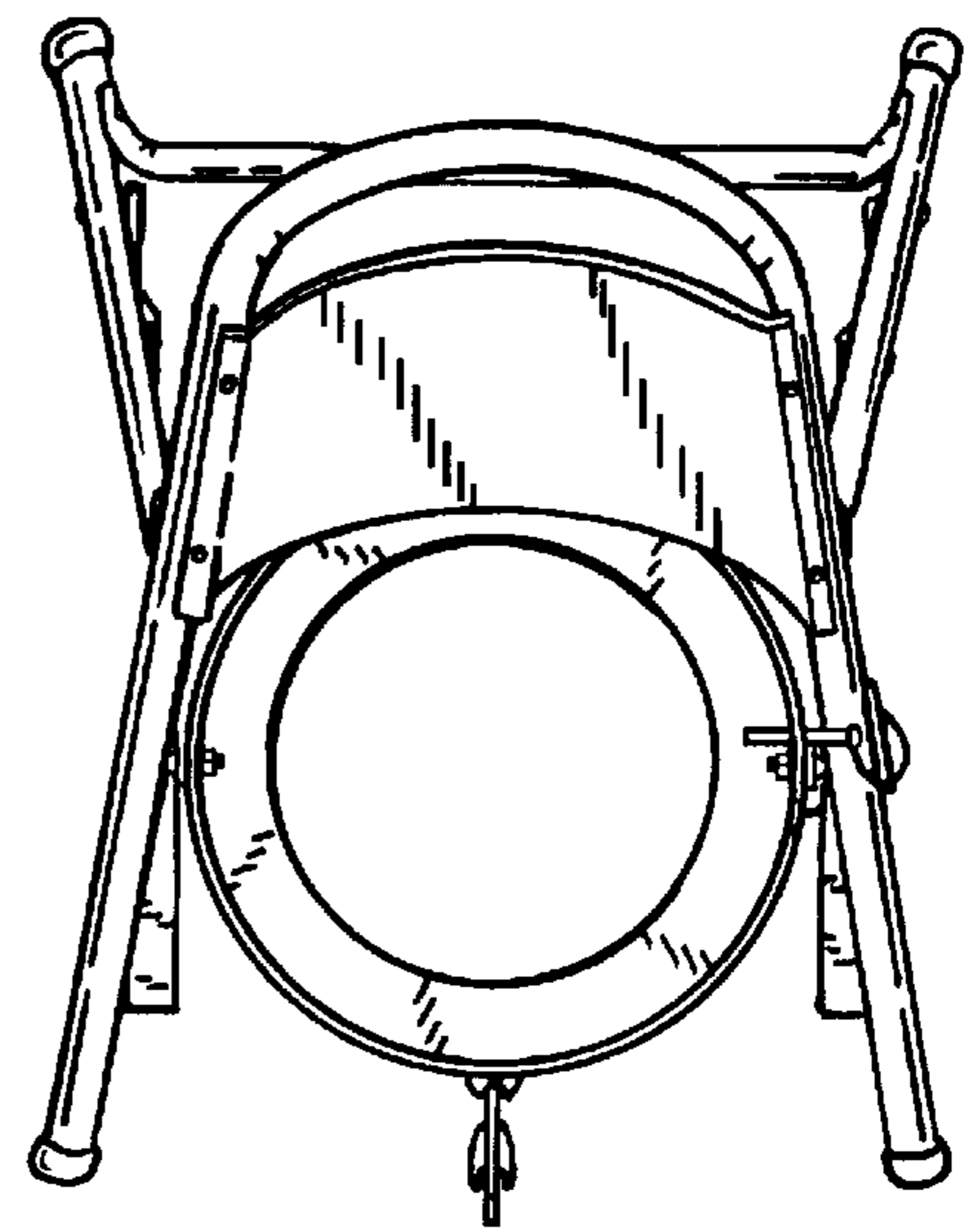


Fig. 5



**Fig. 6**



**Fig. 7**