

US00D401720S

**United States Patent** [19]  
**Newquist**

[11] **Patent Number: Des. 401,720**  
[45] **Date of Patent: \*\*Nov. 24, 1998**

[54] **COMPOST CONTAINER**

**DESCRIPTION**

[75] Inventor: **Gary Newquist**, Albany, Oreg.  
[73] Assignee: **Stanco Mfg., Inc.**, Salem, Oreg.  
[\*\*] Term: **14 Years**  
[21] Appl. No.: **81,083**  
[22] Filed: **Oct. 23, 1997**  
[51] **LOC (6) Cl. .... 09-09**  
[52] **U.S. Cl. .... D34/1**  
[58] **Field of Search ..... D34/1, 5-7; 220/908, 220/909**

FIG. 1 is a perspective view of one embodiment of the decorative container;  
FIG. 2 is a side elevational view thereof, the opposite side elevational view being identical thereto, the rear elevational view being identical thereto, the front elevational view being identical thereto;  
FIG. 3 is a top plan view thereof, the bottom plan view being identical thereto;  
FIG. 4 is a perspective view of an alternative embodiment of the decorative container;  
FIG. 5 is a side elevational view thereof, the opposite side elevational view being identical thereto, the front elevational view being identical thereto;  
FIG. 6 is a rear elevational view thereof;  
FIG. 7 is a top plan view thereof;  
FIG. 8 is a bottom plan view thereof;  
FIG. 9 is a perspective view of a further alternative embodiment of the decorative container;  
FIG. 10 is a side elevational view thereof, the opposite side elevational view being identical thereto;  
FIG. 11 is a top plan view thereof, the bottom plan view being identical thereto; and,  
FIG. 12 is a front elevational view thereof, the rear elevational view being identical thereto.

[56] **References Cited**

**U.S. PATENT DOCUMENTS**

D. 332,851	1/1993	Long	.....	D34/7
D. 337,188	7/1993	Bonskowski	.....	D34/1
D. 340,331	10/1993	Arato et al.	.....	D34/1
5,119,740	6/1992	Carter	.....	108/56.3

*Primary Examiner*—Alan P. Douglas  
*Assistant Examiner*—Robin V. Taylor  
*Attorney, Agent, or Firm*—Chernoff, Vilhauer, McClung & Stenzel, LLP

[57] **CLAIM**

The ornamental design for a compost container, as shown and described.

**1 Claim, 5 Drawing Sheets**

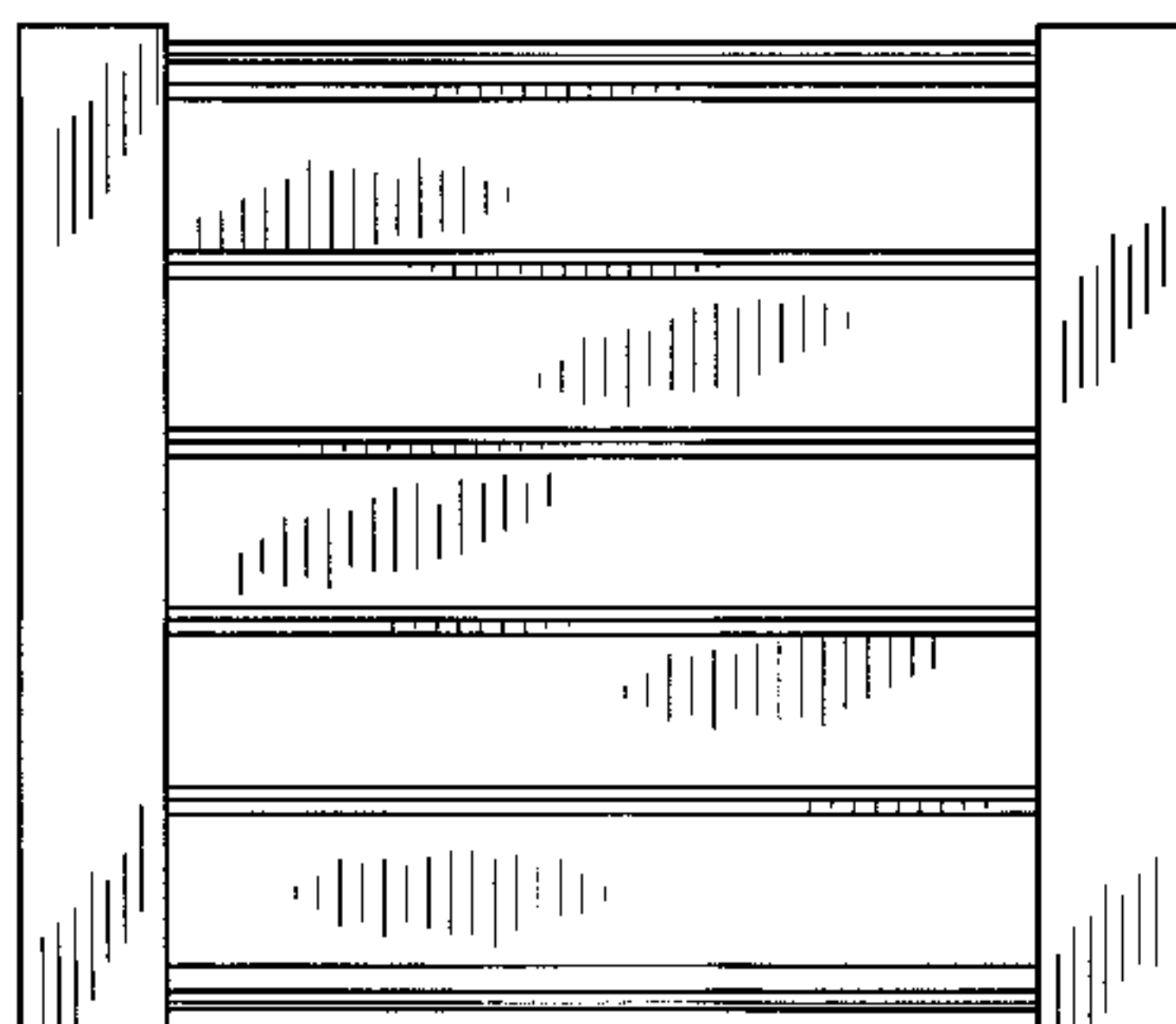
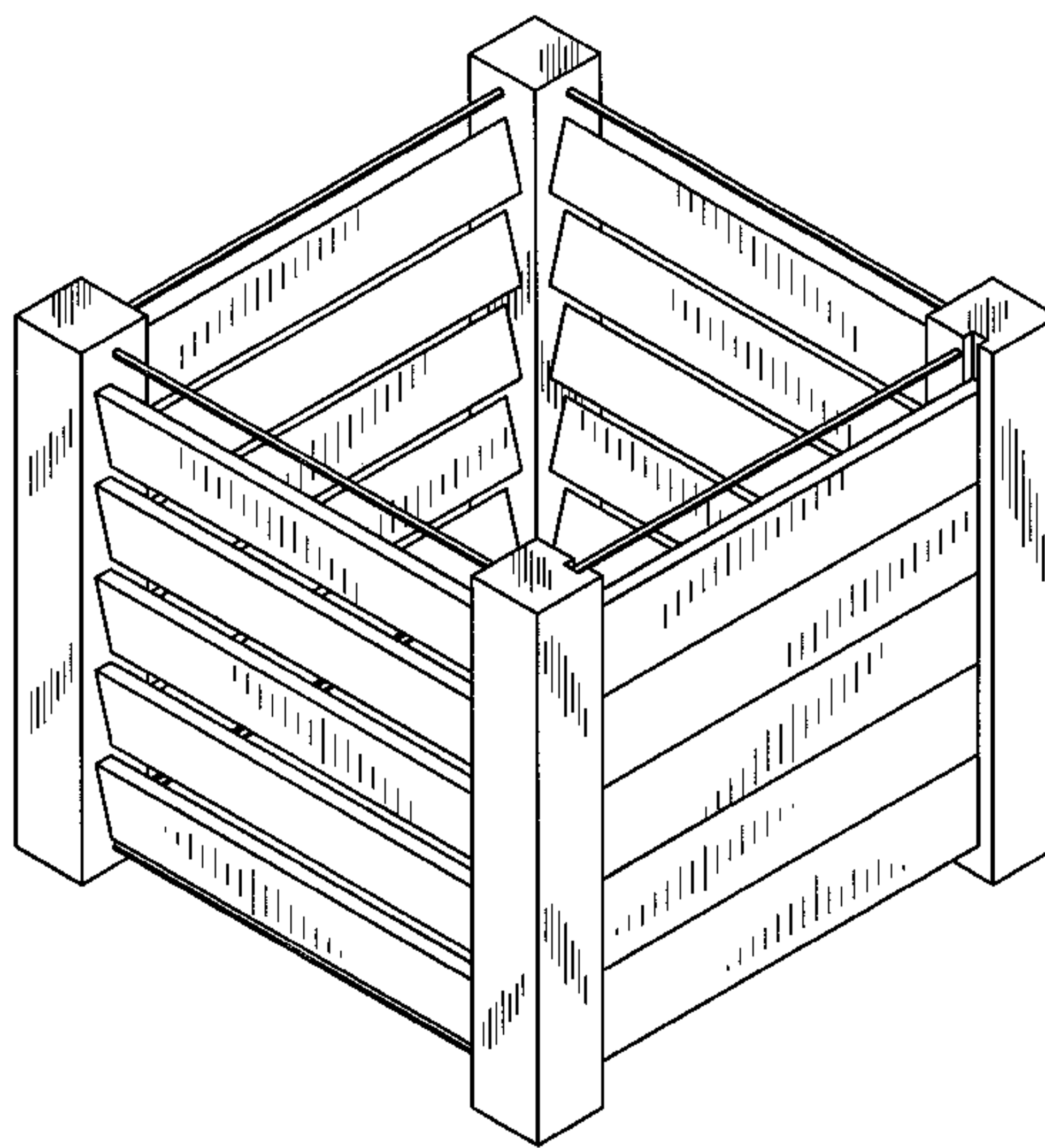


Fig. 1

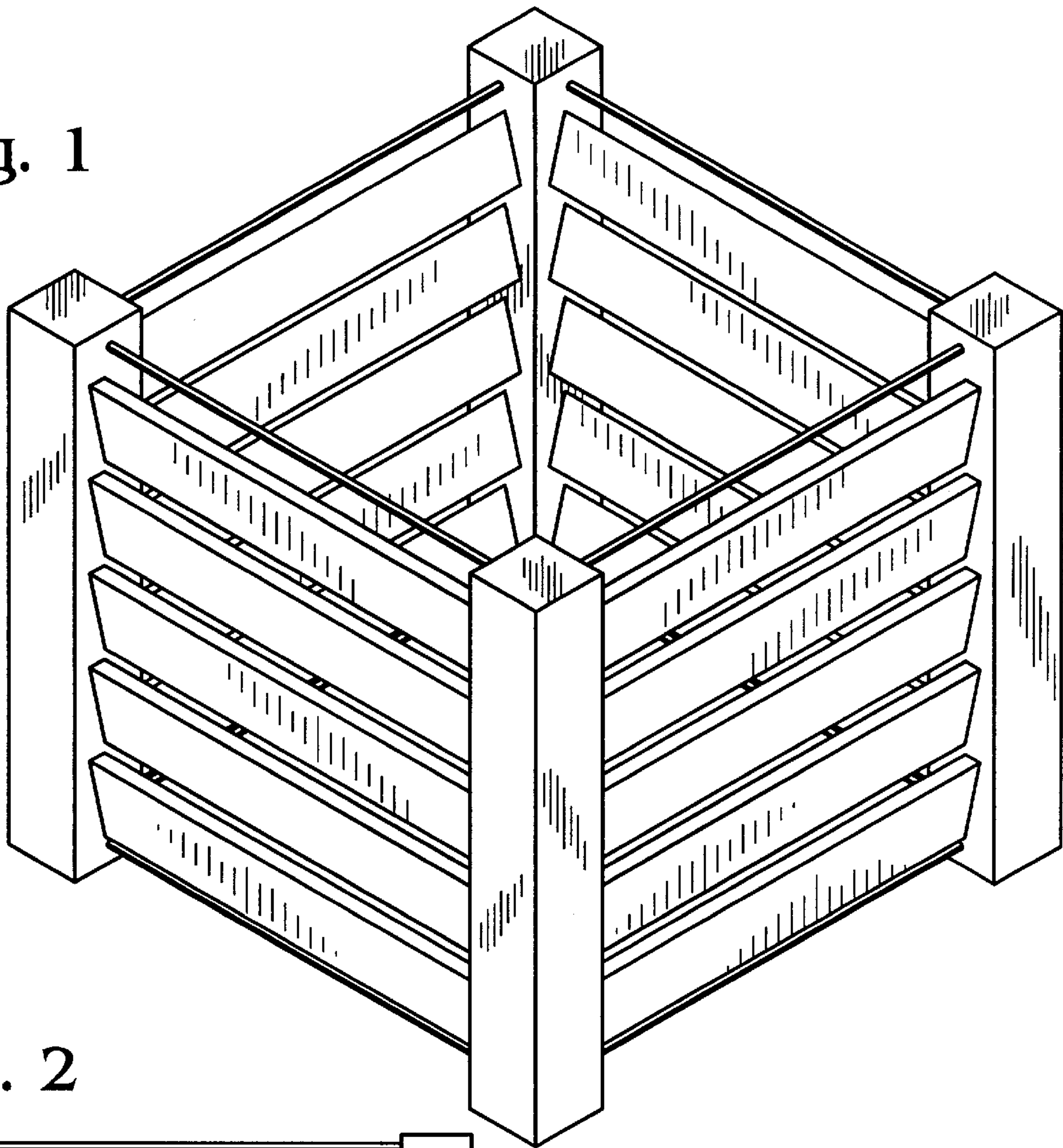


Fig. 2

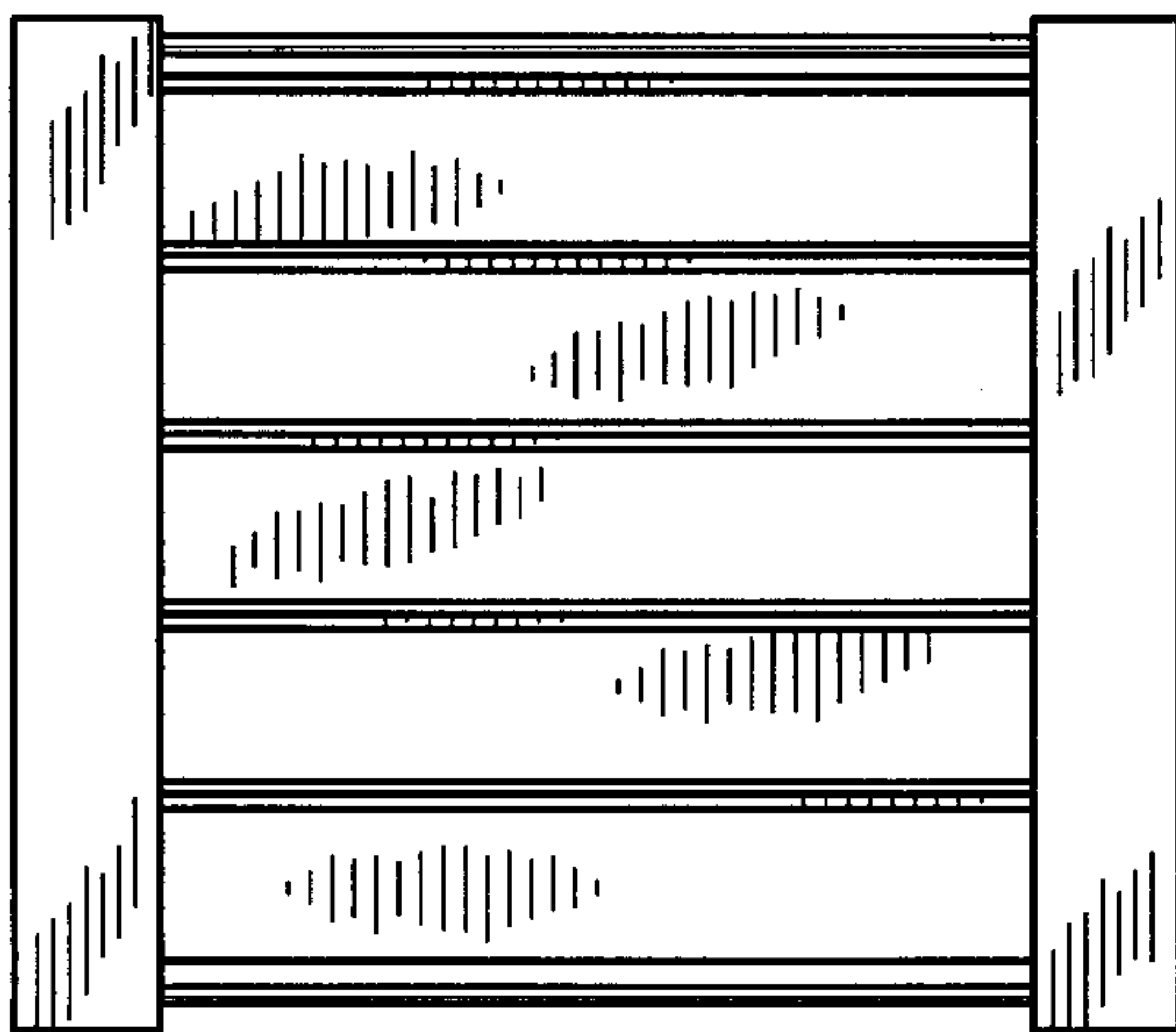


Fig. 3

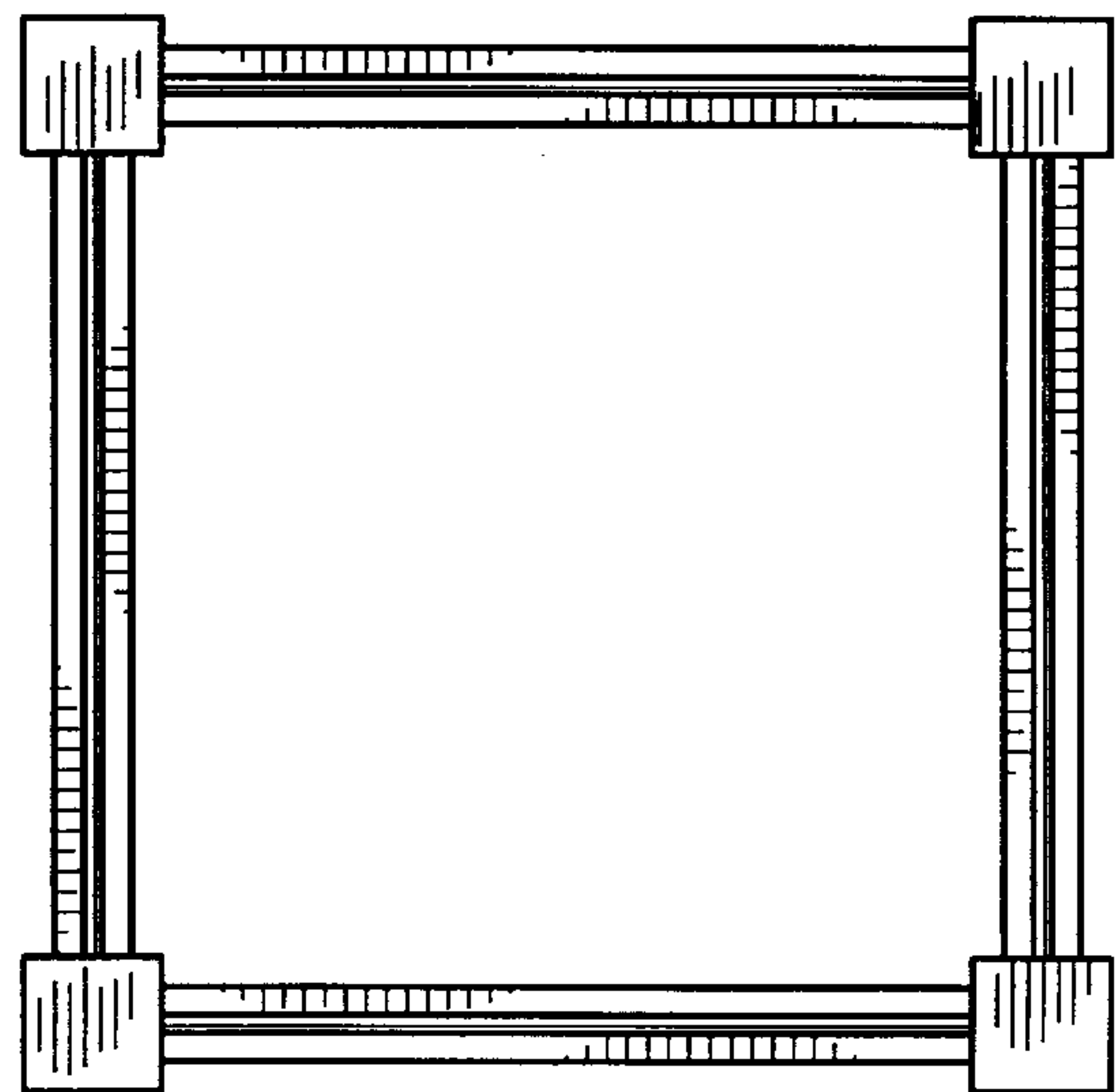


Fig. 4

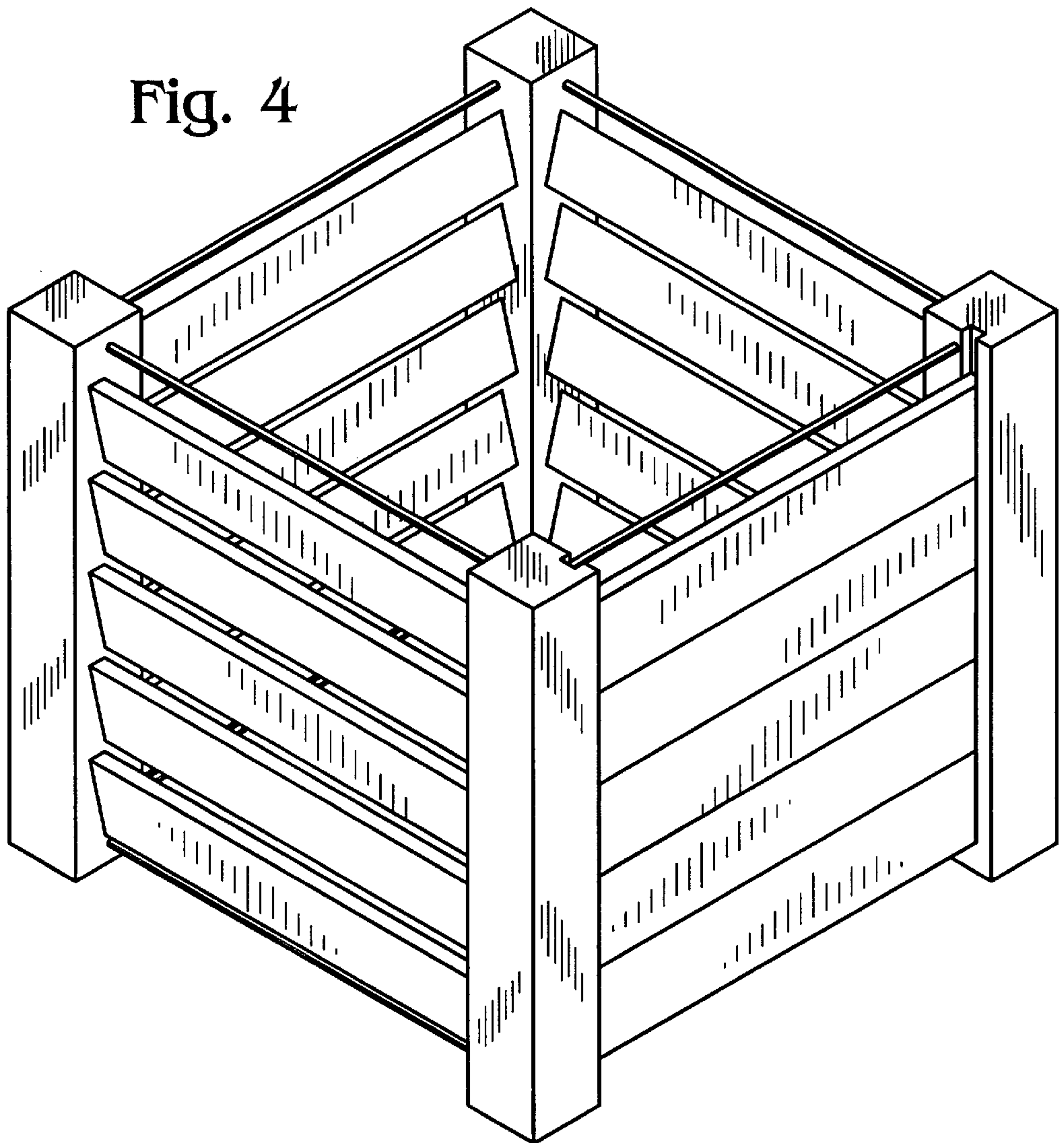


Fig. 5

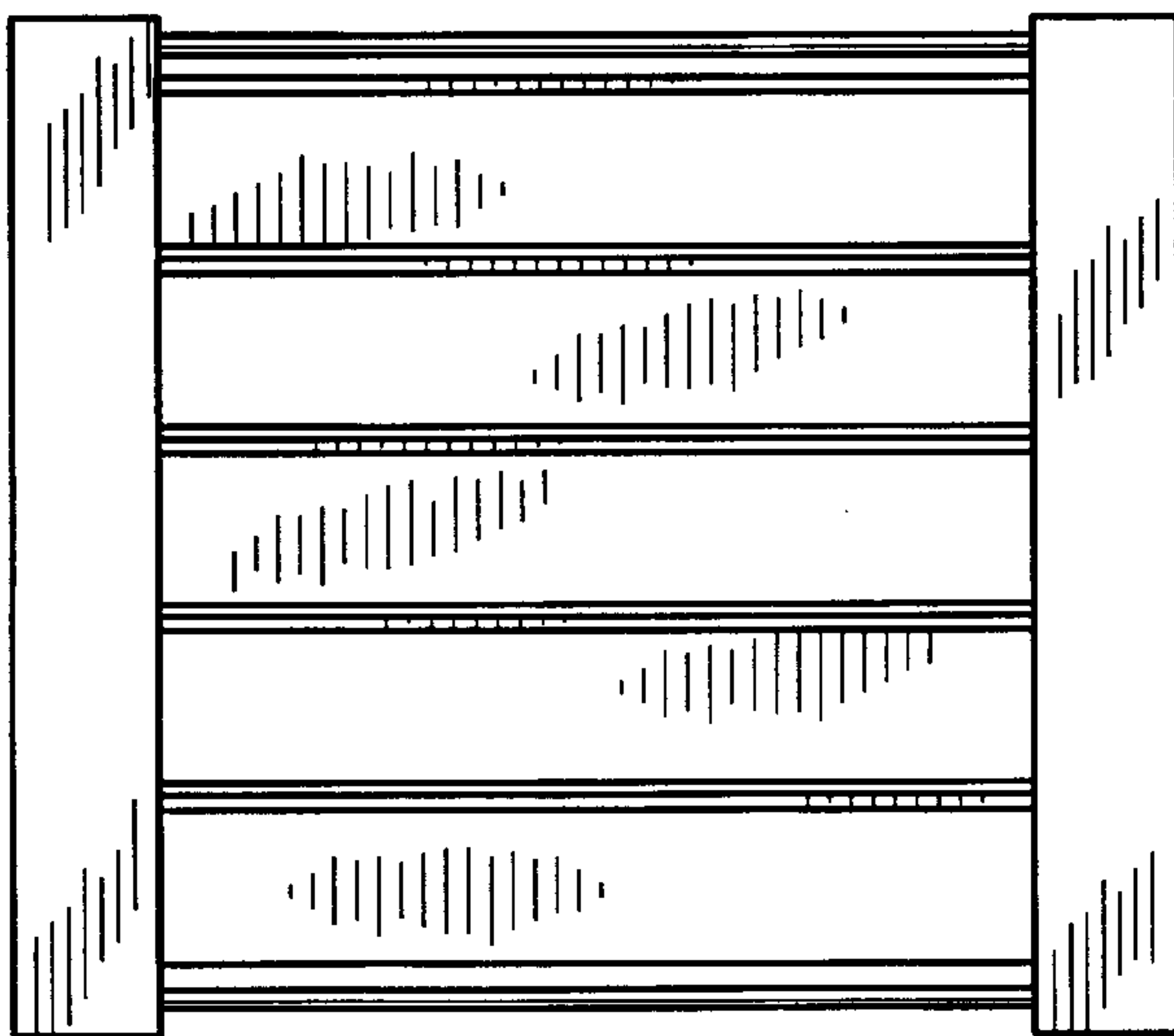


Fig. 6

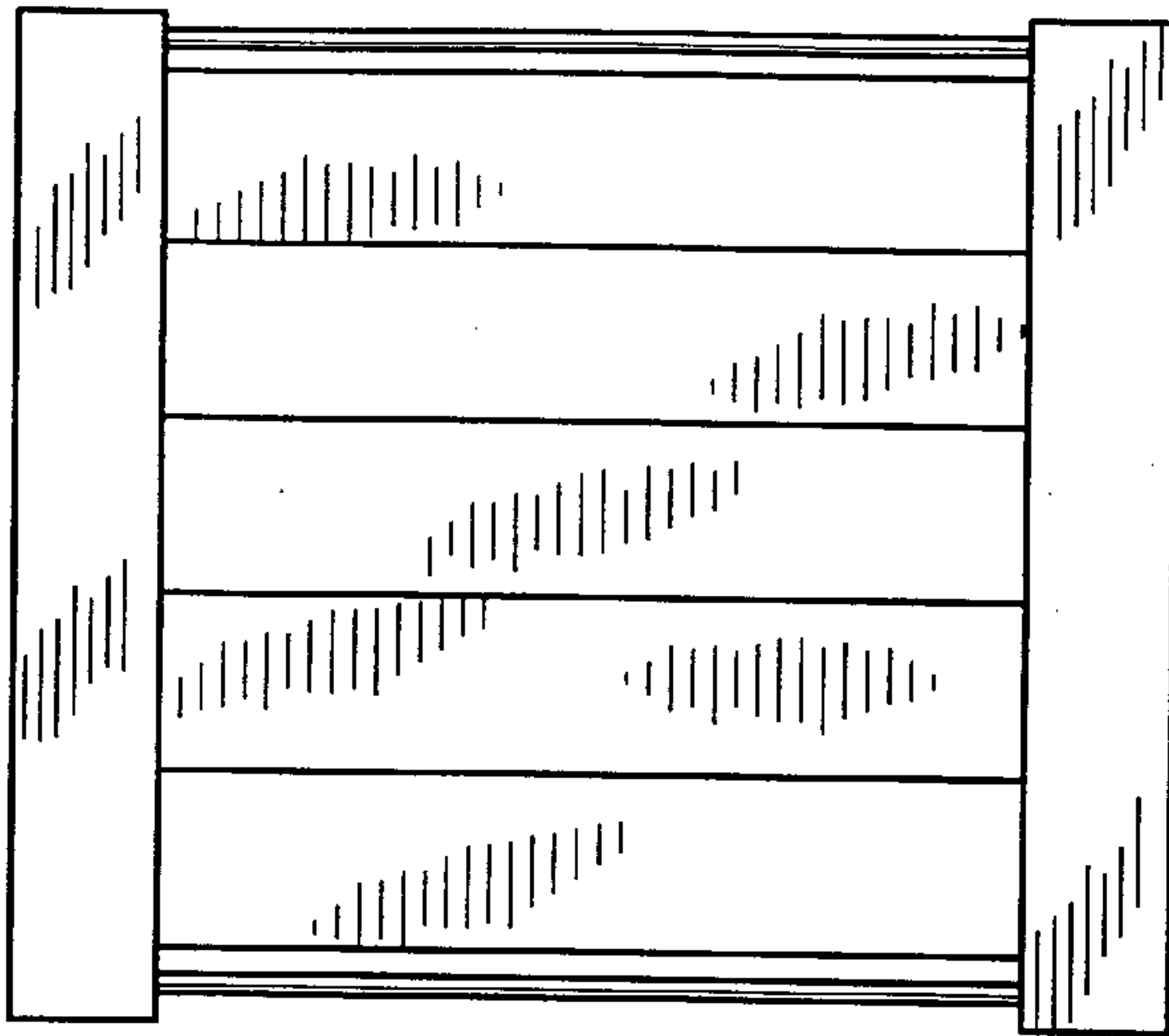


Fig. 7

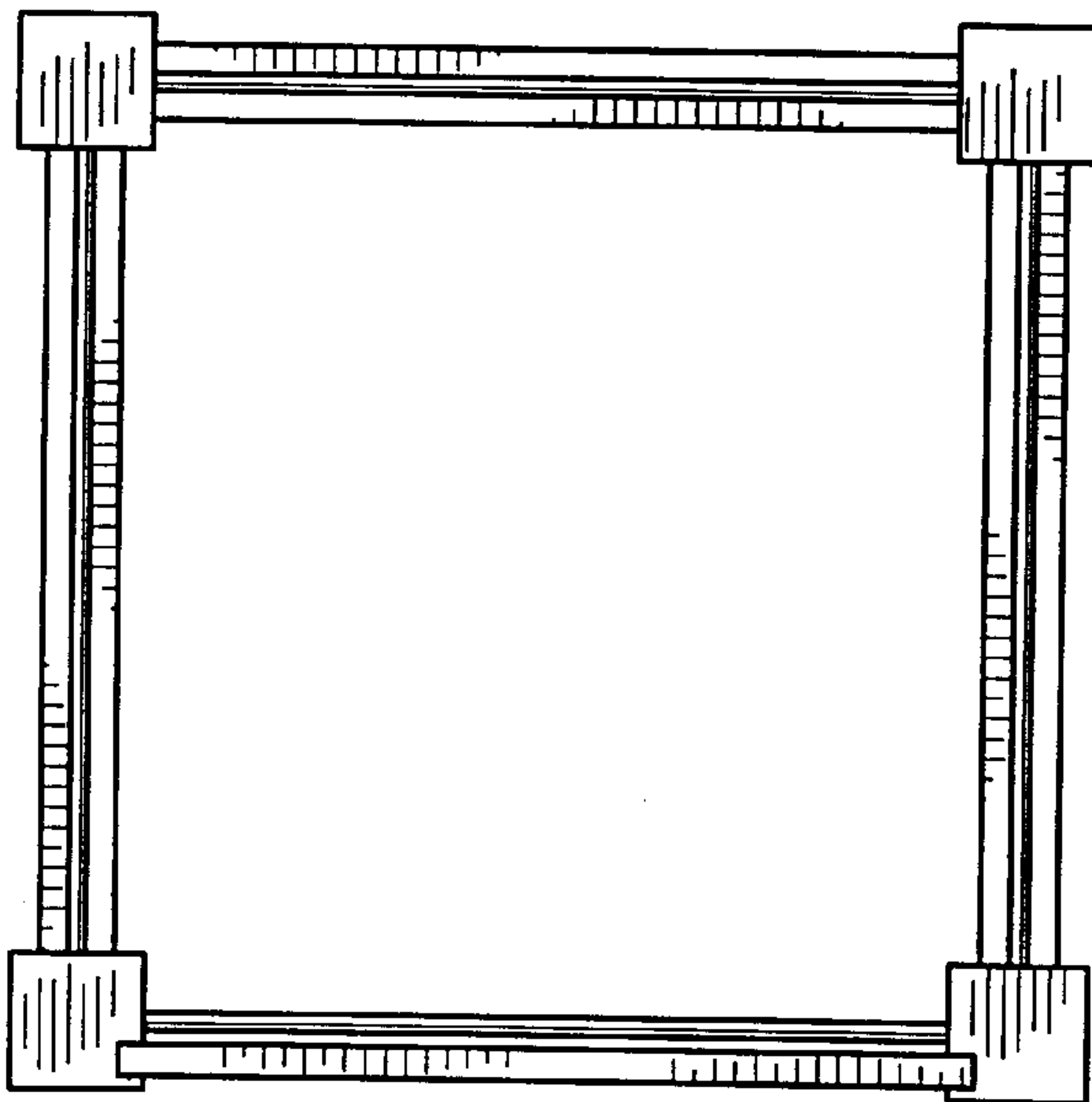


Fig. 8

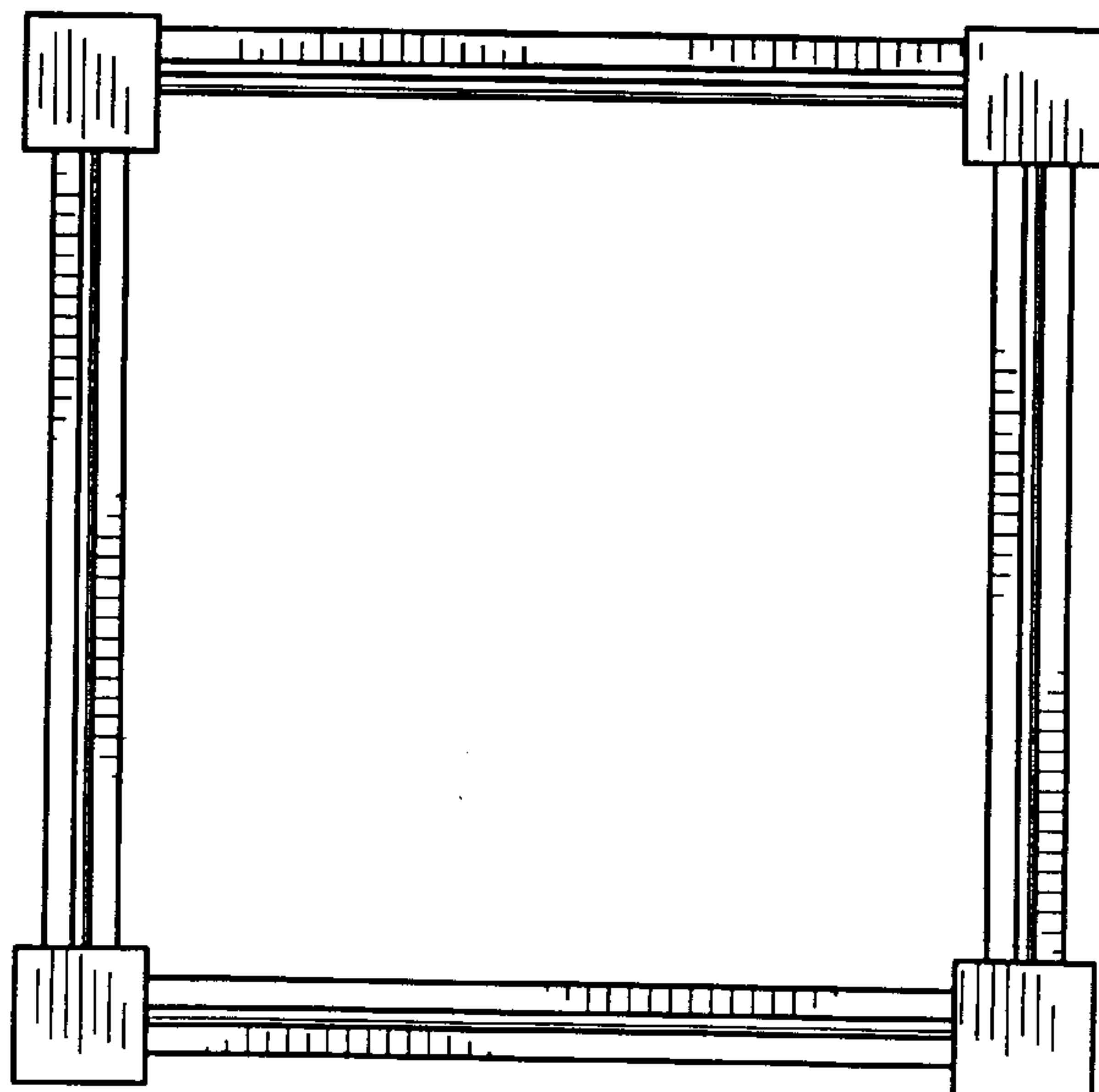




Fig. 9

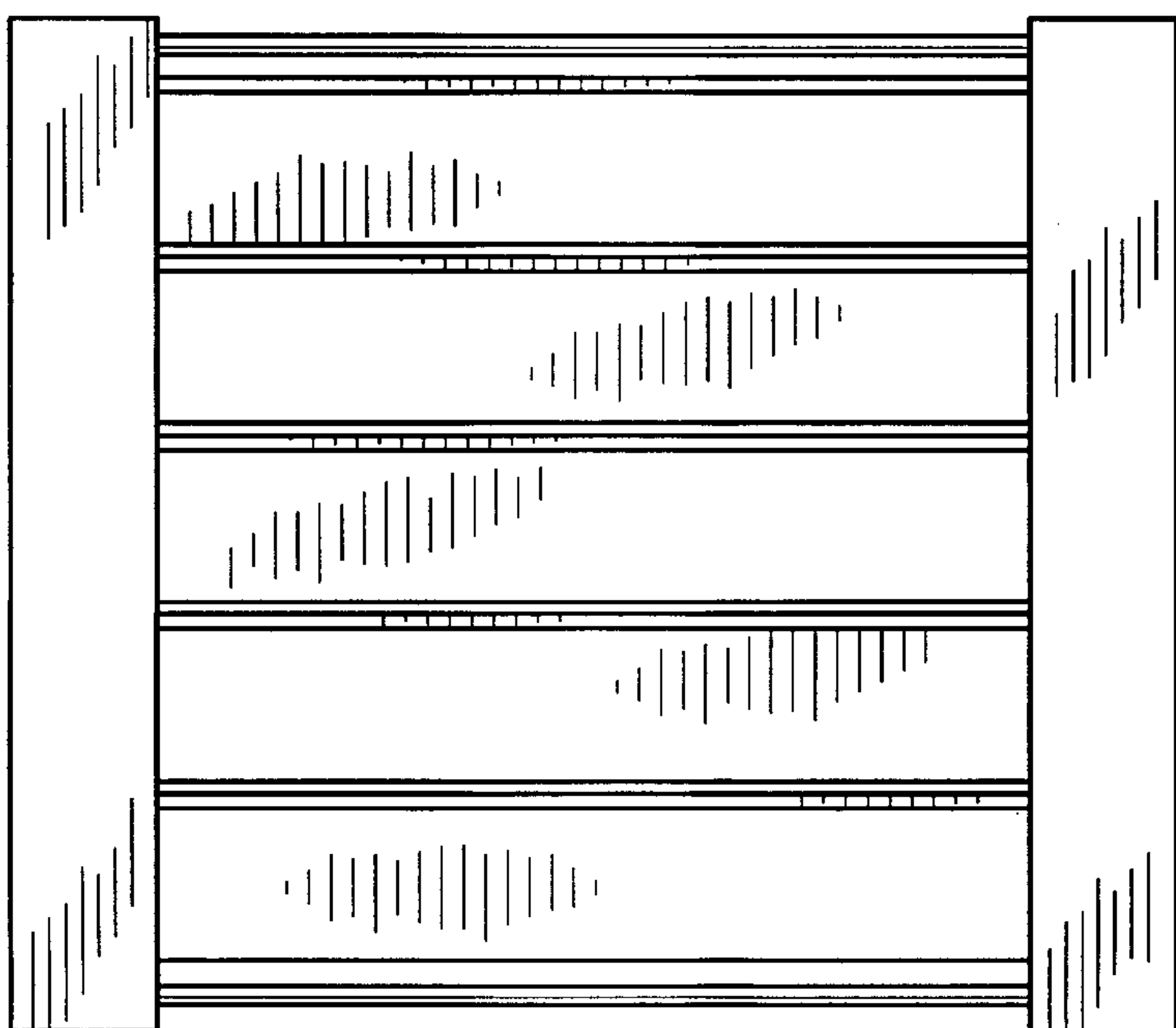
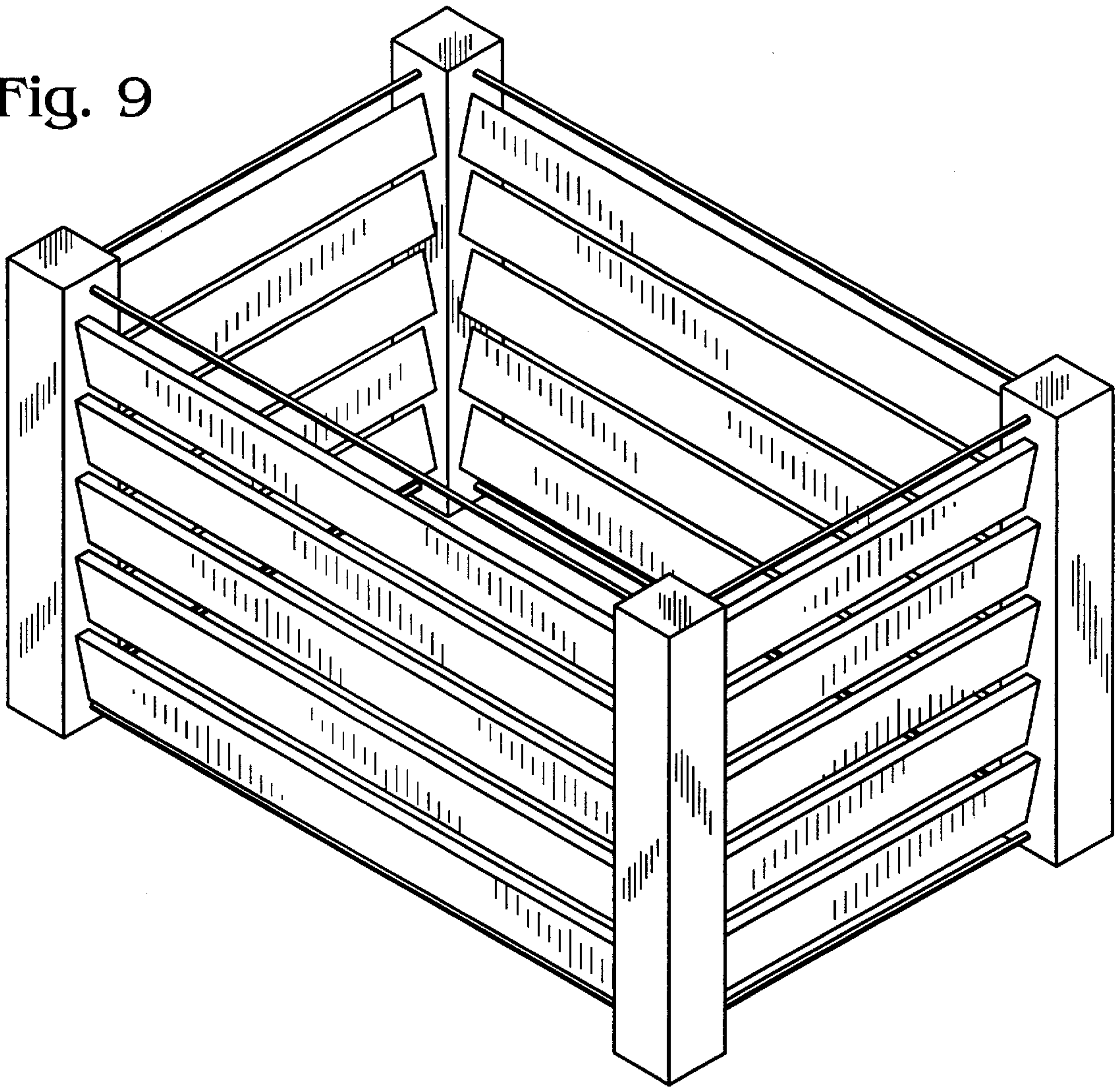


Fig. 10

Fig. 11

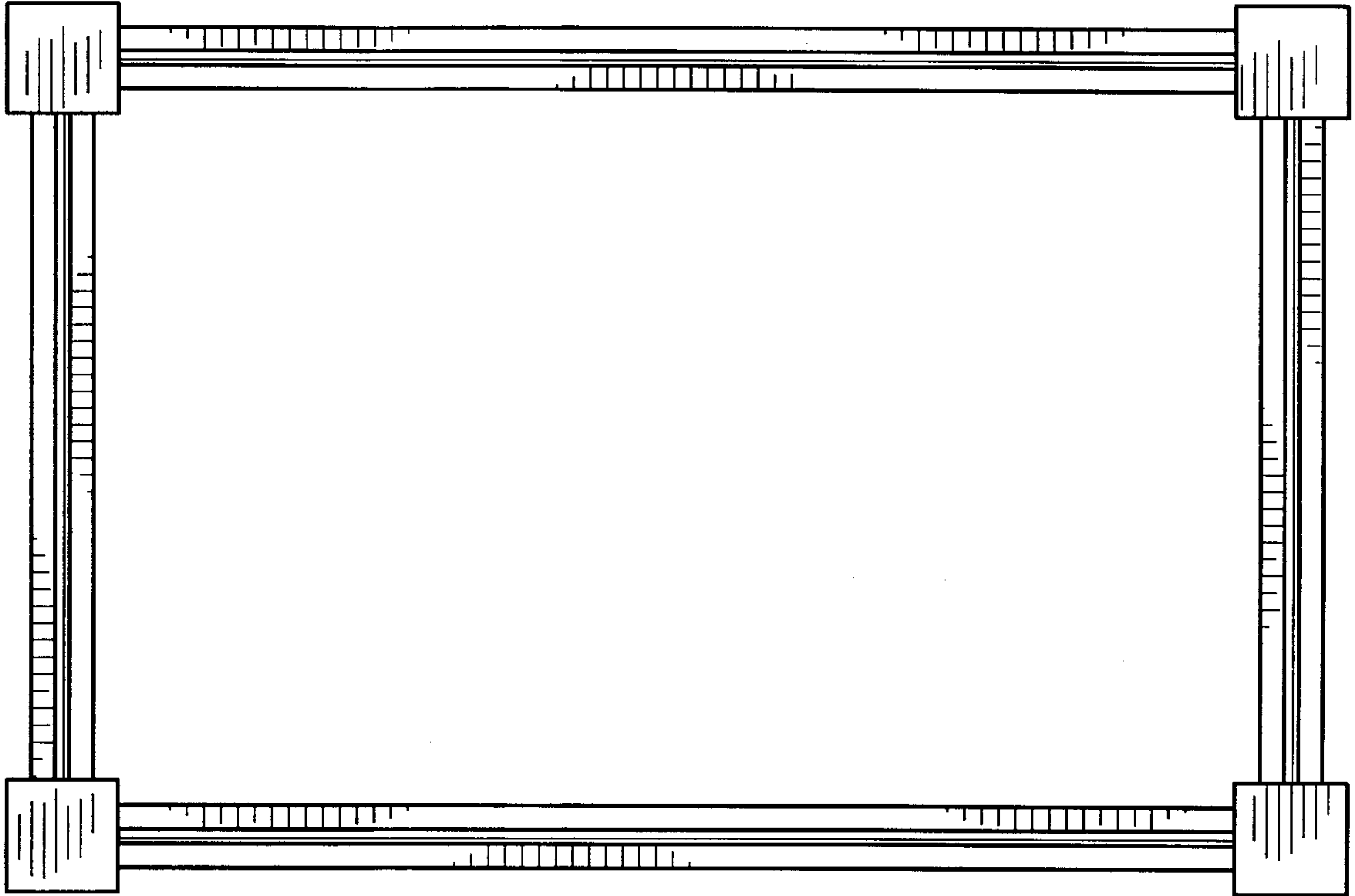


Fig. 12

