



US00D401717S

# United States Patent [19]

Grueber et al.

[11] **Patent Number: Des. 401,717**

[45] **Date of Patent: \*\*Nov. 24, 1998**

[54] **CARGO ROLLER**

[76] Inventors: **Randall A. Grueber**, 2831 Walker Lee Dr., Los Alamitos, Calif. 90720; **John A. Cookson**, 2412 Cliff Dr., Newport Beach, Calif. 92663

[\*\*] Term: **14 Years**

[21] Appl. No.: **70,399**

[22] Filed: **Apr. 16, 1997**

[51] **LOC (6) Cl. .... 12-05**

[52] **U.S. Cl. .... D34/29; D34/35**

[58] **Field of Search .... D34/28, 29, 35; 198/824, 345.1; 193/37**

[56] **References Cited**

**U.S. PATENT DOCUMENTS**

- D. 212,779 11/1968 Buschbom ..... D34/29
- D. 266,614 10/1982 Neville ..... D34/29

732,907	7/1903	Storr .....	193/37
2,761,547	9/1956	Gehrer .....	193/37
3,559,782	2/1971	Lesley .....	193/37
3,793,689	2/1974	Speith .....	193/37

*Primary Examiner*—Alan P. Douglas  
*Assistant Examiner*—Robin V. Taylor  
*Attorney, Agent, or Firm*—Howard A. Kenyon

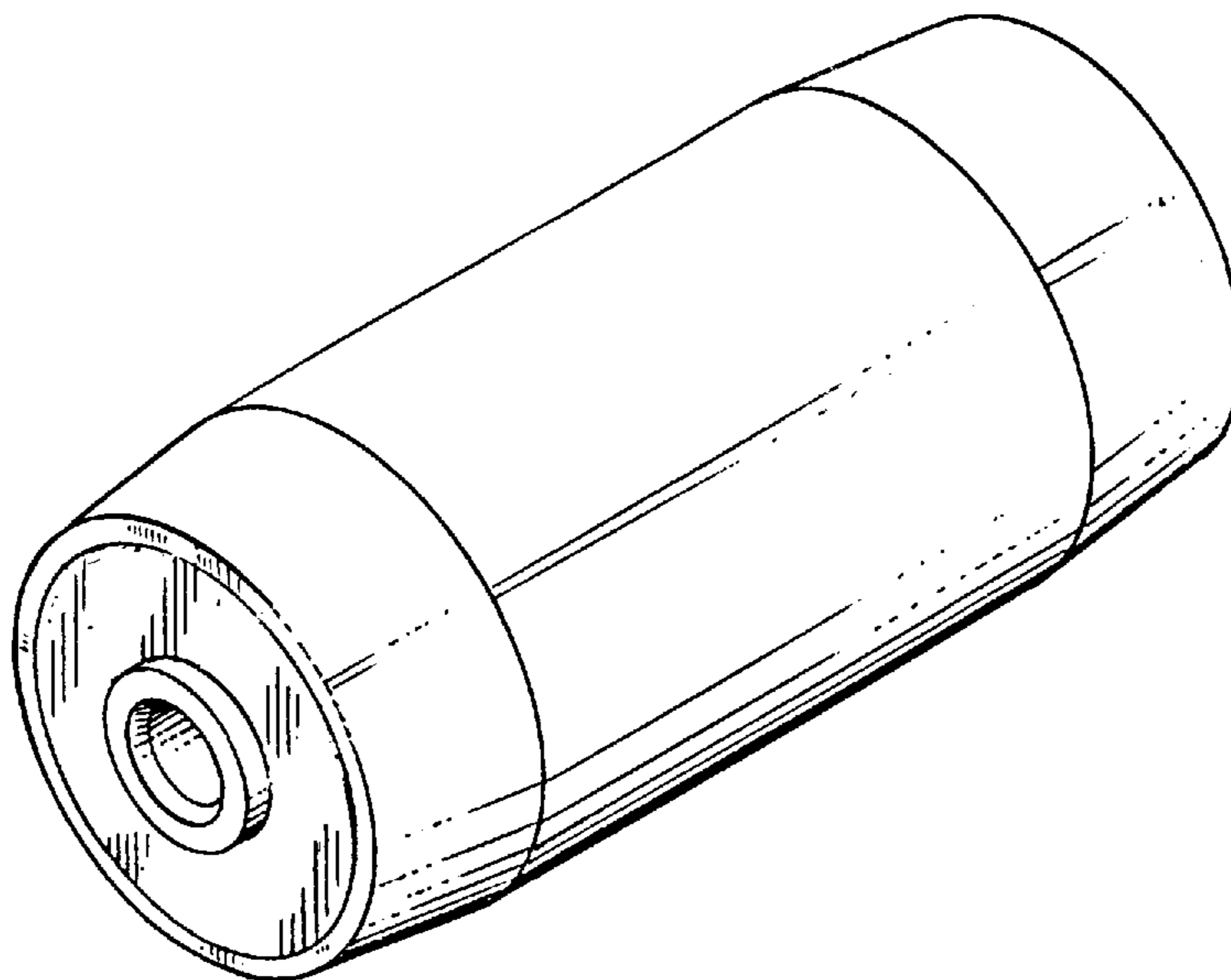
[57] **CLAIM**

We claim the ornamental design for a cargo roller, as shown and described.

**DESCRIPTION**

FIG. 1 is a front and side perspective view showing my design;  
FIG. 2 is a front view thereof, the rear view being a mirror image; and,  
FIG. 3 is an end view thereof, the rear view being a mirror image.

**1 Claim, 1 Drawing Sheet**



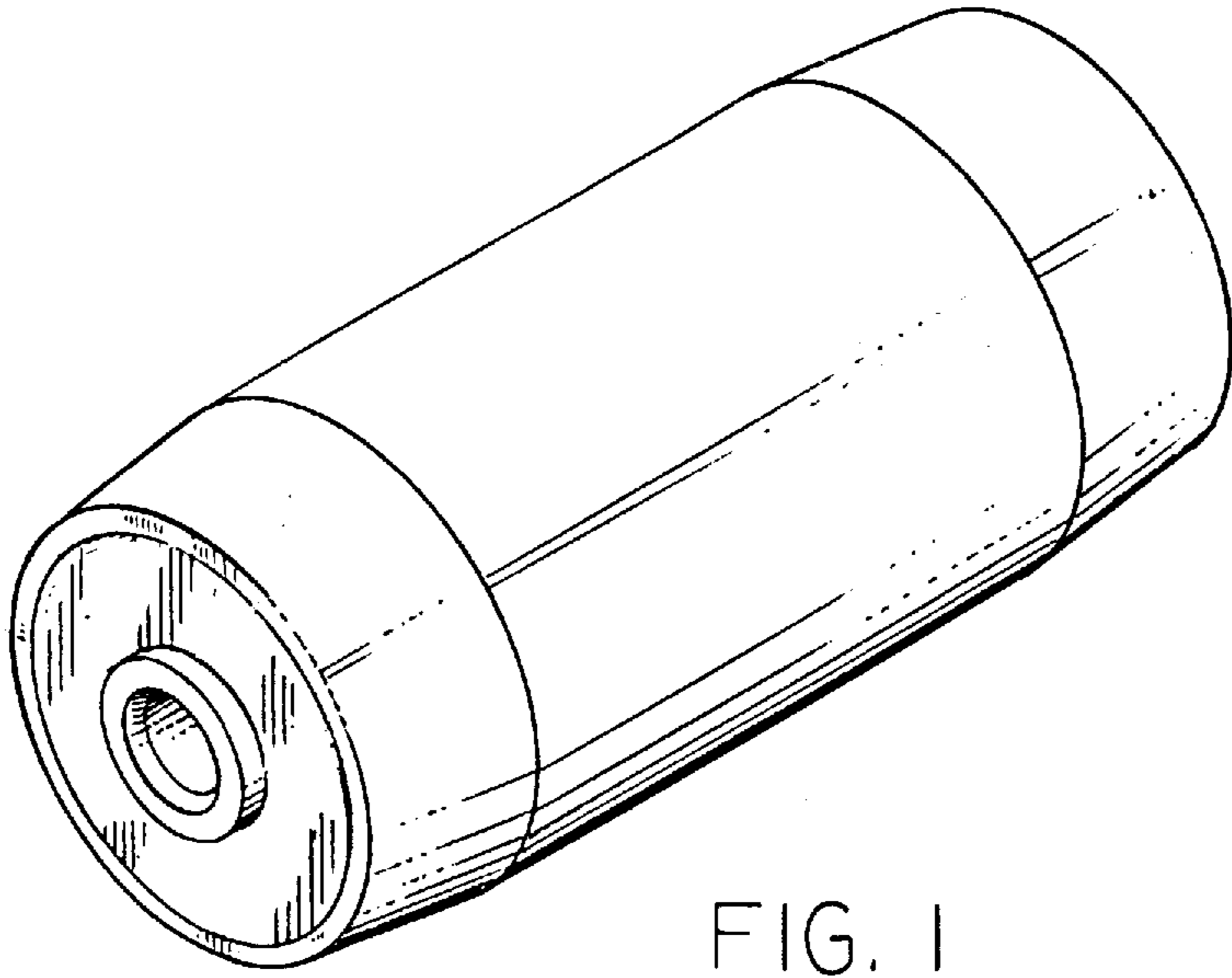


FIG. 1

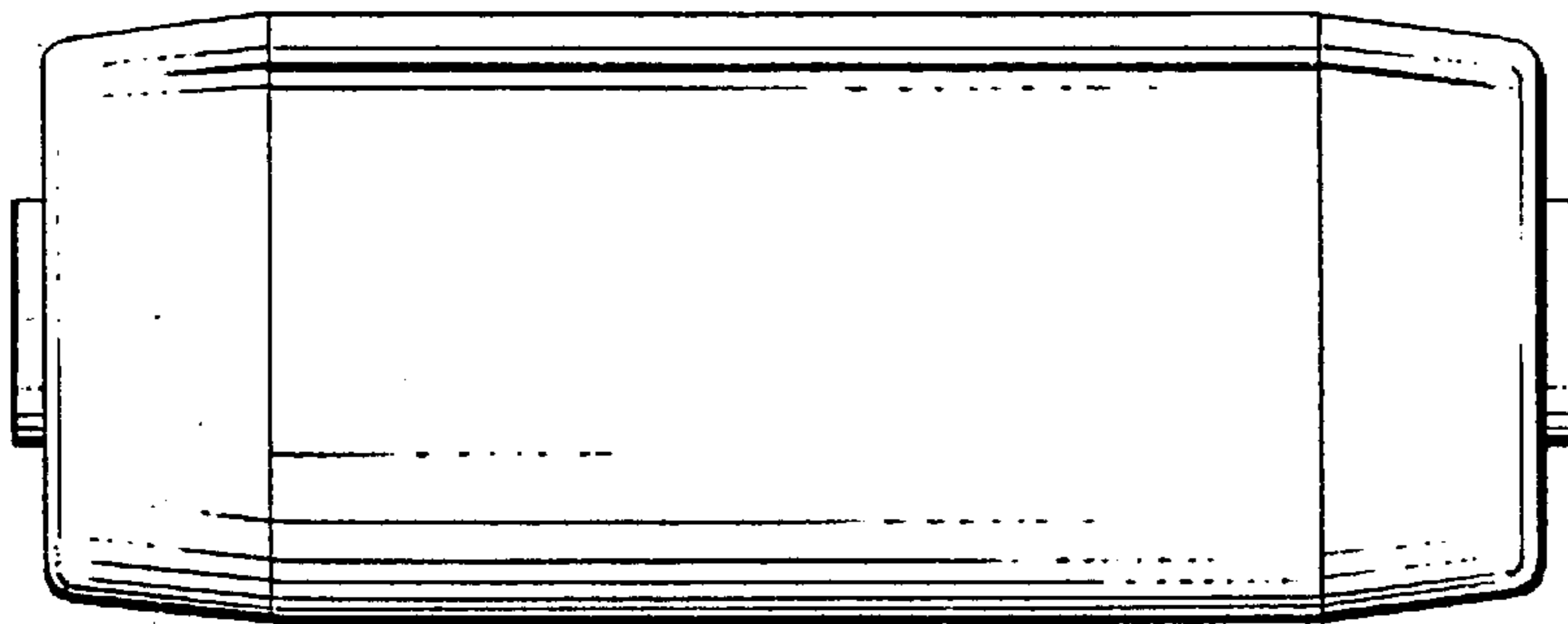


FIG. 2

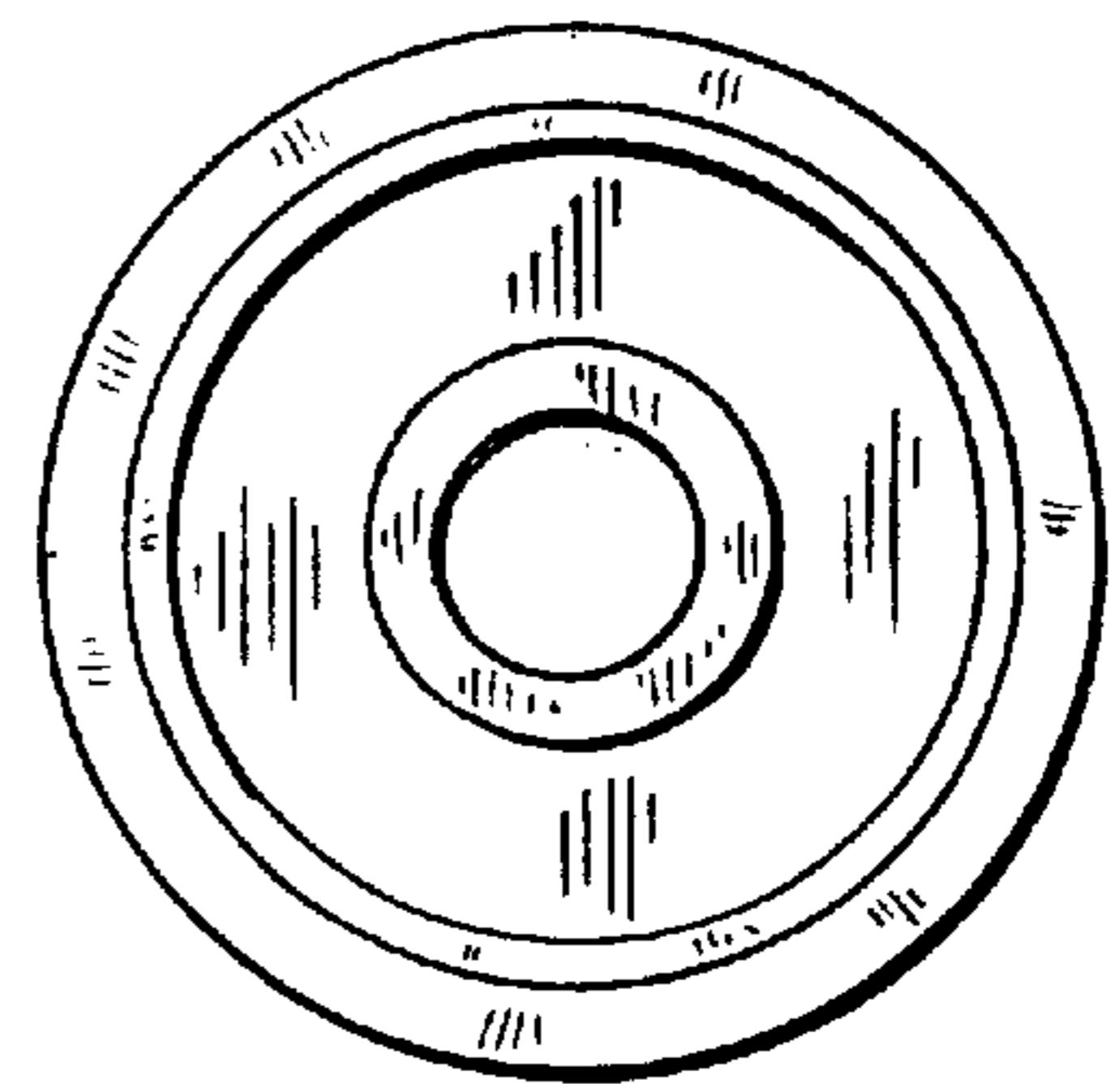


FIG. 3