

US00D401716S

United States Patent [19] Marcel

[11] **Patent Number: Des. 401,716**

[45] **Date of Patent: **Nov. 24, 1998**

[54] **HANDPOWERED PALLET TRUCK**

[75] Inventor: **Luthy André Marcel**, Ulm, Germany

[73] Assignee: **Mecanique Industrie Chimie-Mic**,
Rungis, France

[**] Term: **14 Years**

[21] Appl. No.: **63,985**

[22] Filed: **Dec. 20, 1996**

[30] Foreign Application Priority Data

Jun. 21, 1996 [FR] France 963673

[51] **LOC (6) Cl.** **12-05**

[52] **U.S. Cl.** **D34/34; D34/28**

[58] **Field of Search** D34/28, 34; 280/43.12;
180/19.1, 19.2, 19.3

[56] References Cited

U.S. PATENT DOCUMENTS

D. 348,759 7/1994 Bhambra D34/34

| | | | |
|-----------|--------|---------------|-----------|
| 3,026,089 | 3/1962 | Meister | 280/43.12 |
| 4,223,901 | 9/1980 | Klemick | 280/43.12 |
| 4,589,669 | 5/1986 | Kedem | 280/43.12 |
| 4,669,561 | 6/1987 | Sheen | 180/19.1 |

Primary Examiner—Alan P. Douglas
Assistant Examiner—Robin V. Taylor
Attorney, Agent, or Firm—Amster, Rothstein & Ebenstein

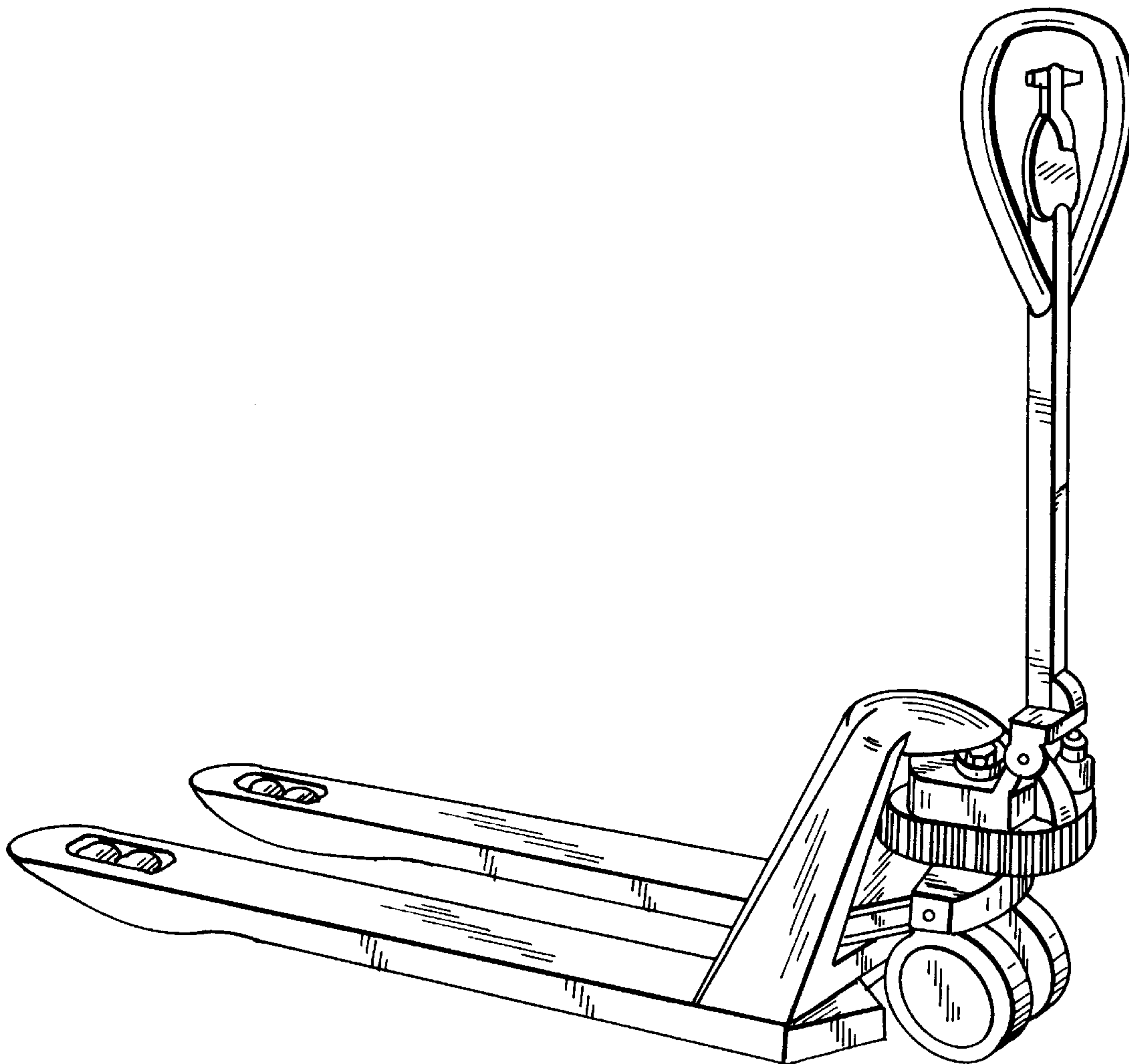
[57] CLAIM

The ornamental design for a handpowered pallet truck, as shown and described.

DESCRIPTION

FIG. 1 is a isometric view from the front, top and one side of a handpowered pallet truck showing my new design; FIG. 2 is a top plan view thereof; FIG. 3 is a bottom plan view thereof; and, FIG. 4 is a front elevational view thereof. The opposite side elevational views are mirror images.

1 Claim, 4 Drawing Sheets



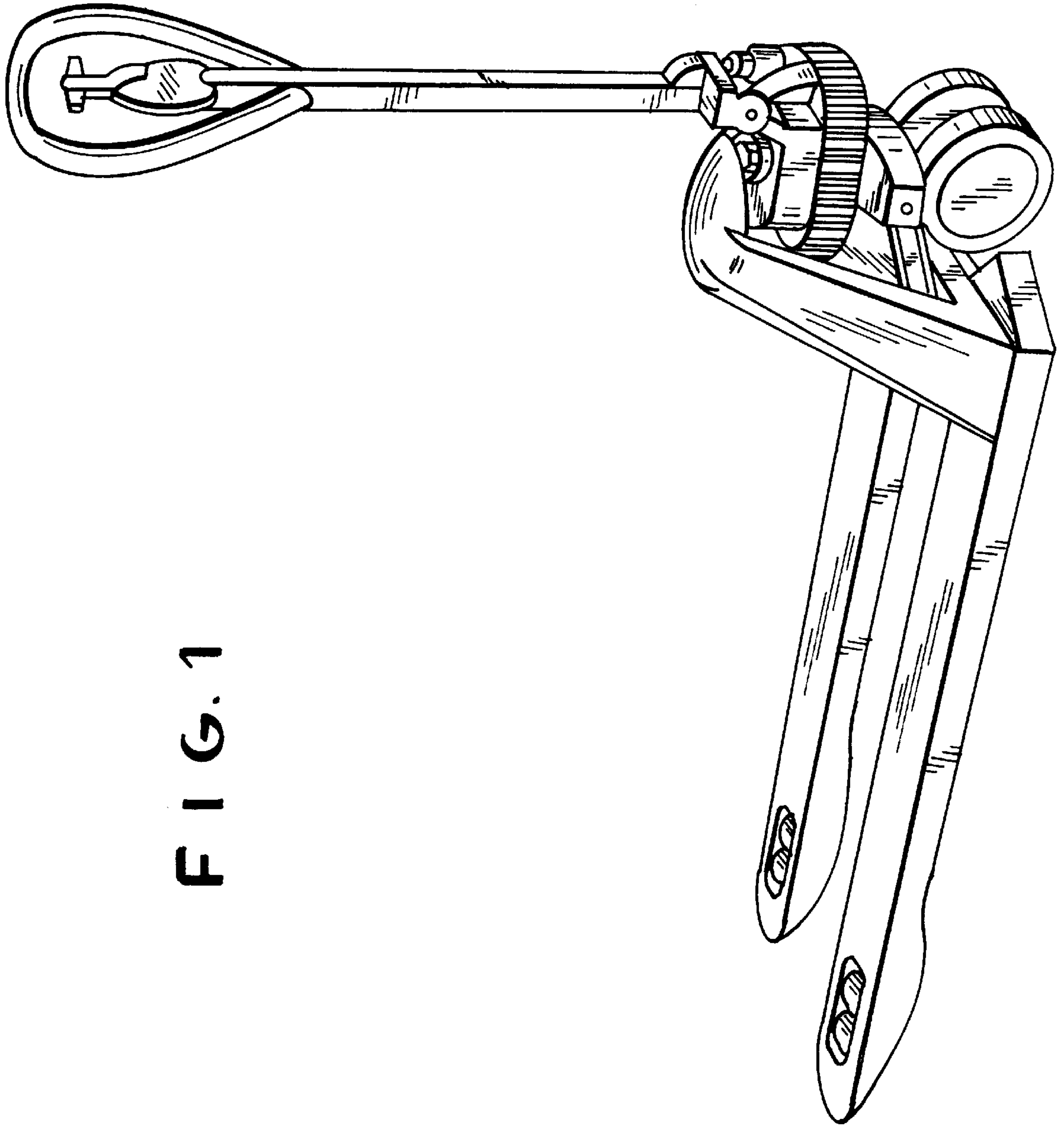


FIG. 1

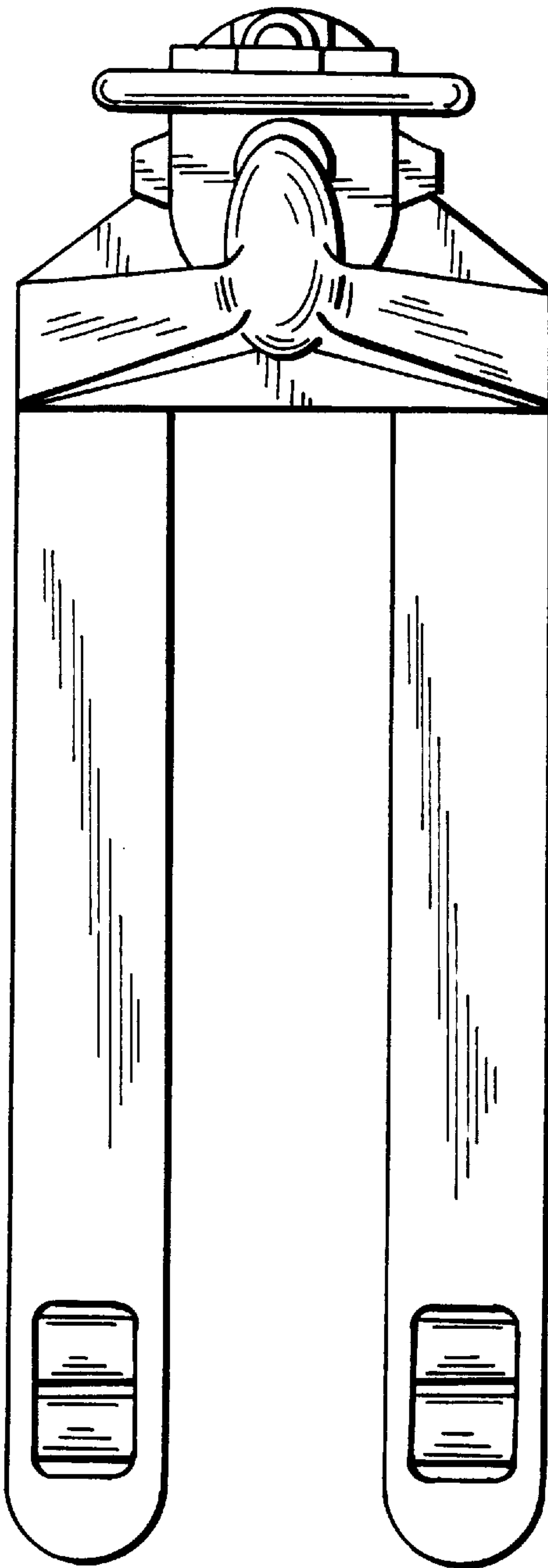


FIG. 2

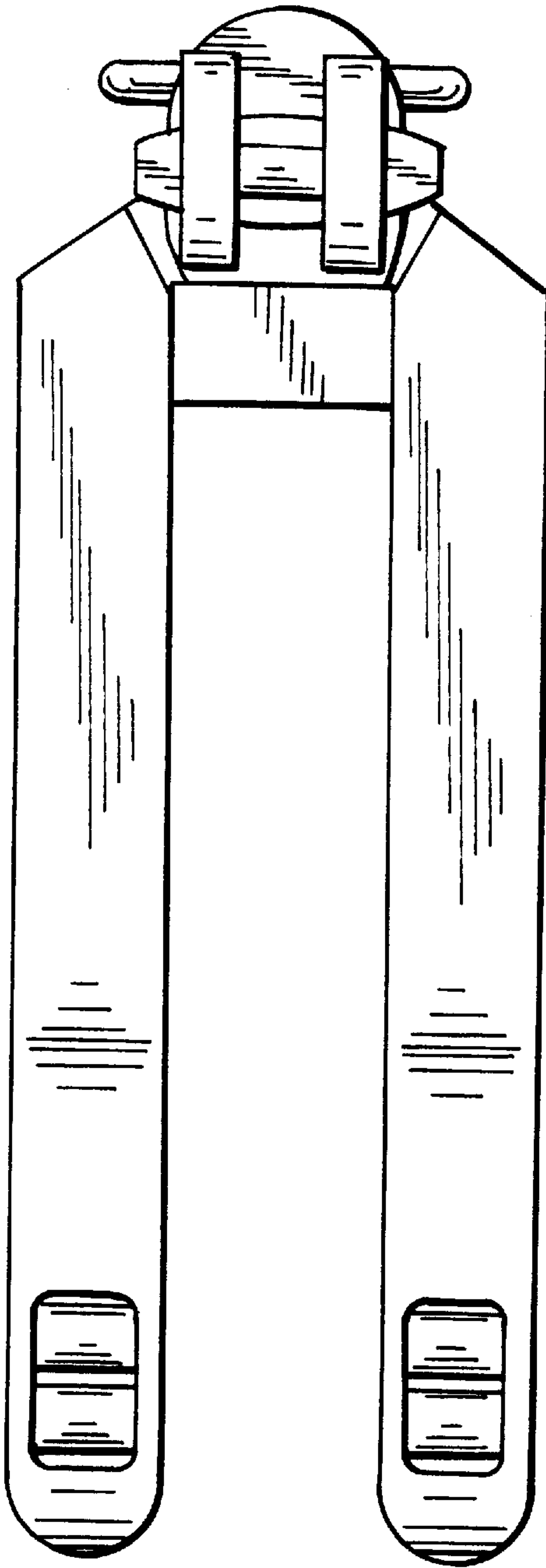


FIG. 3

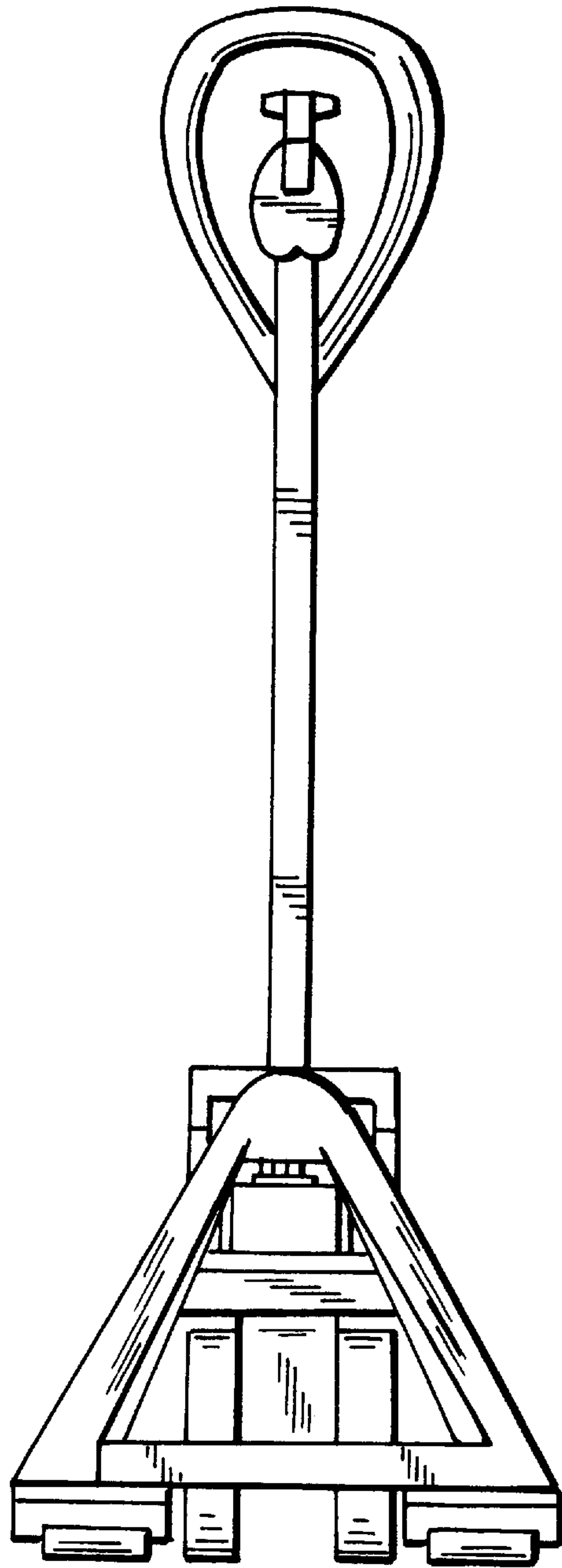


FIG. 4