



US00D401712S

**United States Patent** [19]  
**Daniels**

[11] **Patent Number: Des. 401,712**

[45] **Date of Patent: \*\*Nov. 24, 1998**

[54] **HOUSEHOLD CLEANING CART**

[76] Inventor: **Juanita M. Daniels**, 6025 Overbrook Ave., Philadelphia, Pa. 19131

[\*\*] Term: **14 Years**

[21] Appl. No.: **75,736**

[22] Filed: **Aug. 27, 1997**

[51] **LOC (6) Cl.** ..... **12-02**

[52] **U.S. Cl.** ..... **D34/20; D34/19; D32/53**

[58] **Field of Search** ..... D34/12-27; 280/79.11, 280/79.2, 79.5, 47.34; D32/53, 23; 15/264, 260, 262

[56] **References Cited**

**U.S. PATENT DOCUMENTS**

D. 345,236 3/1994 Chen ..... D32/53

D. 348,550 7/1994 Cox et al. .... D34/23  
D. 374,321 10/1996 Mandell et al. .... D32/53  
4,861,050 8/1989 Bergeron ..... 248/129 X  
5,183,280 2/1993 Gresch ..... 280/79.5  
5,392,944 2/1995 Sherwin ..... 280/47.35

*Primary Examiner*—Kay H. Chin  
*Attorney, Agent, or Firm*—Susan B. Evans; Evans & Burrell

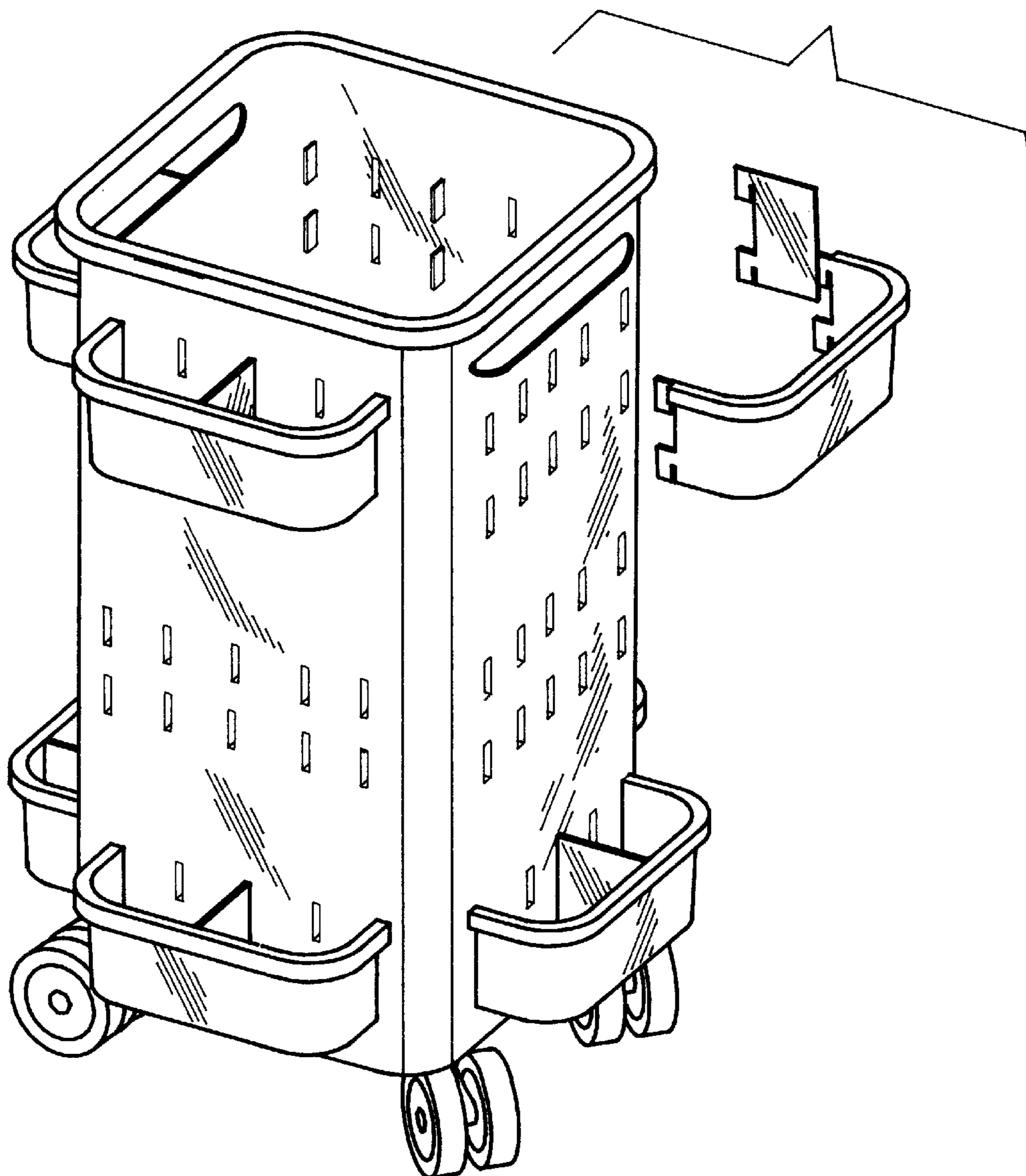
[57] **CLAIM**

The ornamental design for a household cleaning cart, as shown and described.

**DESCRIPTION**

FIG. 1 is a top and side perspective view of a household cleaning cart in partially exploded condition, showing my new design.

**1 Claim, 1 Drawing Sheet**



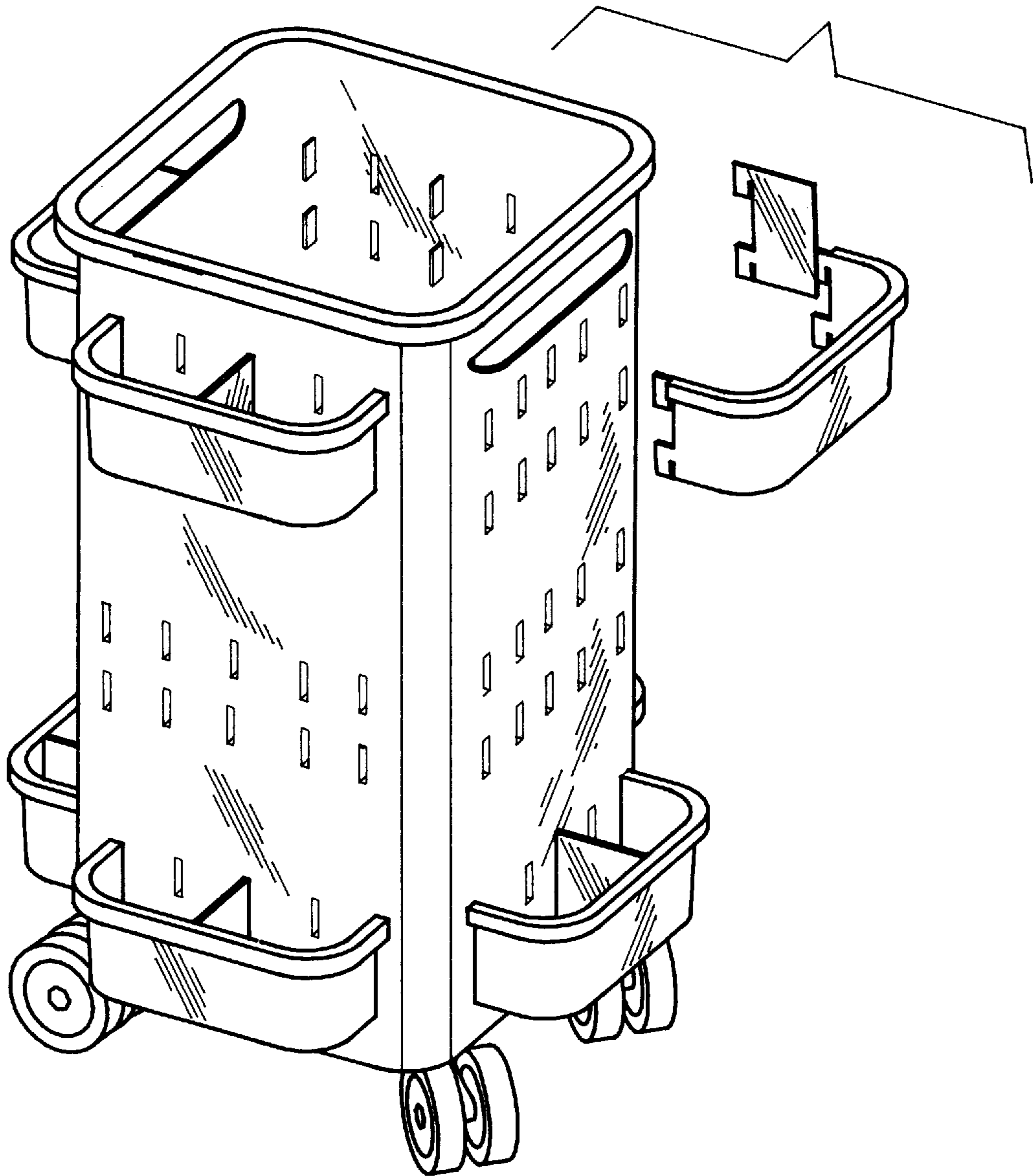


Fig 1