



US00D401710S

# United States Patent [19] Genovese

[11] **Patent Number: Des. 401,710**

[45] **Date of Patent: \*\*Nov. 24, 1998**

[54] **VENDING CART**

[76] Inventor: **Alan A. Genovese**, 702 Spirit 40 Ct.,  
Suite 110, Clarkson Valley, Mo. 63005

[\*\*] Term: **14 Years**

[21] Appl. No.: **81,090**

[22] Filed: **Dec. 19, 1997**

### Related U.S. Application Data

[63] Continuation-in-part of Ser. No. 52,420, Mar. 29, 1996, Pat.  
No. Des. 388,023.

[51] **LOC (6) Cl.** ..... **12-02**

[52] **U.S. Cl.** ..... **D34/13**

[58] **Field of Search** ..... D34/12-27; 296/22

### [56] References Cited

#### U.S. PATENT DOCUMENTS

- D. 148,412 1/1948 Goodman ..... 34/18
- D. 154,788 8/1949 Loyacano et al. .... D34/13
- D. 181,254 10/1957 Heffelfinger ..... 12/1
- D. 228,063 8/1973 Keeshin et al. .... D34/14
- D. 228,631 10/1973 Rogove et al. .... 34/18

- D. 234,945 4/1975 McCooey ..... 34/13
- D. 322,500 12/1991 Van Stokkum ..... 34/13
- D. 383,280 9/1997 Genovese ..... D34/13
- D. 384,463 9/1997 Genovese ..... D34/13
- D. 388,023 12/1997 Genovese ..... D12/1

### OTHER PUBLICATIONS

Lucky Dogs, Inc. U.S. Trademark Registration No. 1,429,  
464; Lucky Dogs and Design; Registered Feb. 17, 1987.

*Primary Examiner*—Kay H. Chin

*Attorney, Agent, or Firm*—Senniger, Powers, Leavitt &  
Roedel

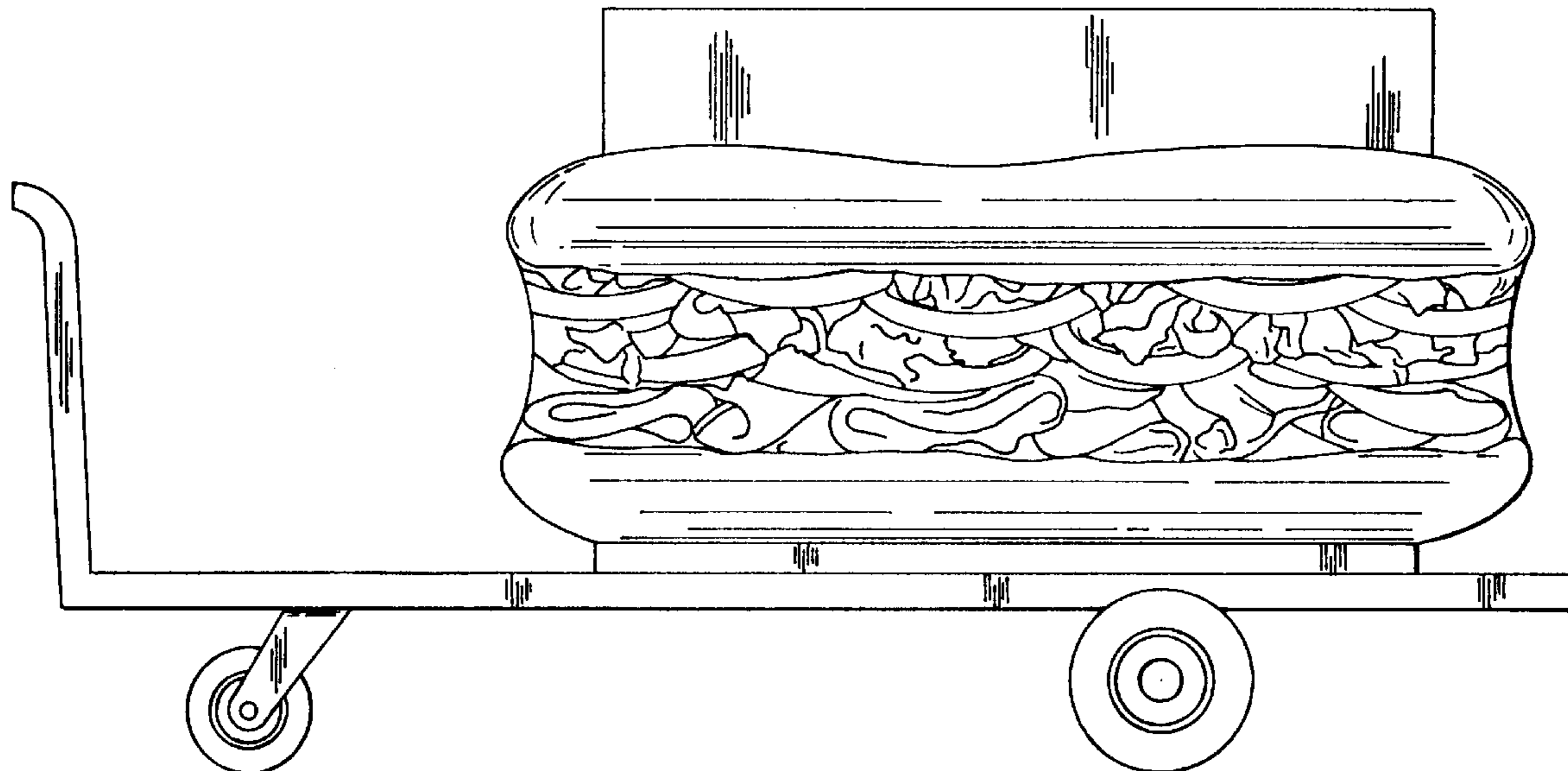
### [57] CLAIM

The ornamental design for a vending cart, as shown and  
described.

### DESCRIPTION

FIG. 1 is a front elevational view of a vending cart showing  
my new design, the rear being a mirror image of this view;  
FIG. 2 is a top plan view of FIG. 1;  
FIG. 3 is a bottom plan view of FIG. 1;  
FIG. 4 is a right side elevational view of FIG. 1; and,  
FIG. 5 is a left side elevational view of FIG. 1.

**1 Claim, 4 Drawing Sheets**



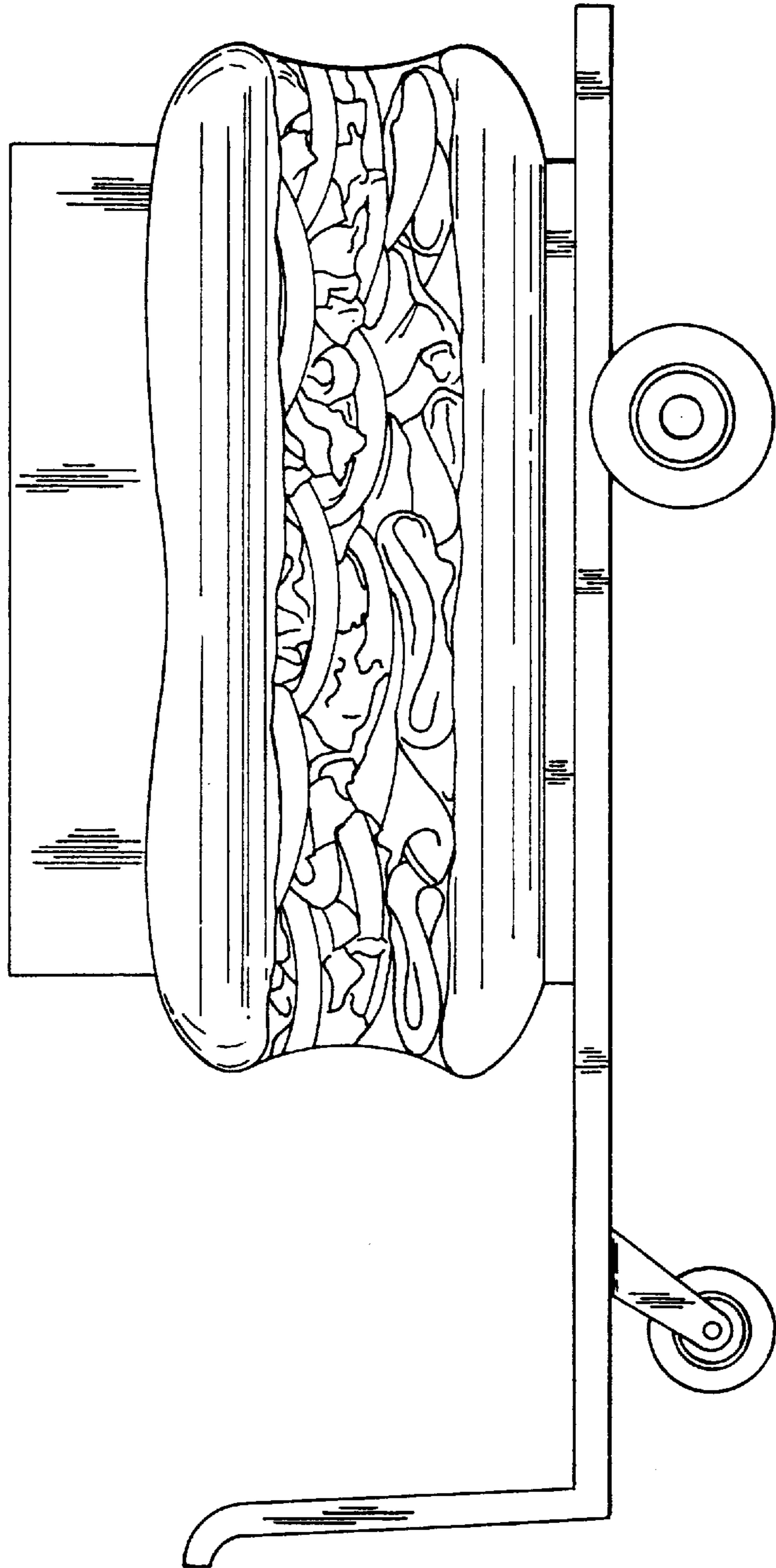


FIG. 1

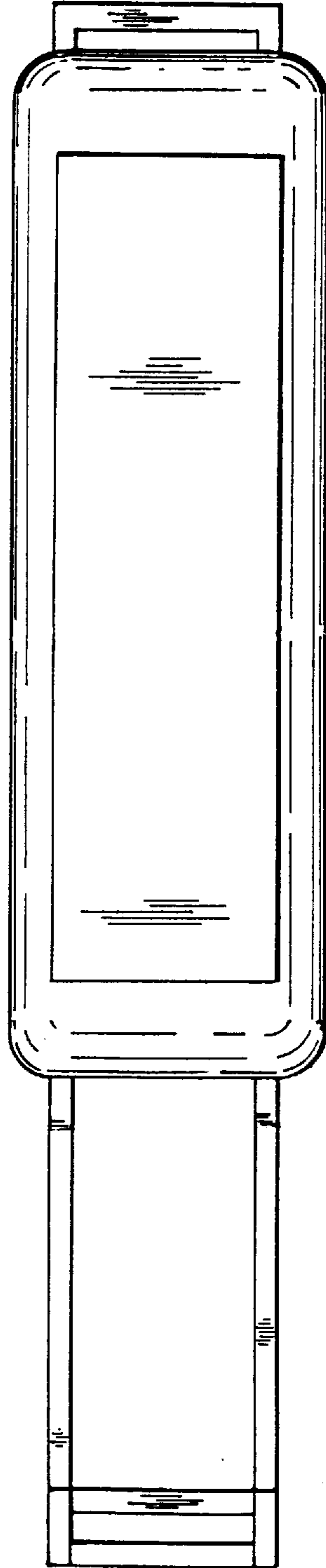


FIG. 2

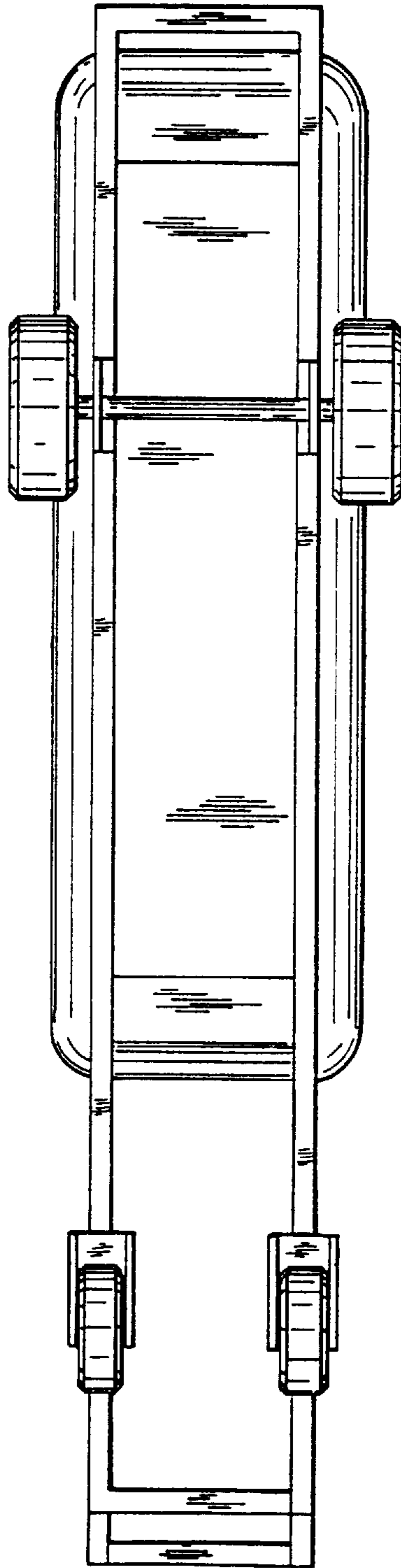


FIG. 3

FIG. 5

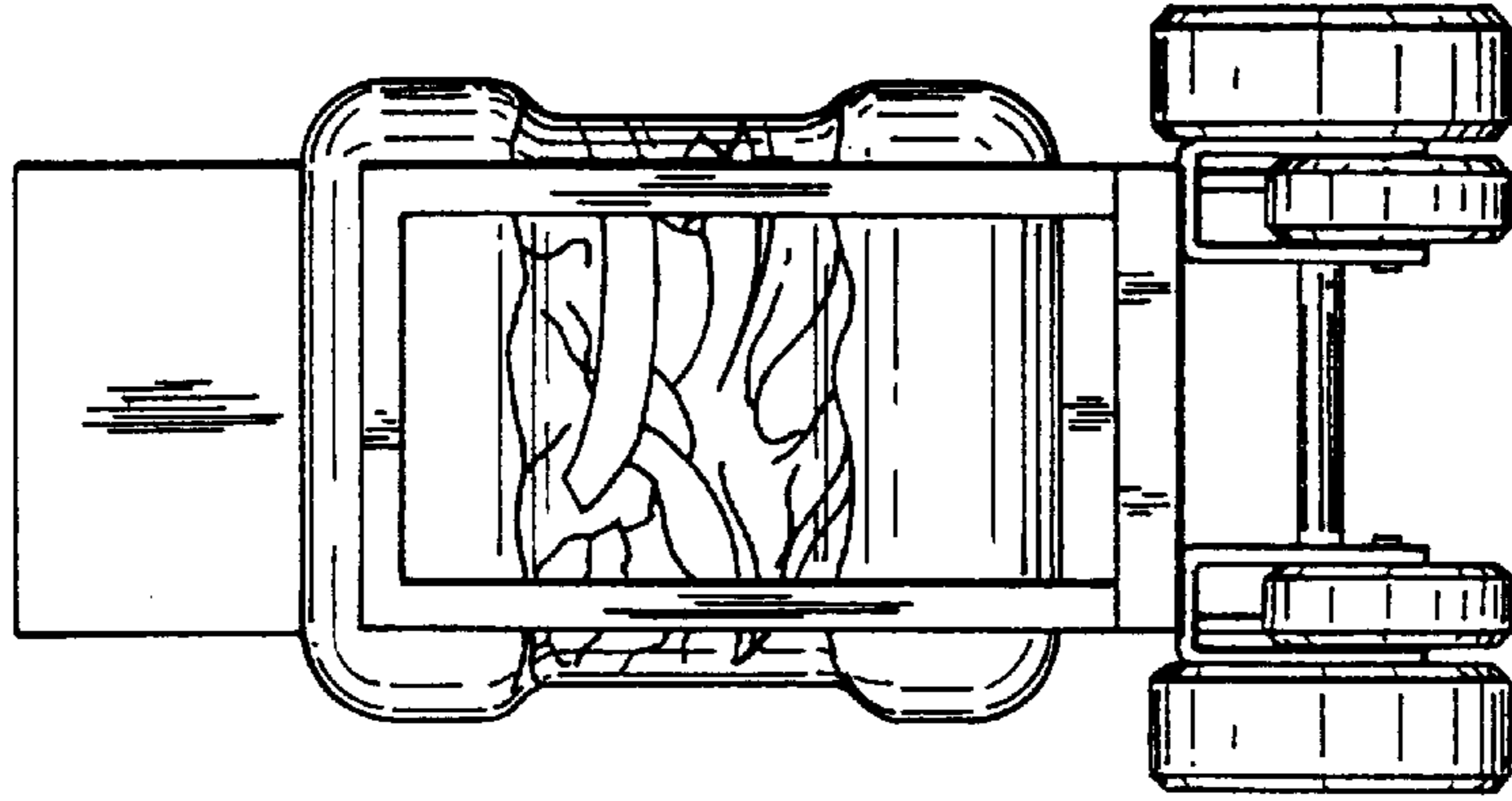


FIG. 4

