



US00D401709S

**United States Patent** [19]  
**Genovese**

[11] **Patent Number: Des. 401,709**

[45] **Date of Patent: \*\*Nov. 24, 1998**

[54] **VENDING CART**

D. 384,463 9/1997 Genovese ..... D34/13  
D. 388,023 12/1997 Genovese ..... D12/1

[76] Inventor: **Alan A. Genovese**, 702 Spirit 40 Park,  
Suite 110, Ellisville, Mo. 63005

**OTHER PUBLICATIONS**

Lucky Dogs, Inc. U.S. Trademark Registration No. 1,429,  
464; Lucky Dogs and Design; Registered Feb. 17, 1987.

[\*\*] Term: **14 Years**

*Primary Examiner*—Kay H. Chin  
*Attorney, Agent, or Firm*—Senniger, Powers, Leavitt &  
Roedel

[21] Appl. No.: **76,146**

[22] Filed: **Aug. 26, 1997**

**Related U.S. Application Data**

[57] **CLAIM**

[63] Continuation-in-part of Ser. No. 53,592, Apr. 25, 1996, Pat.  
No. Des. 383,280.

The ornamental design for a vending cart, as shown and  
described.

[51] **LOC (6) Cl.** ..... **12-02**

**DESCRIPTION**

[52] **U.S. Cl.** ..... **D34/13**

FIG. 1 is a front elevational view of a vending cart showing  
my new design, the rear being a mirror image of this view;  
FIG. 2 is a top plan view of FIG. 1;  
FIG. 3 is a bottom plan view of FIG. 1;  
FIG. 4 is a right side elevational view of FIG. 1; and,  
FIG. 5 is a left side elevational view of FIG. 1.

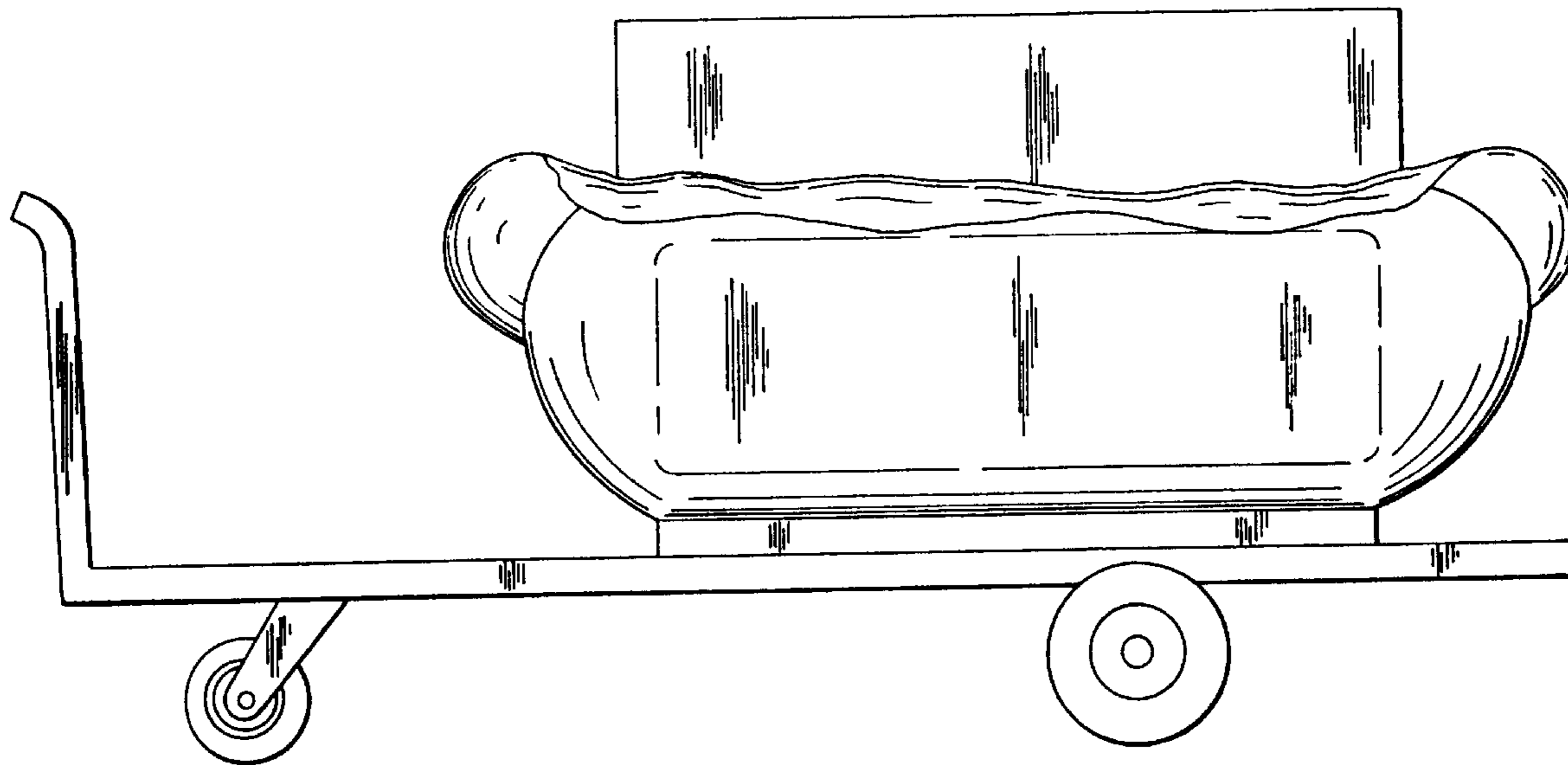
[58] **Field of Search** ..... D34/12-27; 296/22

[56] **References Cited**

**U.S. PATENT DOCUMENTS**

D. 154,788 8/1949 Loyacano et al. .... D34/13  
D. 228,063 8/1973 Keeshin et al. .... D34/14  
D. 383,280 9/1997 Genovese ..... D34/13

**1 Claim, 4 Drawing Sheets**



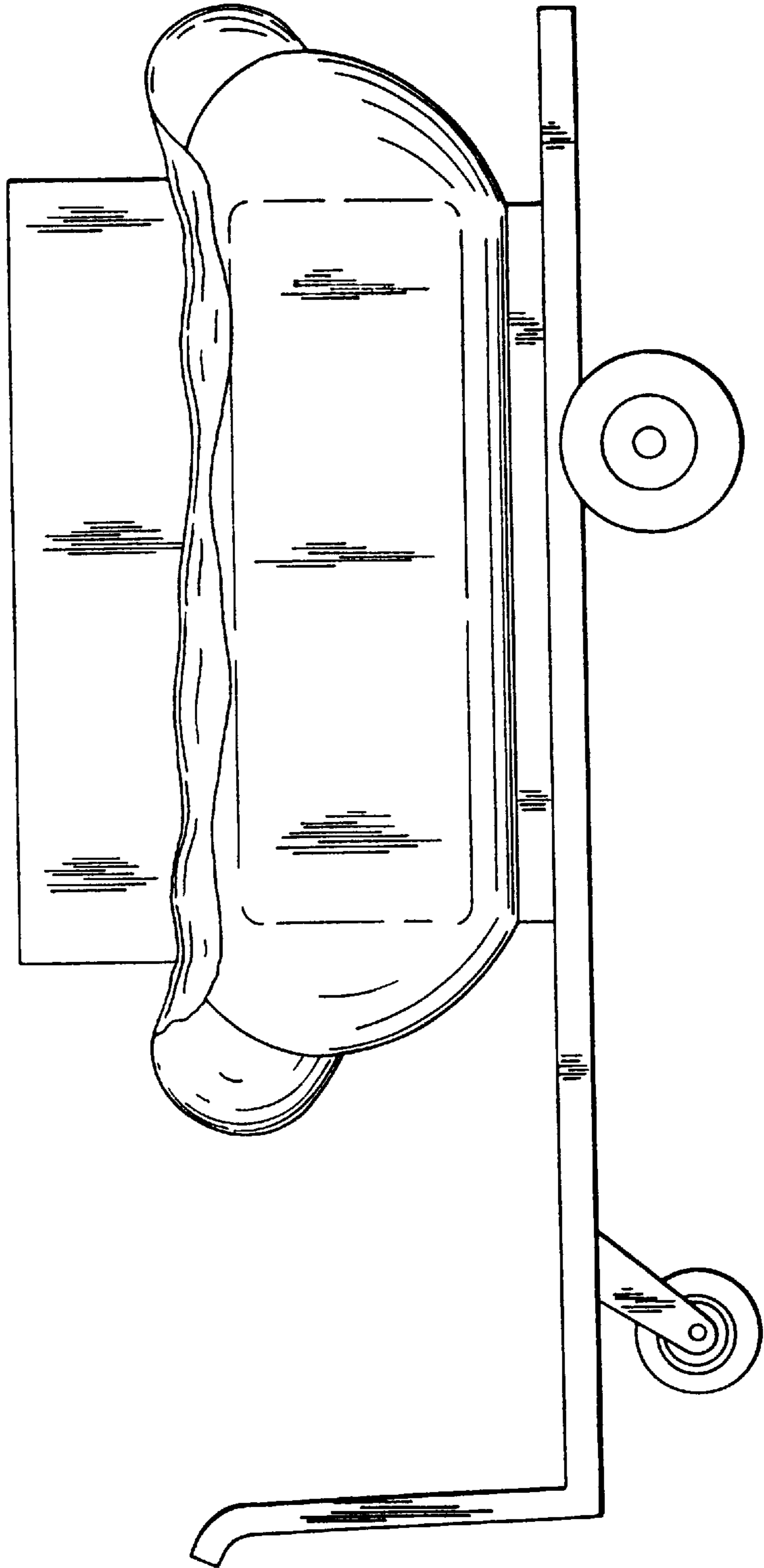


FIG. 1

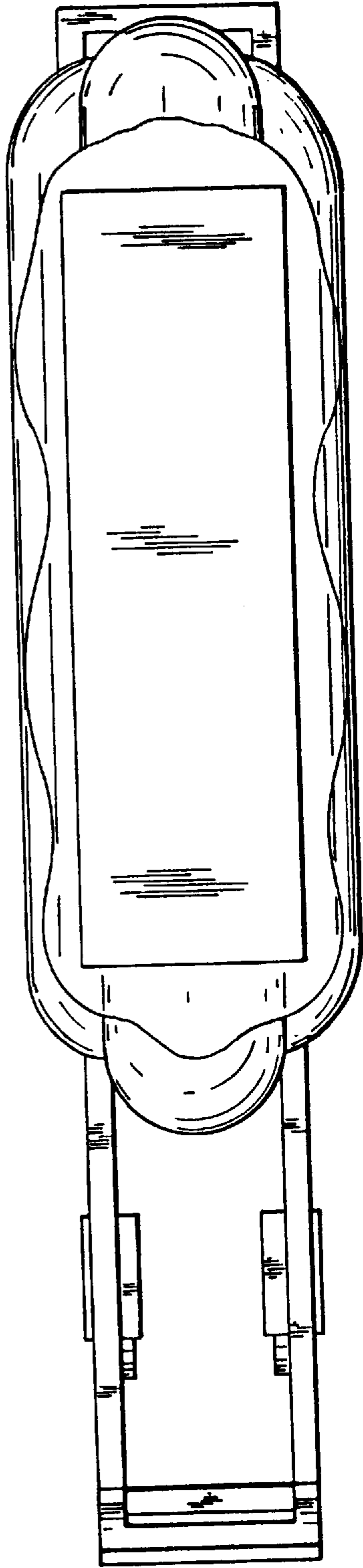


FIG. 2

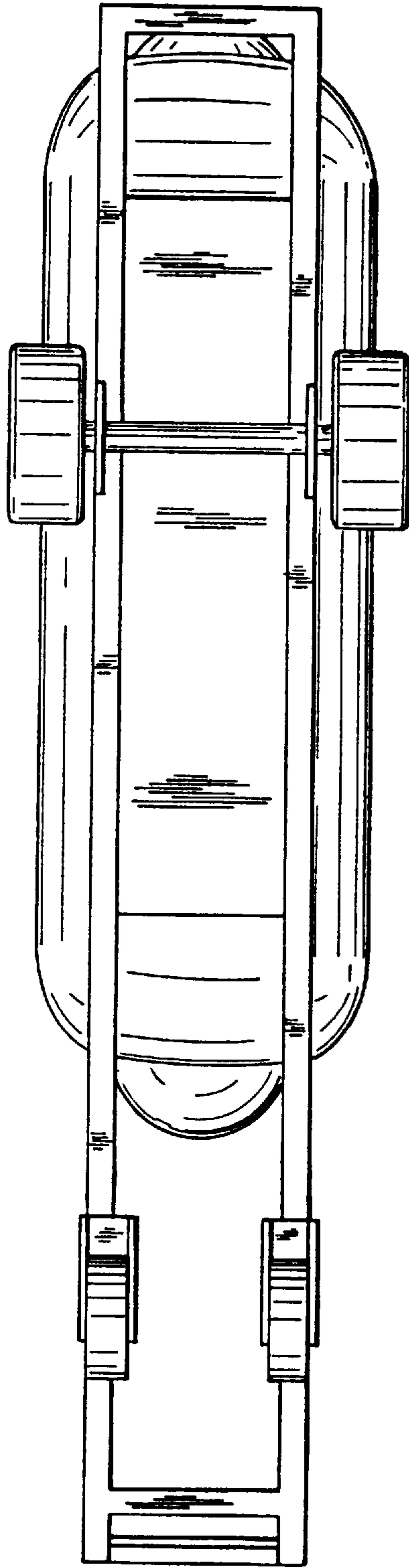


FIG. 3

FIG. 5

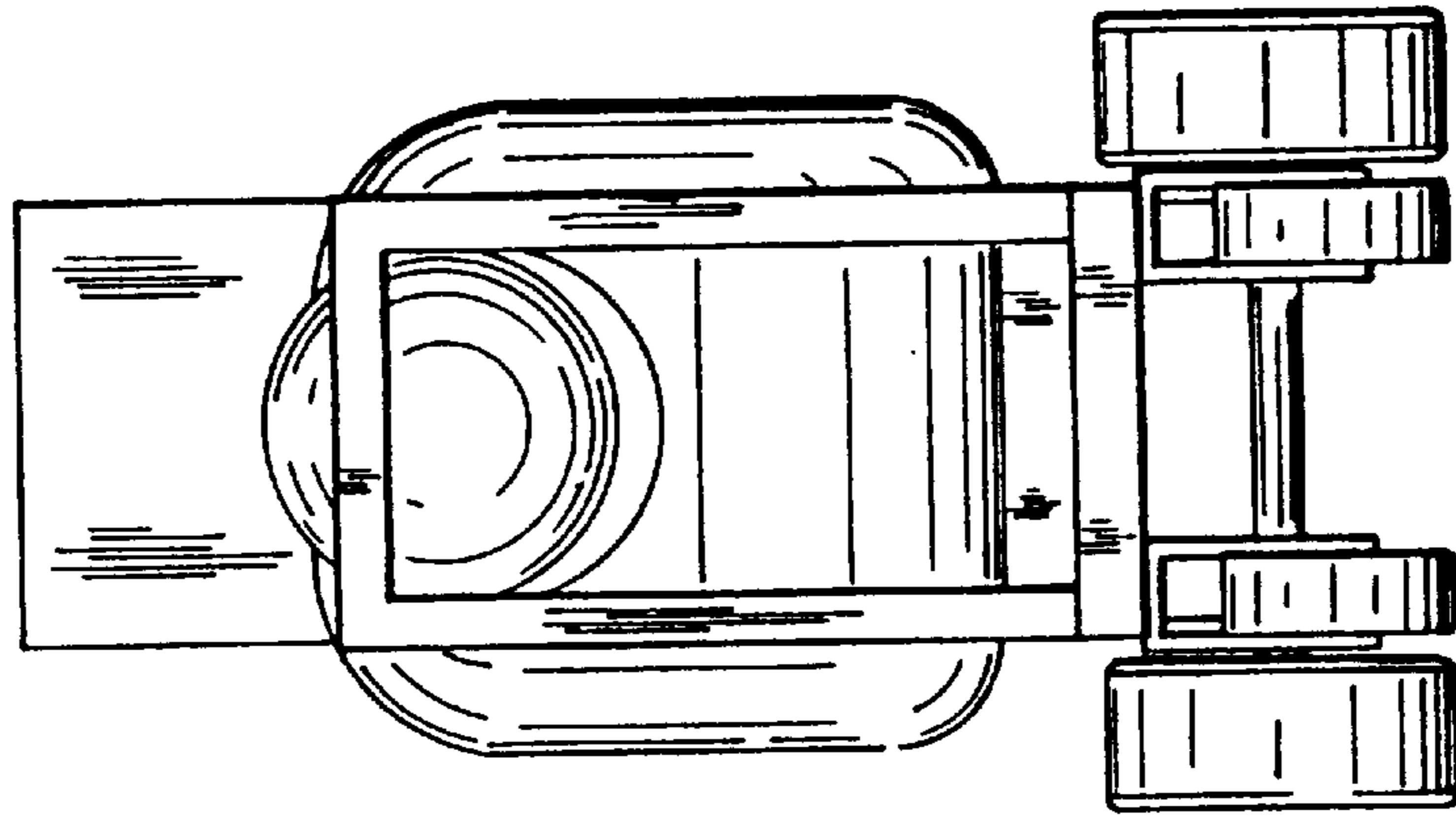


FIG. 4

