



US00D401707S

United States Patent [19]

Warner et al.

[11] Patent Number: **Des. 401,707**

[45] Date of Patent: ****Nov. 24, 1998**

[54] **WASTE CONTAINER**

[76] Inventors: **Gordon F. Warner**, deceased, late of Eloy, Ariz.; by **Peggy S. Warner, administrator**, 505 Hopi Cir. P.O. Box 965, Eloy, Ariz. 85231

[**] Term: **14 Years**

[21] Appl. No.: **78,148**

[22] Filed: **Oct. 22, 1997**

[51] **LOC (6) Cl.** **09-09**

[52] **U.S. Cl.** **D34/5**

[58] **Field of Search** D34/1, 5-7, 9, D34/10, 24; 220/908, 909; 248/95, 97, 99, 907; 280/47.26

[56] **References Cited**

U.S. PATENT DOCUMENTS

- D. 304,631 11/1989 McCarville D34/5
- D. 318,351 7/1991 Wilson D34/5

- D. 320,103 9/1991 Wilson D34/5
- D. 331,651 12/1992 Nilson D34/5

Primary Examiner—Alan P. Douglas
Assistant Examiner—Robin V. Taylor

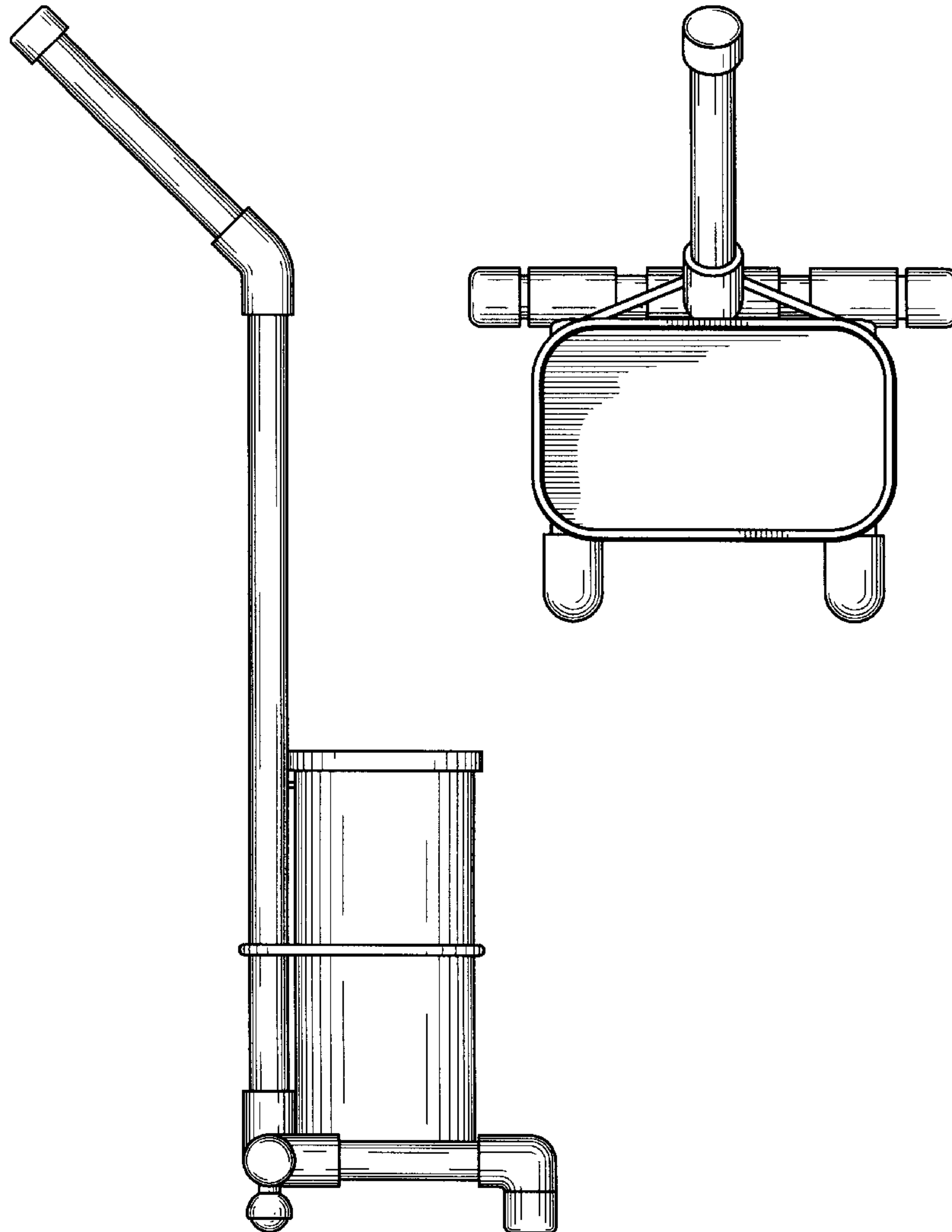
[57] **CLAIM**

The ornamental design for a waste container, as shown.

DESCRIPTION

FIG. 1 is a front plan view of the waste container of the present invention;
 FIG. 2 is a back plan view of the waste container of FIG. 1;
 FIG. 3 is a left side plan view of the waste container of FIG. 1;
 FIG. 4 is a right side plan view of the waste container of FIG. 1;
 FIG. 5 is a top plan view of the waste container of FIG. 1; and,
 FIG. 6 is a bottom plan view of the waste container of FIG. 1.

1 Claim, 3 Drawing Sheets



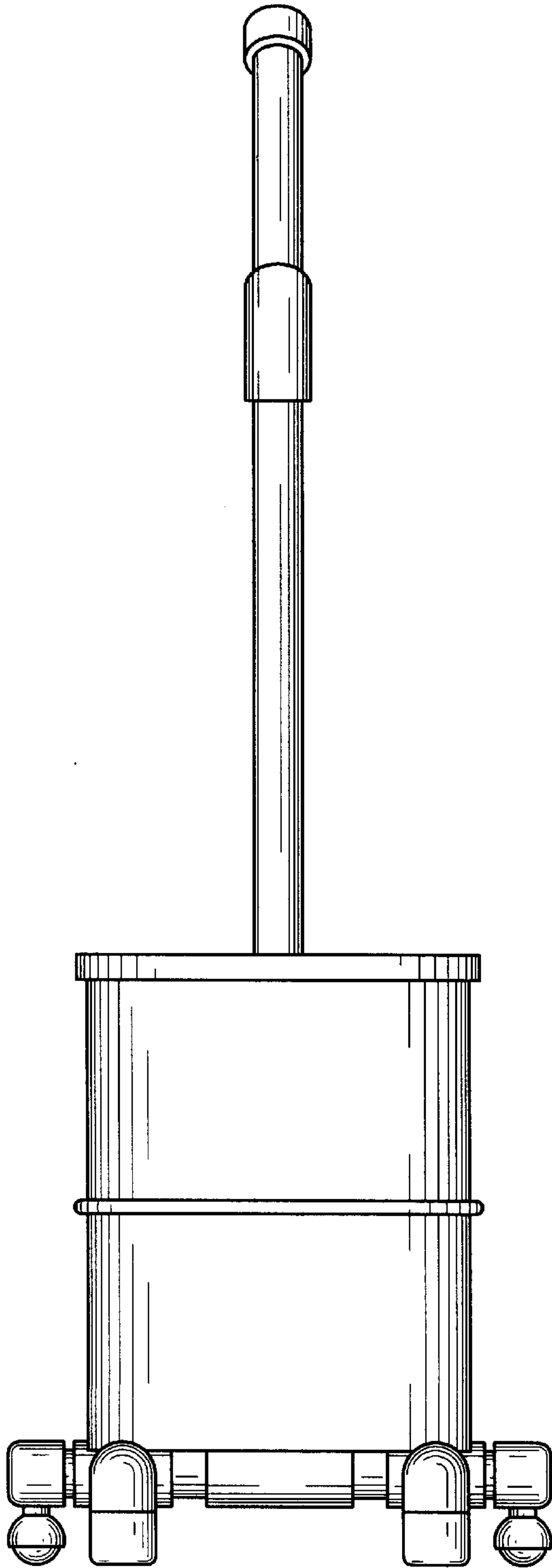


Fig. 1

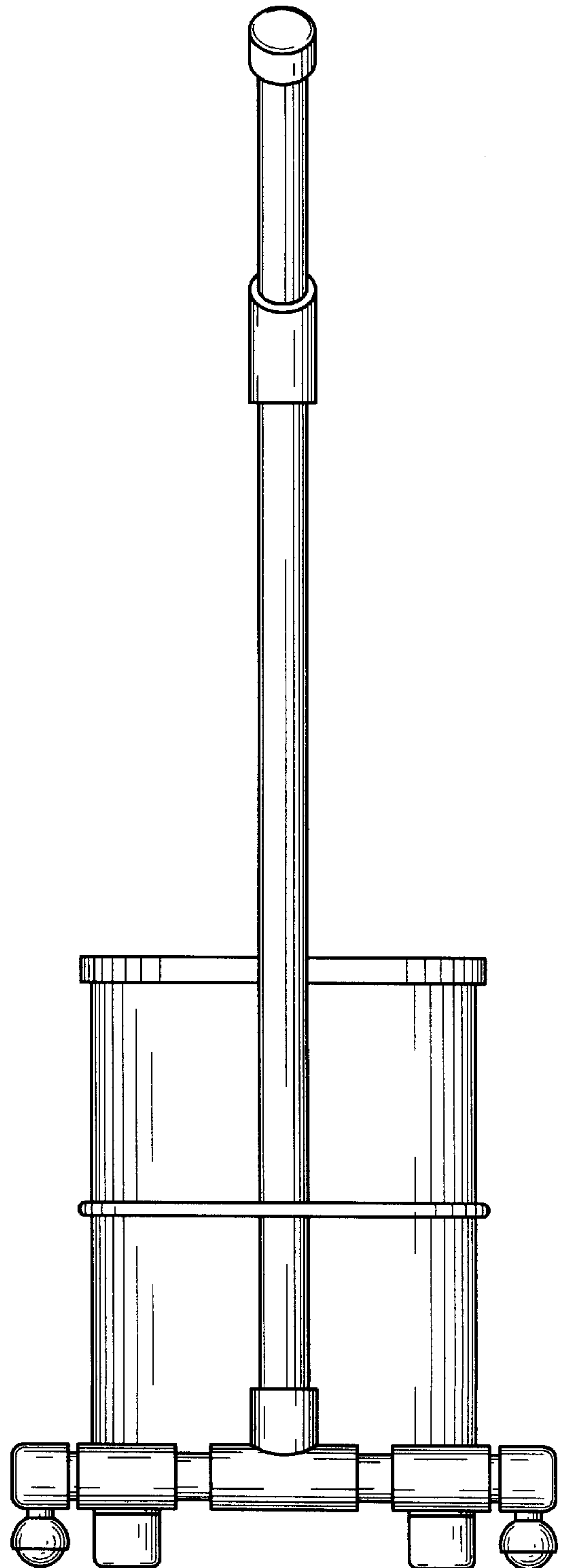


Fig. 2

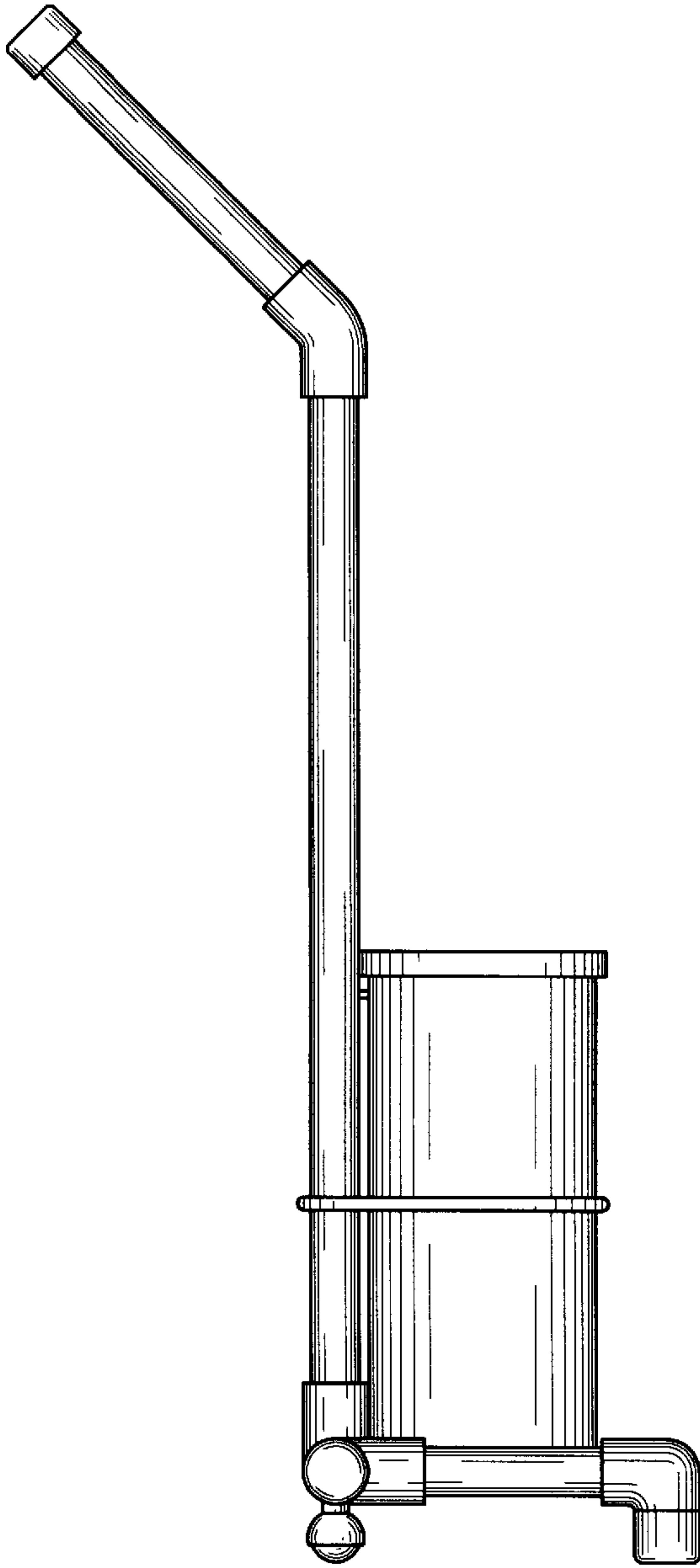


Fig. 3

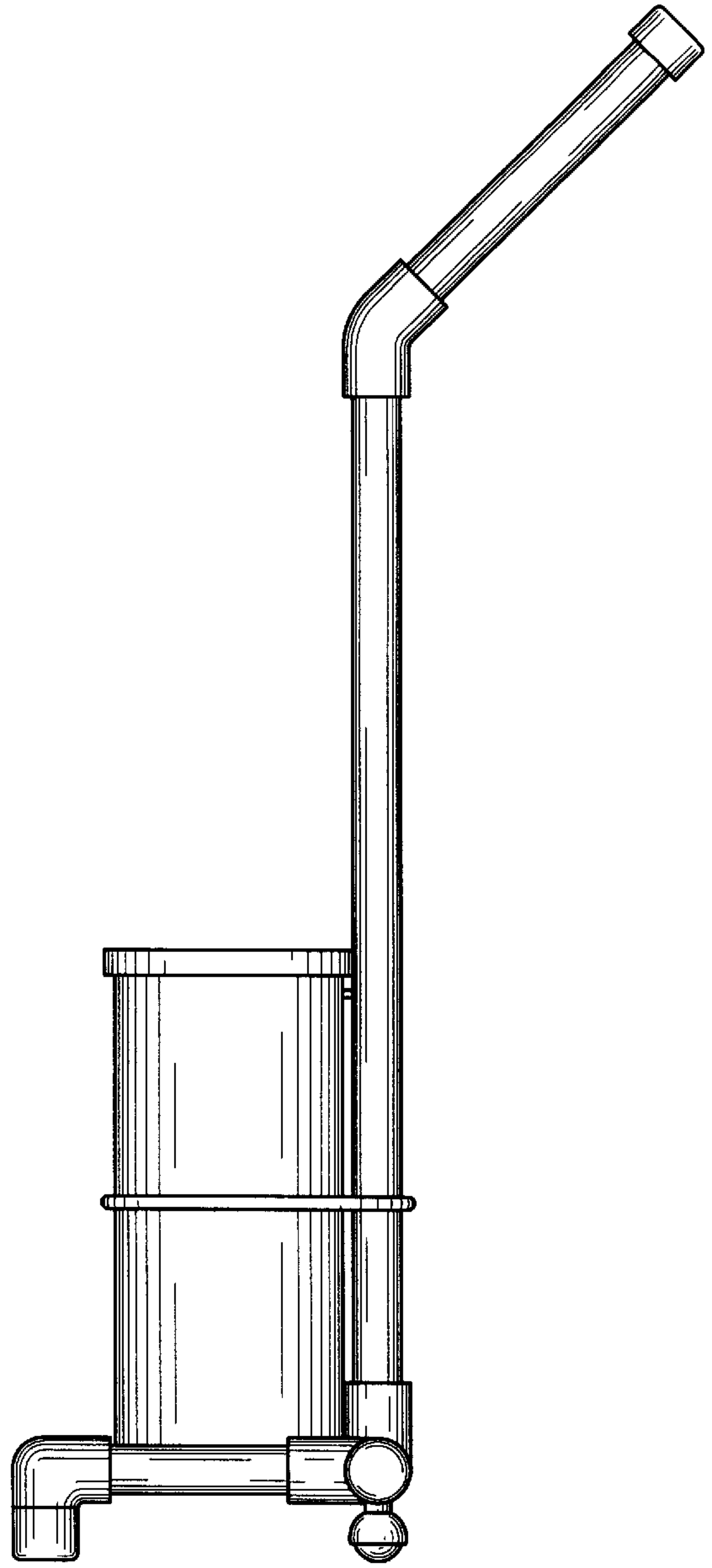


Fig. 4

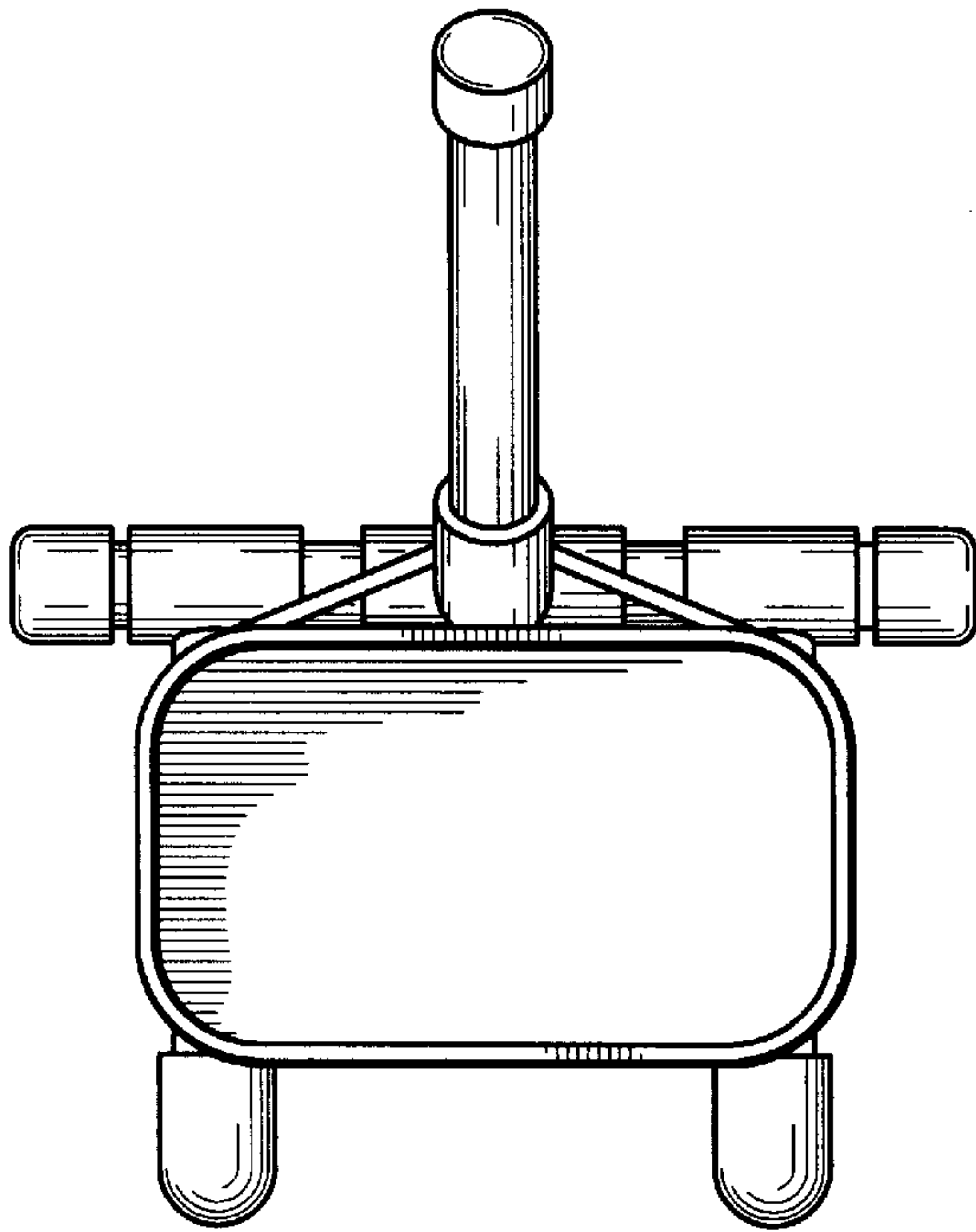


Fig. 5

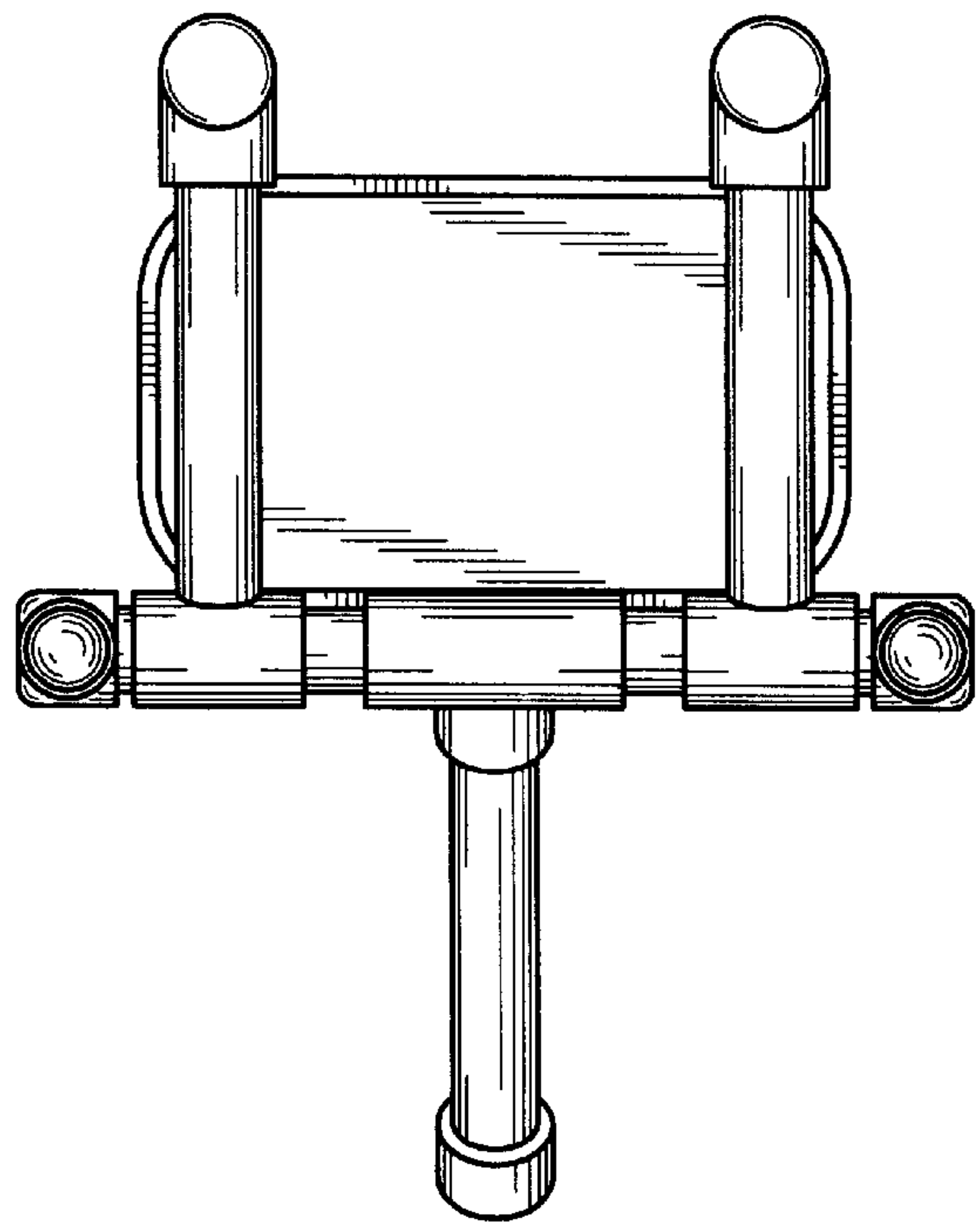


Fig. 6