



US00D401706S

# United States Patent [19] Gudefin

[11] **Patent Number: Des. 401,706**

[45] **Date of Patent: \*\*Nov. 24, 1998**

[54] **IRON**

[75] Inventor: **Jacques Gudefin**, St. Priest, France

[73] Assignee: **Calor S.A.**, Lyons, France

[\*\*] Term: **14 Years**

[21] Appl. No.: **80,211**

[22] Filed: **Dec. 3, 1997**

### [30] Foreign Application Priority Data

Jun. 3, 1997 [WO] WIPO ..... DM003736

[51] **LOC (6) Cl.** ..... **07-05**

[52] **U.S. Cl.** ..... **D32/70**

[58] **Field of Search** ..... D32/68, 70, 71,  
D32/69; 38/77.1, 77.2, 77.3, 77.4, 77.5,  
74, 69, 79, 77.7, 77.8, 85; 219/245

### [56] References Cited

#### U.S. PATENT DOCUMENTS

D. 315,237	3/1991	Stutzer et al.	.....	D32/70
D. 315,238	3/1991	Tien-Lai	.....	D32/70
D. 326,548	5/1992	Barrault	.....	D32/70
D. 353,246	12/1994	Kameda	.....	D32/70

D. 361,184	8/1995	Casuso Fuente	.....	D32/70
D. 370,104	5/1996	Gudefin	.....	D32/70
D. 374,527	10/1996	Gudefin	.....	D32/68
D. 374,956	10/1996	Hsu	.....	D32/70
D. 379,702	6/1997	Gudefin	.....	D32/73
D. 380,068	6/1997	Gudefin	.....	D32/9
D. 389,622	1/1998	Dziersk	.....	D32/70

*Primary Examiner*—Susan J. Lucas  
*Assistant Examiner*—Cynthia E. Ramirez  
*Attorney, Agent, or Firm*—Greenblum & Bernstein, P.L.C.

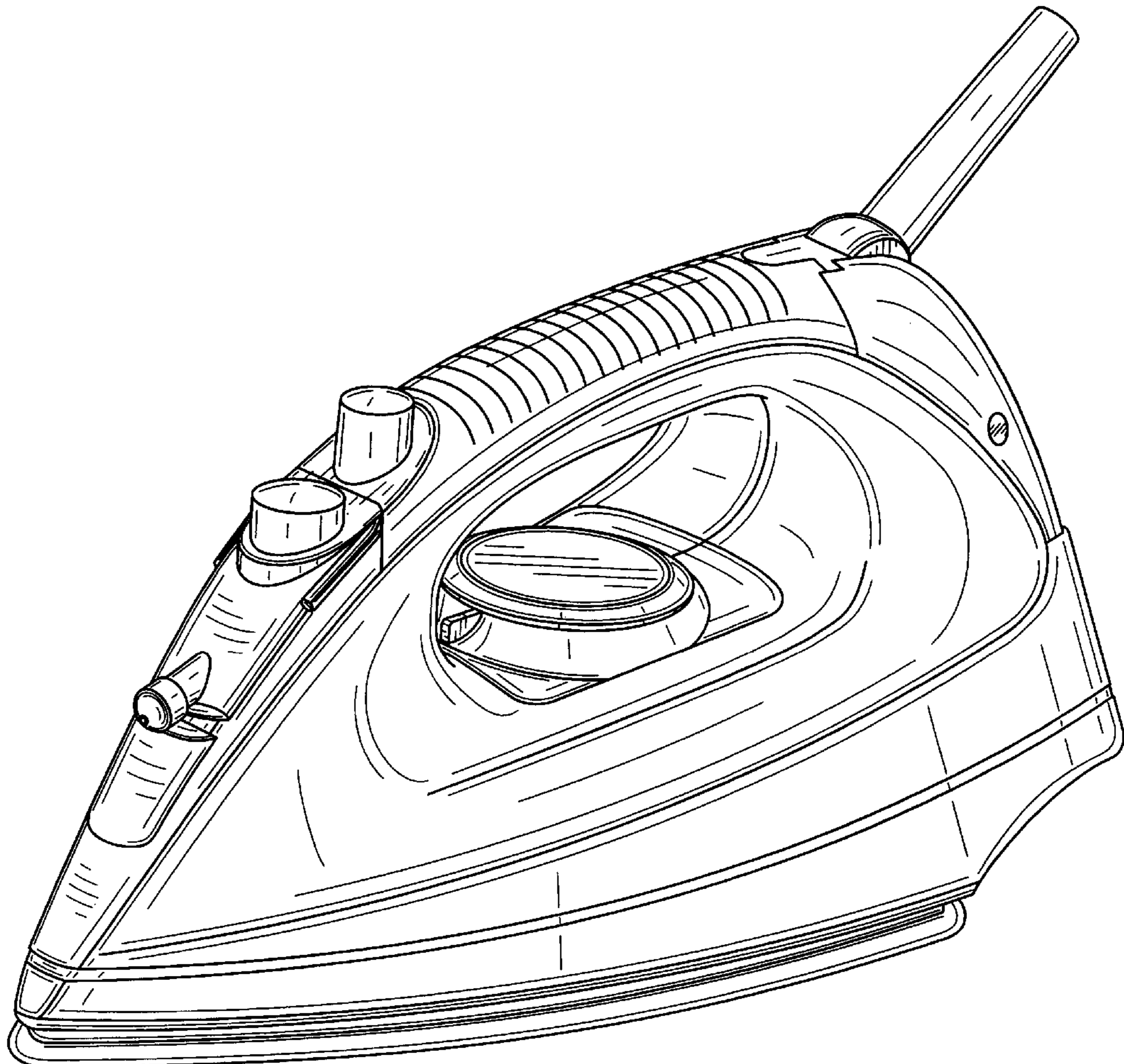
### [57] CLAIM

I claim the ornamental design for an iron, as shown and described.

### DESCRIPTION

FIG. 1 is a front elevational view of my new design;  
FIG. 2 is rear elevation view thereof;  
FIG. 3 is a left side elevation view thereof;  
FIG. 4 is a right side elevation view thereof;  
FIG. 5 is a top view thereof;  
FIG. 6 is a bottom view thereof; and,  
FIG. 7 is a perspective view thereof, from top and the front left side.

**1 Claim, 7 Drawing Sheets**



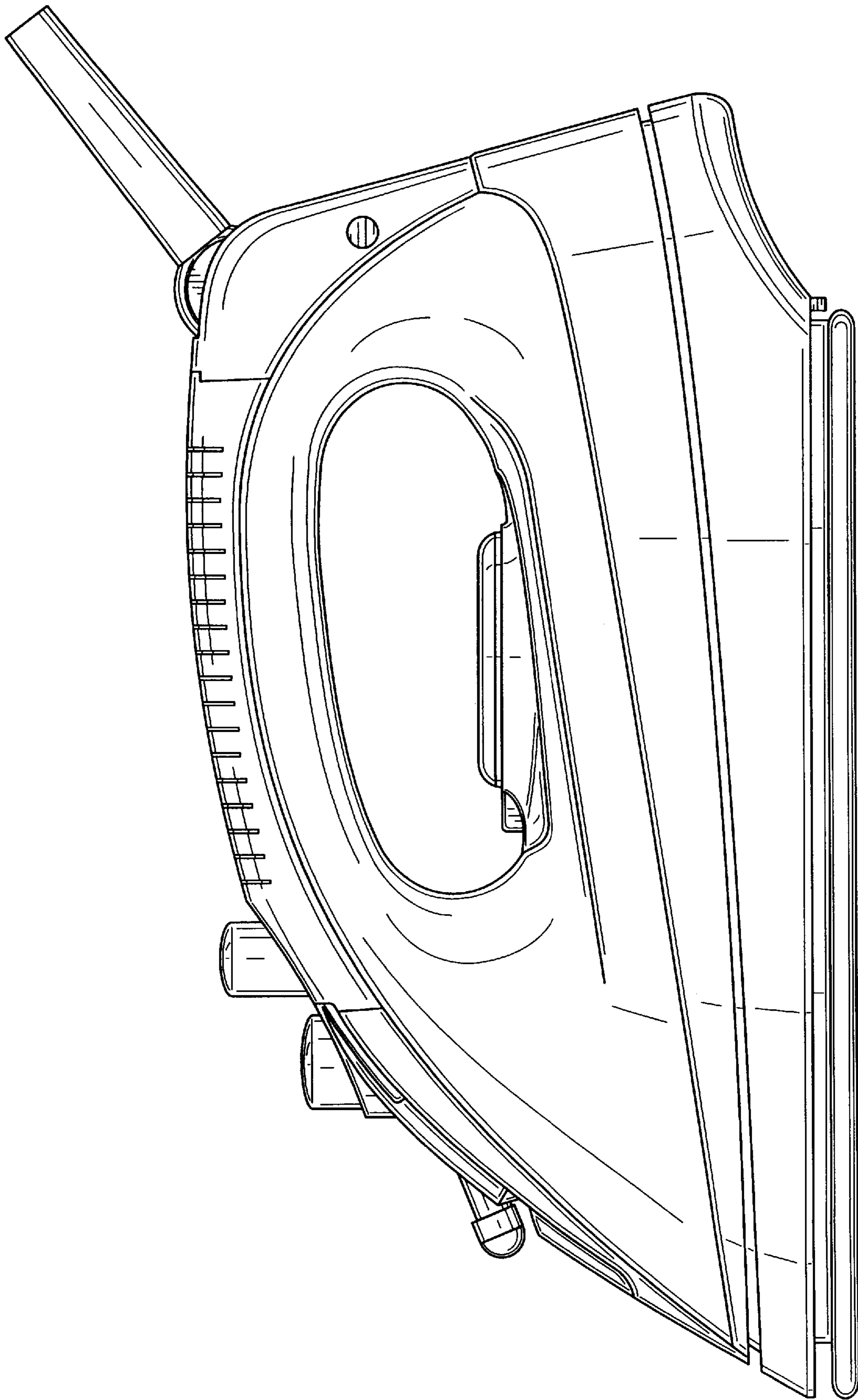


FIG. 1

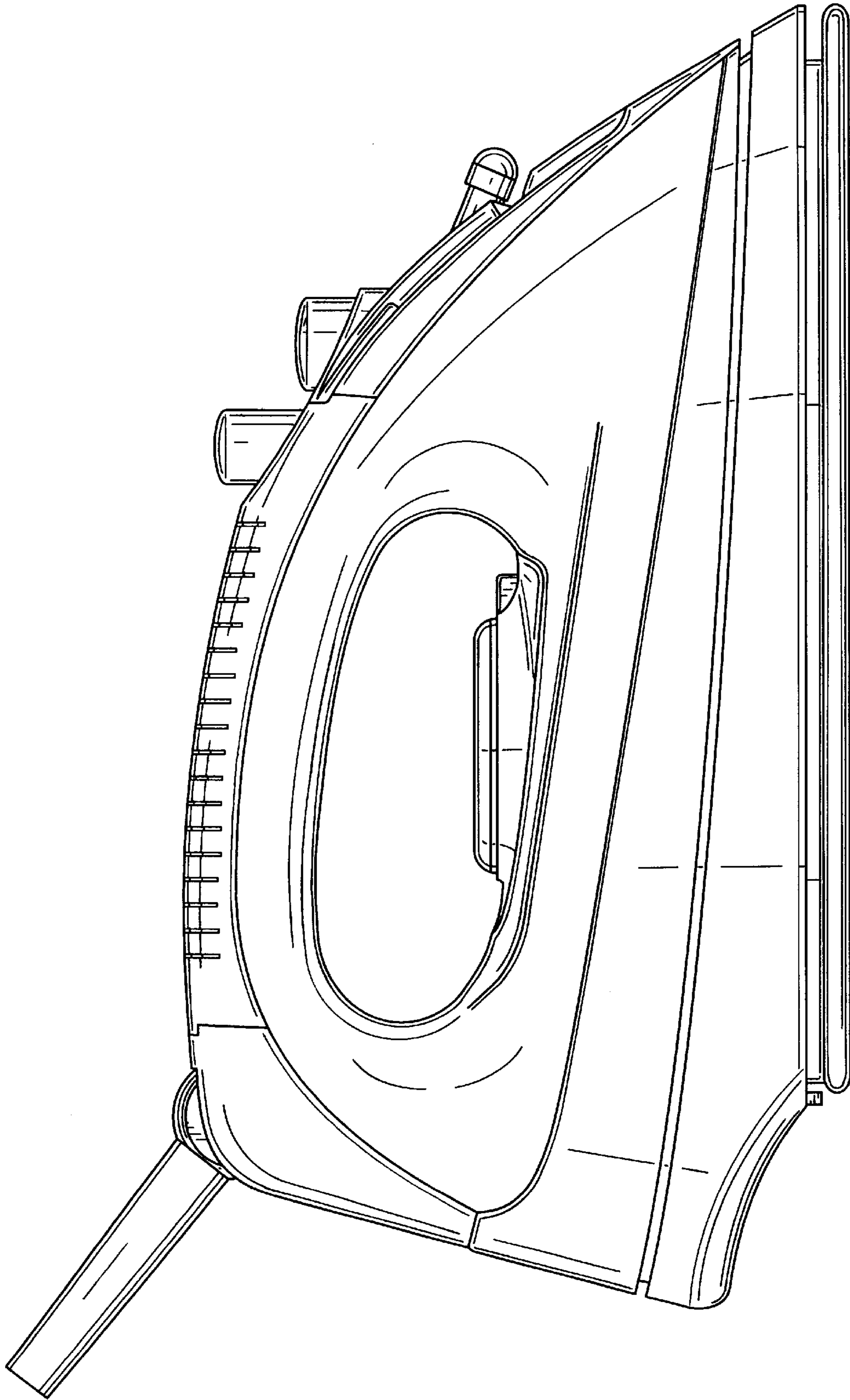


FIG. 2

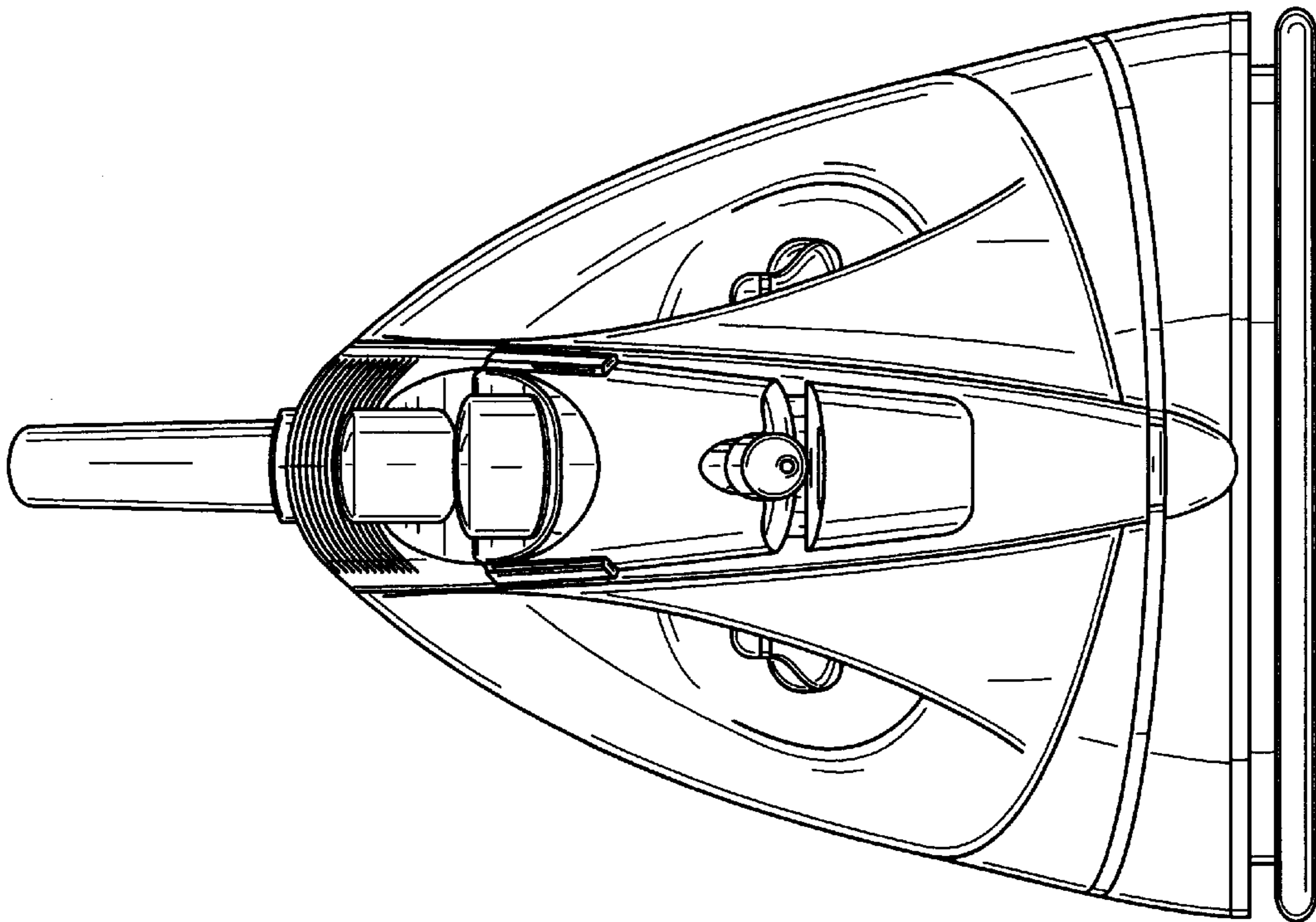


FIG. 3

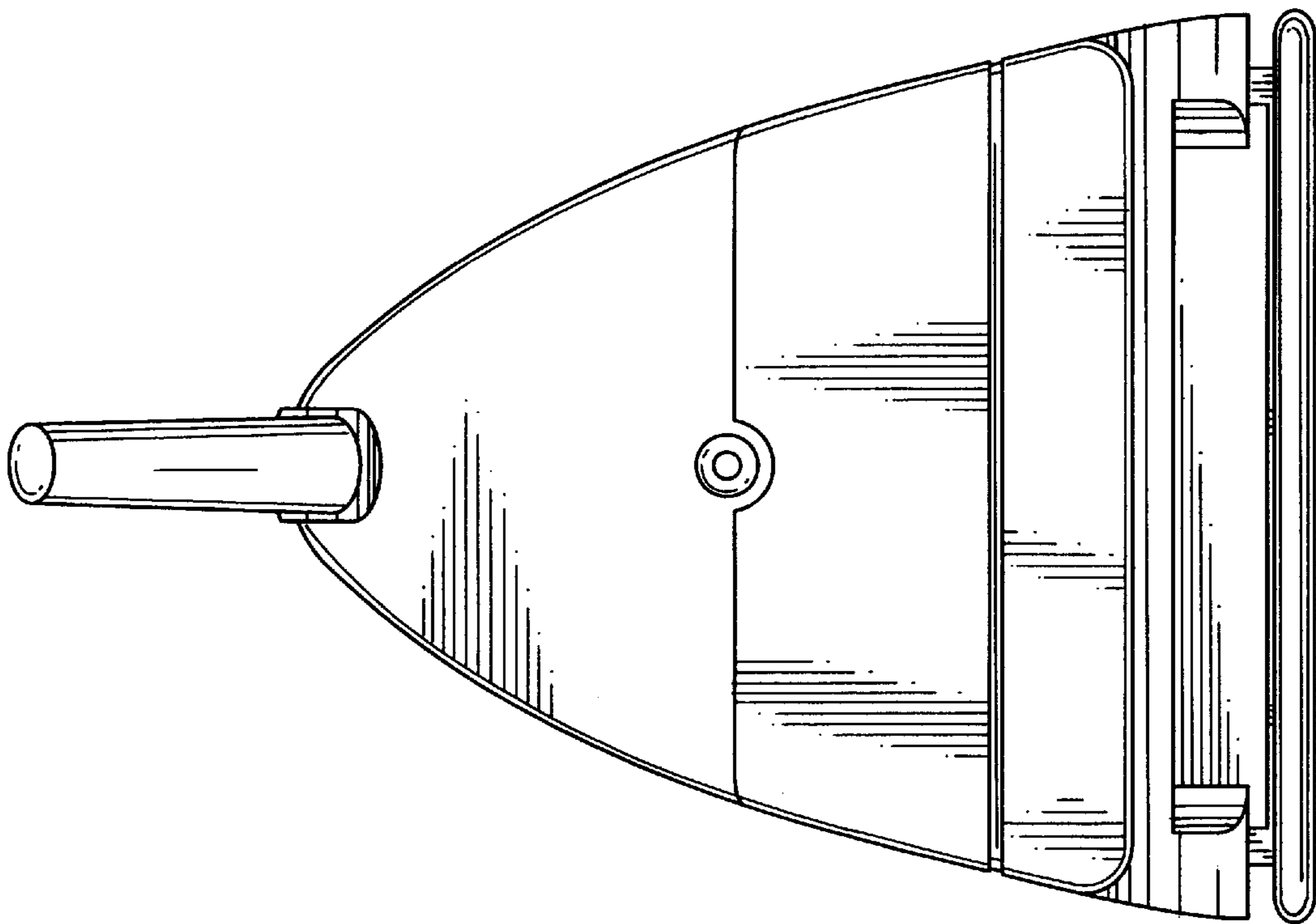


FIG. 4

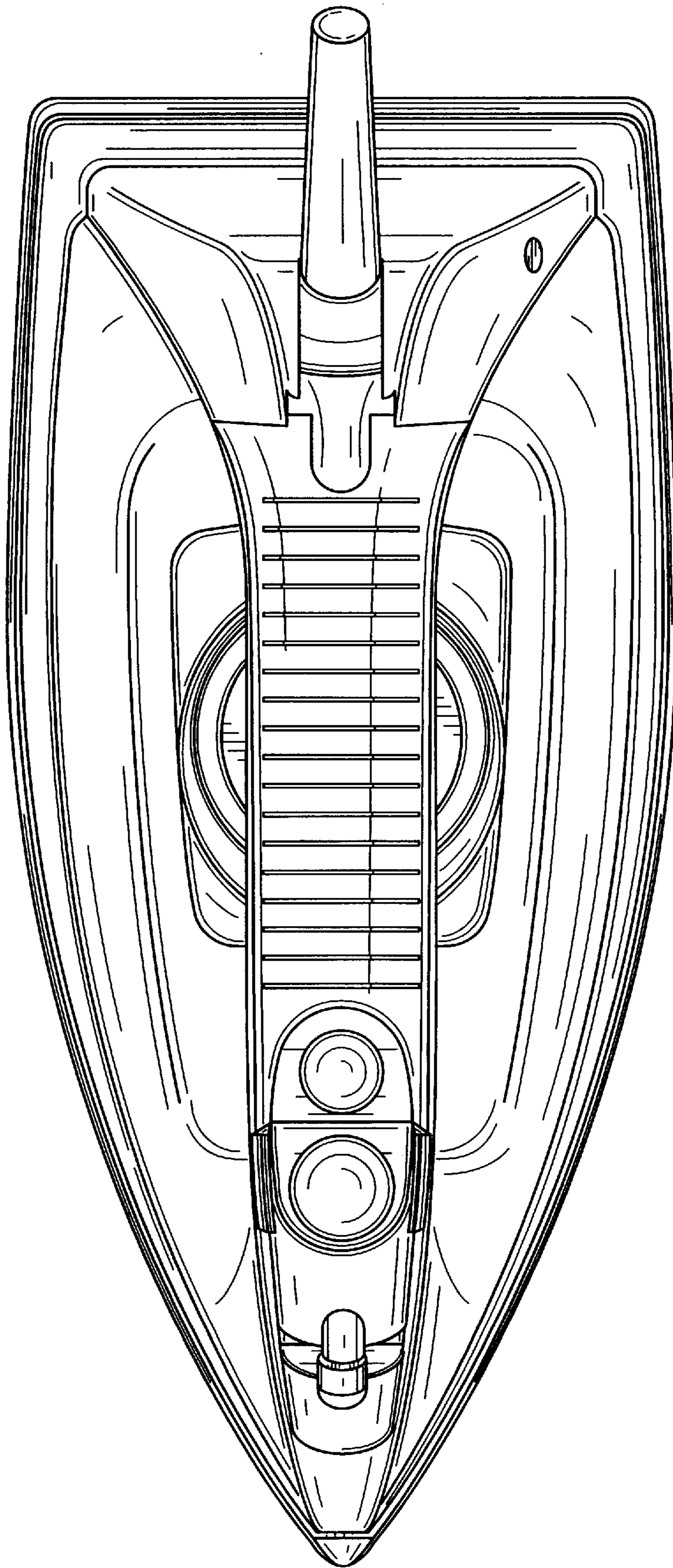


FIG. 5

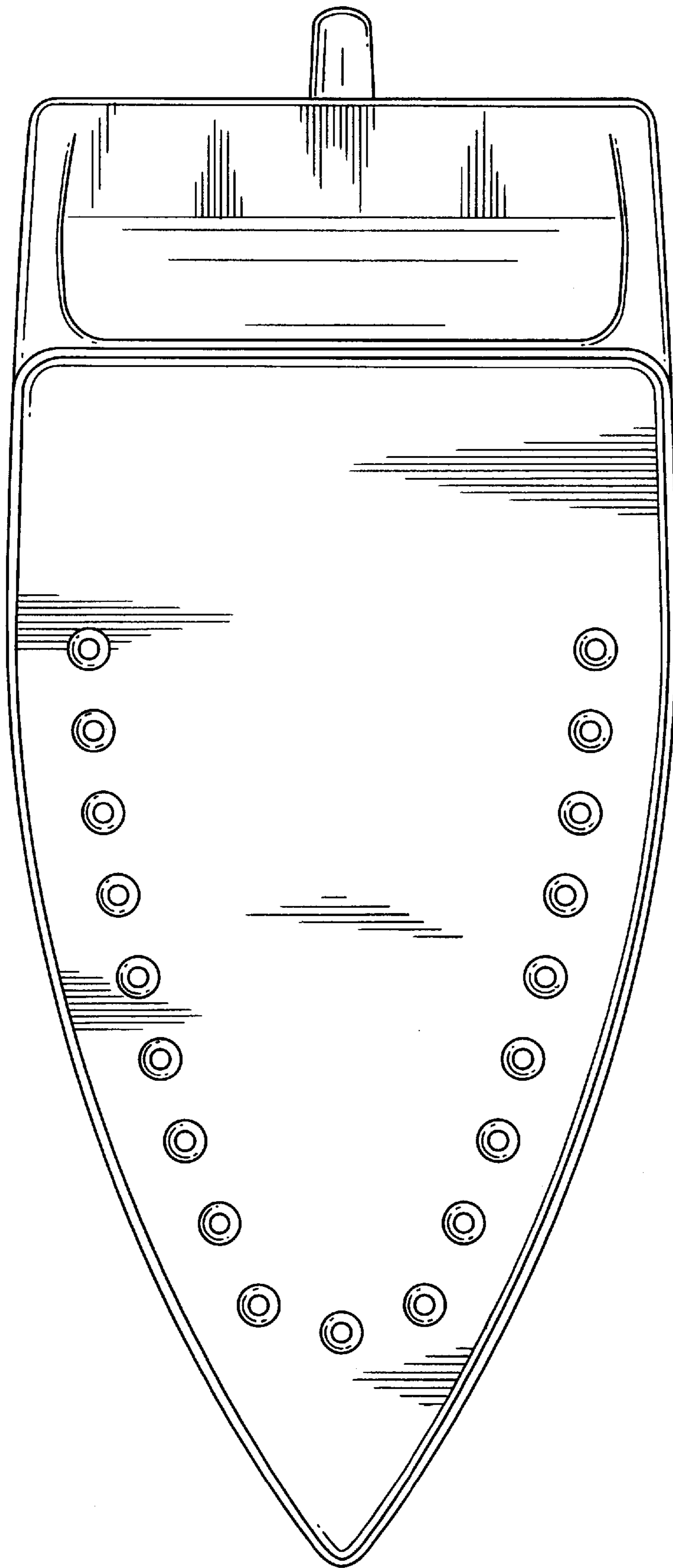


FIG. 6

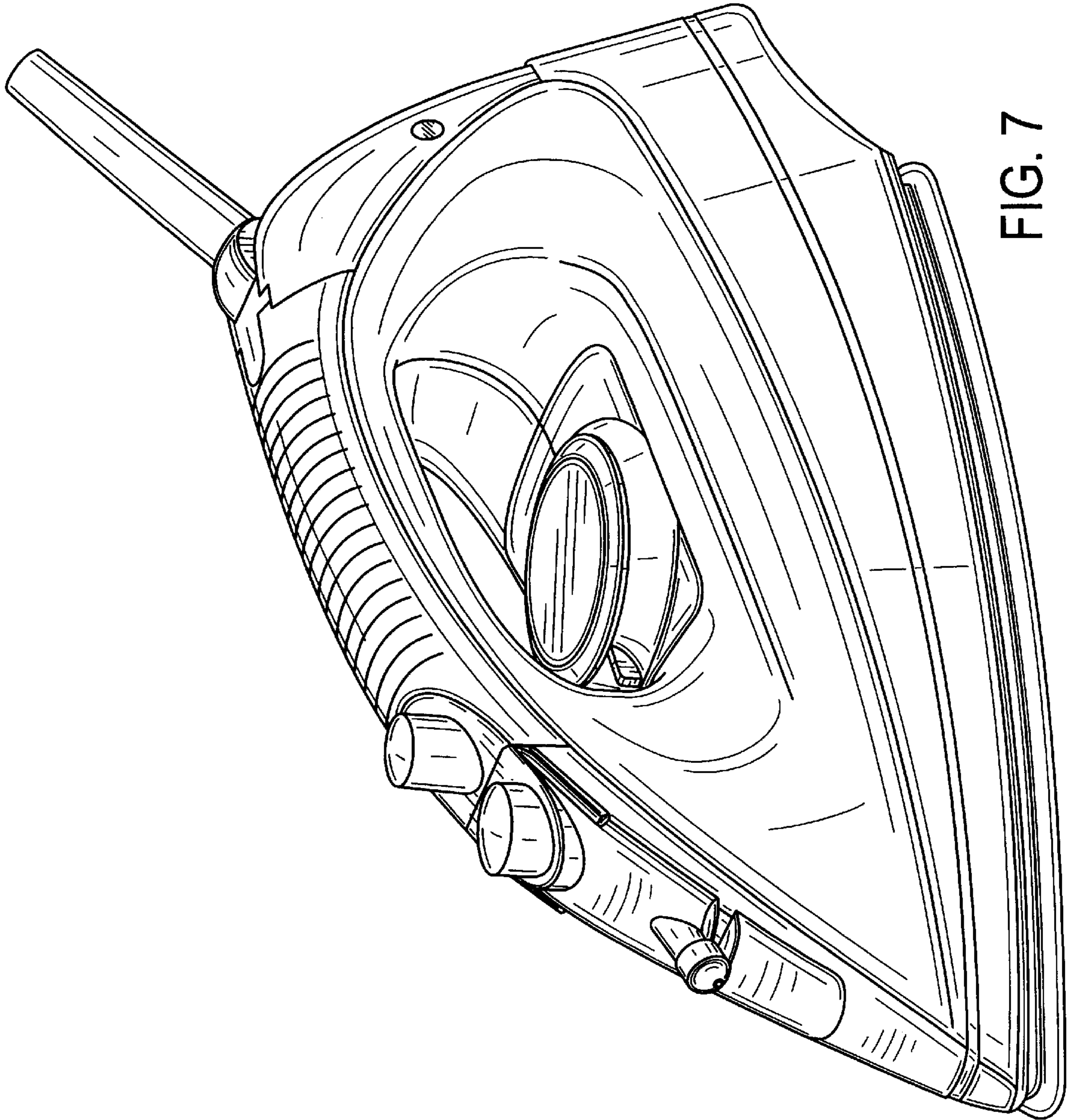


FIG. 7