



US00D401705S

**United States Patent** [19]  
**Jones**

[11] **Patent Number: Des. 401,705**

[45] **Date of Patent: \*\*Nov. 24, 1998**

[54] **CUSHION DRYING RACK**

5,385,245 1/1995 Waters ..... 211/100

[76] Inventor: **Richard M. Jones**, 3231 Walden Way,  
Racine, Wis. 53405

*Primary Examiner*—Alan P. Douglas  
*Assistant Examiner*—Robin V. Taylor  
*Attorney, Agent, or Firm*—Wheeler Kromholz & Manion

[\*\*] Term: **14 Years**

[57] **CLAIM**

[21] Appl. No.: **77,040**

The ornamental design of a cushion drying rack, as shown and described.

[22] Filed: **Sep. 25, 1997**

**DESCRIPTION**

[51] **LOC (6) Cl.** ..... **07-05**

[52] **U.S. Cl.** ..... **D32/58**

[58] **Field of Search** ..... D32/58, 59; D6/513,  
D6/566, 548; 211/86.01, 94.03, 85.3, 100,  
104, 125

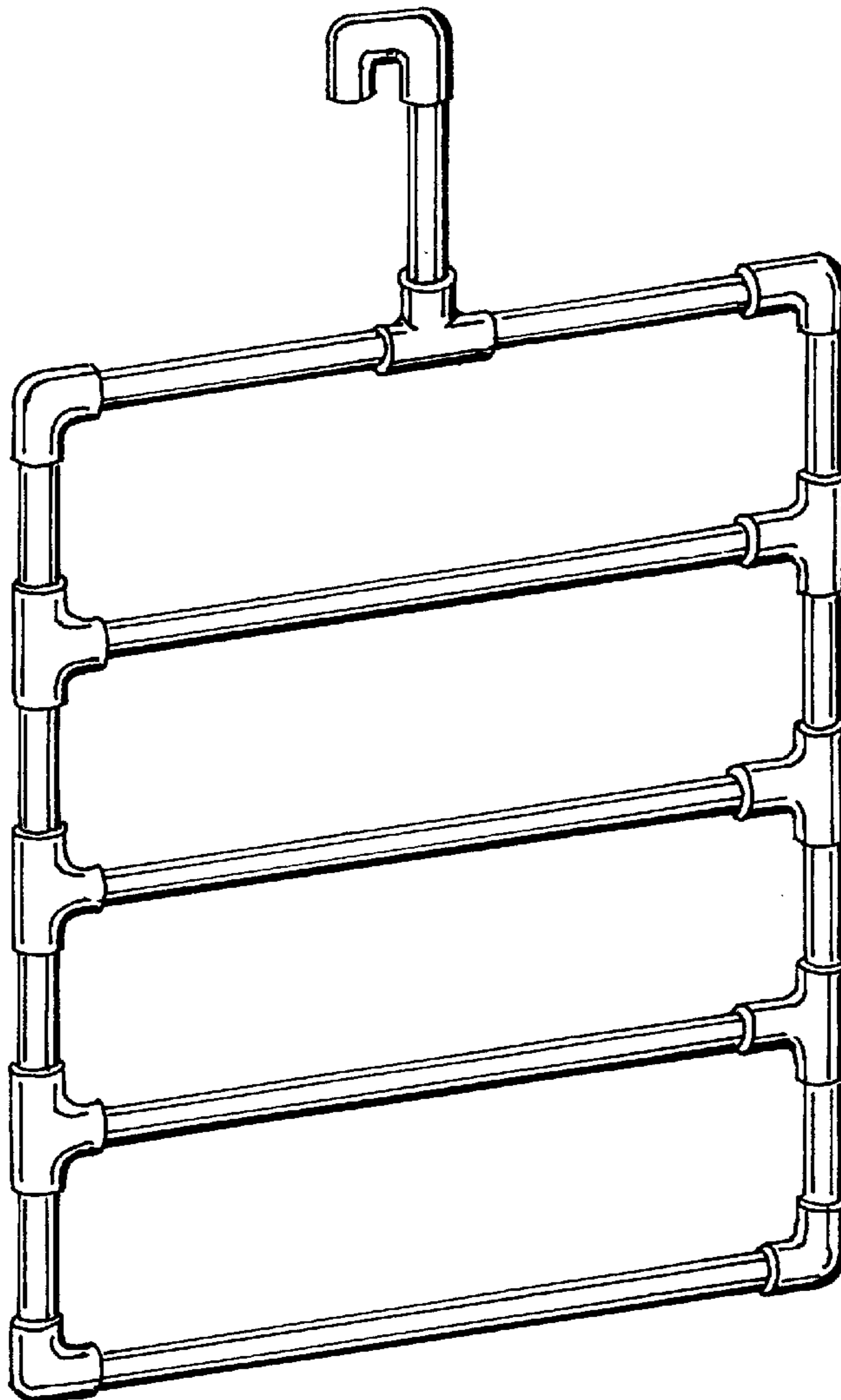
FIG. 1 is a perspective view of the cushion drying rack of my design;  
FIG. 2 is a front elevational view of the cushion drying rack;  
FIG. 3 is a top plan view of the cushion drying rack;  
FIG. 4 is a bottom plan view of the cushion drying rack;  
FIG. 5 is a rear elevational view of the cushion drying rack;  
FIG. 6 is a left side elevational view of the cushion drying rack; and,  
FIG. 7 is a right side elevational view of the cushion drying rack.

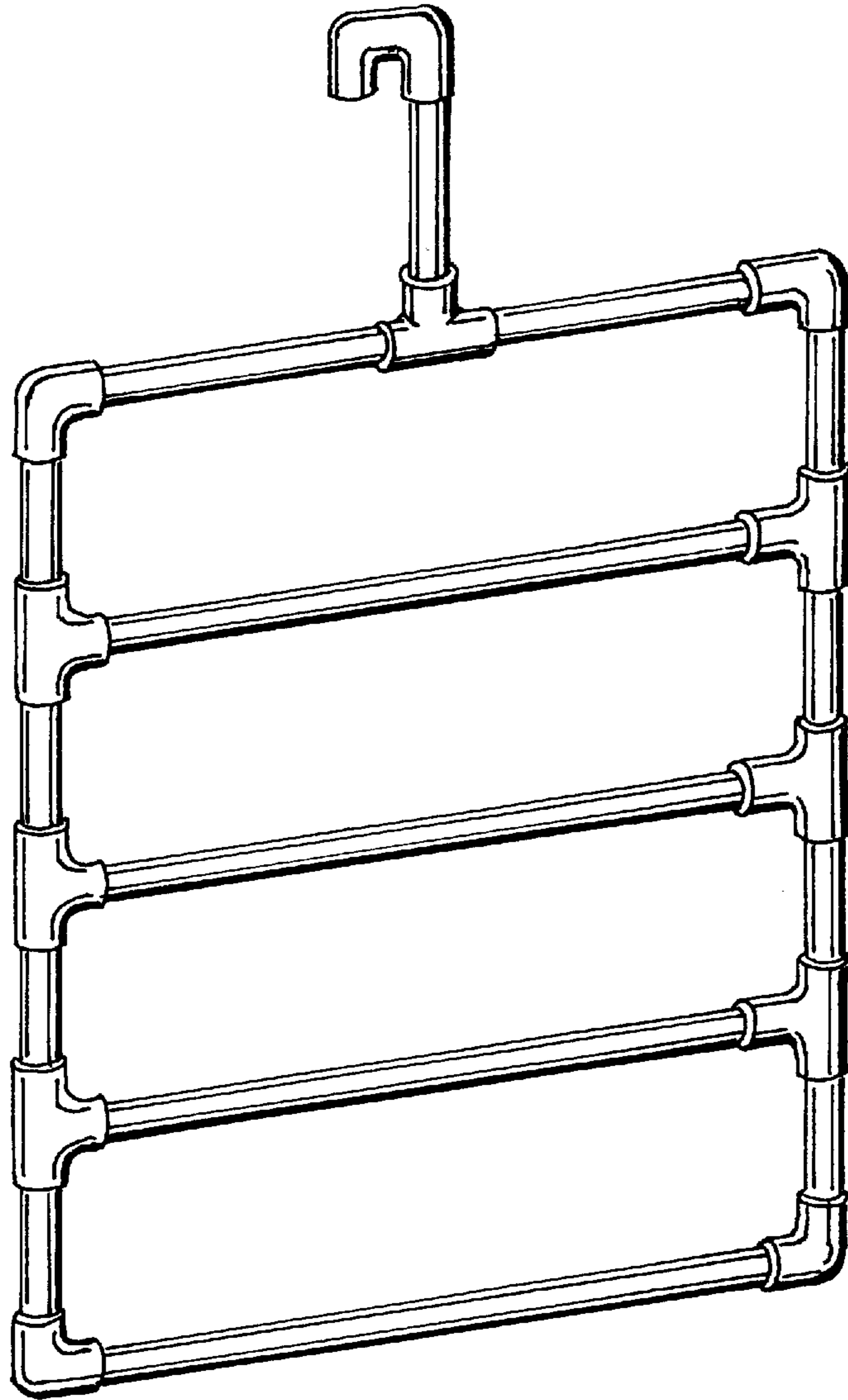
[56] **References Cited**

**U.S. PATENT DOCUMENTS**

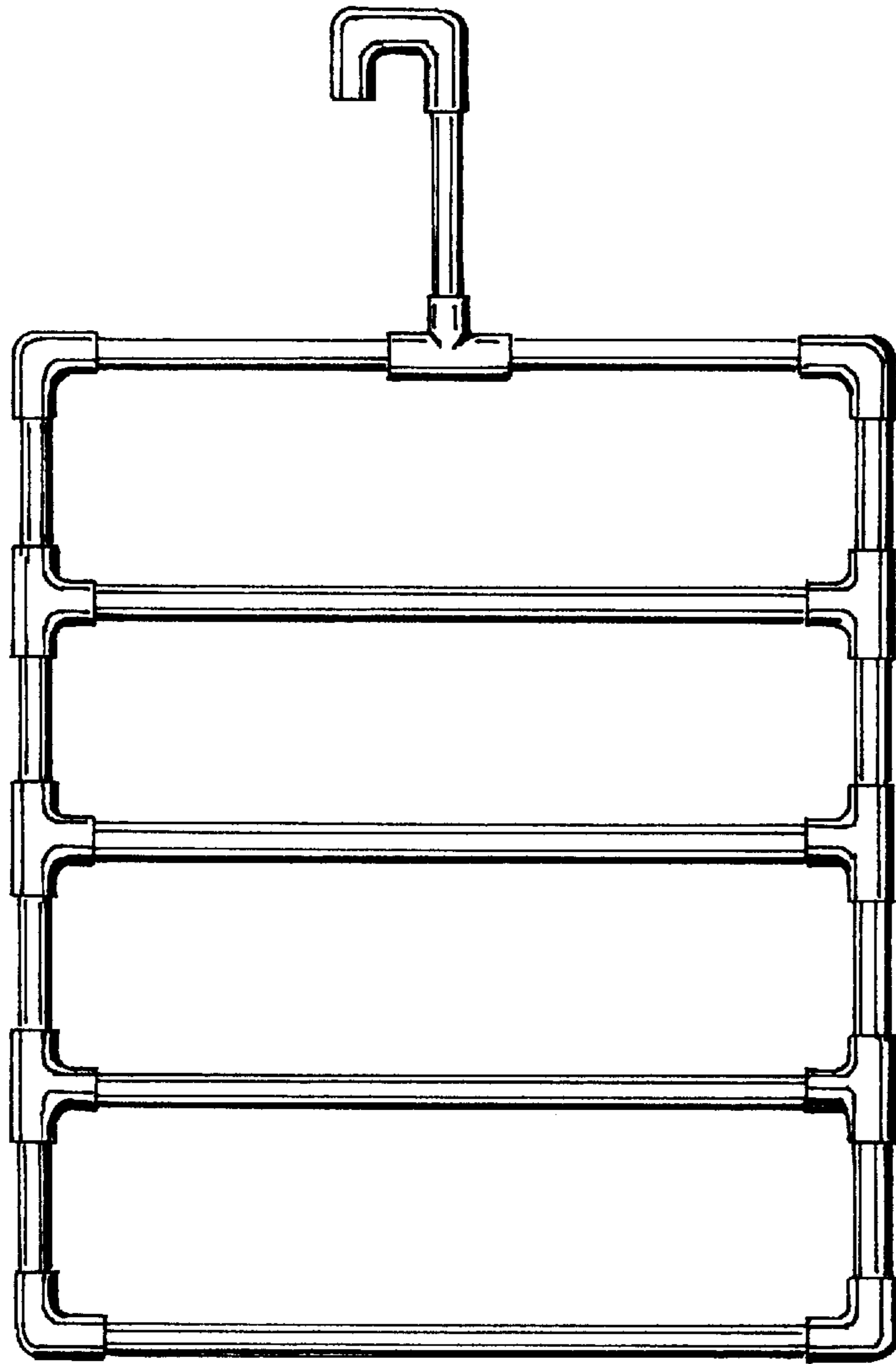
D. 183,499	9/1958	Simpson	.....	D32/58
D. 226,019	1/1973	Slany	.....	D32/58
D. 333,731	3/1993	Klein	.....	D32/58
D. 369,888	5/1996	Demaray	.....	D32/58
5,193,695	3/1993	Mann	.....	211/104

**1 Claim, 3 Drawing Sheets**





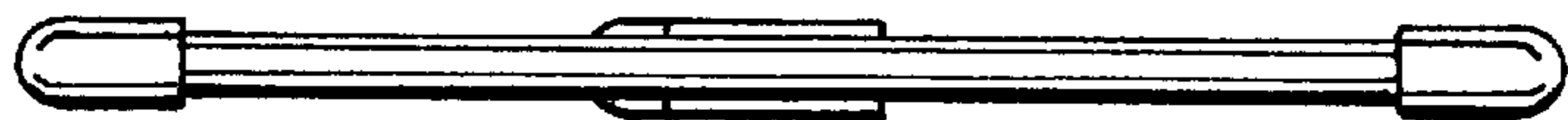
*Fig. 1*



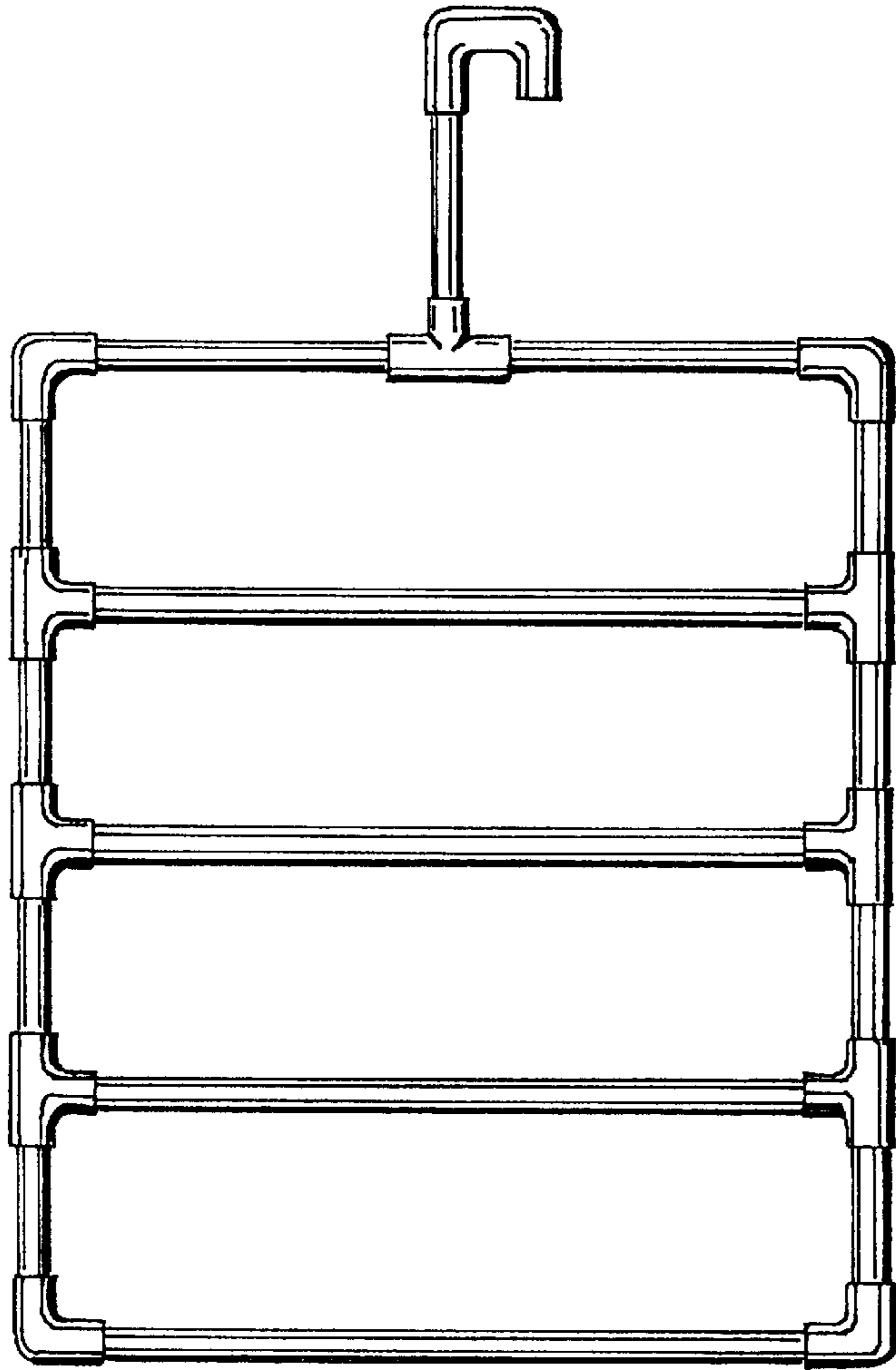
*Fig. 2*



*Fig. 3*



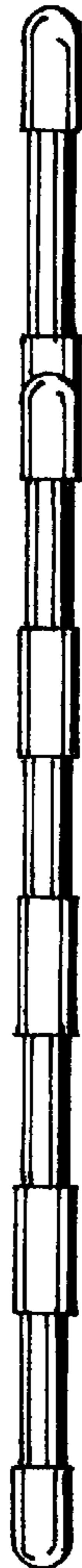
*Fig. 4*



*Fig. 5*



*Fig. 6*



*Fig. 7*