



US00D401704S

United States Patent [19]
Clark

[11] **Patent Number: Des. 401,704**

[45] **Date of Patent: **Nov. 24, 1998**

[54] **PAINT DISPENSER WITH BRUSH WIPE AND REST**

[76] Inventor: **Henry R. Clark**, 228 Timber La., Stockbridge, Ga. 30281

[**] Term: **14 Years**

[21] Appl. No.: **79,496**

[22] Filed: **Nov. 17, 1997**

[51] **LOC (6) Cl.** **07-07**

[52] **U.S. Cl.** **D32/53.1**

[58] **Field of Search** D32/53, 53.1, D32/54; 15/248.1, 260, 263, 264, 257.05, 257.01, 257.06; 220/571.1, 572, 694-700, 904

[56] **References Cited**

U.S. PATENT DOCUMENTS

D. 245,450	8/1977	Donlon	D32/53.1
D. 248,335	6/1978	Cooke et al.	D32/53.1
4,164,299	8/1979	Fuhr	15/257.06
4,927,046	5/1990	Armstrong	220/697

Primary Examiner—Alan P. Douglas
Assistant Examiner—Robin V. Taylor
Attorney, Agent, or Firm—Harry I. Leon

[57] **CLAIM**

The ornamental design for a paint dispenser with brush wipe and rest, as shown and described.

DESCRIPTION

FIG. 1 is a top, right side perspective view of a paint dispenser showing the design;
FIG. 2 is a top, right side perspective view of the paint dispenser according to FIG. 1, the broken-line disclosure of a person's hands holding the dispenser and a brush so as to wipe it across the cross bar are being showing for illustration purposes only and forming no part of the claimed design;
FIG. 3 is a top plan view of the paint dispenser;
FIG. 4 is a bottom view of the paint dispenser;
FIG. 5 is a front elevational view of the paint dispenser;
FIG. 6 is a rear elevational view of the paint dispenser;
FIG. 7 is a right side elevational view of the paint dispenser, the broken-line disclosure of a brush resting on the cross bar being shown for illustration purposes only and forming no part of the claimed design;
FIG. 8 is a left side elevational view of the plant dispenser; and,
FIG. 9 is a cross sectional view of the paint dispenser along line 9—9 of FIG. 3.

1 Claim, 3 Drawing Sheets

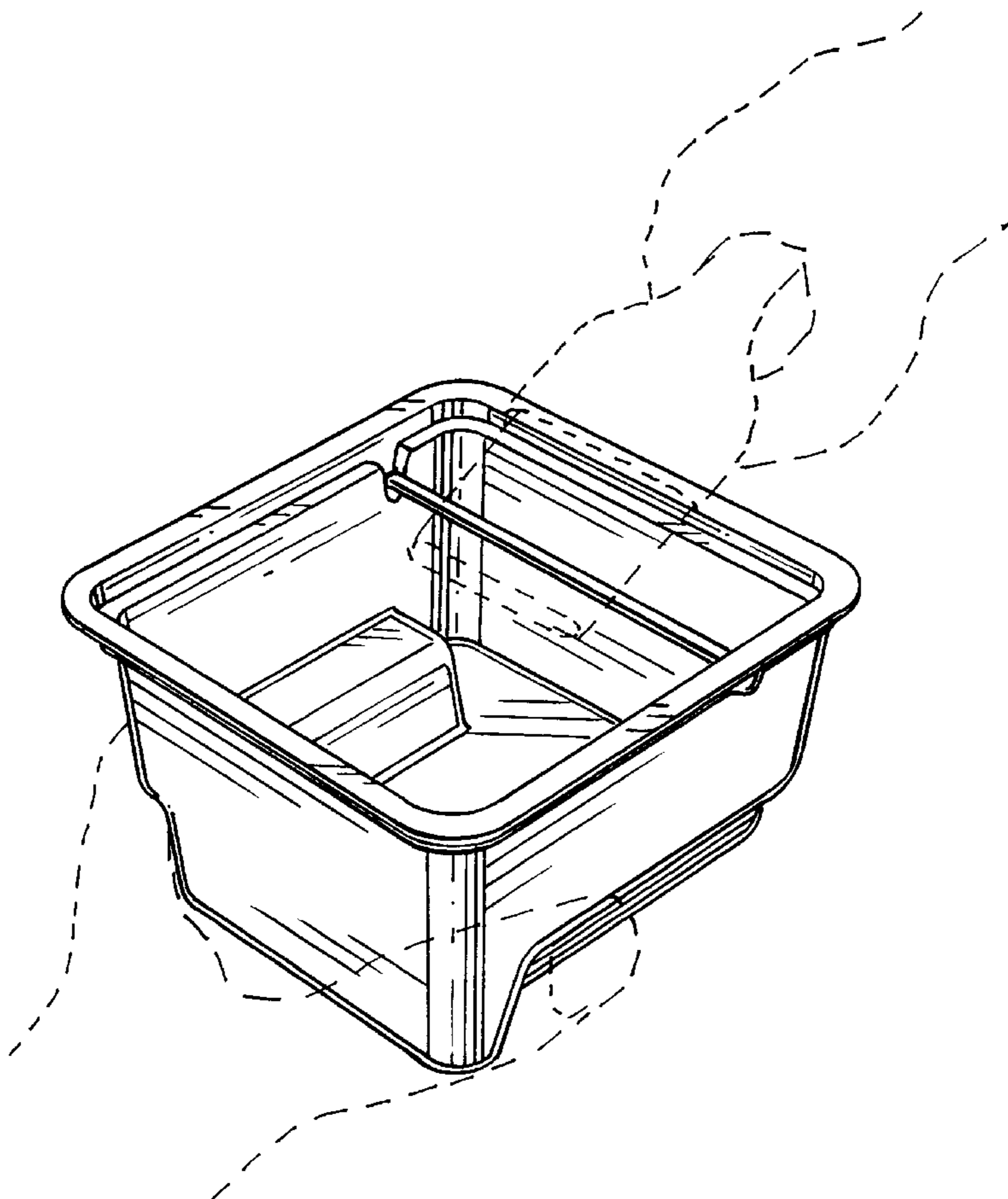


FIG. 2.

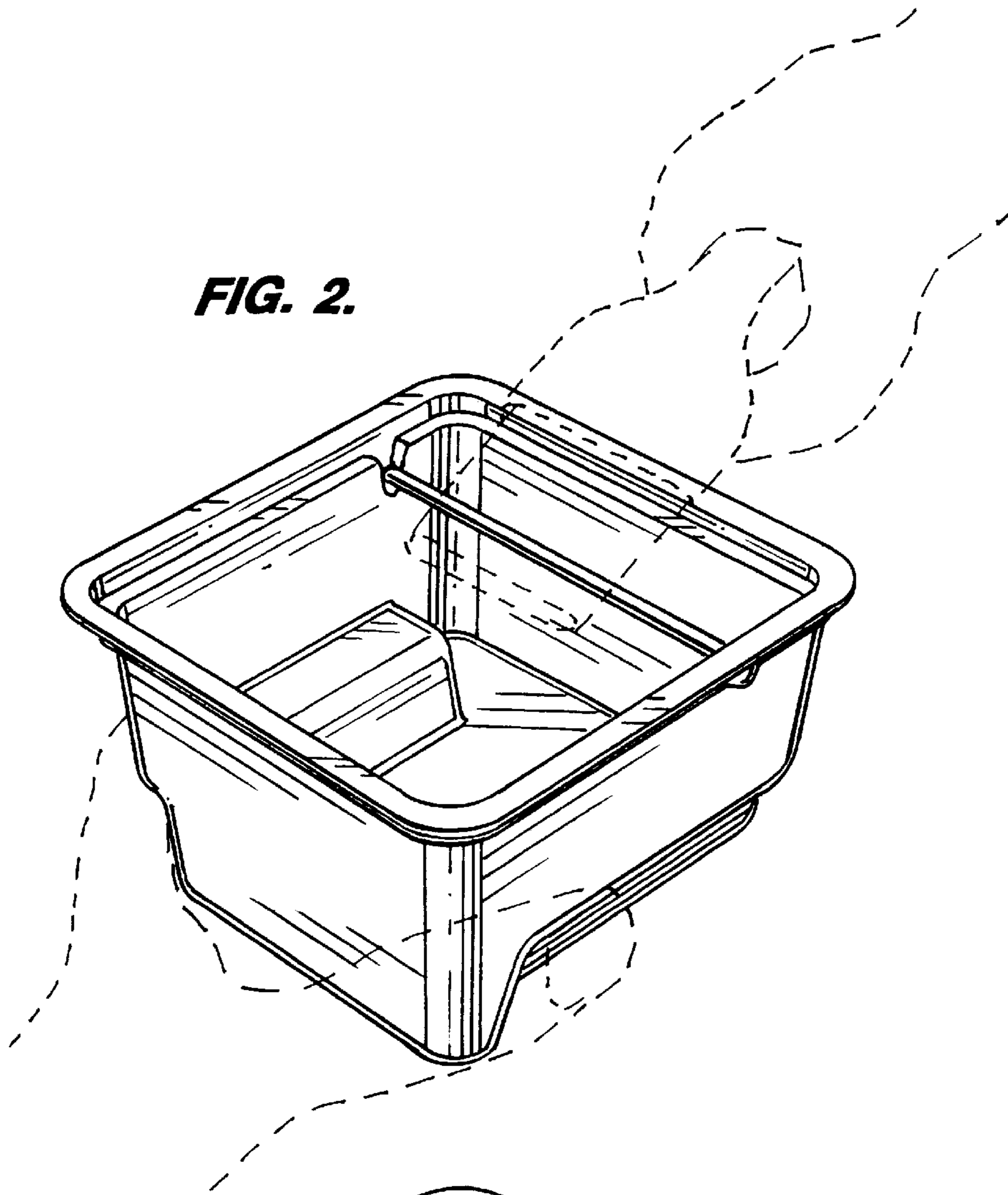


FIG. 1.

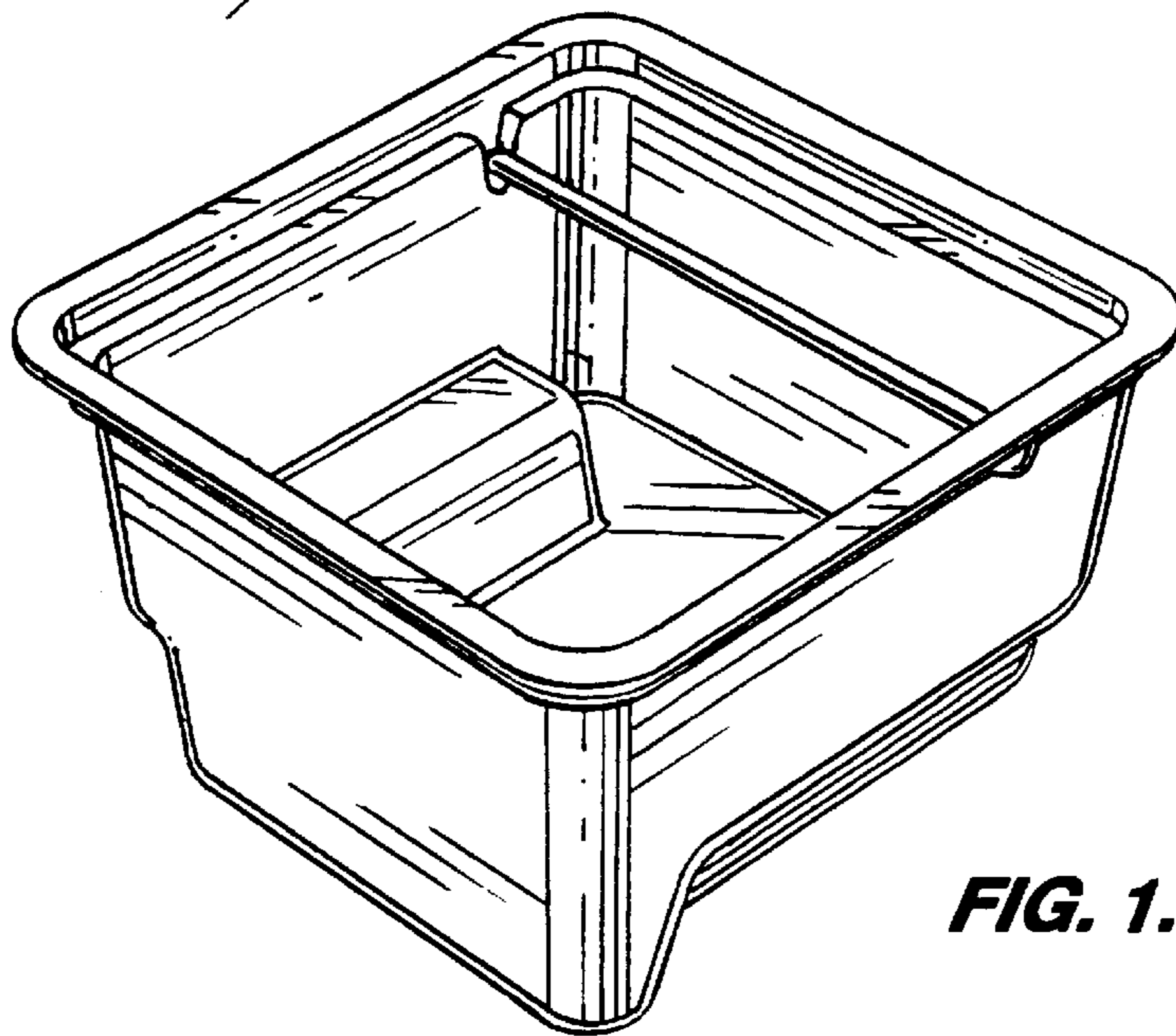


FIG. 3.

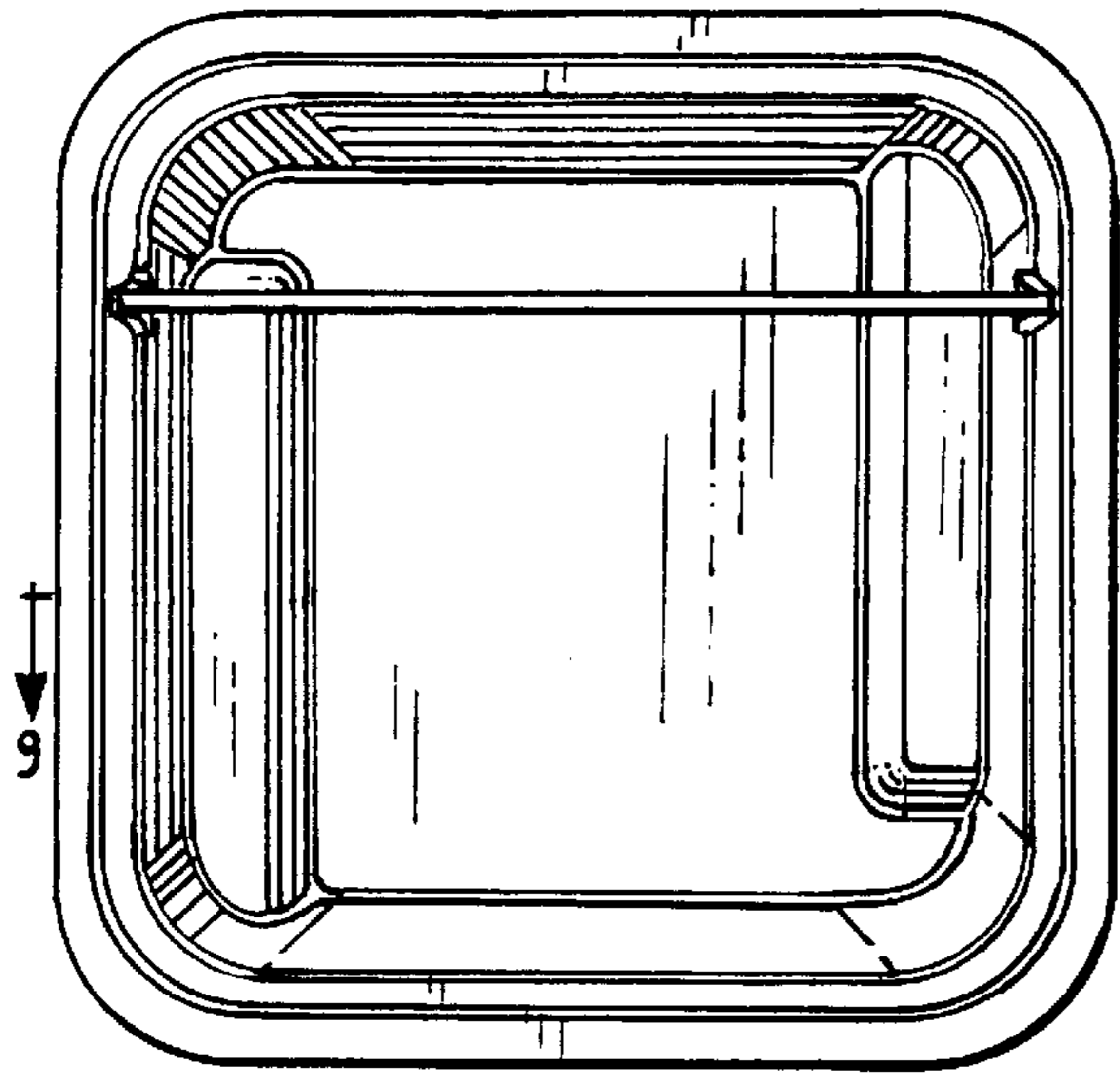


FIG. 4.

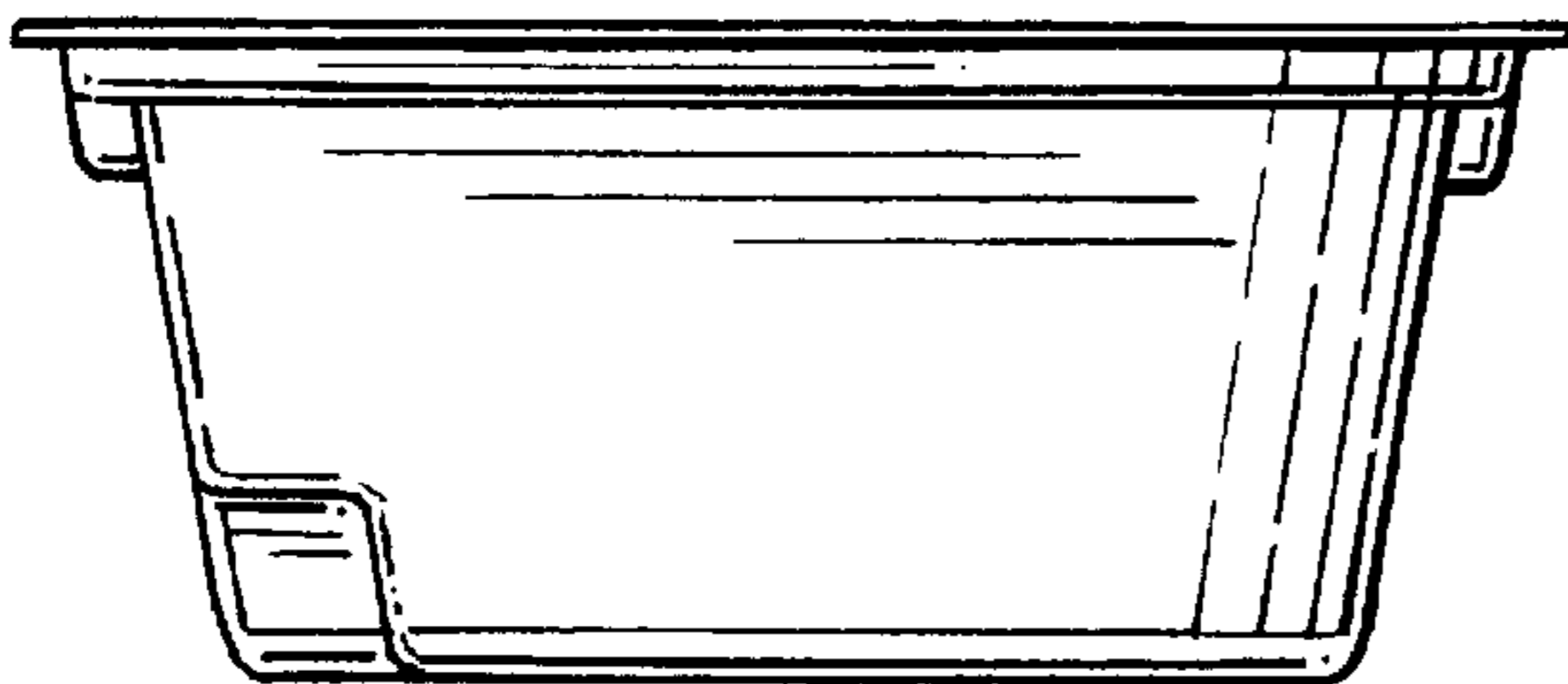
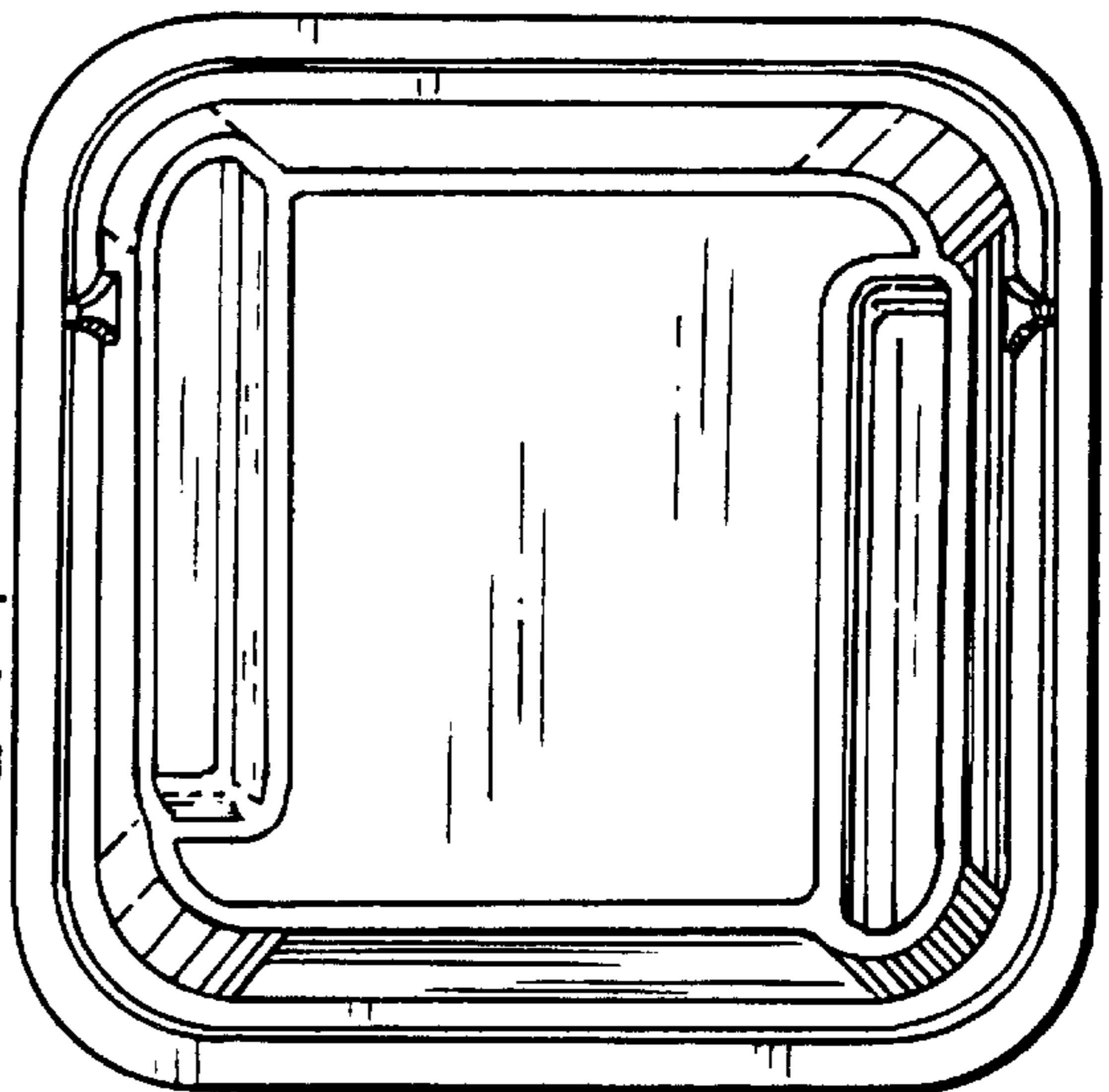


FIG. 5.

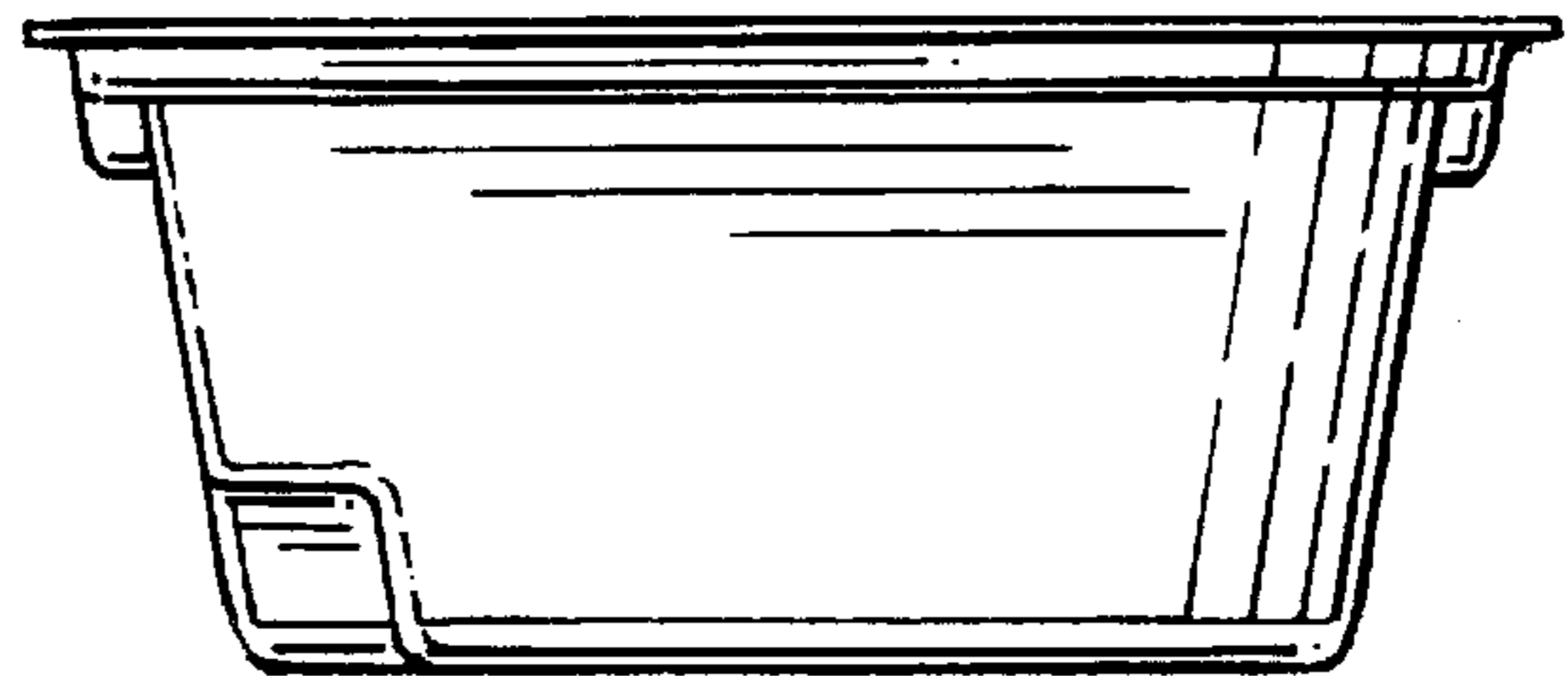


FIG. 6.

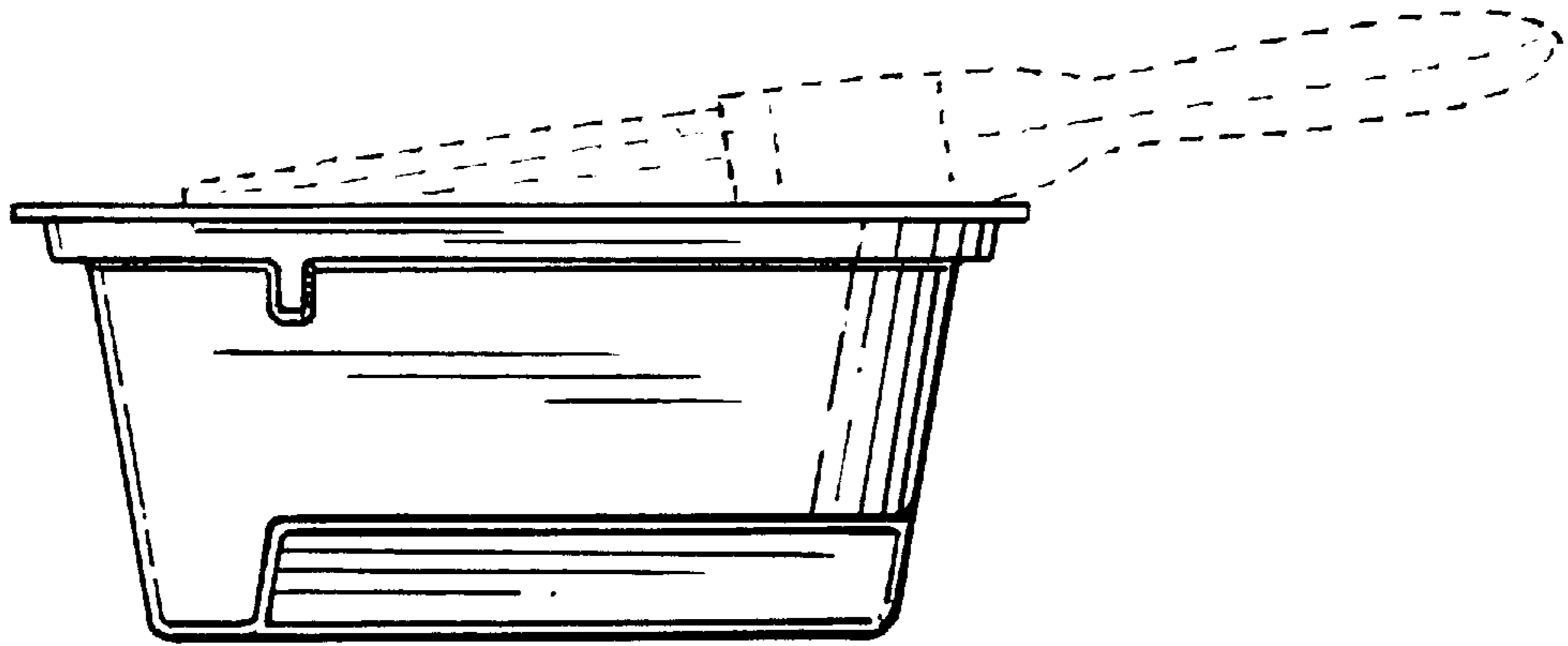


FIG. 7.

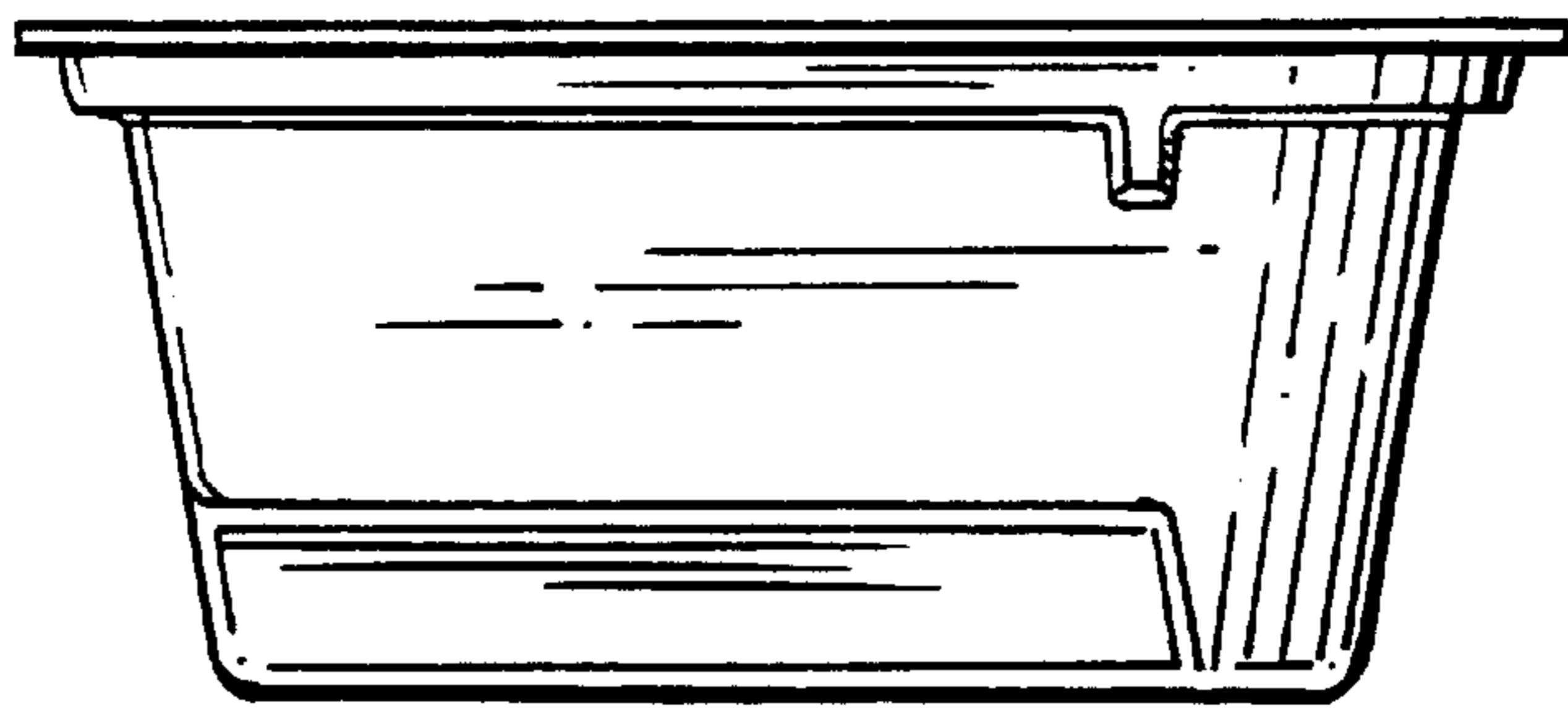


FIG. 8.

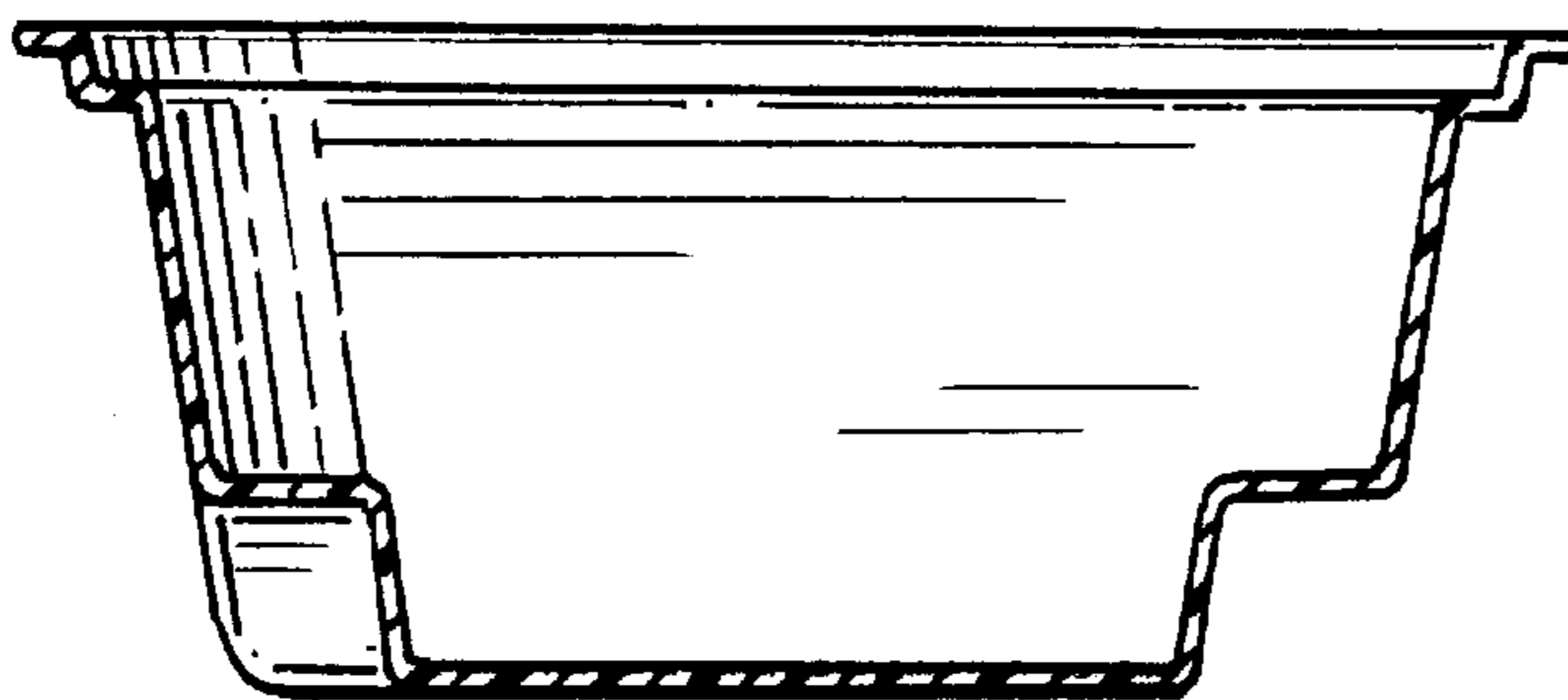


FIG. 9.