



US00D401703S

# United States Patent [19]

Beechuk et al.

[11] Patent Number: **Des. 401,703**

[45] Date of Patent: **\*\*Nov. 24, 1998**

[54] **CLEANING IMPLEMENT**

[75] Inventors: **Timothy J. Beechuk**; **Aram J. Irwin**, both of Cincinnati; **Christopher M. Miller**, Milford; **Vernon S. Ping, III**, Cincinnati; **Steven M. Schenum**, West Chester; **Jonathan J. Schwartz**, Cincinnati; **James W. Settlemayer, Jr.**, Cincinnati, all of Ohio

[73] Assignee: **The Procter & Gamble Company**, Cincinnati, Ohio

[\*\*] Term: **14 Years**

[21] Appl. No.: **62,810**

[22] Filed: **Nov. 26, 1996**

[51] **LOC (6) Cl.** ..... **08-05**

[52] **U.S. Cl.** ..... **D32/45**

[58] **Field of Search** ..... D32/40, 44, 45, D32/49, 50, 51; 15/115, 116.1, 116.2, 119.1, 120.2, 147.1, 150, 228, 229.1, 229.5, 229.9; 401/136, 137, 138, 140

[56] **References Cited**

**U.S. PATENT DOCUMENTS**

Re. 20,762 6/1938 Thompson .

D. 152,616	2/1949	Hartley .....	D32/45
D. 207,947	6/1967	Johnson .....	D32/45
D. 223,945	6/1972	Bousquet .....	D32/51 X
D. 358,238	5/1995	Barnett .....	D32/40 X
2,053,282	9/1936	Gewalt .	
2,061,216	11/1936	Thompson .	
2,262,334	11/1941	Ruggard .....	D32/51 X
3,081,481	3/1963	Nohl et al. .	
4,863,299	9/1989	Osberghaus et al. ....	401/138 X

*Primary Examiner*—Susan J. Lucas  
*Assistant Examiner*—Cynthia E. Ramirez  
*Attorney, Agent, or Firm*—Elizabeth M. Koch

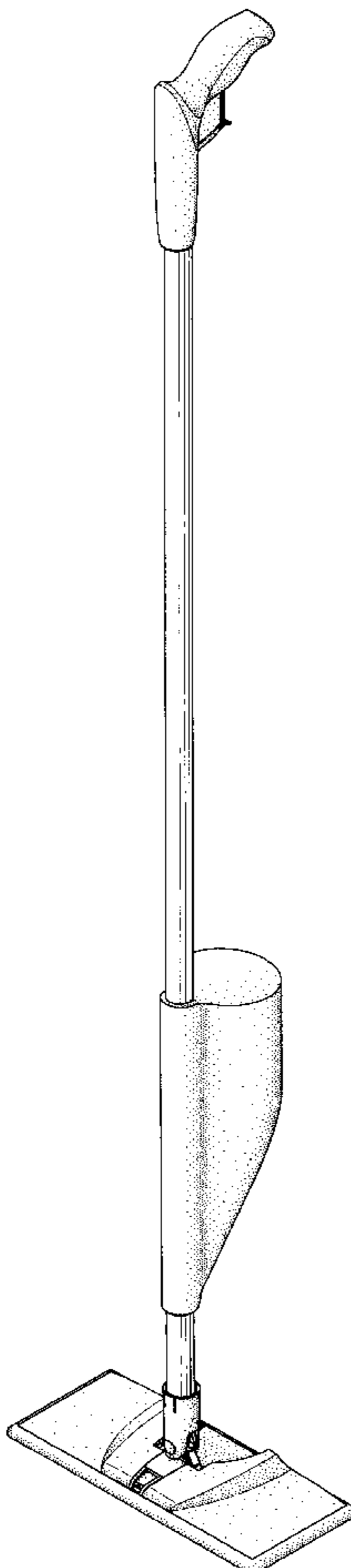
[57] **CLAIM**

The ornamental design for a cleaning implement, as shown and described.

**DESCRIPTION**

FIG. 1 is a perspective view of a cleaning implement, embodying my new design;  
FIG. 2 is a front elevational view thereof;  
FIG. 3 is a side elevational view thereof, the opposite side elevational view thereof being a mirror image;  
FIG. 4 is a rear elevational view;  
FIG. 5 is a top view thereof; and,  
FIG. 6 is a bottom view thereof.

**1 Claim, 3 Drawing Sheets**



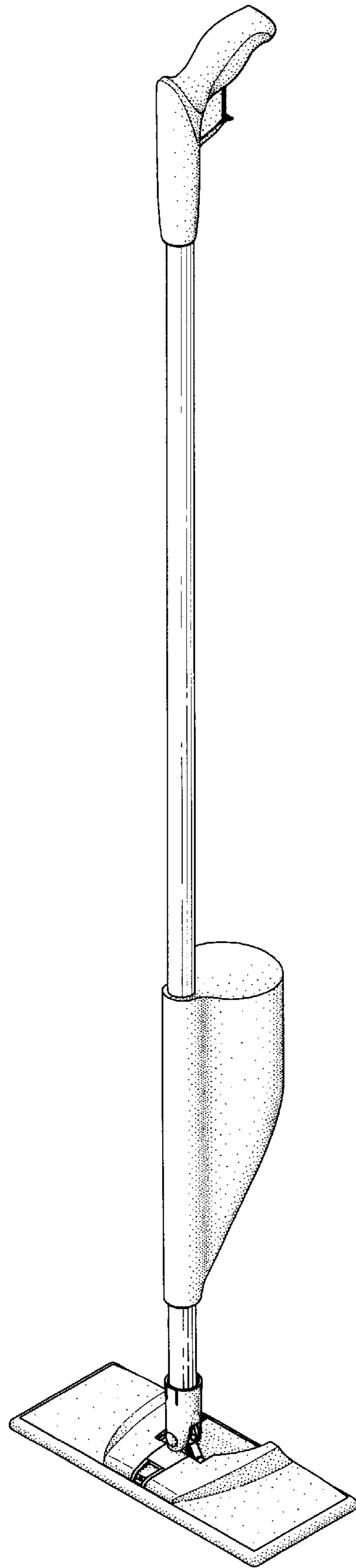


Fig. 1

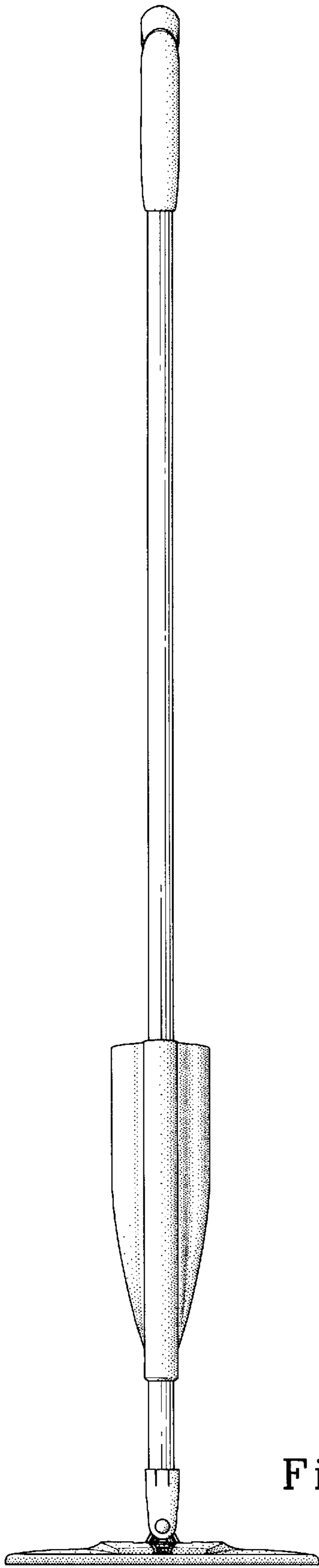


Fig. 2

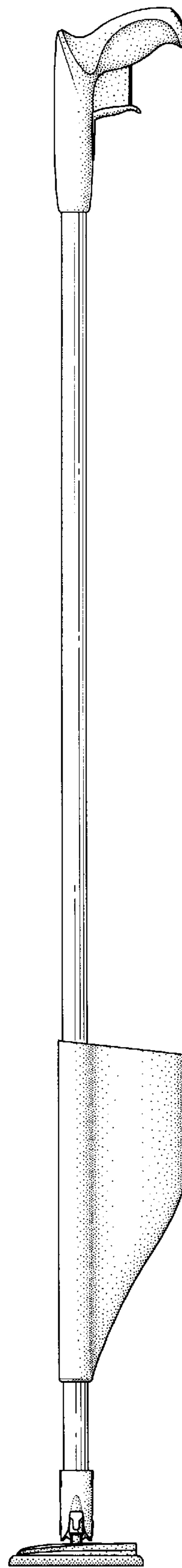


Fig. 3

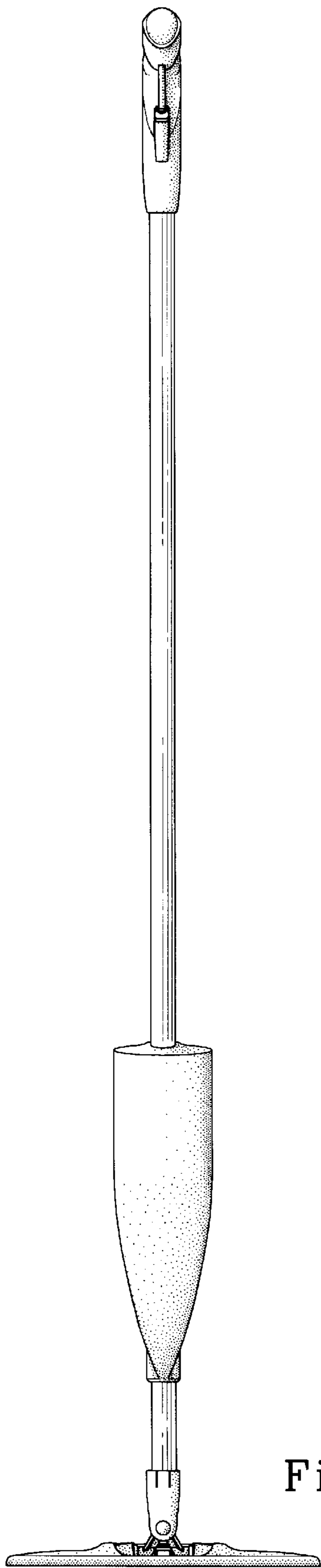


Fig. 4

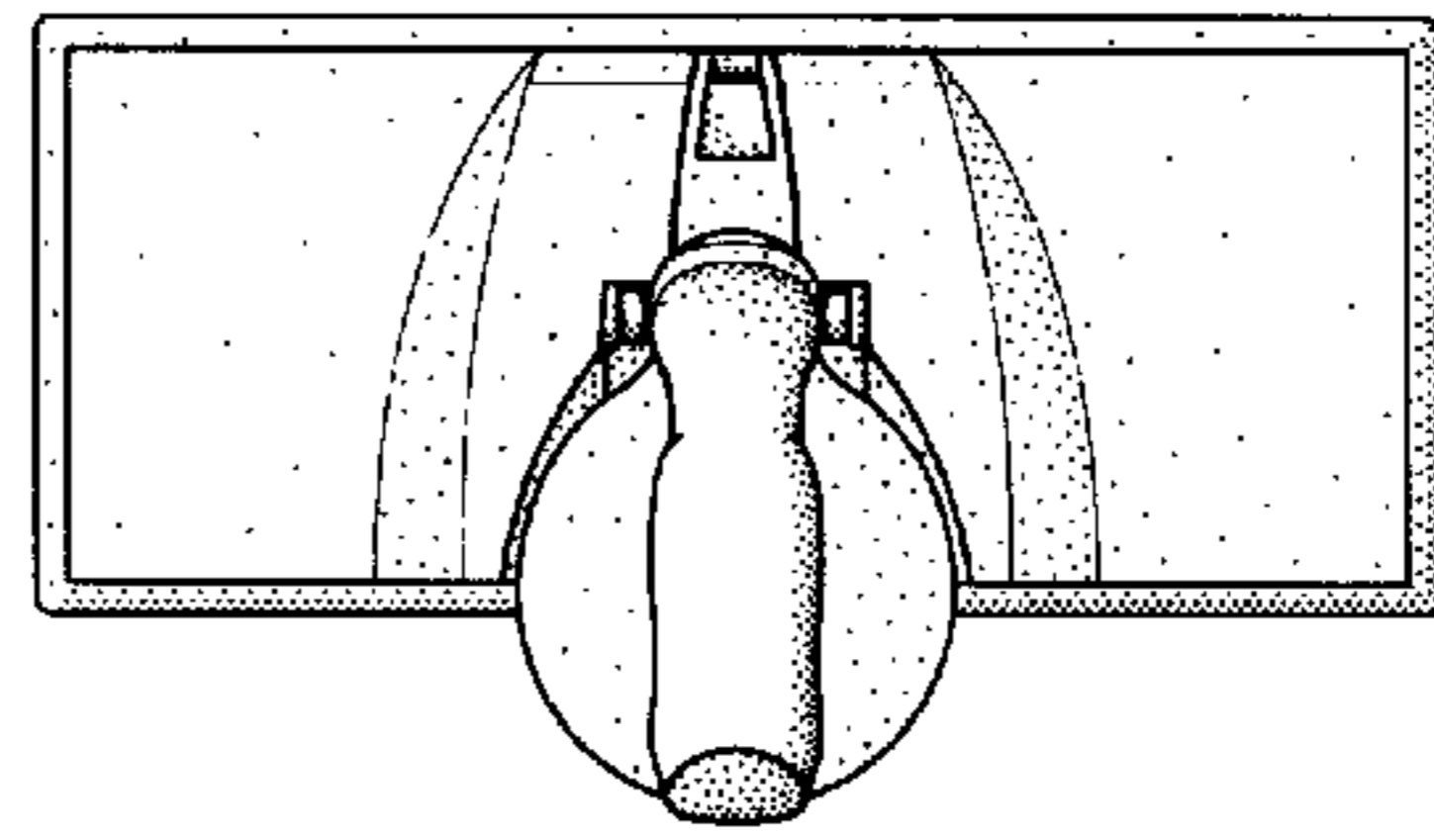


Fig. 5

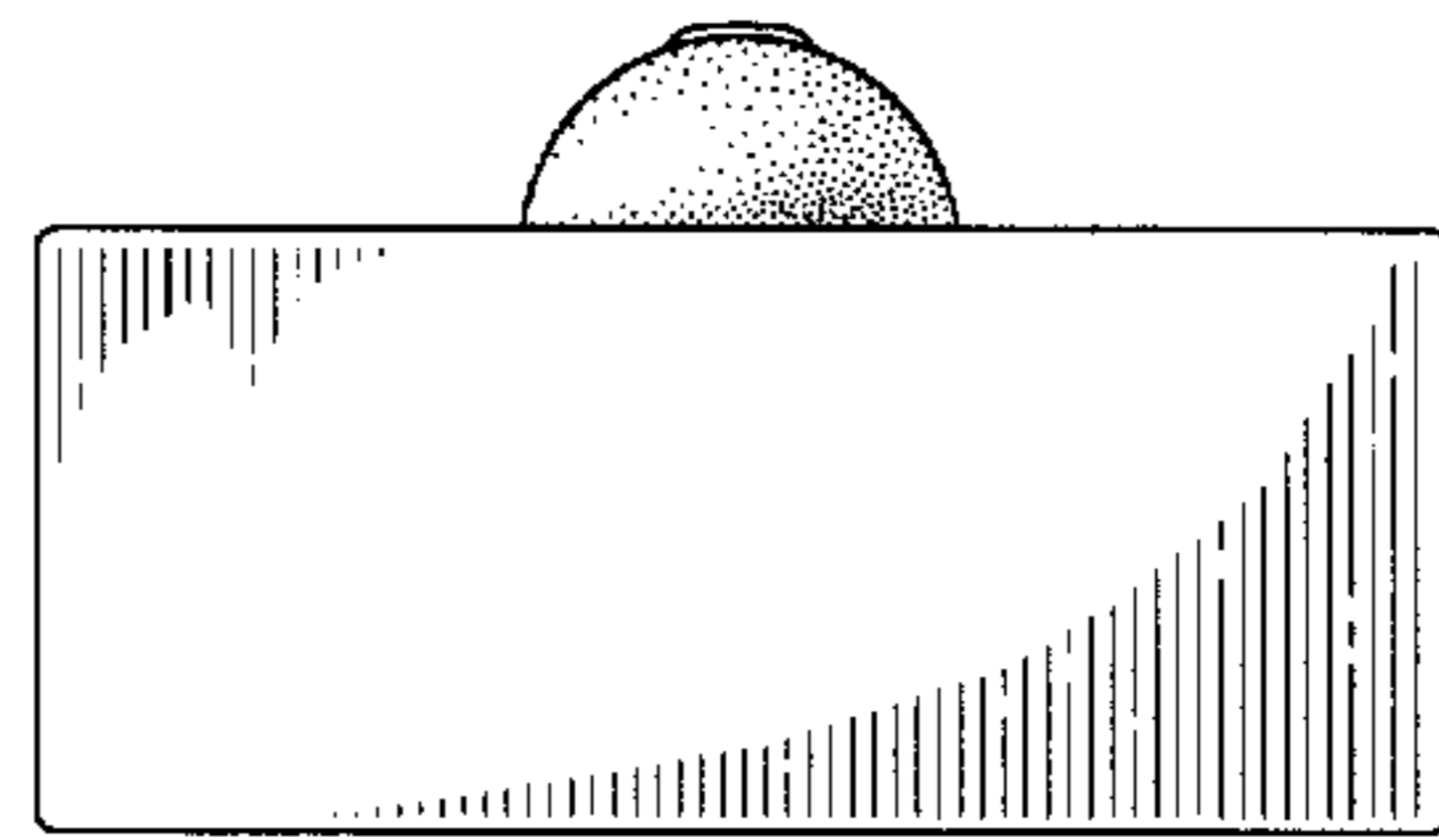


Fig. 6