



US00D401702S

United States Patent [19] Berti

[11] **Patent Number: Des. 401,702**

[45] **Date of Patent: **Nov. 24, 1998**

[54] **WRINGER SPONGE MOP HEAD**

[75] Inventor: **Enzo Berti**, Dolo/Venice, Italy

[73] Assignee: **The Libman Company**, Arcola, Ill.

[**] Term: **14 Years**

[21] Appl. No.: **72,437**

[22] Filed: **Jun. 17, 1997**

[51] **LOC (6) Cl. 08-05**

[52] **U.S. Cl. D32/44; D32/50**

[58] **Field of Search D32/50, 40, 51,**
D32/44, 52; 15/119.2, 119.1, 116.2, 244.1,
244.3, 244.4

3,030,648 4/1962 Greenleaf .
3,483,583 12/1969 Baumgartner .
4,044,419 8/1977 Robinson 15/119.1
4,181,999 1/1980 Maust et al. 15/119.1

Primary Examiner—Susan J. Lucas
Assistant Examiner—Cynthia E. Ramirez
Attorney, Agent, or Firm—Marshall, O’Toole, Gerstein,
Murray & Borun

[57] CLAIM

The ornamental design for a wringer sponge mop head, as shown and described.

DESCRIPTION

FIG. 1 is a perspective view of a wringer sponge mop head in accordance with the present invention;
FIG. 2 is a front view;
FIG. 3 is a top view;
FIG. 4 is a left-side view, the right-side view being a mirror image thereof;
FIG. 5 is a back view; and,
FIG. 6 is a bottom view.

[56] **References Cited**

U.S. PATENT DOCUMENTS

D. 336,699 6/1993 Murphy D32/44
D. 358,244 5/1995 Teufel et al. D32/44
2,794,998 6/1957 Watt 15/244.1 X
2,984,851 5/1961 Thompson et al. .
3,014,230 12/1961 Morgan 15/244.1 X

1 Claim, 3 Drawing Sheets

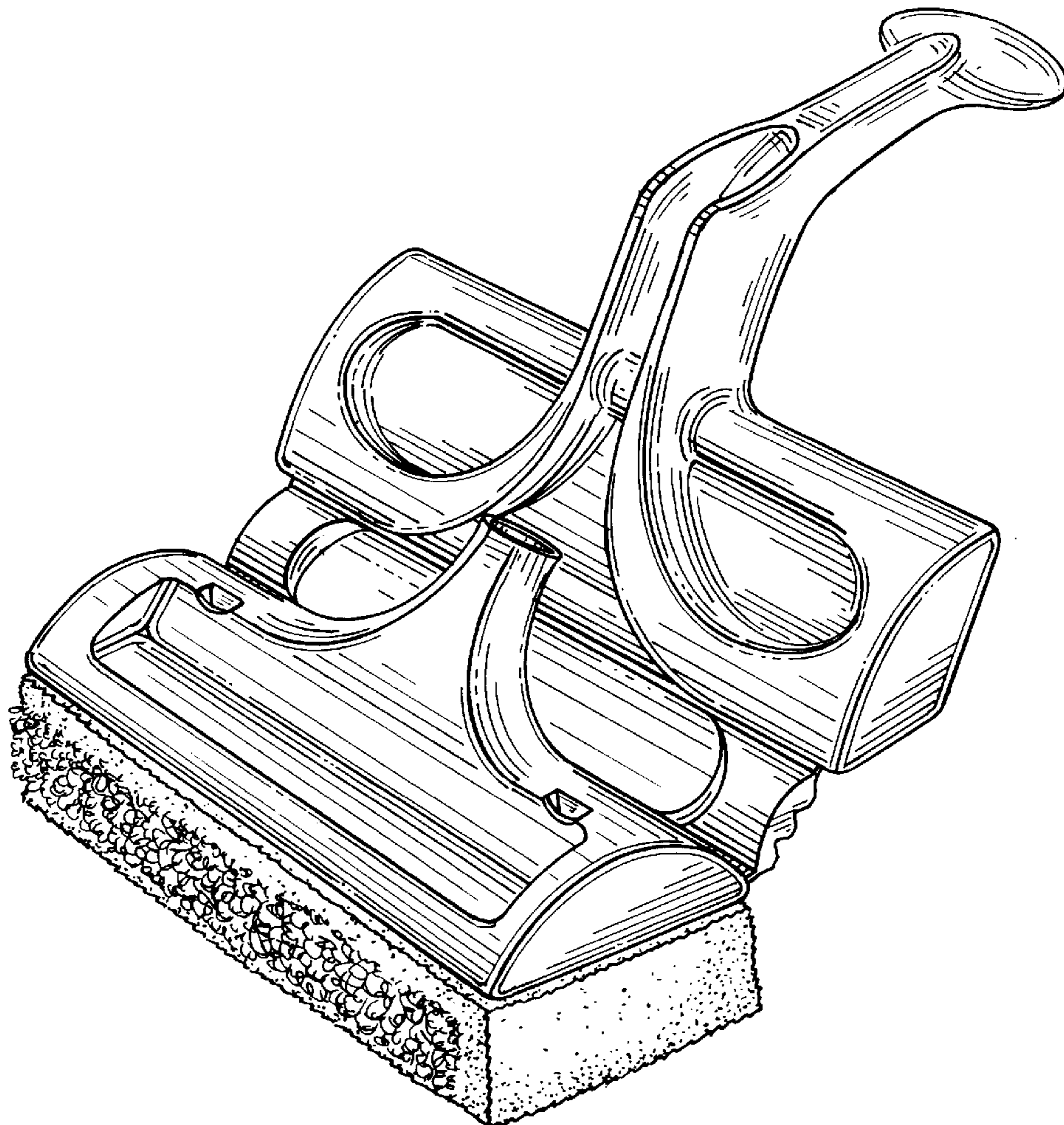


FIG. 1

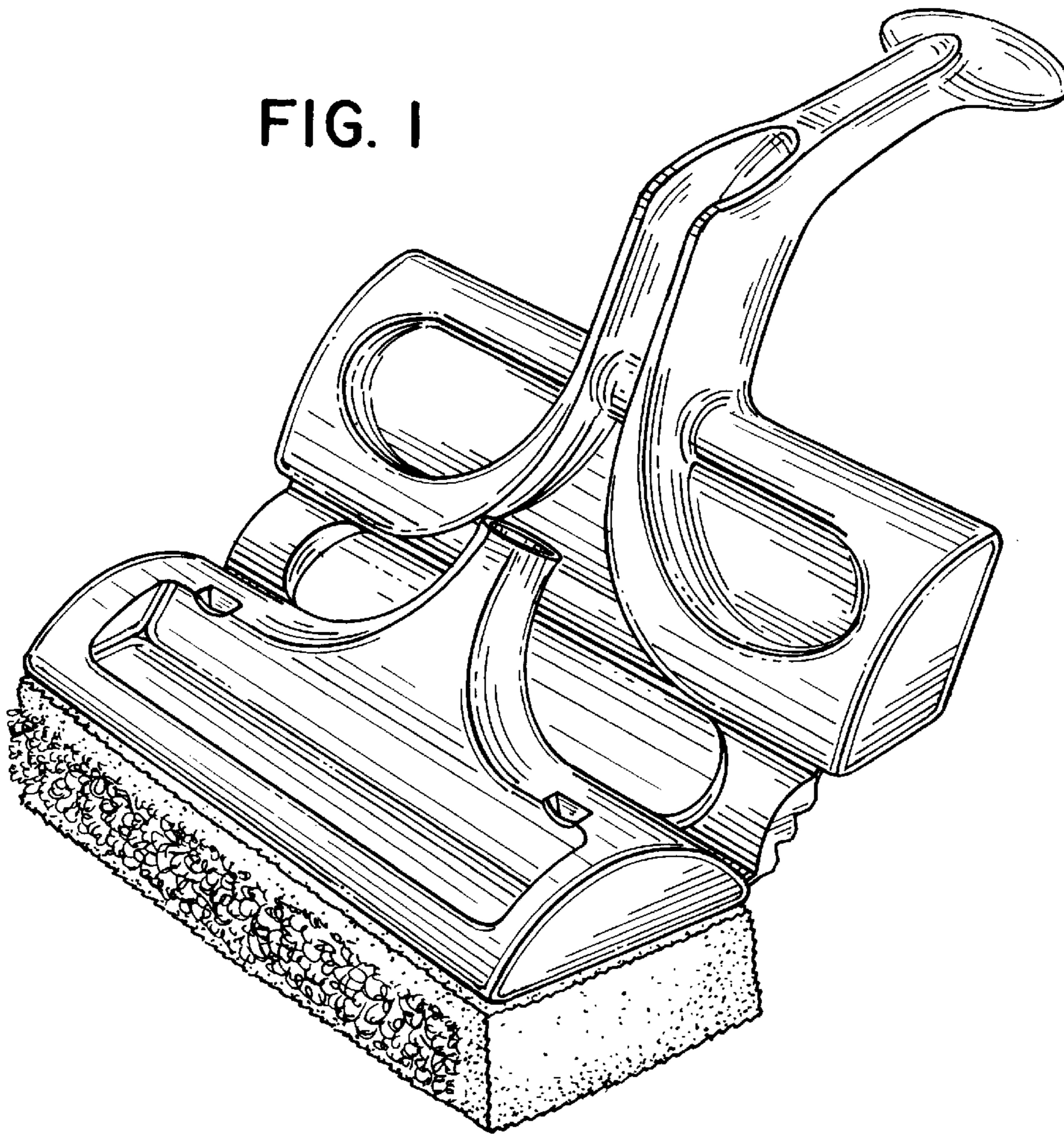


FIG. 2

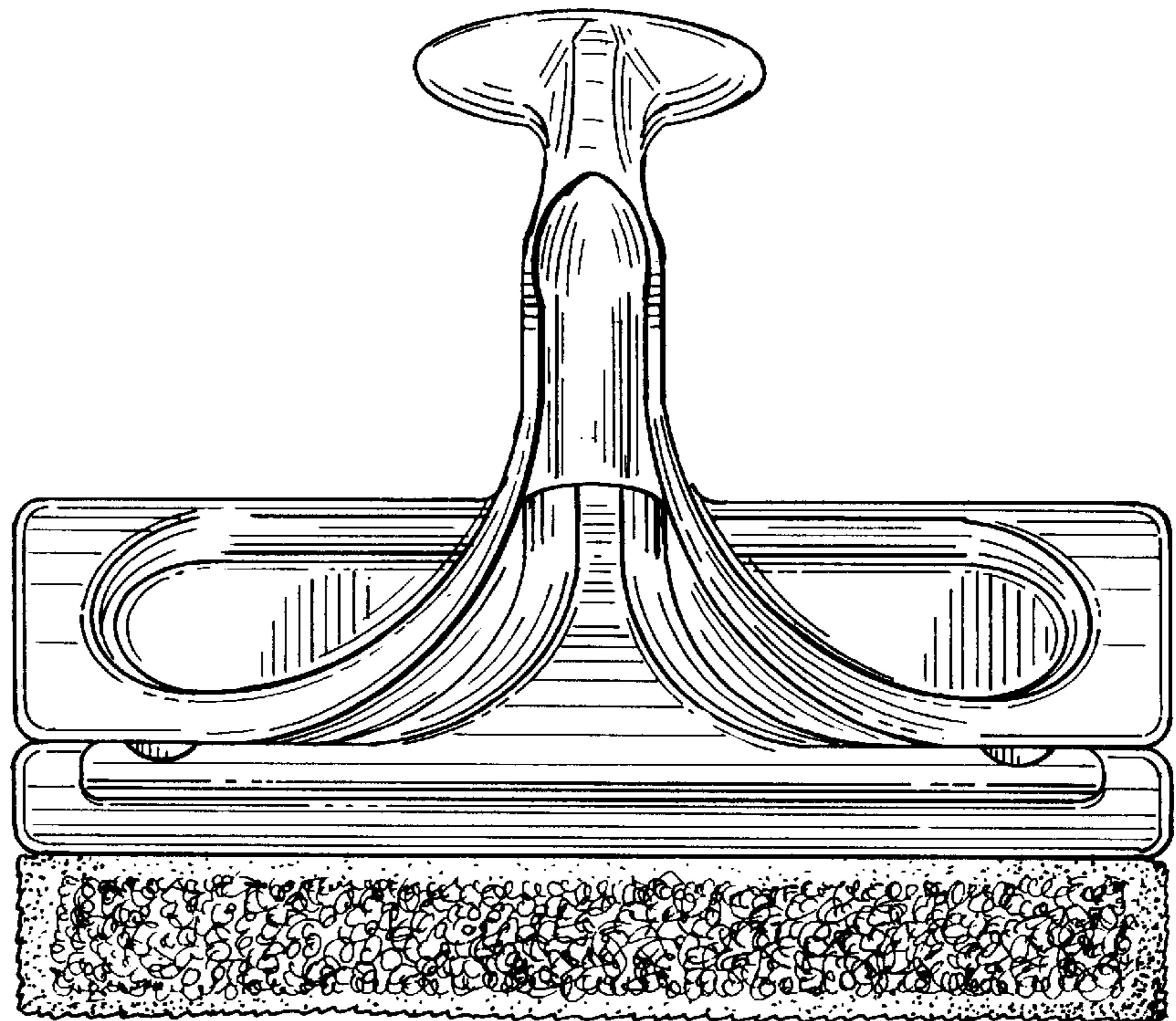


FIG. 3

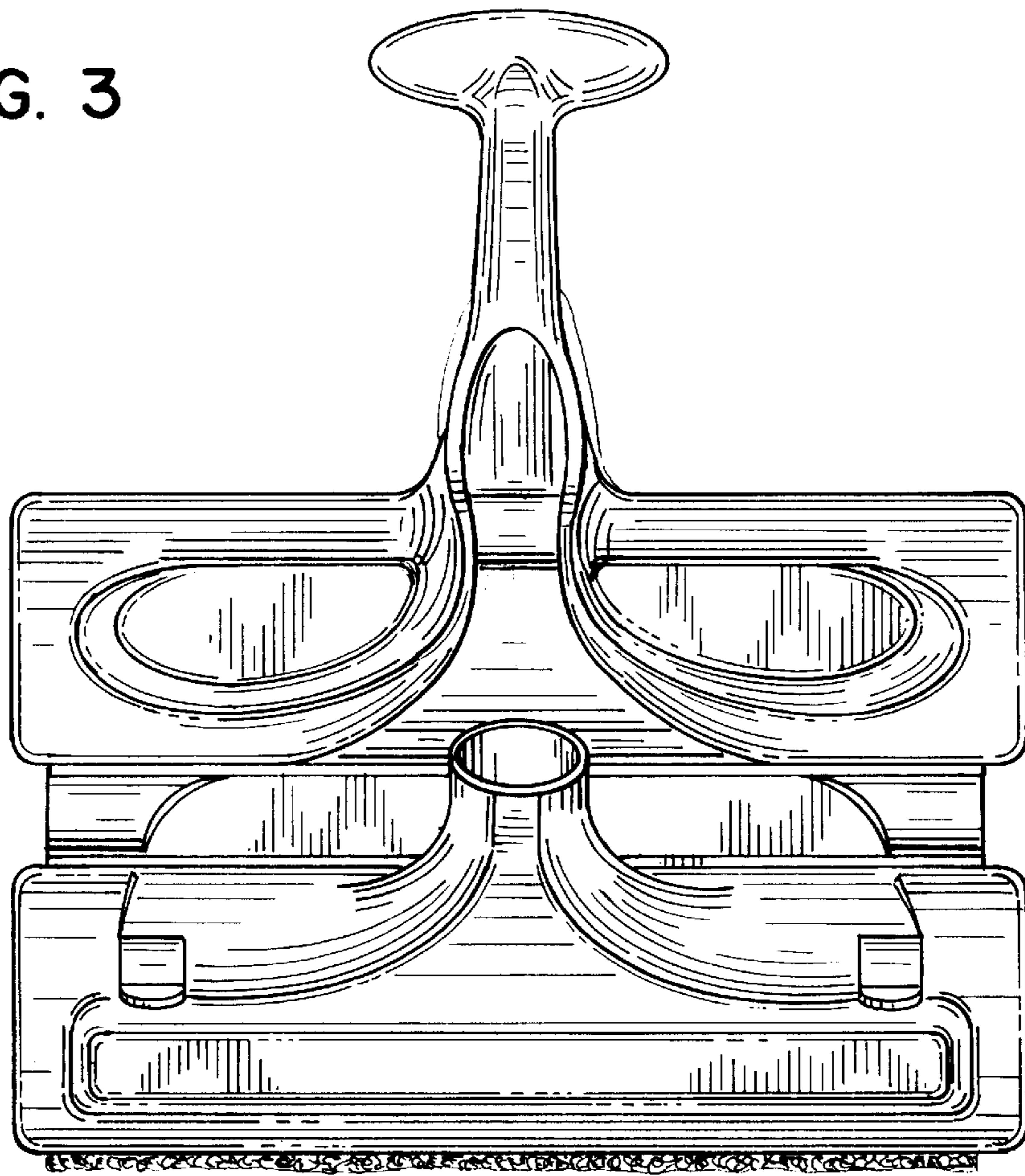


FIG. 4

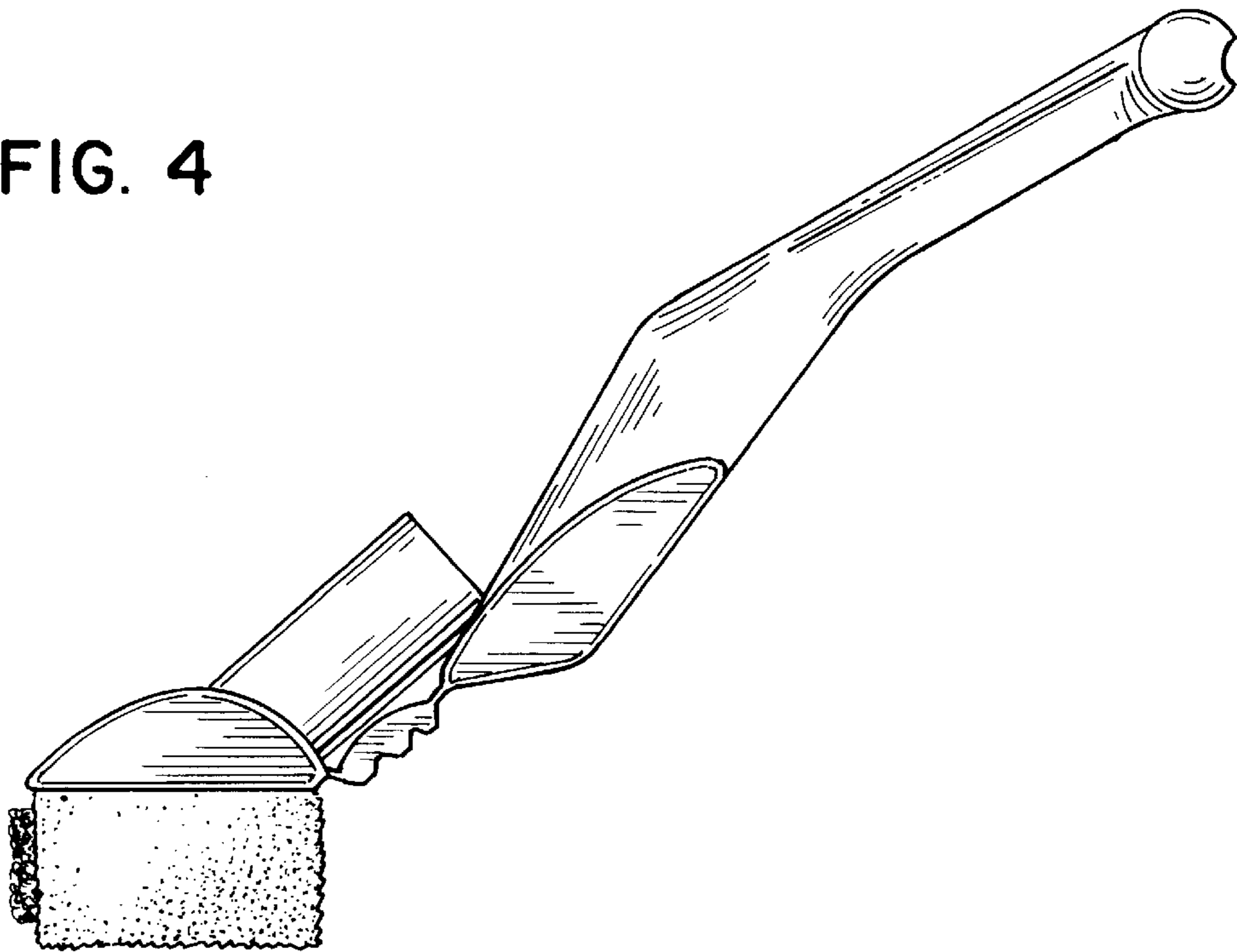


FIG. 5

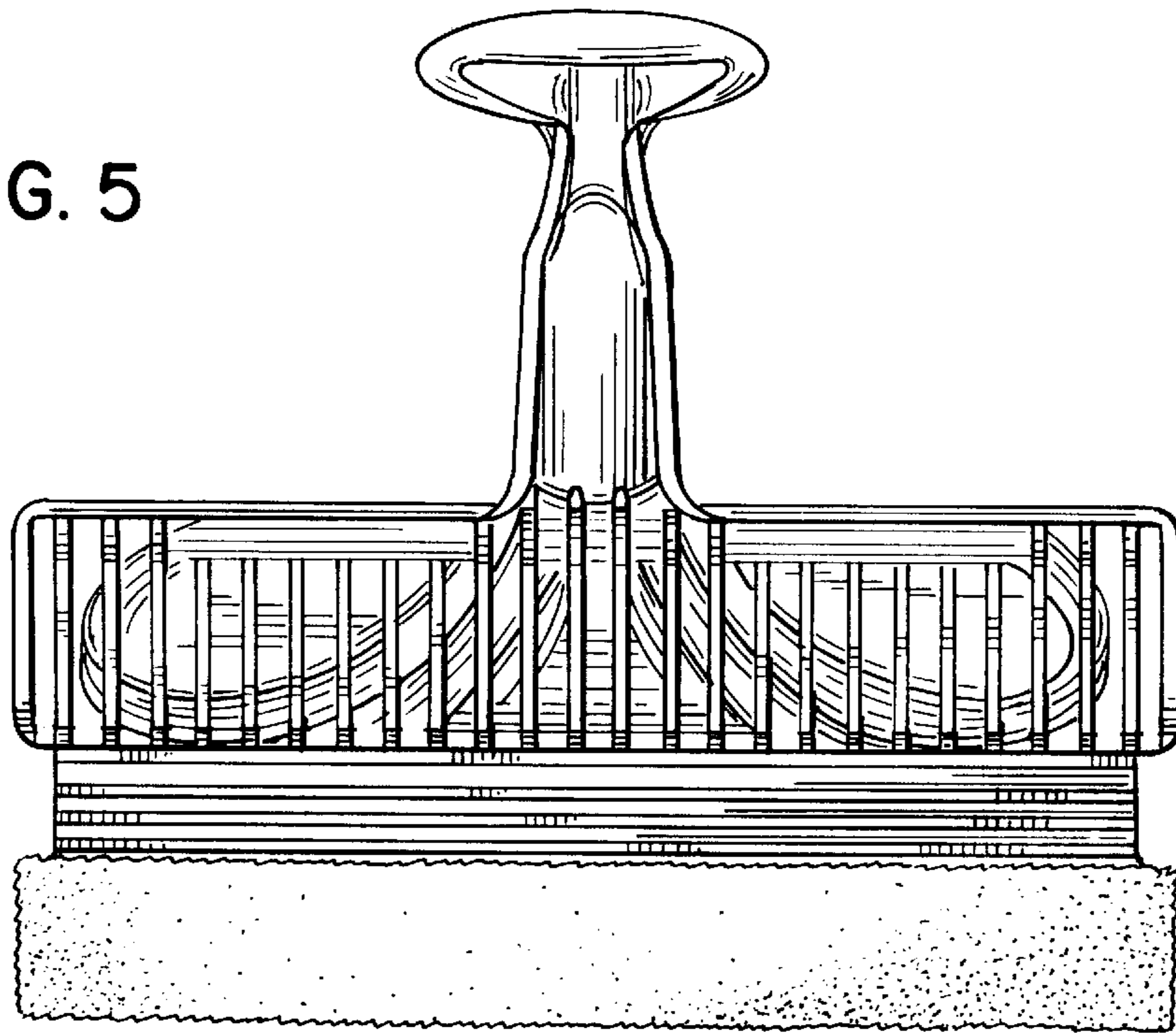


FIG. 6

