



US00D401697S

United States Patent [19]

[11] Patent Number: Des. 401,697

Cloonan et al.

[45] Date of Patent: **Nov. 24, 1998

[54] CONTAINER

[75] Inventors: **Kevin M. Cloonan**, Round Lake; **Ted J. Hanagan**, Libertyville; **Kirk M. Kimler**, Grayslake, all of Ill.; **Scott G. Safar**, Pleasant Prairie, Wis.

[73] Assignee: **Abbott Laboratories**, Abbott Park, Ill.

[**] Term: **14 Years**

[21] Appl. No.: **71,135**

[22] Filed: **May 21, 1997**

[51] LOC (6) Cl. **24-01**

[52] U.S. Cl. **D24/224**

[58] Field of Search D24/224; D9/500, D9/520, 503, 504; 206/526; 402/102, 939, 940; 220/657; 356/246; 606/160; 218/382, DIG. 3

4,799,599	1/1989	Herrmann	215/307
4,859,423	8/1989	Perlman	422/102
4,886,177	12/1989	Foster	215/247
4,927,605	5/1990	Dorn et al.	422/102
4,965,187	10/1990	Tonelli	435/5
4,980,293	12/1990	Jeffer	435/296
5,038,958	8/1991	Dreier	220/366
5,071,766	12/1991	Barr et al.	435/284
5,102,631	4/1992	Jordan et al.	422/42
5,139,951	8/1992	Butz et al.	435/284
5,167,929	12/1992	Korf et al.	422/102
5,180,555	1/1993	Monget	422/102
5,225,165	7/1993	Perlman	422/102
5,242,660	9/1993	Hsei	422/102
5,244,637	9/1993	Pratellesi et al.	422/102
5,254,312	10/1993	Staebler et al.	422/100
5,275,299	1/1994	Konrad et al.	215/341
5,288,466	2/1994	Burns	422/102
5,377,854	1/1995	Cusack	215/364
5,384,096	1/1995	Burns	422/102
5,392,949	2/1995	McKenna	220/712
5,431,884	7/1995	McDonough et al.	422/102
5,441,895	8/1995	Jakubowicz et al.	436/518
5,501,841	3/1996	Lee et al.	422/101
5,725,832	3/1998	Gundelsheimer	422/102

[56] References Cited

U.S. PATENT DOCUMENTS

D. 25,526	12/1896	Braum et al.	D24/224
D. 232,355	8/1974	Weidmann	D24/224
893,469	7/1908	Essmuller et al. .	
2,587,221	2/1952	Richardson et al.	23/230
2,955,722	10/1960	Antonious	215/100.5
3,085,705	4/1963	Varney	215/41
3,223,269	12/1965	Williams	215/43
3,317,069	5/1967	Chin	215/47
3,606,074	9/1971	Hayes	220/42
3,607,098	9/1971	Strande	23/259
3,655,089	4/1972	Tower	220/42
3,807,457	4/1974	Logsdon	138/89
3,807,955	4/1974	Note, Jr. et al.	23/230
3,826,397	7/1974	Atkins	215/41
3,850,341	11/1974	Bart	220/212
3,980,268	9/1976	Ellis	249/49
4,065,358	12/1977	Kawai et al.	195/127
4,094,641	6/1978	Friswell	23/230
4,106,907	8/1978	Charlton et al.	23/230
4,244,920	1/1981	Manschot et al.	422/102
4,278,437	7/1981	Haggar	23/230
4,335,730	6/1982	Griffin	128/760
4,542,833	9/1985	De Vaughn	215/319
4,583,668	4/1986	Maynard, Jr.	222/529
4,755,356	7/1988	Robbins et al.	422/102
4,761,379	8/1988	Williams et al.	435/296

OTHER PUBLICATIONS

Cole-Parmer Instrument Company Catalog, p. 698, item L-06334-30, Dec. 1992.

Primary Examiner—Louis S. Zarfes
Assistant Examiner—Gregory Andoll
Attorney, Agent, or Firm—Mark C. Bach

[57] CLAIM

The ornamental design for container, as shown and described.

DESCRIPTION

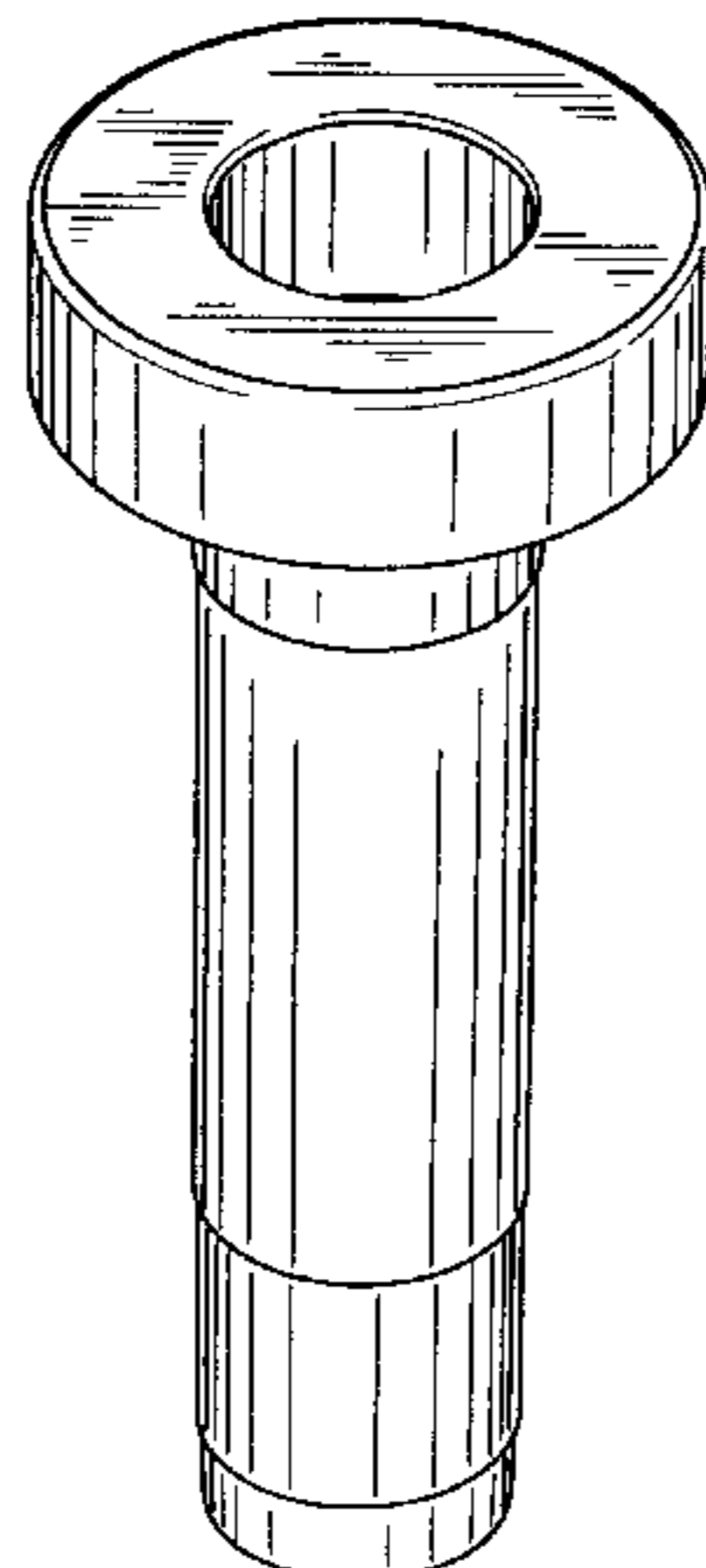
FIG. 1 is a perspective view of one embodiment of a container;

FIG. 2 is a side view of the embodiment of FIG. 1;

FIG. 3 is a top view of the embodiment of FIG. 2; and,

FIG. 4 is a bottom view at an enlarged scale of the embodiment of FIG. 3.

1 Claim, 2 Drawing Sheets



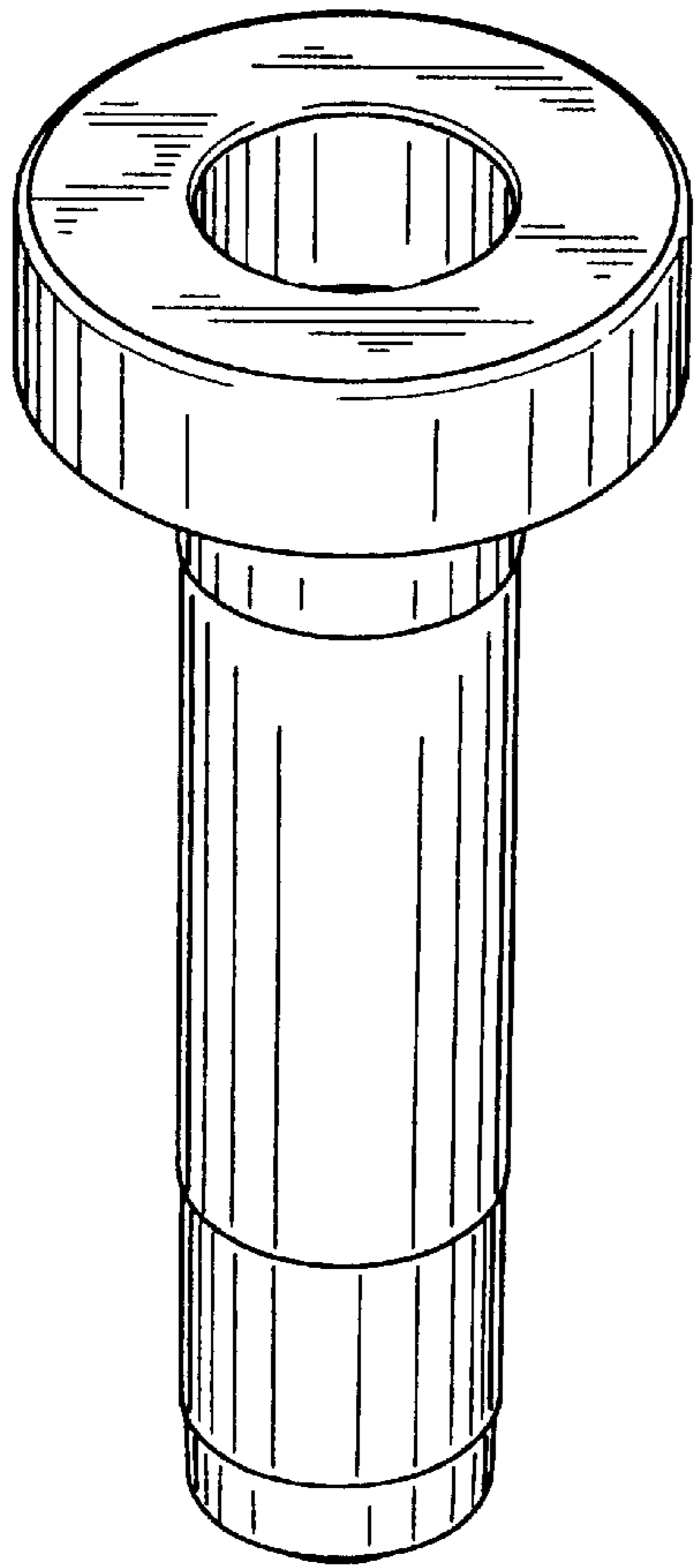


FIG. 1

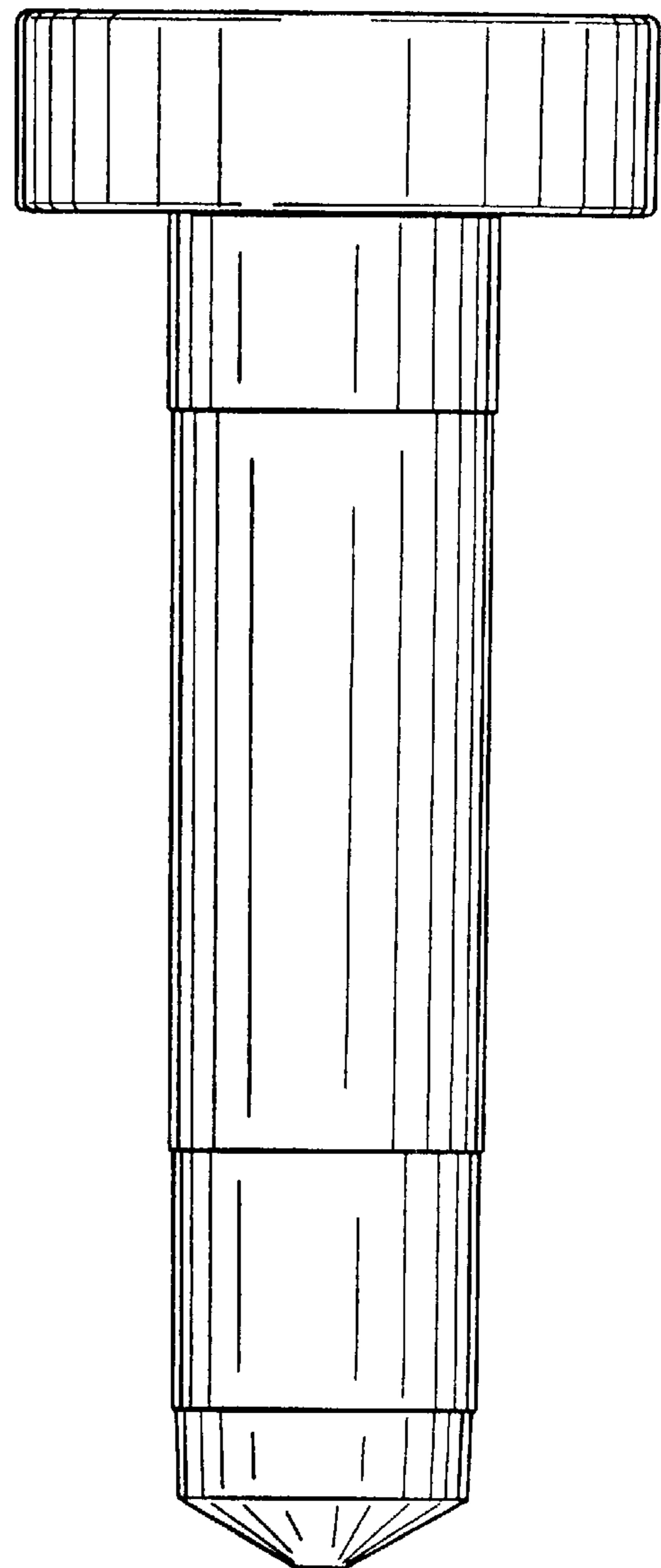


FIG. 2

FIG. 3

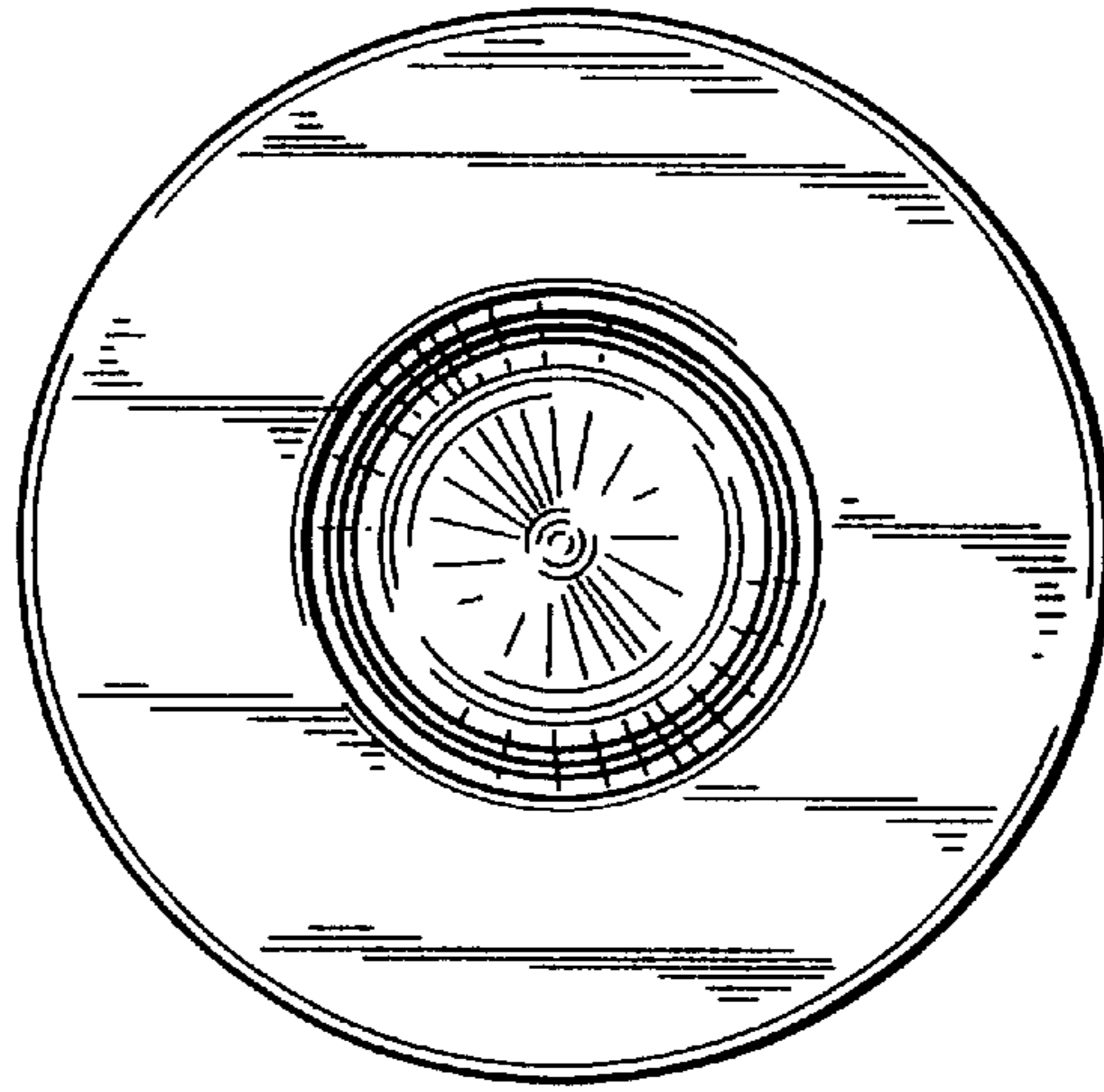


FIG. 4

