



US00D401694S

United States Patent [19]
Daftary

[11] **Patent Number: Des. 401,694**

[45] **Date of Patent: **Nov. 24, 1998**

[54] **ANATOMIC IMPLANT**

Attorney, Agent, or Firm—Thomas I. Rozsa; Tony D. Chen

[76] **Inventor: Fereidoun Daftary**, 9001 Wilshire Blvd., No. 205, Beverly Hills, Calif. 90211

[57] **CLAIM**

The ornamental design for an anatomic implant, as shown and described.

[**] **Term: 14 Years**

DESCRIPTION

[21] **Appl. No.: 63,182**

FIG. 1 is a perspective view of the anatomic implant, showing my new design;

[22] **Filed: Dec. 2, 1996**

FIG. 2 is a front elevational view thereof;

[51] **LOC (6) Cl. 24-03**

FIG. 3 is a rear elevational view thereof;

[52] **U.S. Cl. D24/155; D8/387**

FIG. 4 is a left side elevational view, when viewed from FIG. 2;

[58] **Field of Search D24/155, 176, D24/231; 433/172-174, 181; D8/387**

FIG. 5 is a right side elevational view, when viewed from FIG. 2;

[56] **References Cited**

FIG. 6 is a top plan view thereof;

FIG. 7 is a bottom plan view thereof;

U.S. PATENT DOCUMENTS

FIG. 8 is a perspective view of another embodiment of the anatomic implant, shown in FIG. 1;

| | | | | |
|------------|--------|----------------|-------|---------|
| D. 227,442 | 6/1973 | Ebi | | D8/387 |
| 5,000,686 | 3/1991 | Lazzara et al. | | 433/174 |
| 5,312,254 | 5/1994 | Rosenlicht | | 433/173 |
| 5,417,568 | 5/1995 | Giglio | | 433/173 |
| 5,662,475 | 9/1997 | Mena | | 433/172 |

FIG. 9 is a front elevational view thereof;

FIG. 10 is a rear elevational view thereof;

FIG. 11 is a left side elevational view, when viewed from FIG. 9;

FOREIGN PATENT DOCUMENTS

| | | | | |
|---------|--------|--------------------|-------|---------|
| 0412845 | 2/1991 | European Pat. Off. | | 433/174 |
|---------|--------|--------------------|-------|---------|

FIG. 12 is a right side elevational view, when viewed from FIG. 9;

FIG. 13 is a top plan view thereof; and,

FIG. 14 is a bottom plan view thereof.

Primary Examiner—Louis S. Zarfes
Assistant Examiner—Gregory Andoll

1 Claim, 4 Drawing Sheets

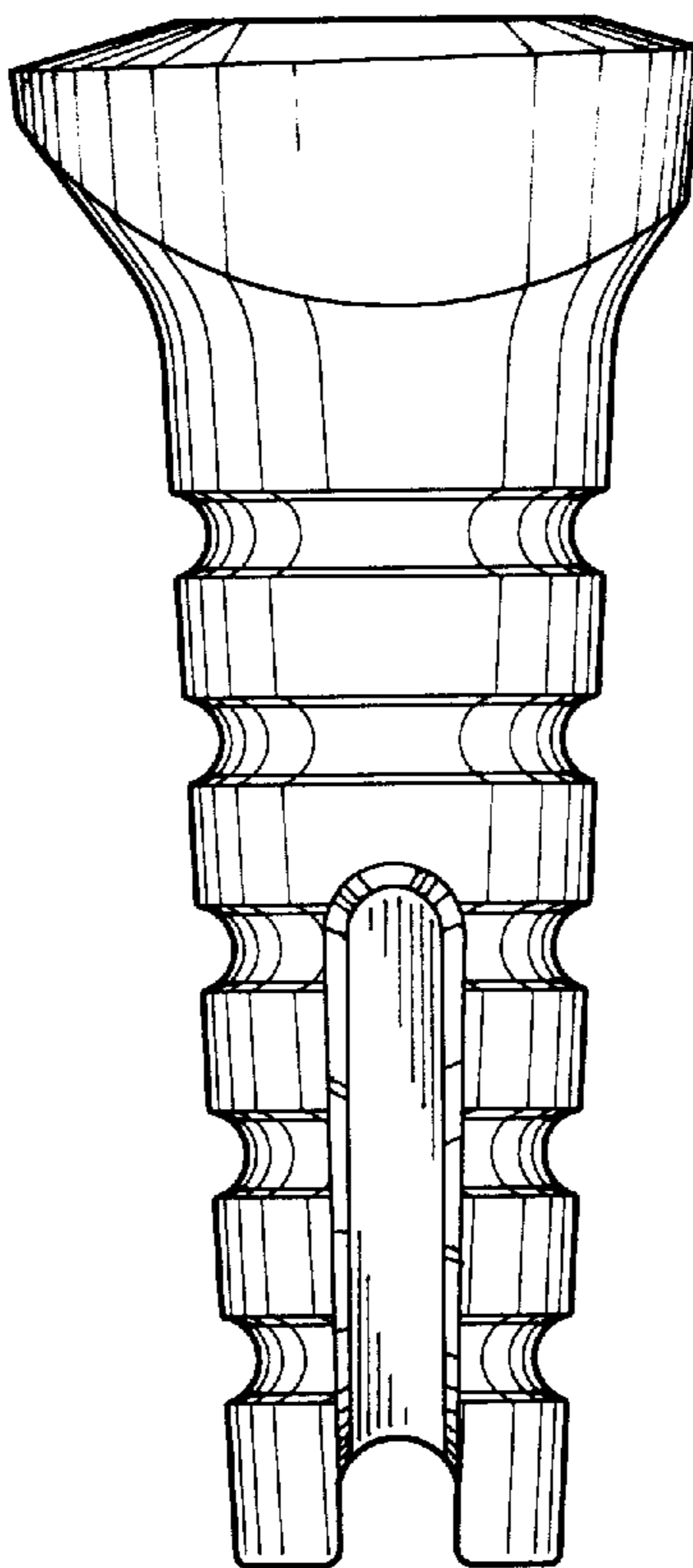


FIG.1

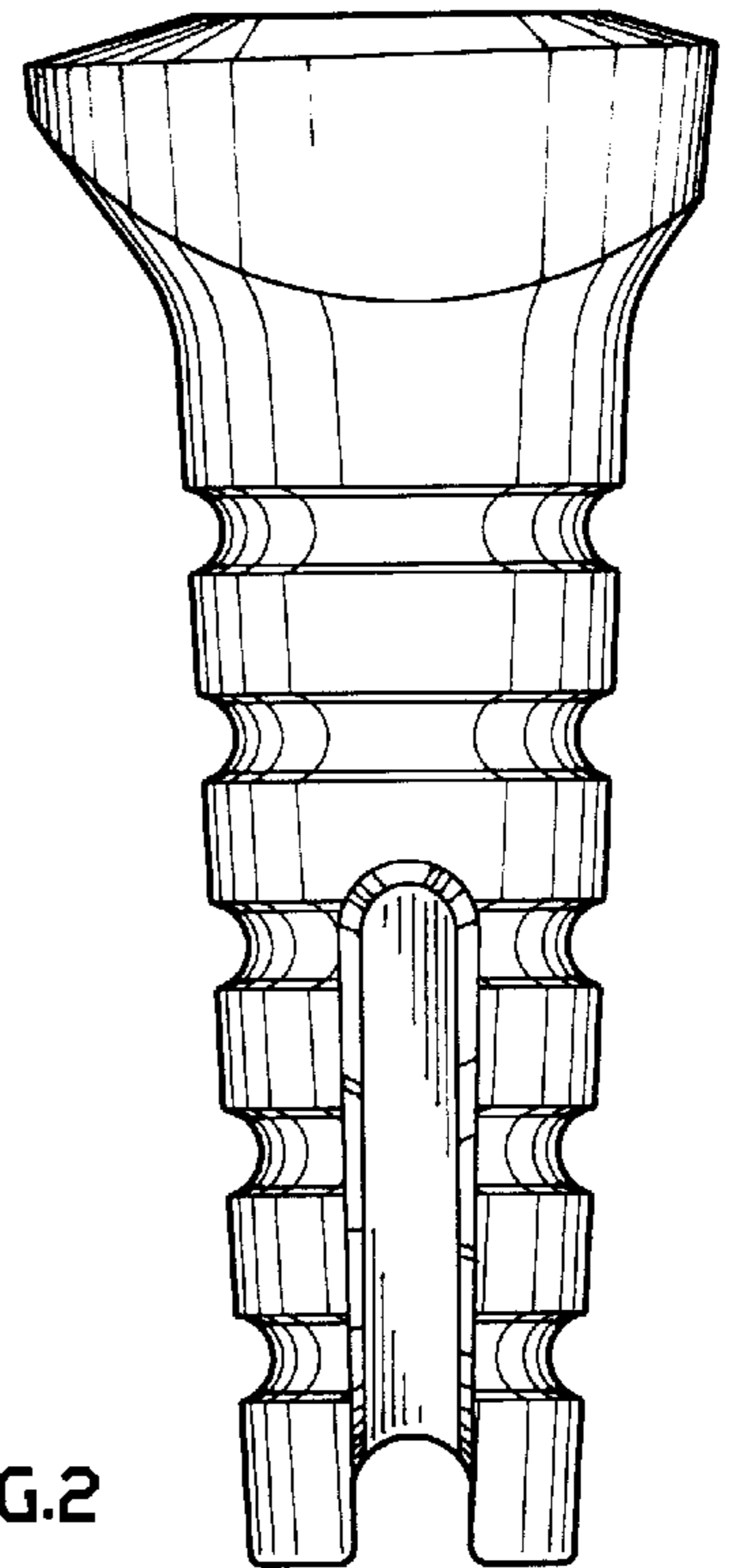
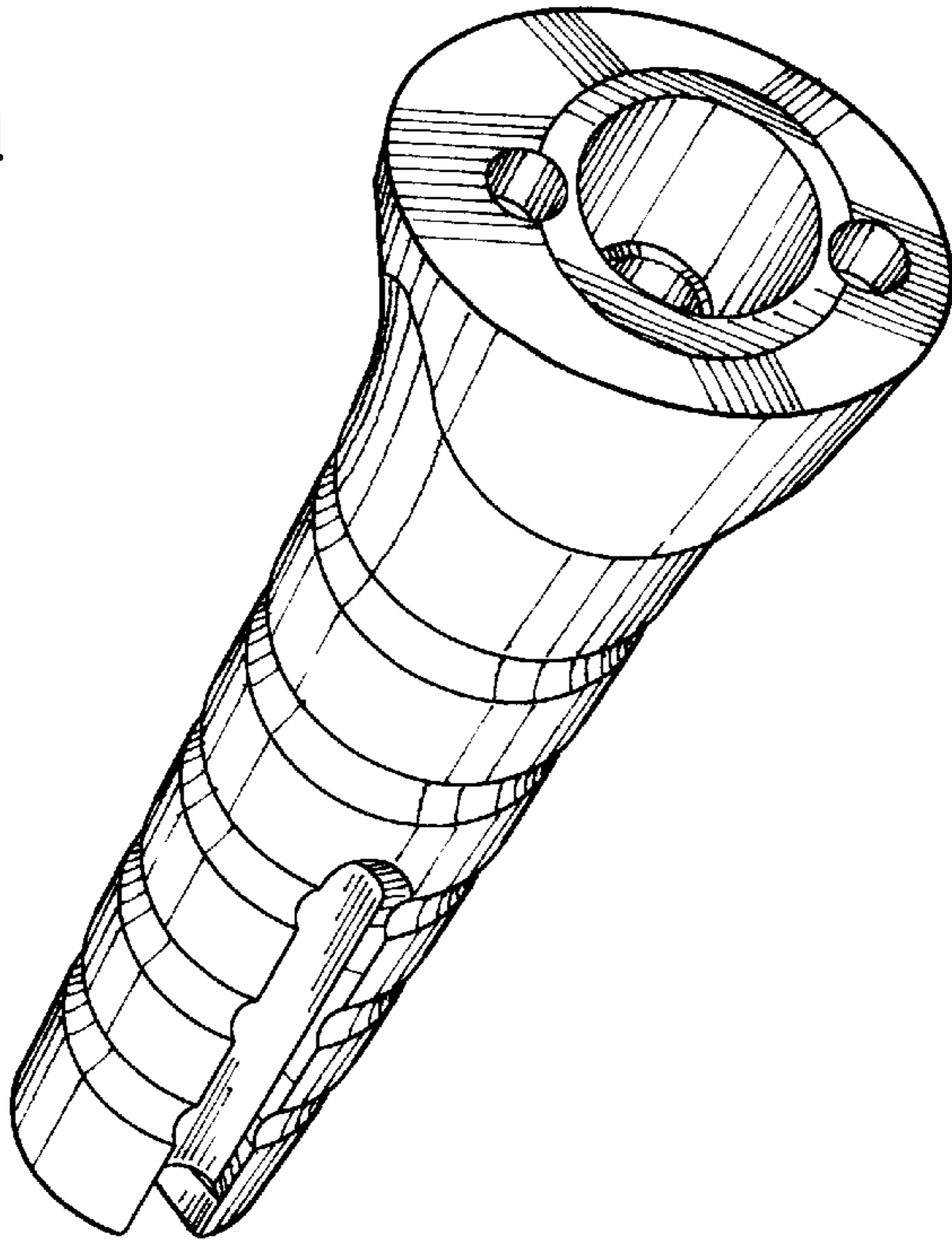


FIG.2

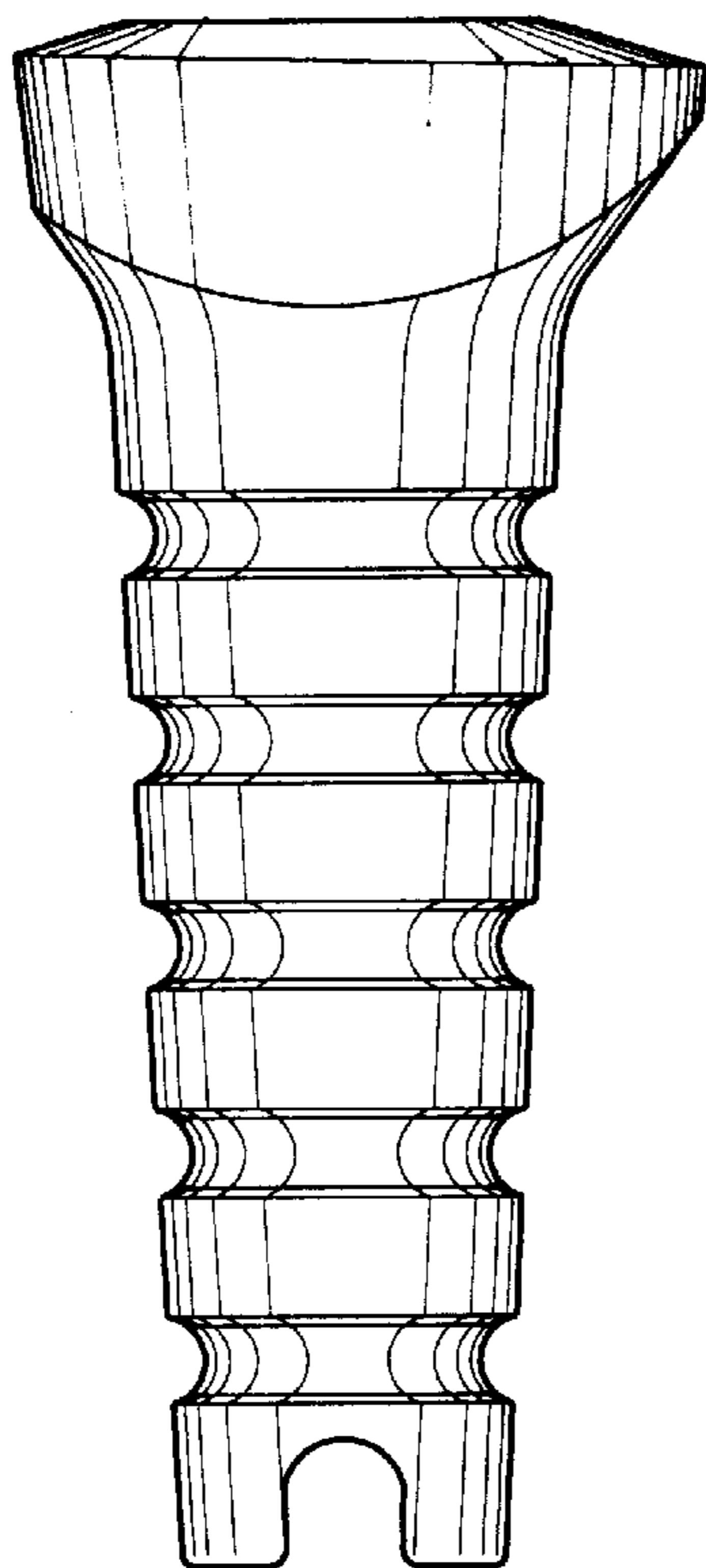


FIG.3

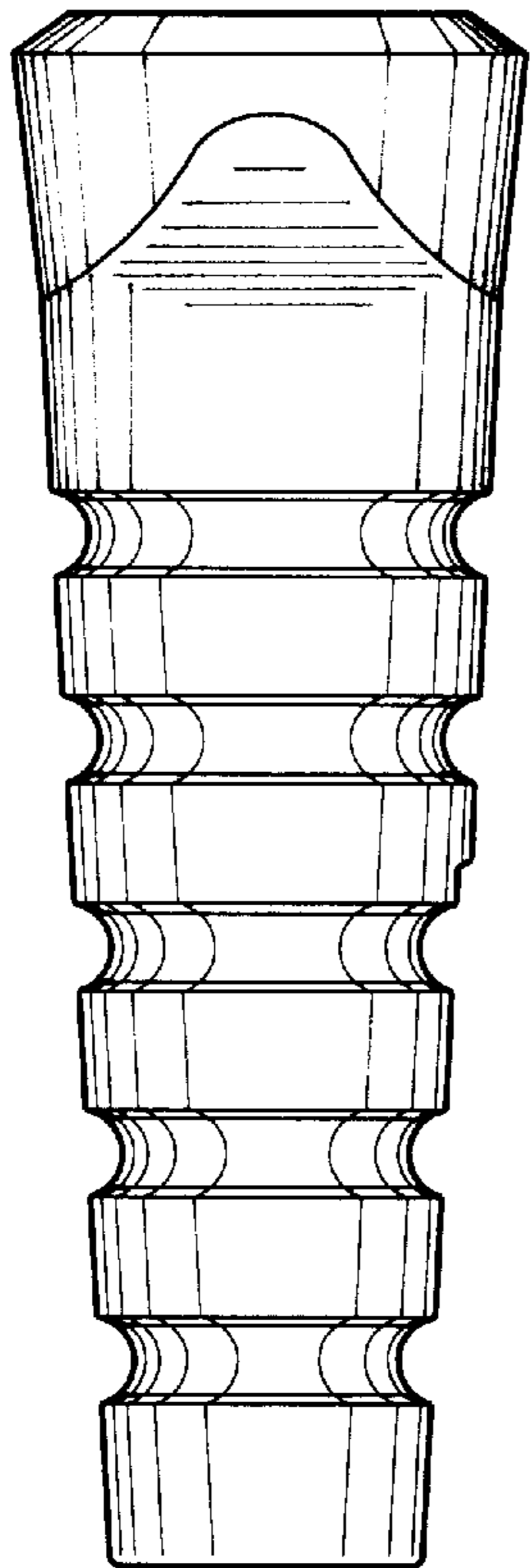


FIG. 4

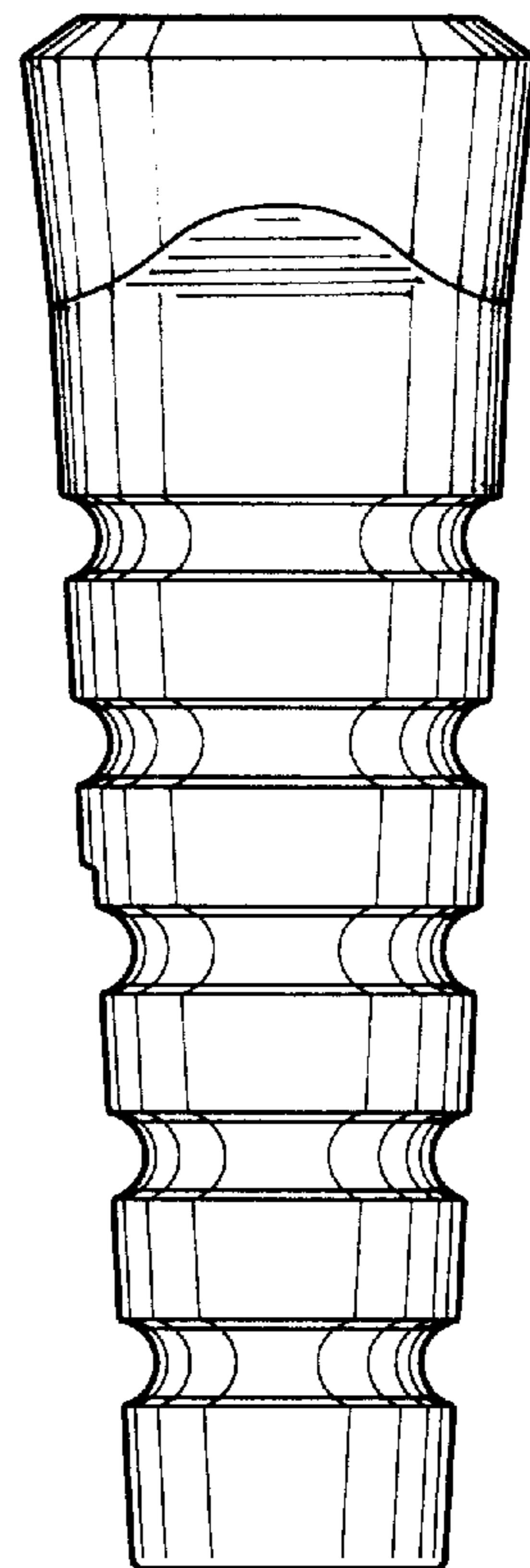


FIG. 5

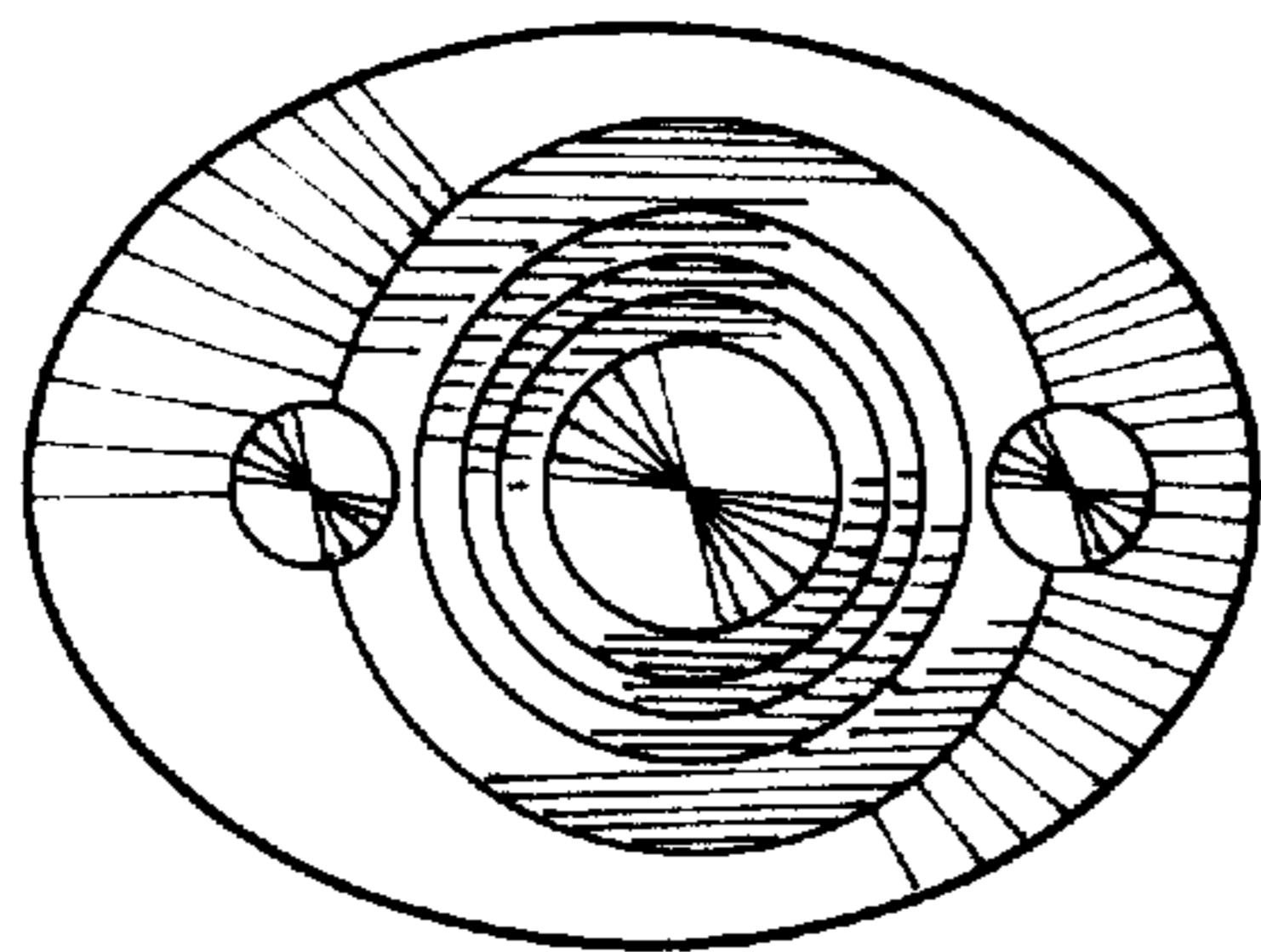


FIG. 6

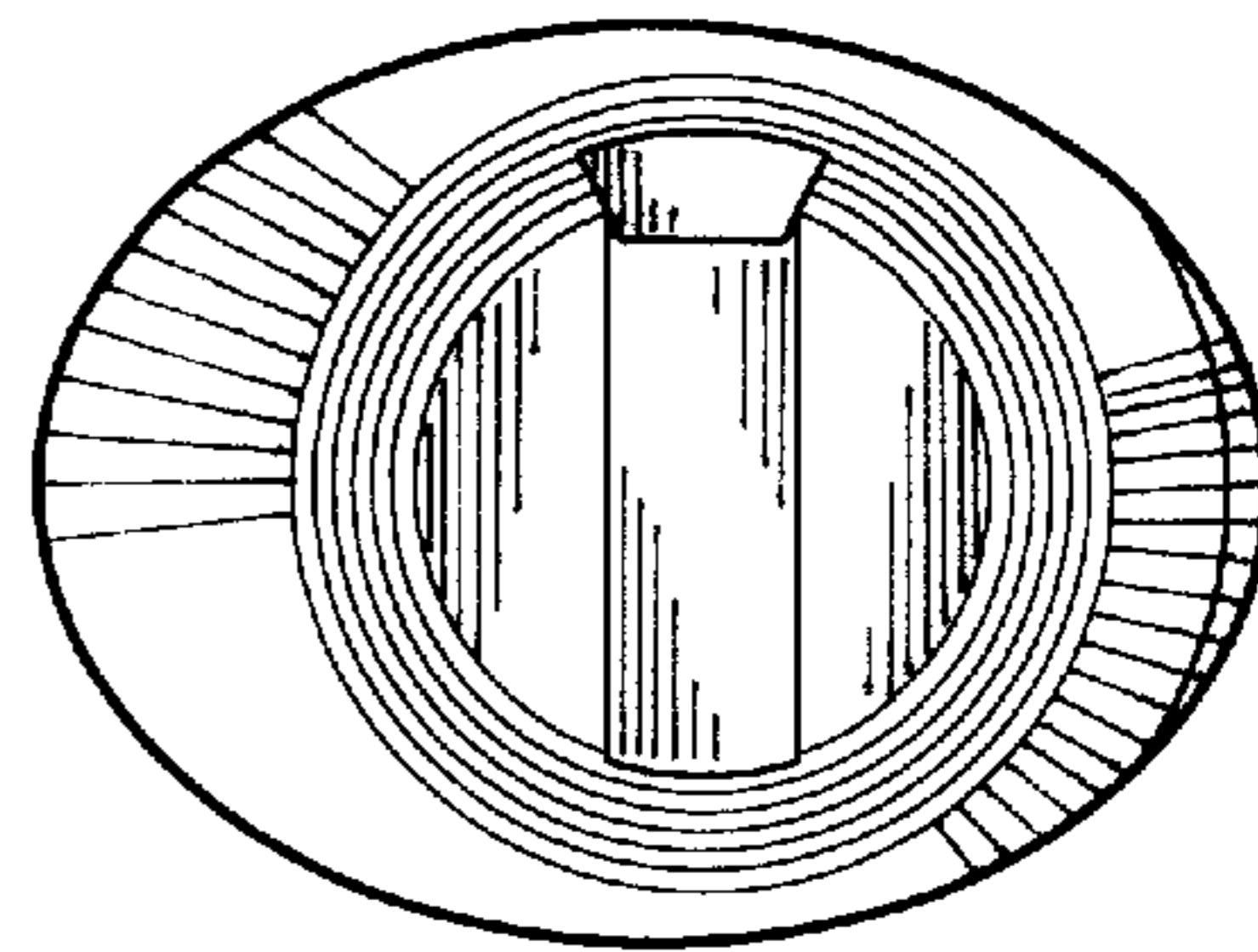


FIG. 7

FIG.8

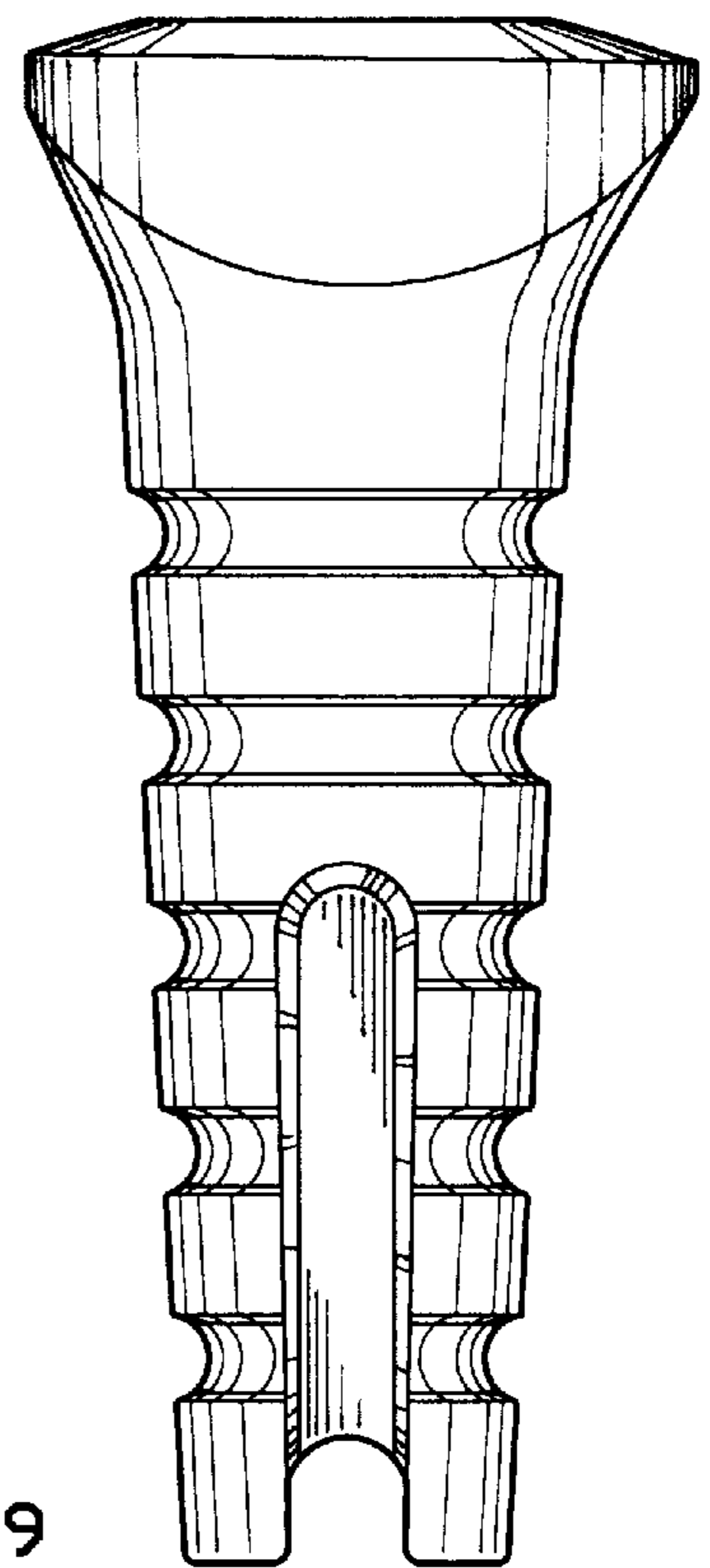
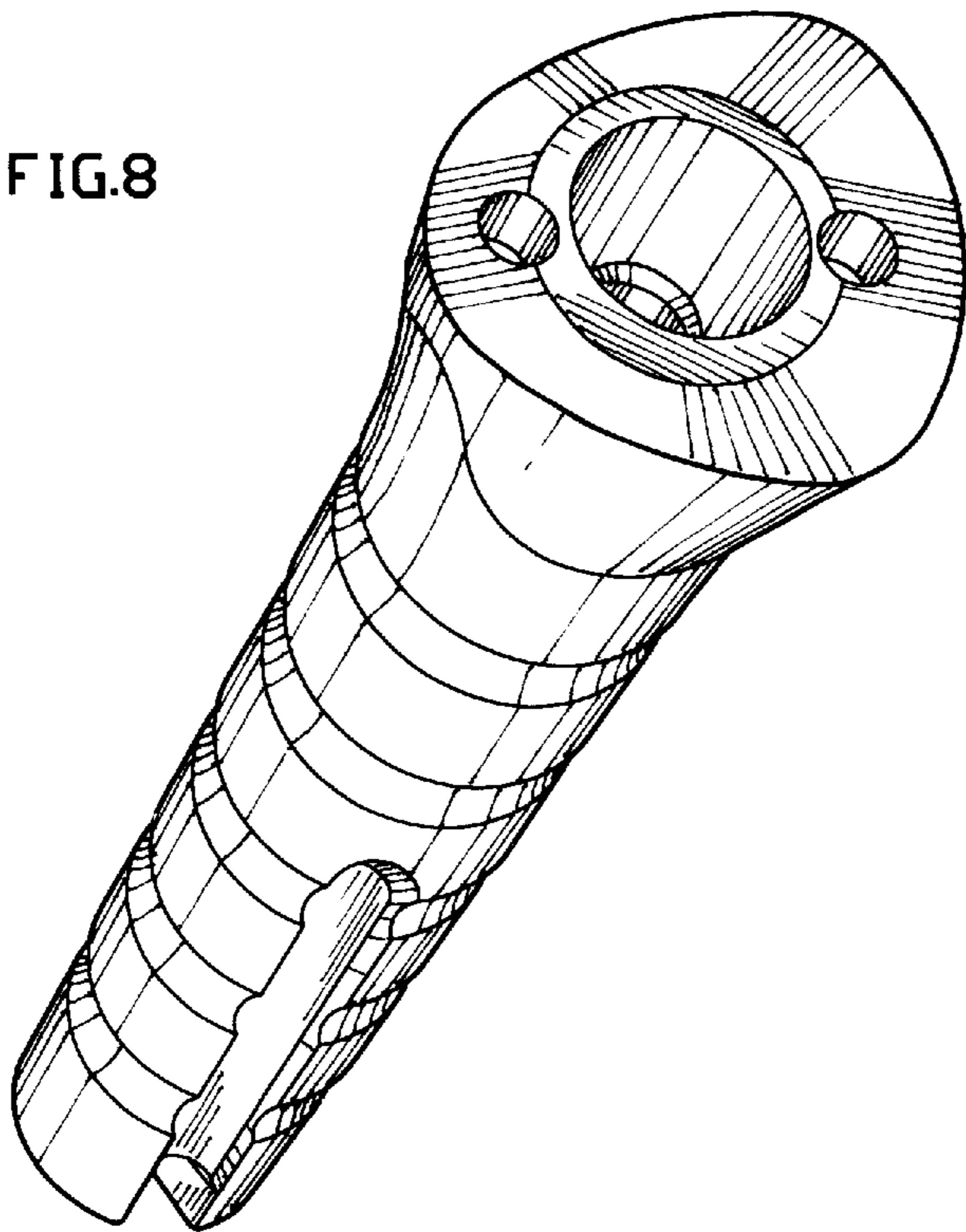


FIG.9

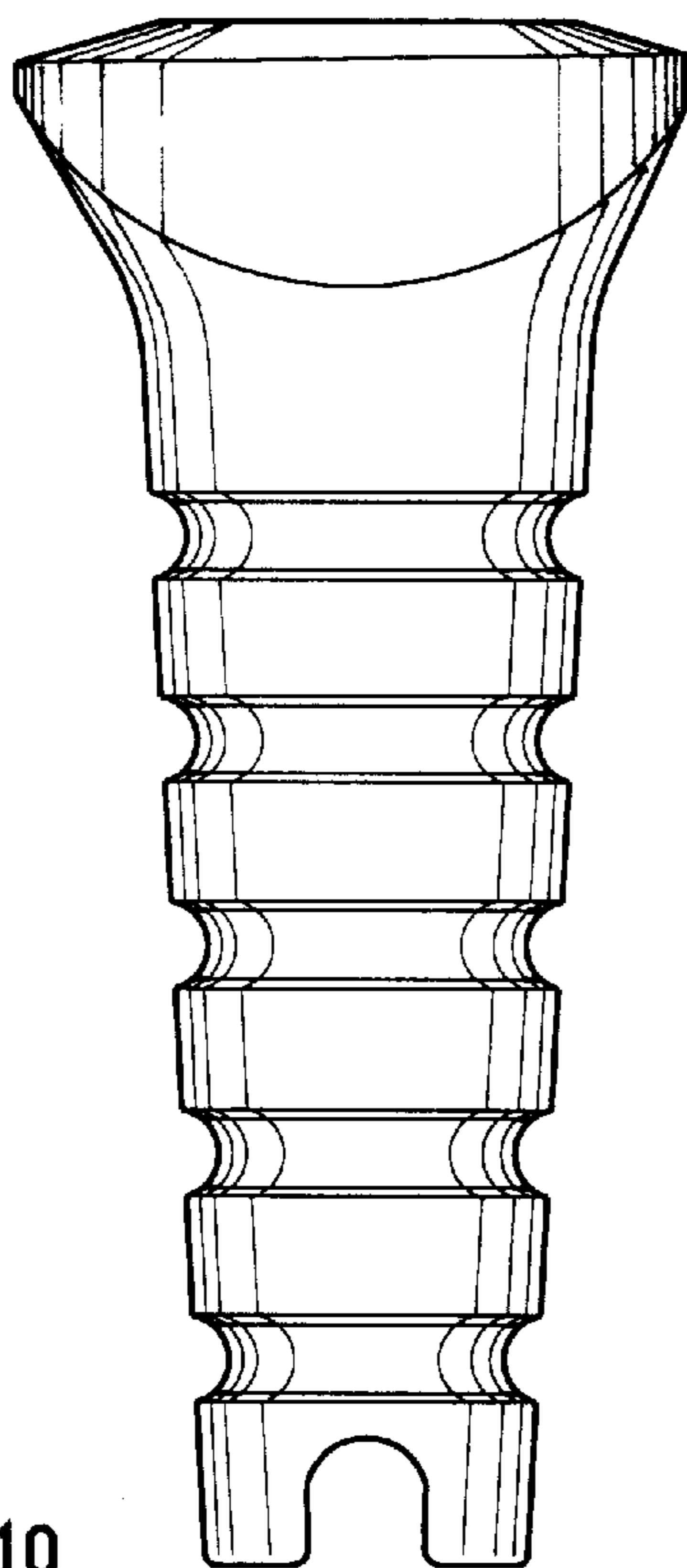


FIG.10

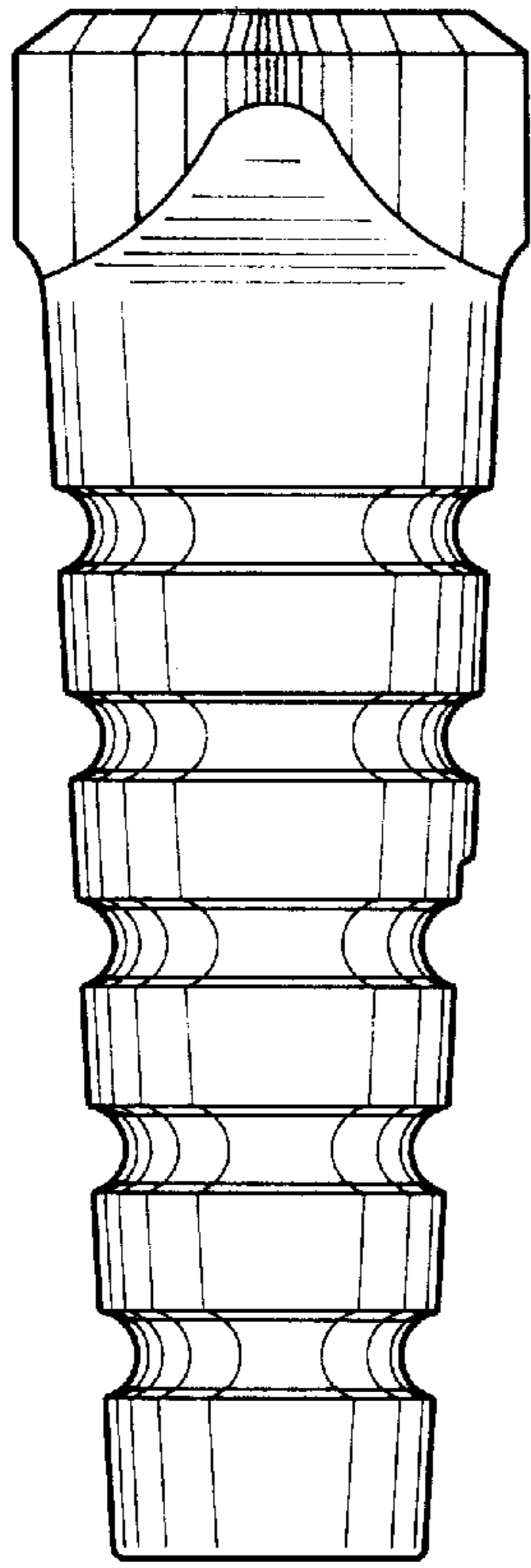


FIG.11

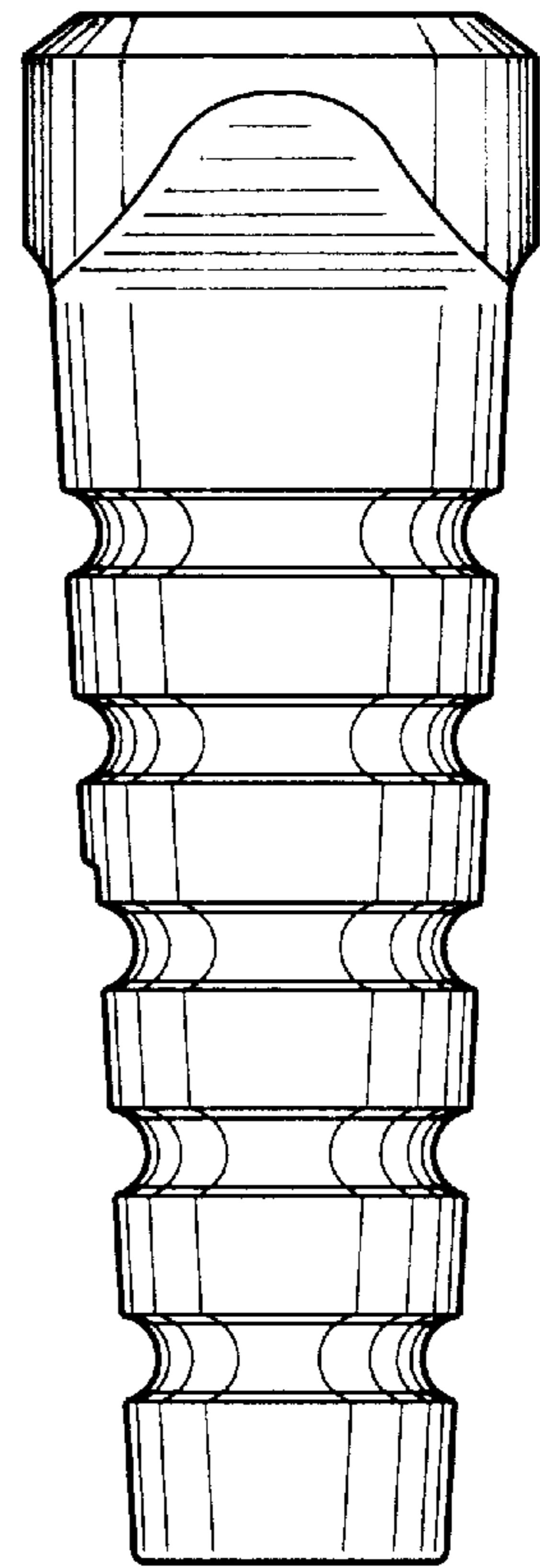


FIG.12

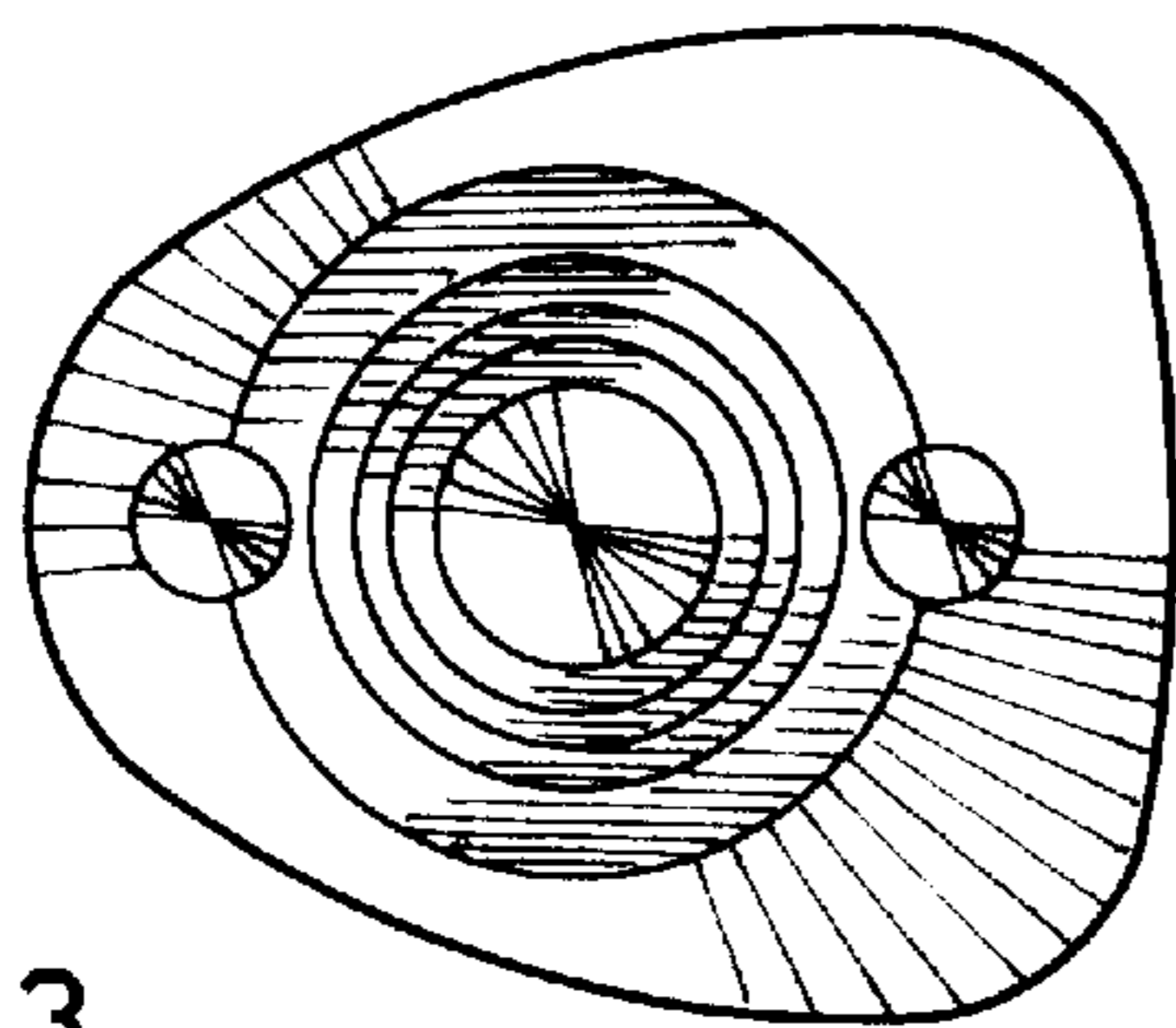


FIG.13

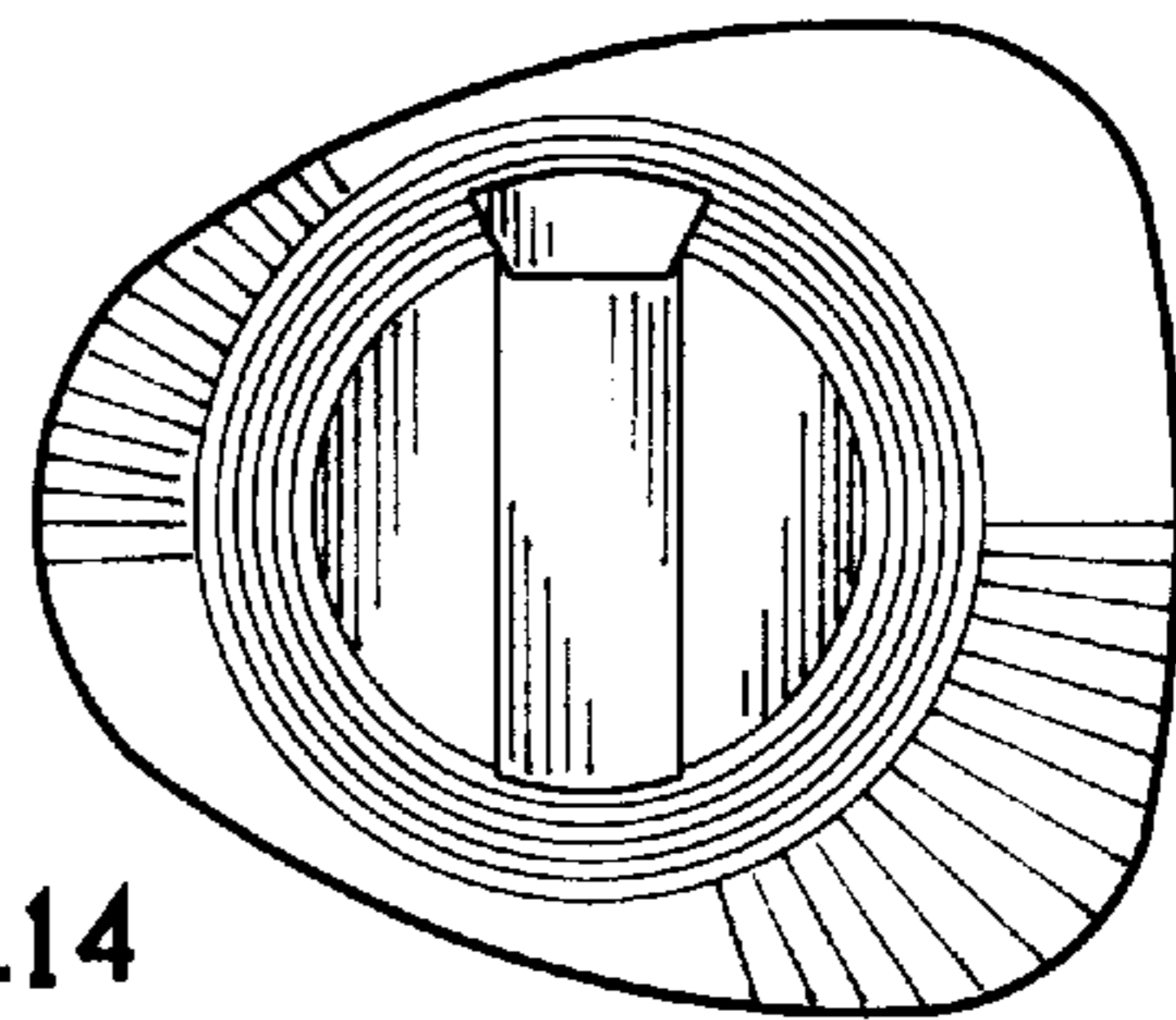


FIG.14