



US00D401692S

United States Patent [19] Chambers

[11] **Patent Number: Des. 401,692**

[45] **Date of Patent: **Nov. 24, 1998**

[54] **SUTURE PACKAGE**

[75] Inventor: **Elizabeth A. Chambers**, Danbury, Conn.

[73] Assignee: **Tyco Group S.A.R.L.**, Luxembourg

[**] Term: **14 Years**

[21] Appl. No.: **68,706**

[22] Filed: **Mar. 25, 1997**

Related U.S. Application Data

[62] Division of Ser. No. 30,424, Oct. 28, 1994, Pat. No. 8,382, 960.

[51] **LOC (6) Cl.** **24-02**

[52] **U.S. Cl.** **D24/145; D9/337**

[58] **Field of Search** **D24/145; D9/337, D9/303; 206/63.3, 439; D3/203**

[56] **References Cited**

U.S. PATENT DOCUMENTS

D. 268,811	5/1983	Black	D9/337	X
D. 270,301	8/1983	Dafoe et al.	D3/203	
505,222	9/1893	Hoff	D3/203	X

2,617,523	11/1952	Zoller	206/63.3
4,135,623	1/1979	Thyer	206/63.3
4,268,811	5/1981	Blache	9/337
4,391,365	7/1983	Batchdor	206/63.3
4,896,767	1/1990	Pinheim	206/63.3
5,050,735	9/1991	Levy	206/363 X
5,101,968	4/1992	Henderson et al.	206/63.3
5,127,518	7/1992	Holzwarth et al.	206/63.3
5,199,561	4/1993	Roshdy et al.	206/63.3
5,335,783	8/1994	Sinn	206/63.3

Primary Examiner—Pamela Burgess
Attorney, Agent, or Firm—Rita D. Vacca; Montgomery W. Smith

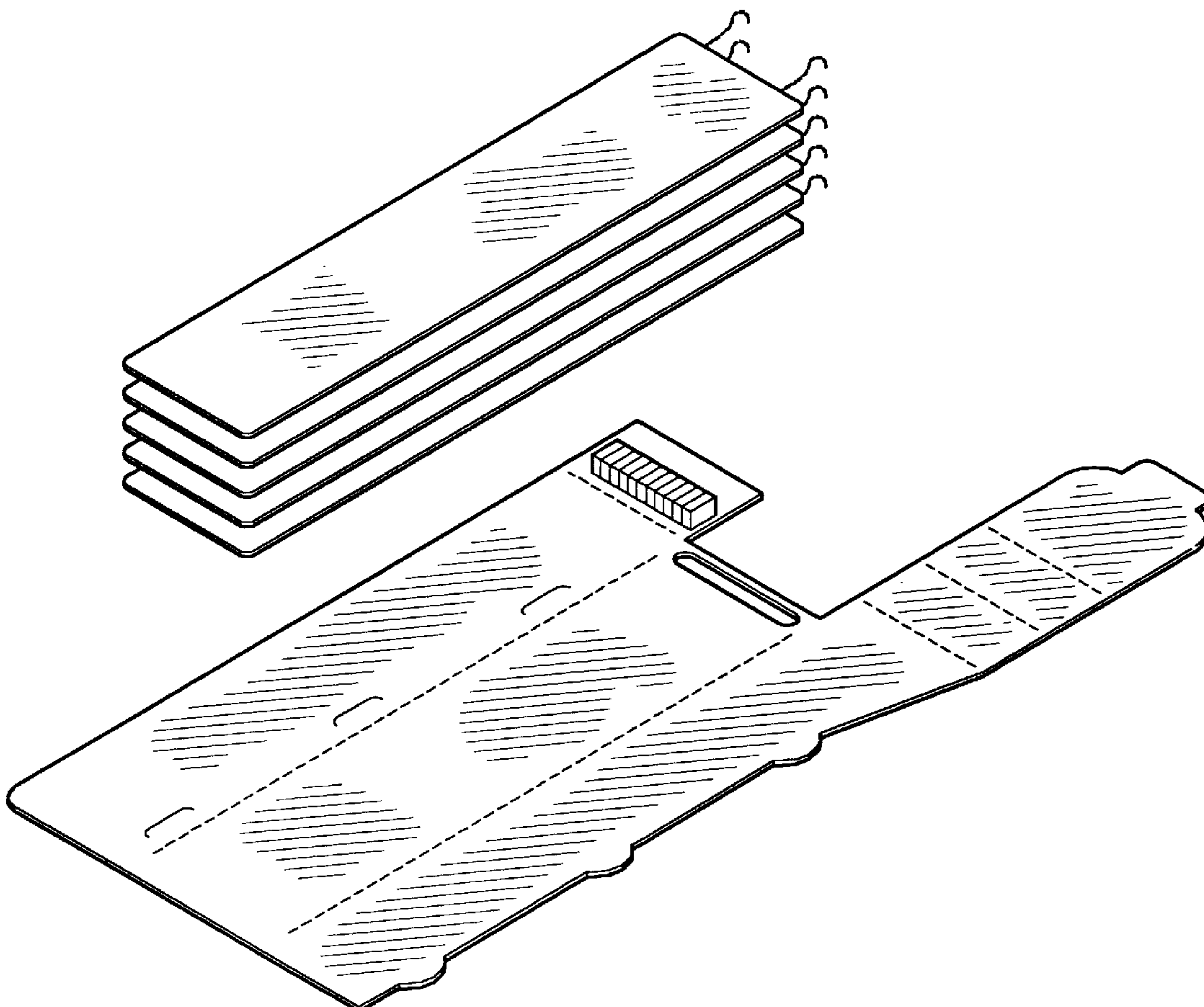
[57] **CLAIM**

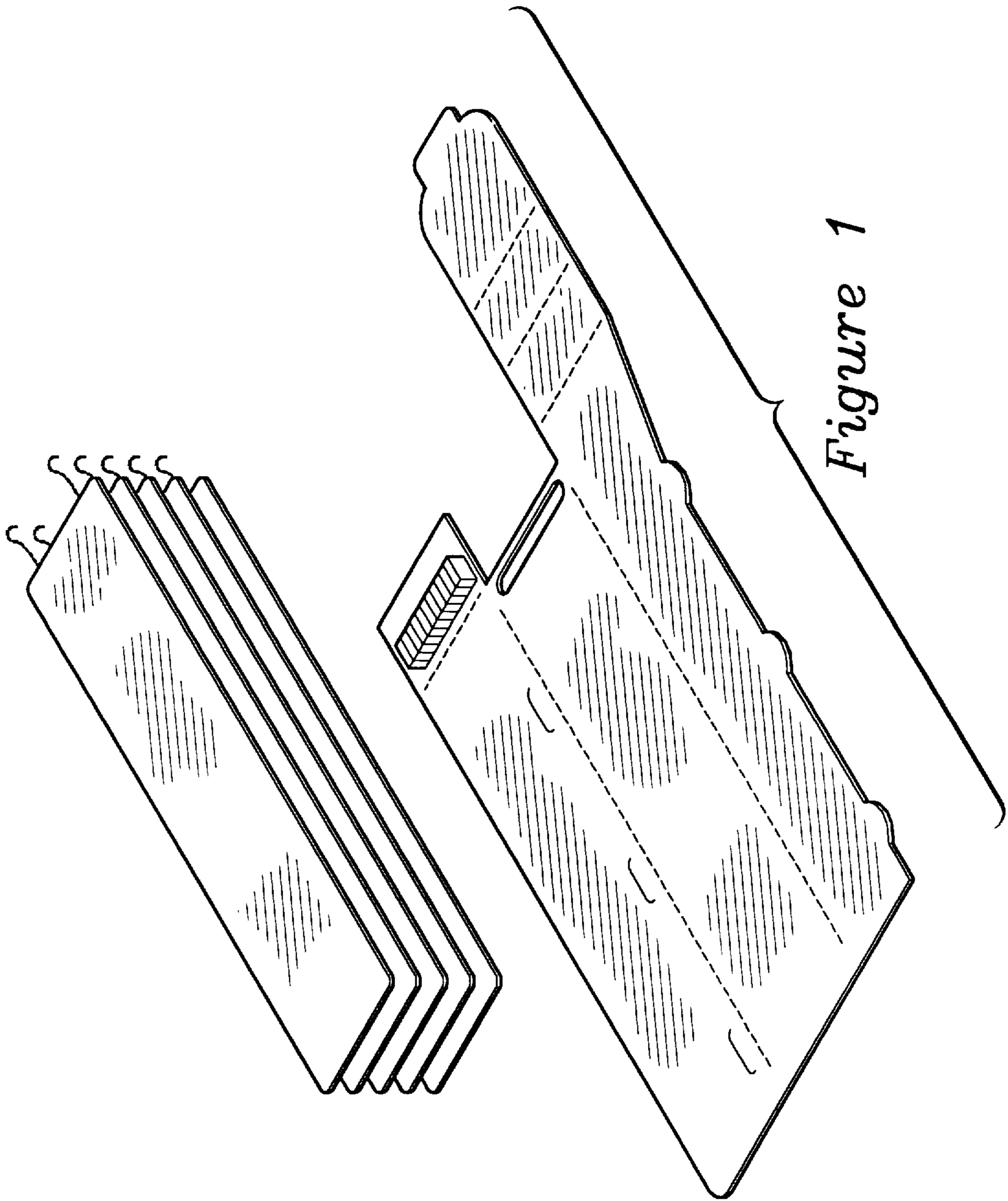
The ornamental design for a suture package, as shown and described.

DESCRIPTION

FIG. 1 is a front perspective view of a suture package showing my new design, shown in an opened position; FIG. 2 is a front perspective view thereof, in a fully closed position; and, FIG. 3 is a rear perspective view thereof, in a fully closed position.

1 Claim, 2 Drawing Sheets





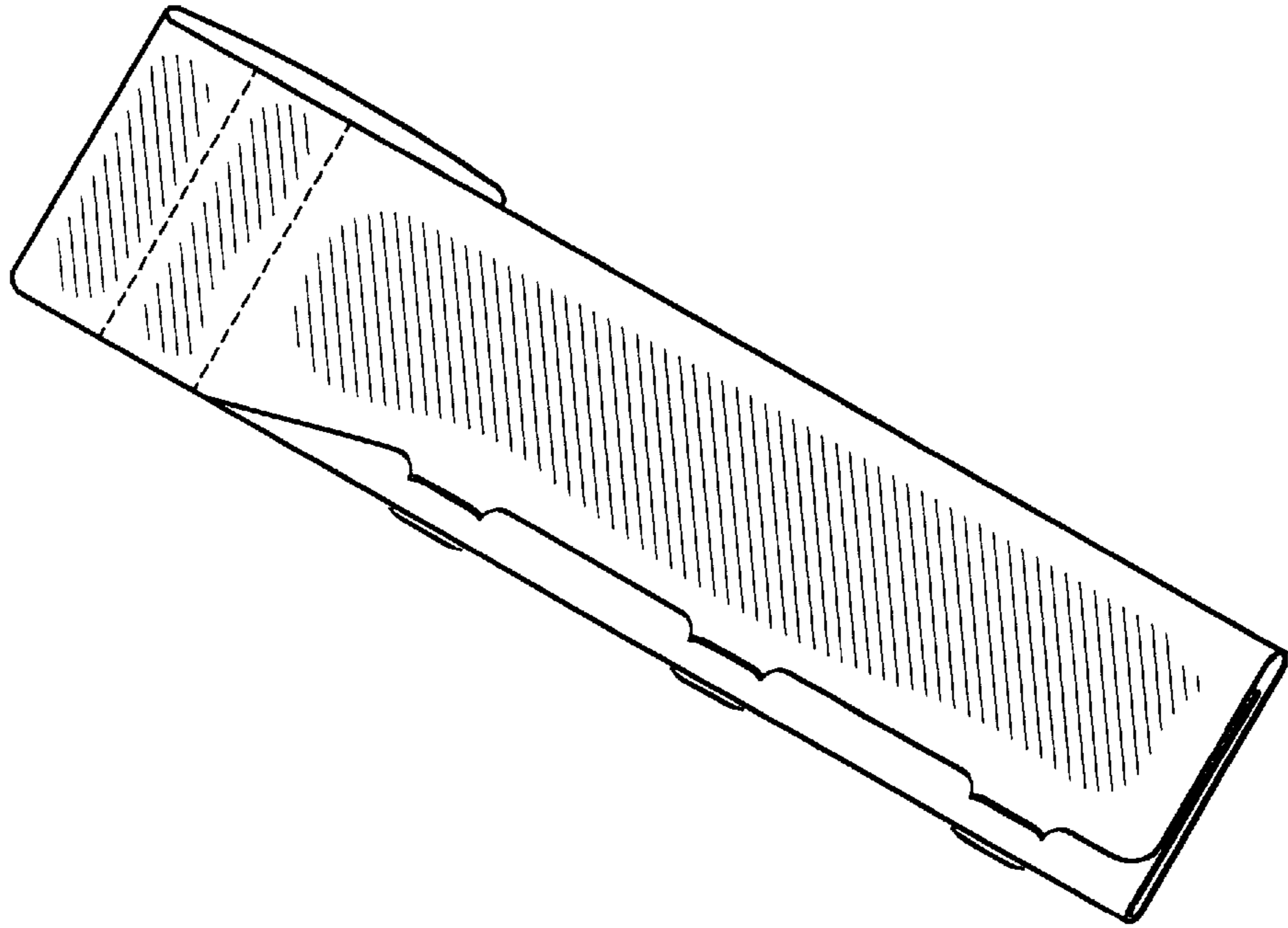


Figure 3

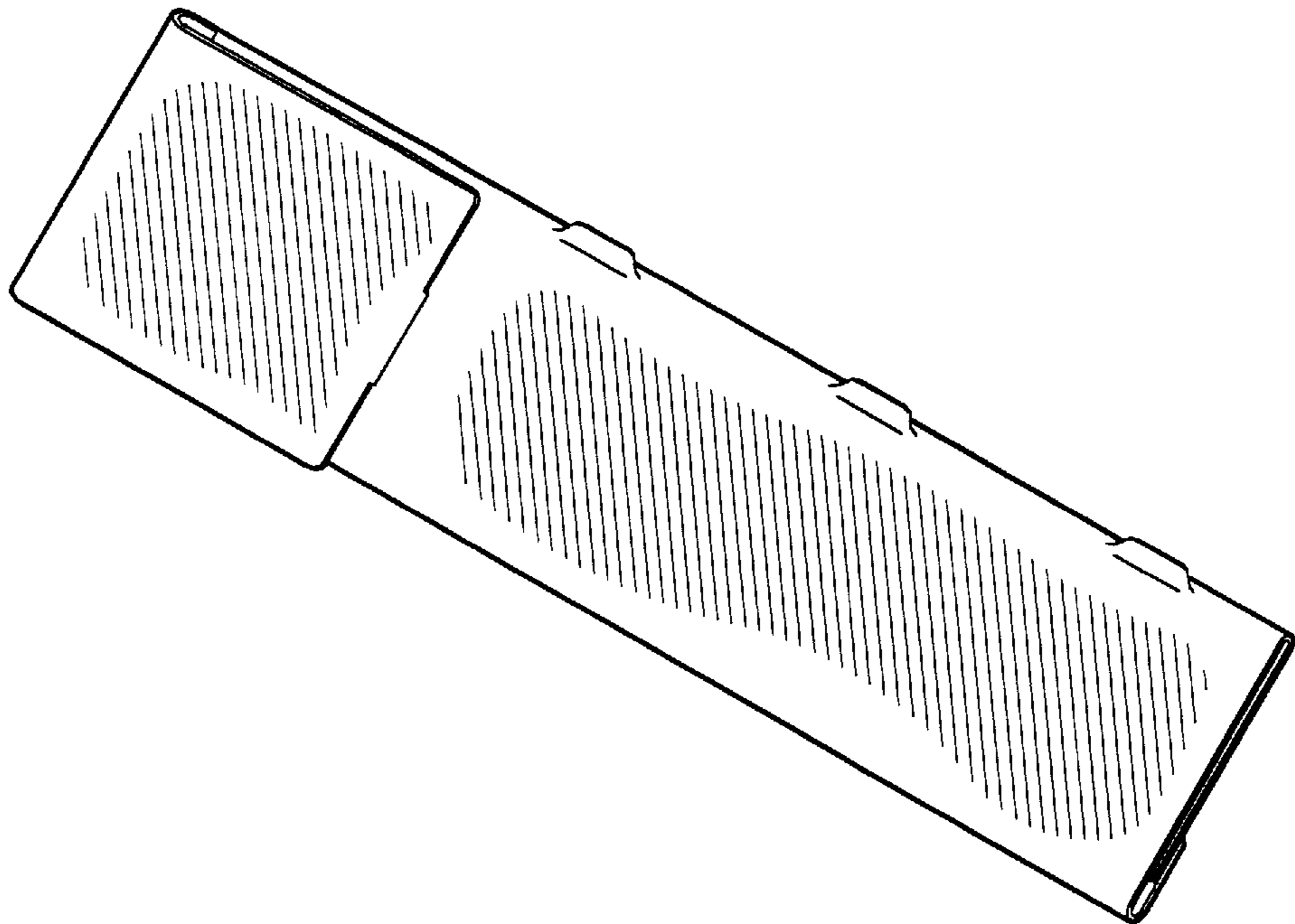


Figure 2