



US00D401691S

United States Patent [19]

Koros et al.

[11] **Patent Number: Des. 401,691**

[45] **Date of Patent: **Nov. 24, 1998**

[54] **SURGICAL INSTRUMENT USED IN BACK SURGERY**

[76] Inventors: **Tibor Koros; Gabriel Koros**, both of 610 Flinn Ave., Moorpark, Calif. 93021

[**] Term: **14 Years**

[21] Appl. No.: **70,518**

[22] Filed: **May 9, 1997**

[51] **LOC (6) Cl. 24-02**

[52] **U.S. Cl. D24/144**

[58] **Field of Search** D24/108, 111, D24/112, 133, 144; 128/750, 752, 217, 6, 303.14; 604/35, 34, 19, 27, 902, 250, 275, 119, 48, 73, 45, 33, 118; 606/167, 170

[56] **References Cited**

U.S. PATENT DOCUMENTS

D. 251,608 4/1979 Cawood, Jr. et al. D24/138

D. 353,886 12/1994 Bales et al. D24/108
D. 378,611 3/1997 Croley D24/144
2,200,322 5/1940 Arnesen 604/118
4,400,168 8/1983 Buechel et al. 604/48
5,230,704 7/1993 Moberg et al. 604/34
5,254,117 10/1993 Rigby et al. 606/46

Primary Examiner—Pamela Burgess
Attorney, Agent, or Firm—Richard Slehofer

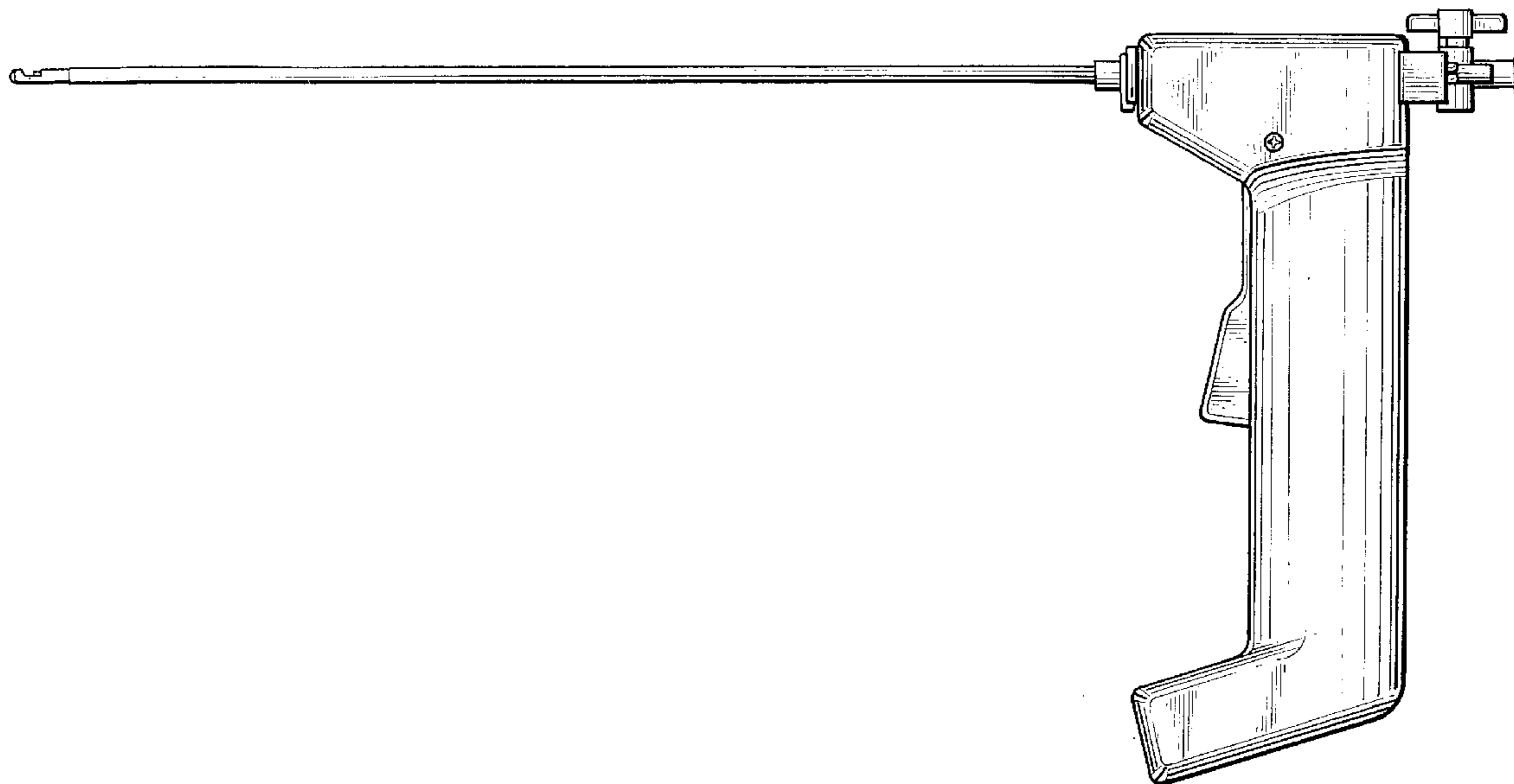
[57] **CLAIM**

The ornamental design for a surgical instrument used in back surgery, as shown and described.

DESCRIPTION

FIG. 1 is a front elevational view of a surgical instrument used in back surgery showing our new design; FIG. 2 is a right side elevational view thereof; FIG. 3 is a top plan view thereof; FIG. 4 is a bottom view thereof; FIG. 5 is a left side elevational view thereof; and, FIG. 6 is a rear elevational view thereof.

1 Claim, 2 Drawing Sheets



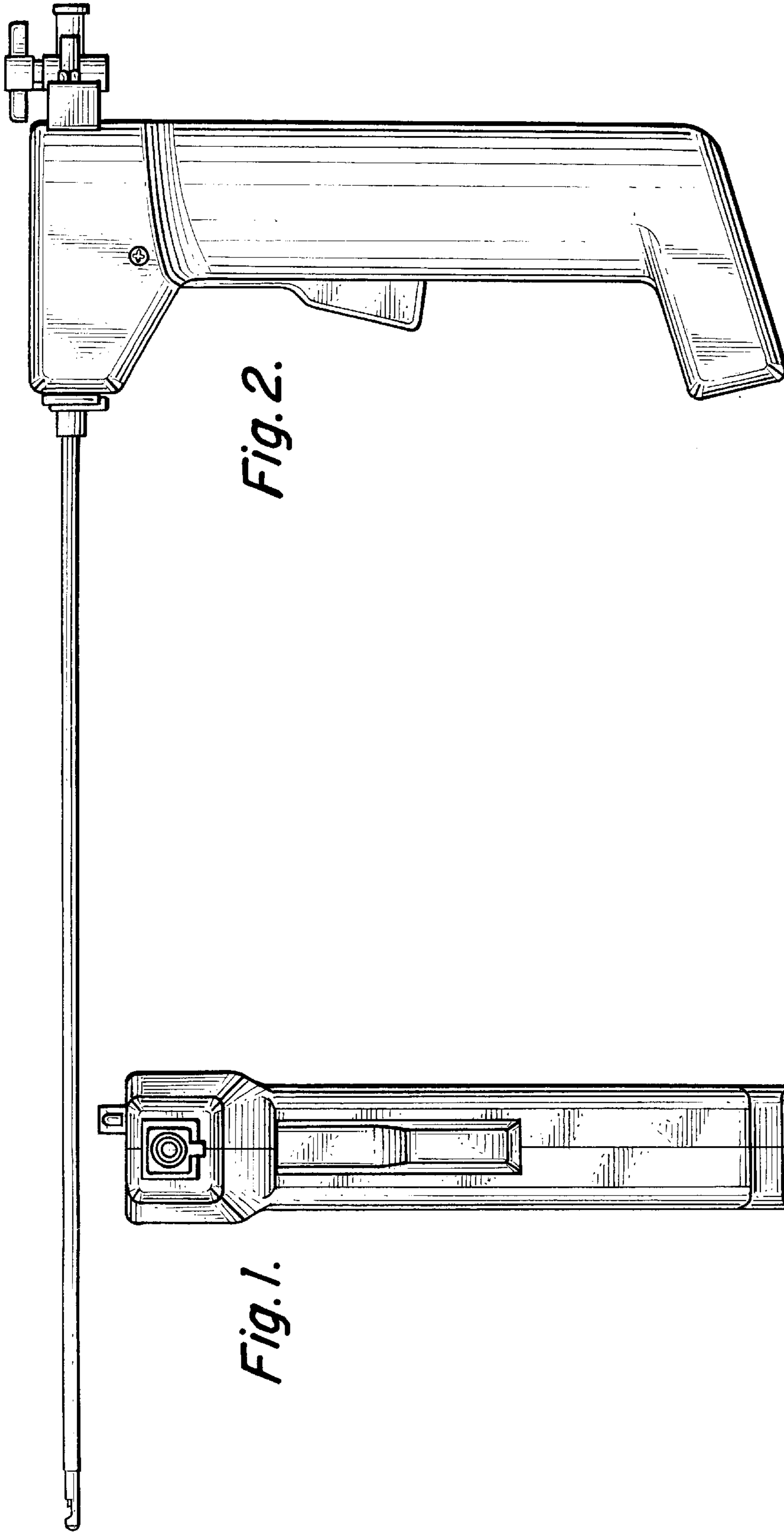


Fig. 2.

Fig. 1.

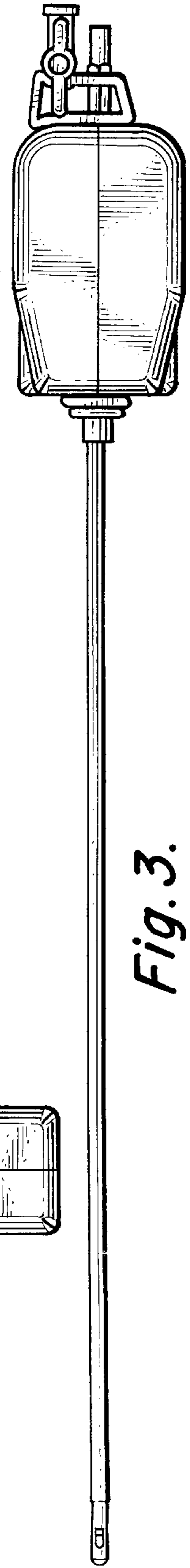


Fig. 3.

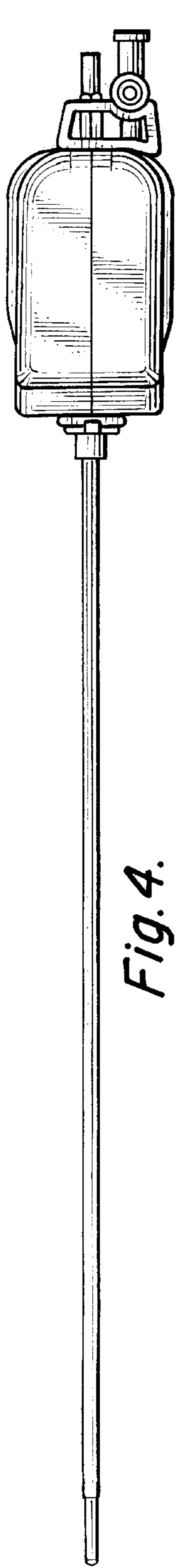


Fig. 4.

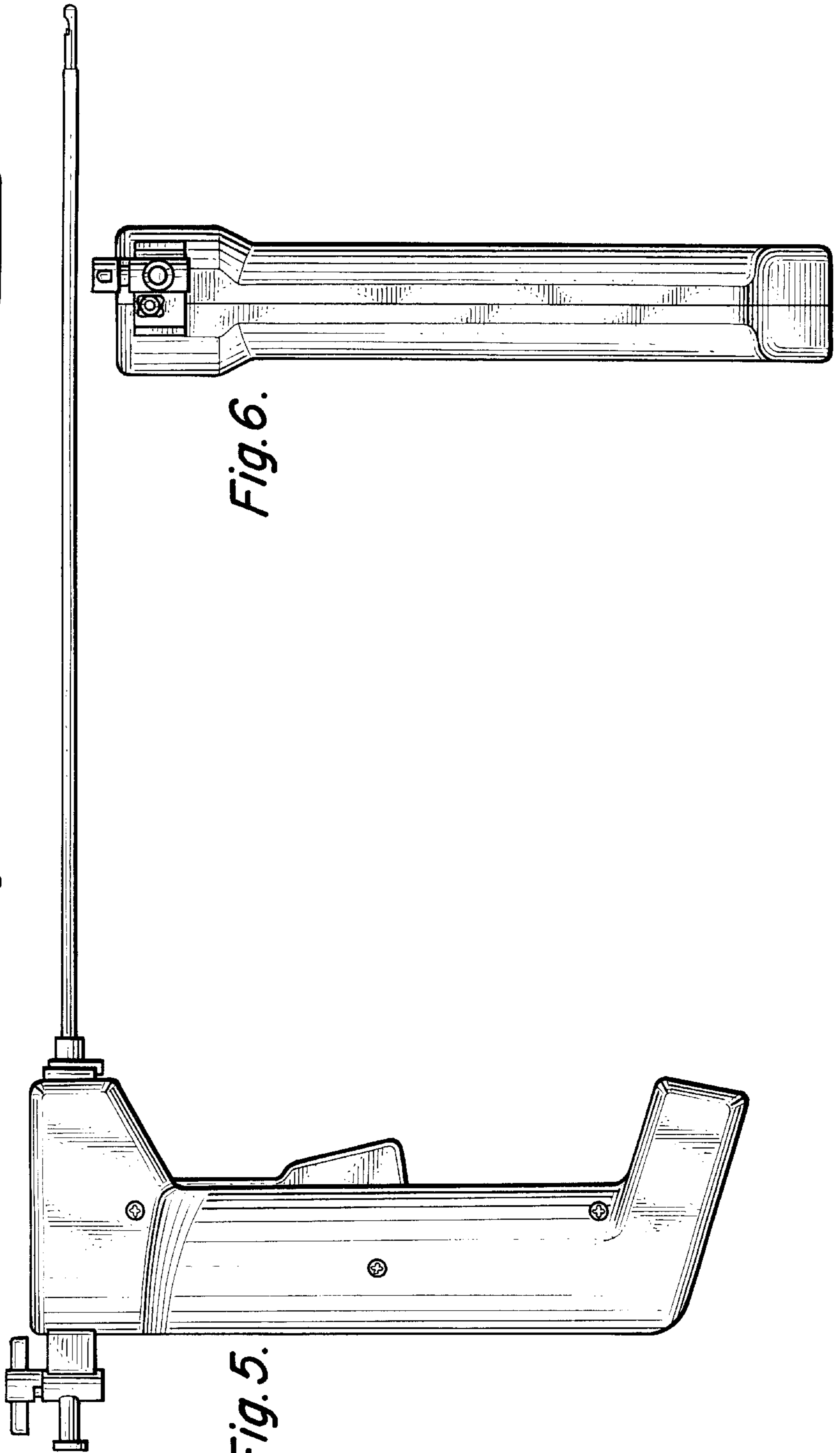


Fig. 6.

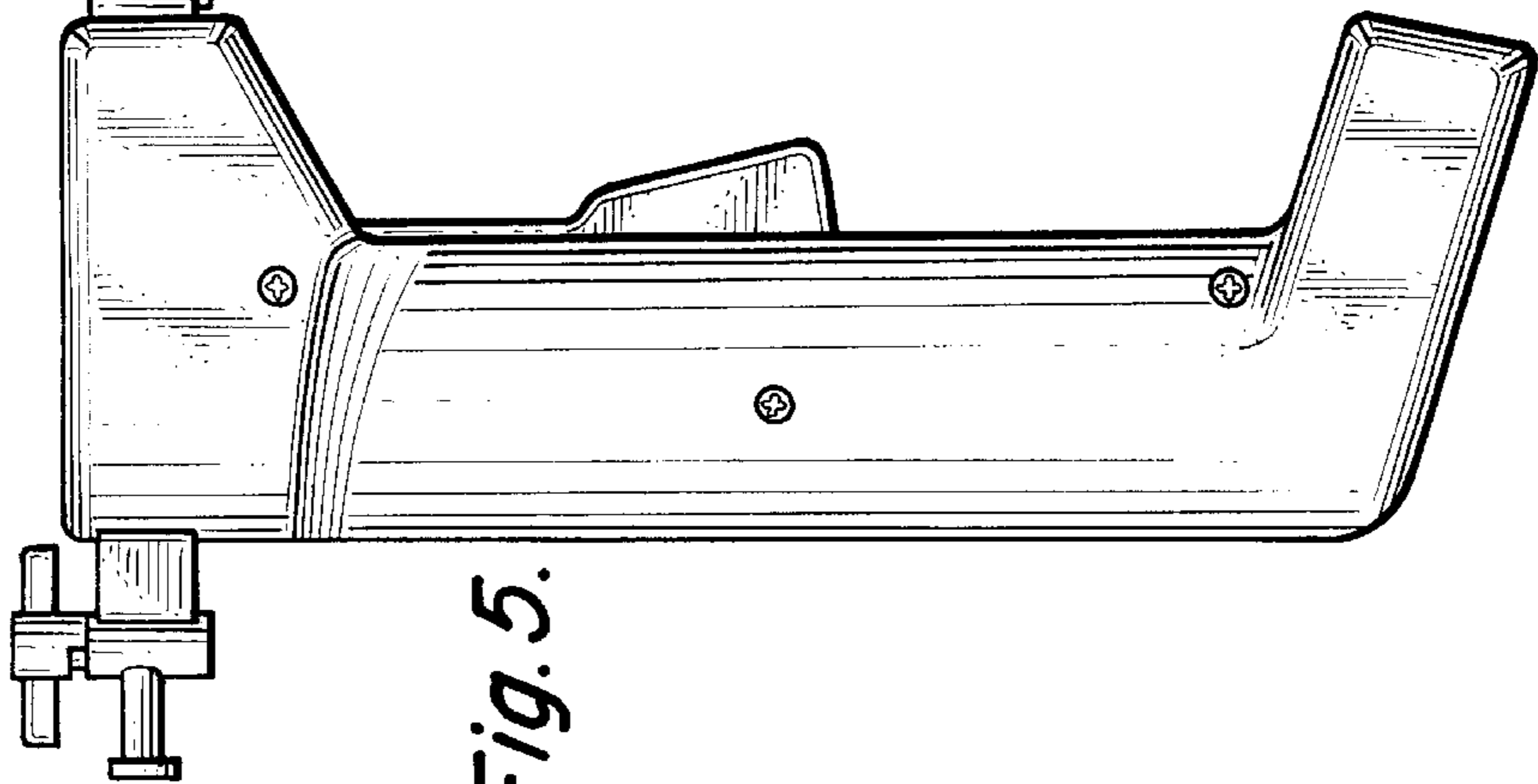


Fig. 5.