



US00D401690S

**United States Patent** [19]  
**Simm**

[11] **Patent Number: Des. 401,690**

[45] **Date of Patent: \*\*Nov. 24, 1998**

[54] **MULTIPLE HYPODERMIC NEEDLE DISPENSER**

2,985,285 5/1961 Riddle ..... 206/366  
5,160,324 11/1992 Halbach ..... 604/263  
5,502,229 3/1996 Hoff ..... D3/203

[76] Inventor: **Kendall A. Simm**, 8832 Sapphire St., Westminister, Calif. 92683

*Primary Examiner*—Louis S. Zarfaz  
*Assistant Examiner*—G. Andoll  
*Attorney, Agent, or Firm*—Howard A. Kenyon

[\*\*] Term: **14 Years**

[21] Appl. No.: **56,102**

[57] **CLAIM**

[22] Filed: **Jun. 21, 1996**

The ornamental design for a multiple hypodermic needle dispenser, as shown.

**Related U.S. Application Data**

**DESCRIPTION**

[63] Continuation-in-part of Ser. No. 6,980, Apr. 12, 1993, abandoned.

[51] **LOC (6) Cl.** ..... **24-02**

[52] **U.S. Cl.** ..... **D24/131; D24/128; D24/127; D24/130**

[58] **Field of Search** ..... D24/130, 131, D24/227, 229; D6/515, 513, 514; 604/192, 263, 193; 206/366, 365, 364, 380, 390; 220/908; 221/303, 370, 25, 281

FIG. 1 is a top, front and right side perspective view of a multiple hypodermic needle dispenser showing my new design;

FIG. 2 is a top plan view thereof;

FIG. 3 is a bottom plan view thereof;

FIG. 4 is a front elevation view thereof;

FIG. 5 is a rear elevation view thereof;

FIG. 6 is a left side elevation view thereof; and,

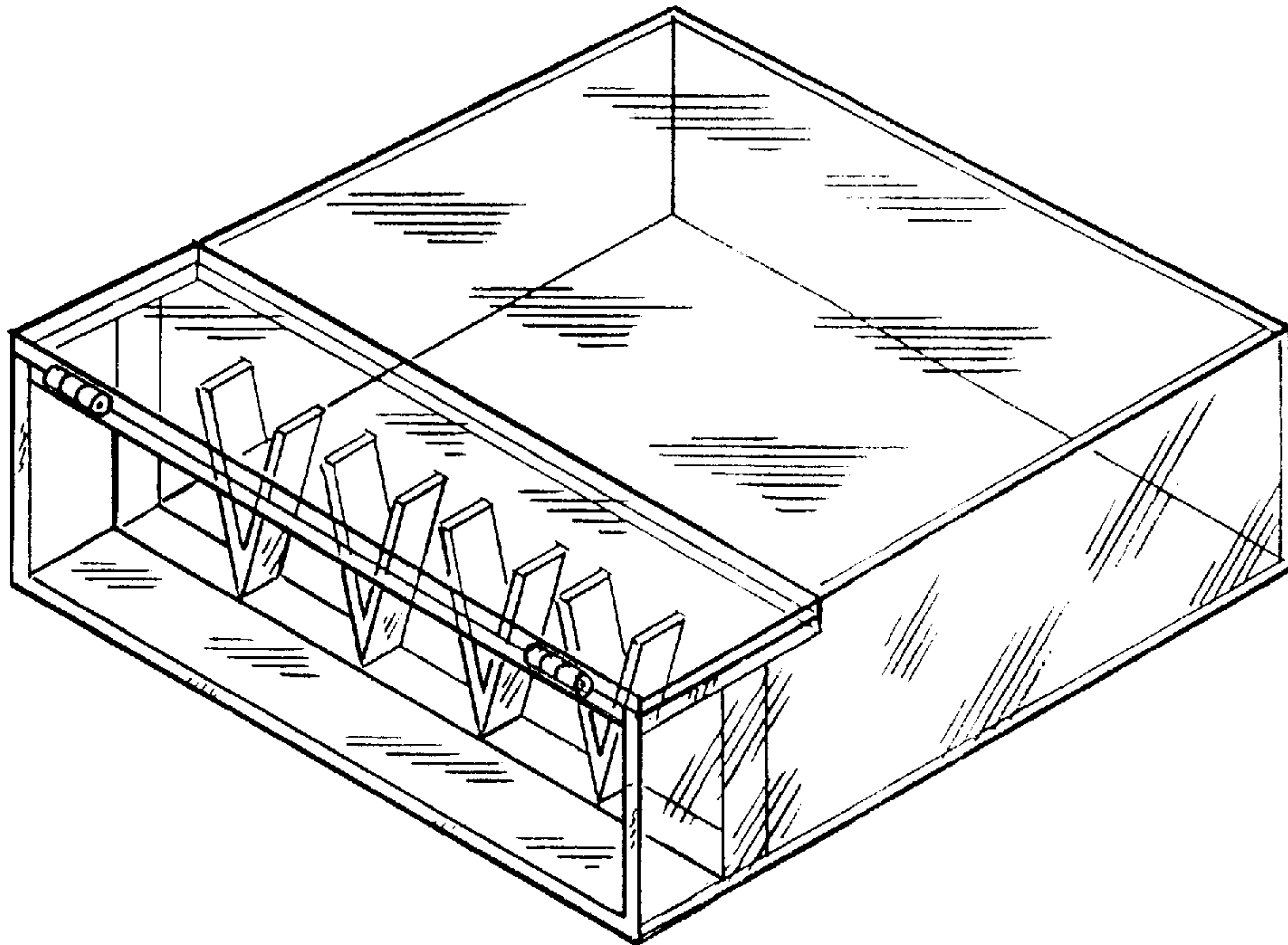
FIG. 7 is a right side elevation view thereof.

[56] **References Cited**

**U.S. PATENT DOCUMENTS**

D. 265,125 6/1982 Jordon ..... D24/131

**1 Claim, 1 Drawing Sheet**



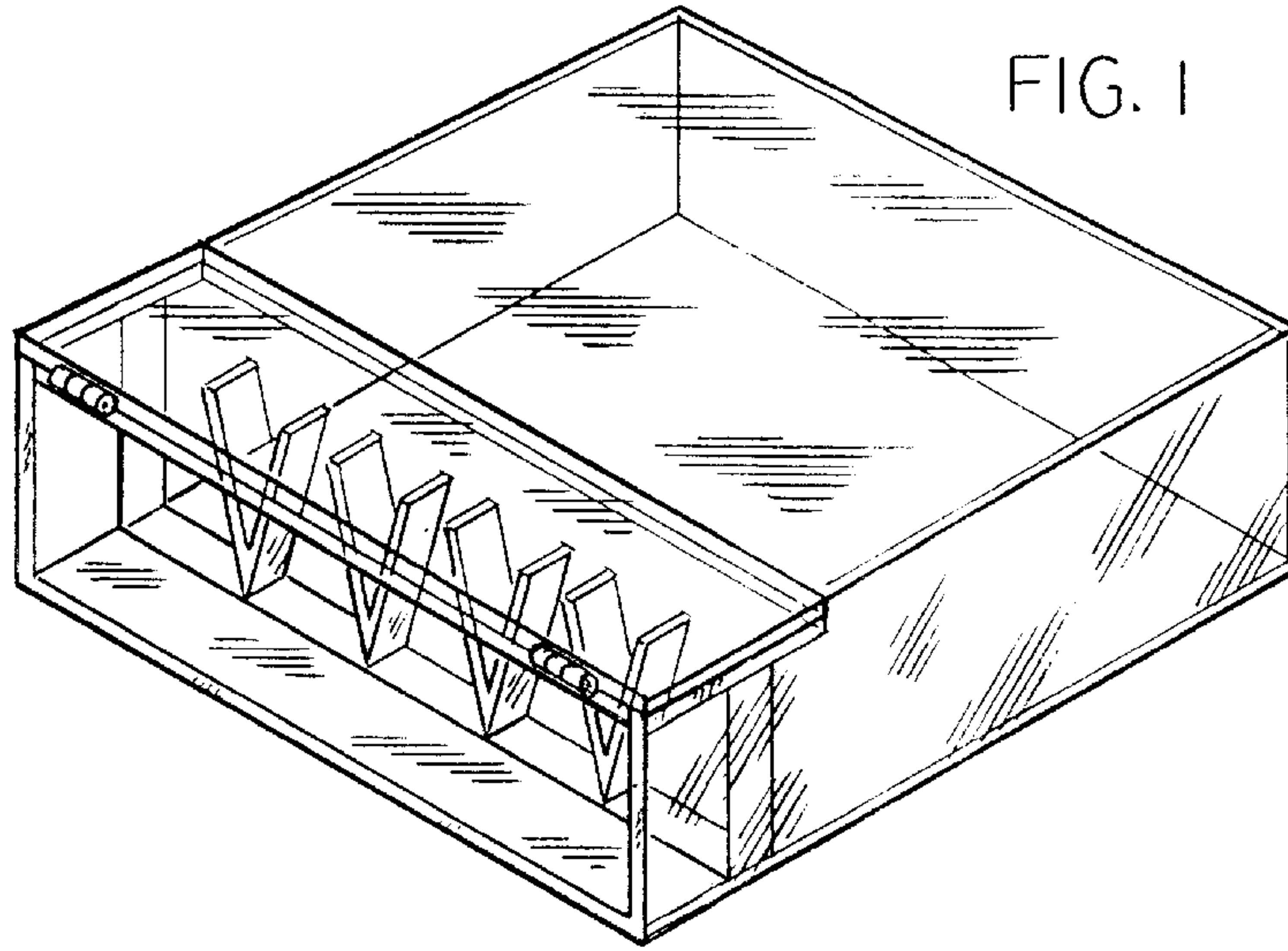


FIG. 2

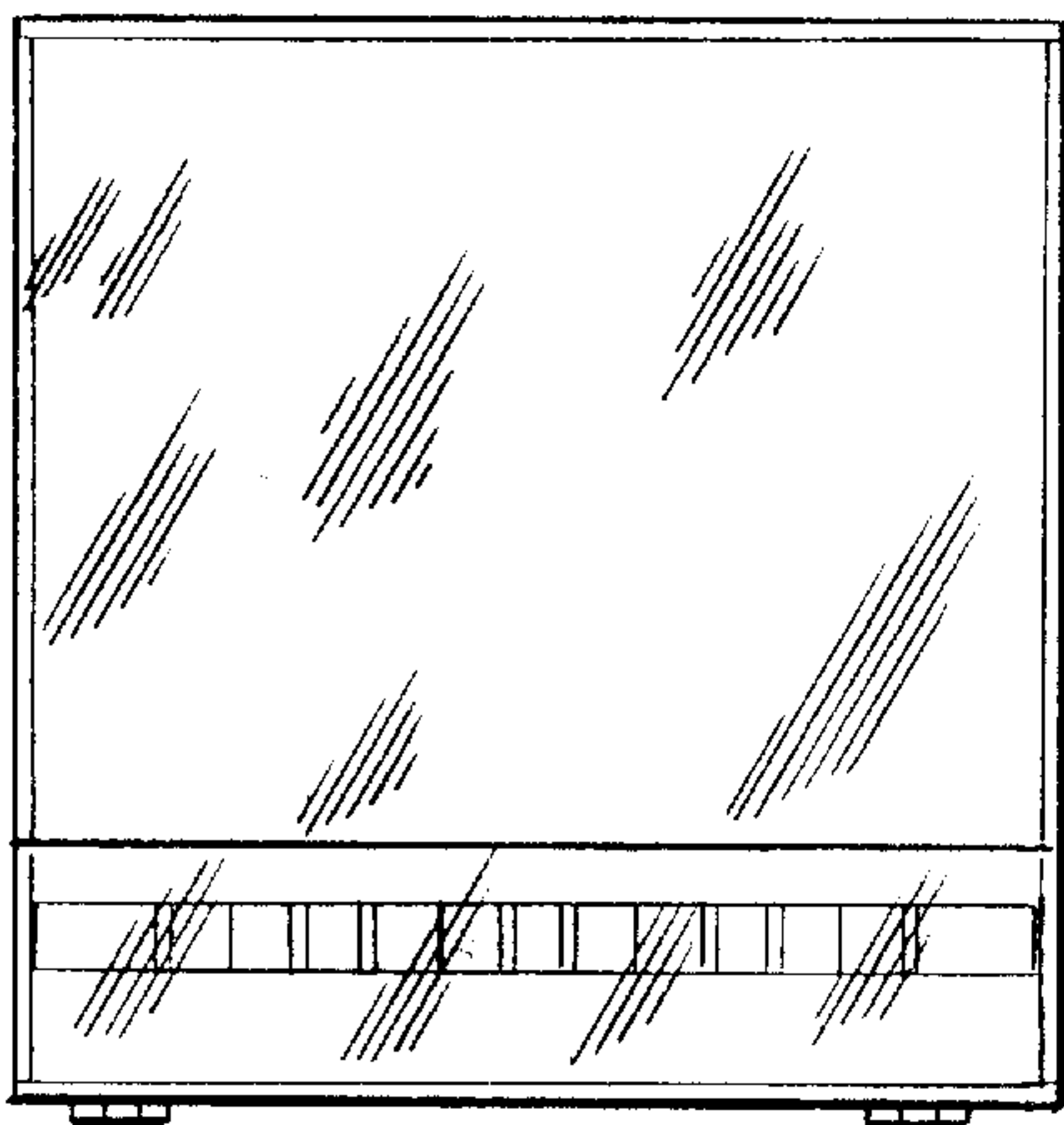


FIG. 3

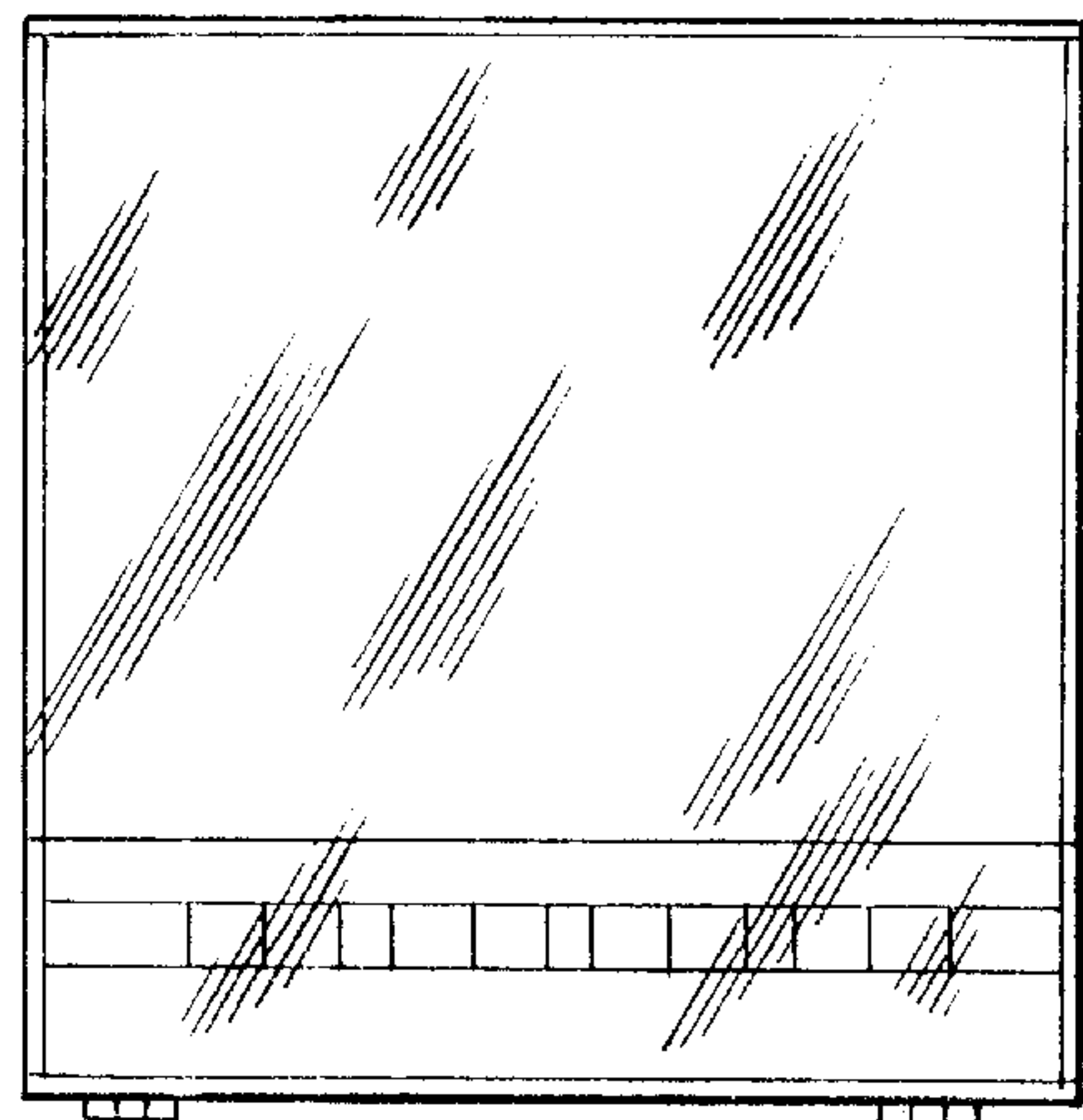


FIG. 4

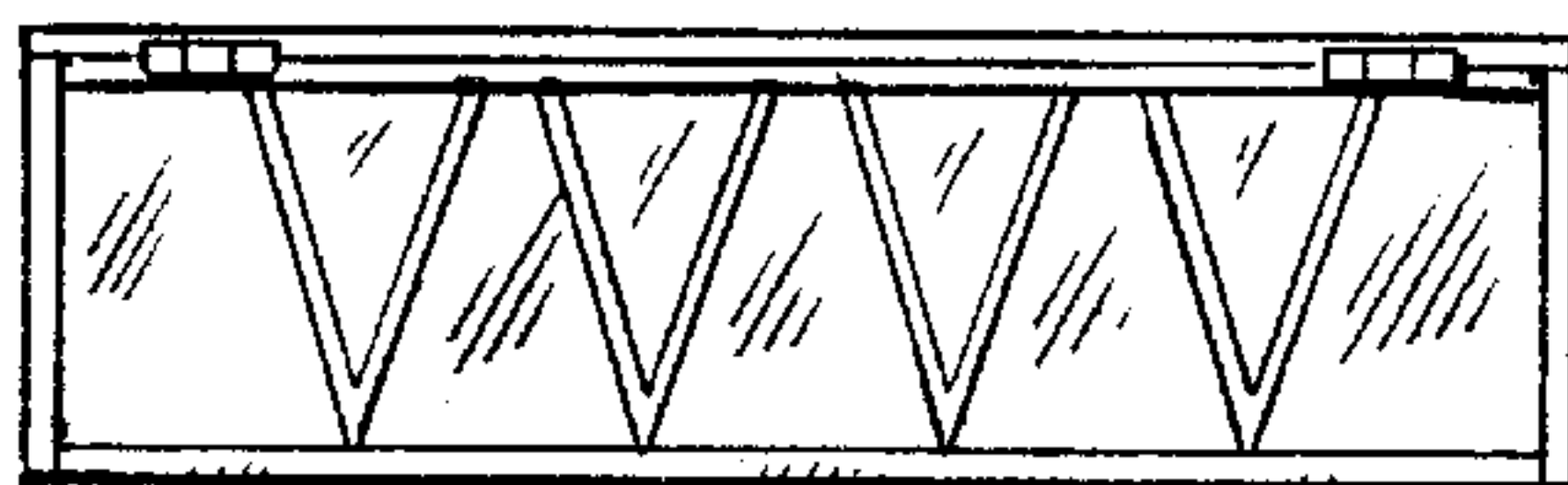


FIG. 5

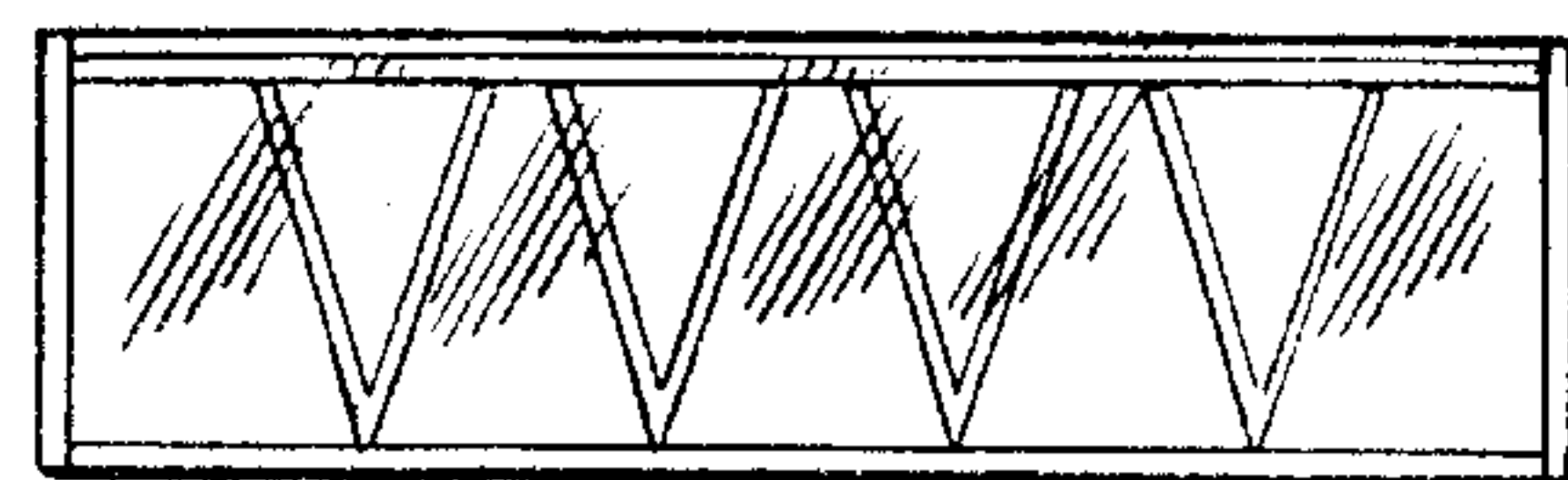


FIG. 6

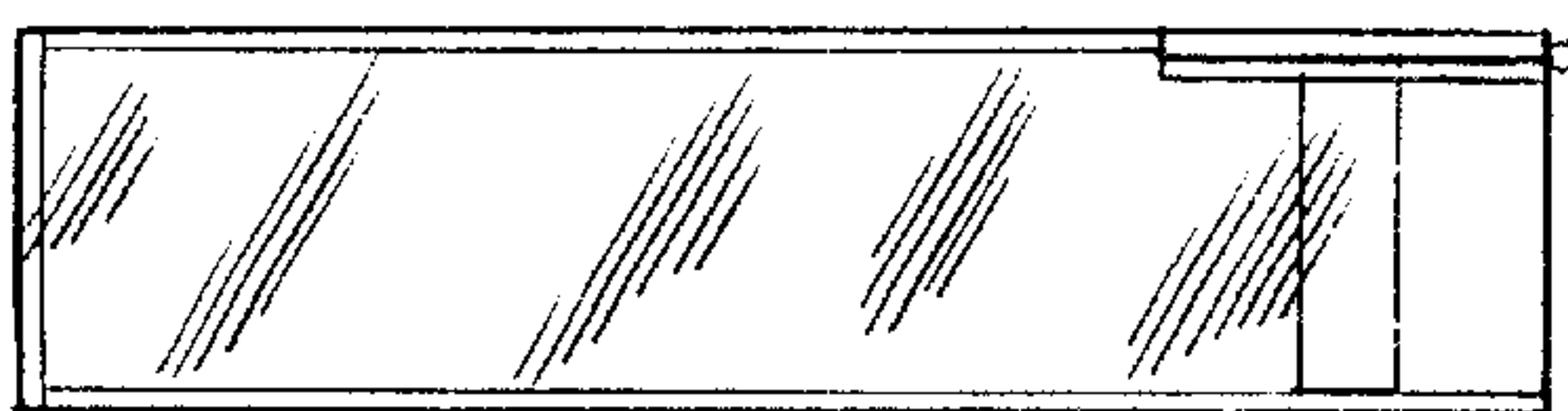


FIG. 7

