



US00D401688S

United States Patent [19] Coe

[11] **Patent Number: Des. 401,688**

[45] **Date of Patent: **Nov. 24, 1998**

[54] **COMPLIANCE RING**

2,450,949 10/1948 Gattuccio et al. 116/315
5,577,335 11/1996 Tucker 40/311

[75] Inventor: **Matthew Coe**, Asbury, N.J.

[73] Assignee: **PharmaDesign, Inc.**, Warren, N.J.

[**] Term: **14 Years**

Primary Examiner—Louis S. Zarfes
Assistant Examiner—G. Andoll
Attorney, Agent, or Firm—Bryan, Levitin & Bab, LLP

[21] Appl. No.: **74,611**

[22] Filed: **Aug. 5, 1997**

[57] **CLAIM**

The ornamental design for a compliance ring, shown and described.

[51] **LOC (6) Cl.** **24-02**

[52] **U.S. Cl.** **D24/127; D24/231**

[58] **Field of Search** D24/127, 129,
D24/117, 231; D9/337, 434, 499; D20/10;
D10/462, 109; 73/426; 604/187; 215/DIG. 3,
322, 230; 40/311, 495; 220/801, 796, 256,
281; D28/91.1; 222/23; 239/71; 116/315;
206/534, 459.1

DESCRIPTION

FIG. 1 is a top, front and left side perspective view of a compliance ring showing my new design;
FIG. 2 is a top plan view of the compliance ring;
FIG. 3 is a front elevation view thereof;
FIG. 4 is a left elevation view thereof;
FIG. 5 is a right elevation view thereof;
FIG. 6 is a rear elevation view thereof;
FIG. 7 is a bottom plan view thereof; and,
FIG. 8 is a bottom, front and left side perspective view thereof.

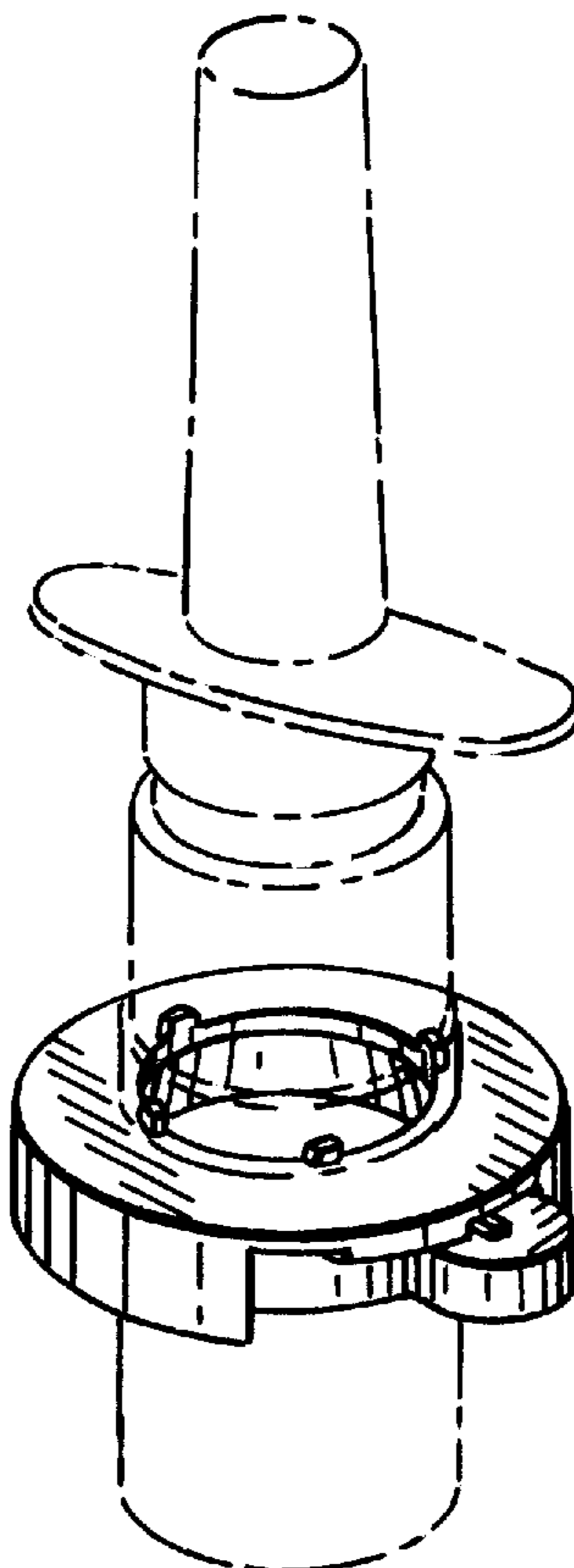
The broken line showing of the medicine bottle in FIG. 1 is for illustrative purposes only and forms no part of the claimed design.

[56] **References Cited**

U.S. PATENT DOCUMENTS

D. 312,390	11/1990	Clement	D20/10
D. 363,778	10/1995	Cane et al.	D24/129
1,294,433	2/1919	Evers	40/495
2,111,637	3/1938	Mehaffey	215/230
2,215,465	9/1940	Erlich	116/315

1 Claim, 3 Drawing Sheets



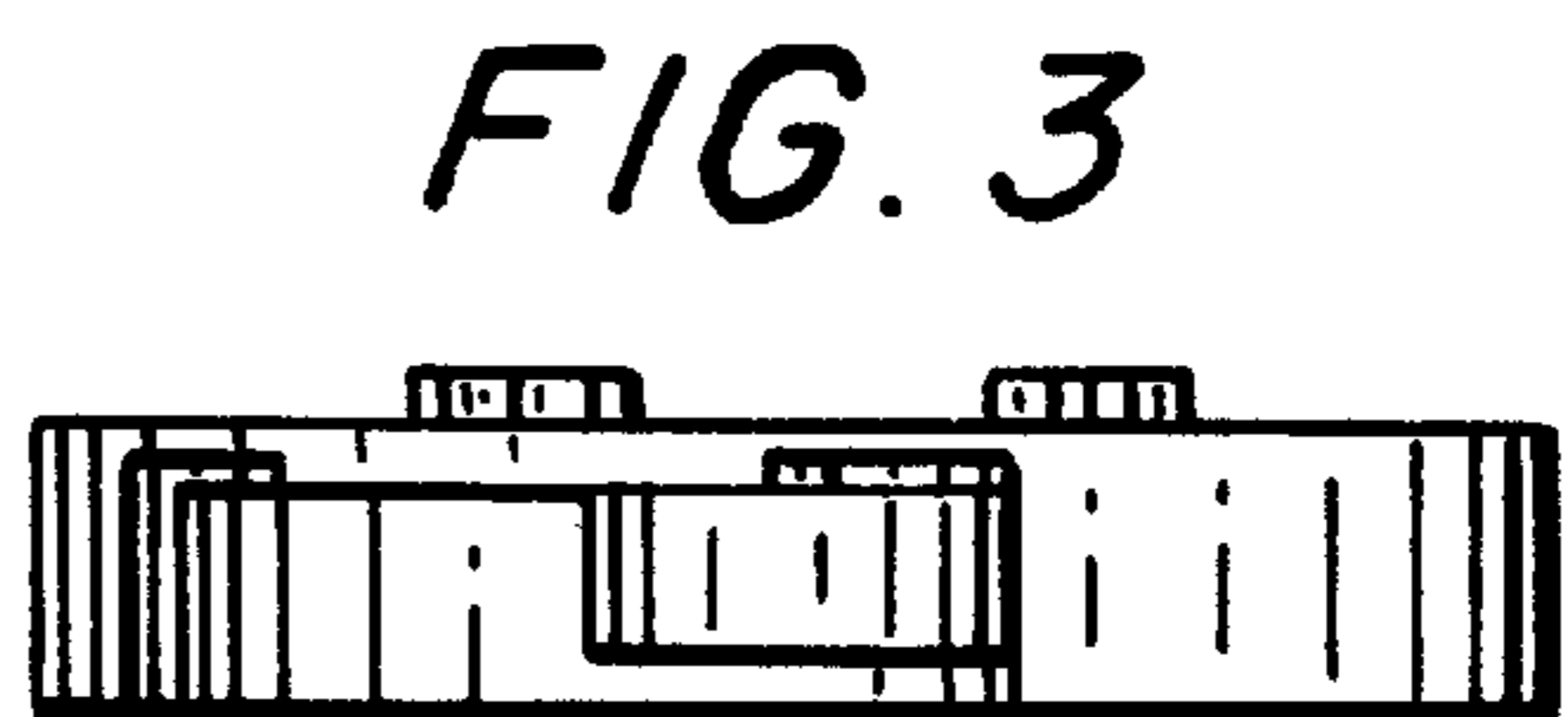
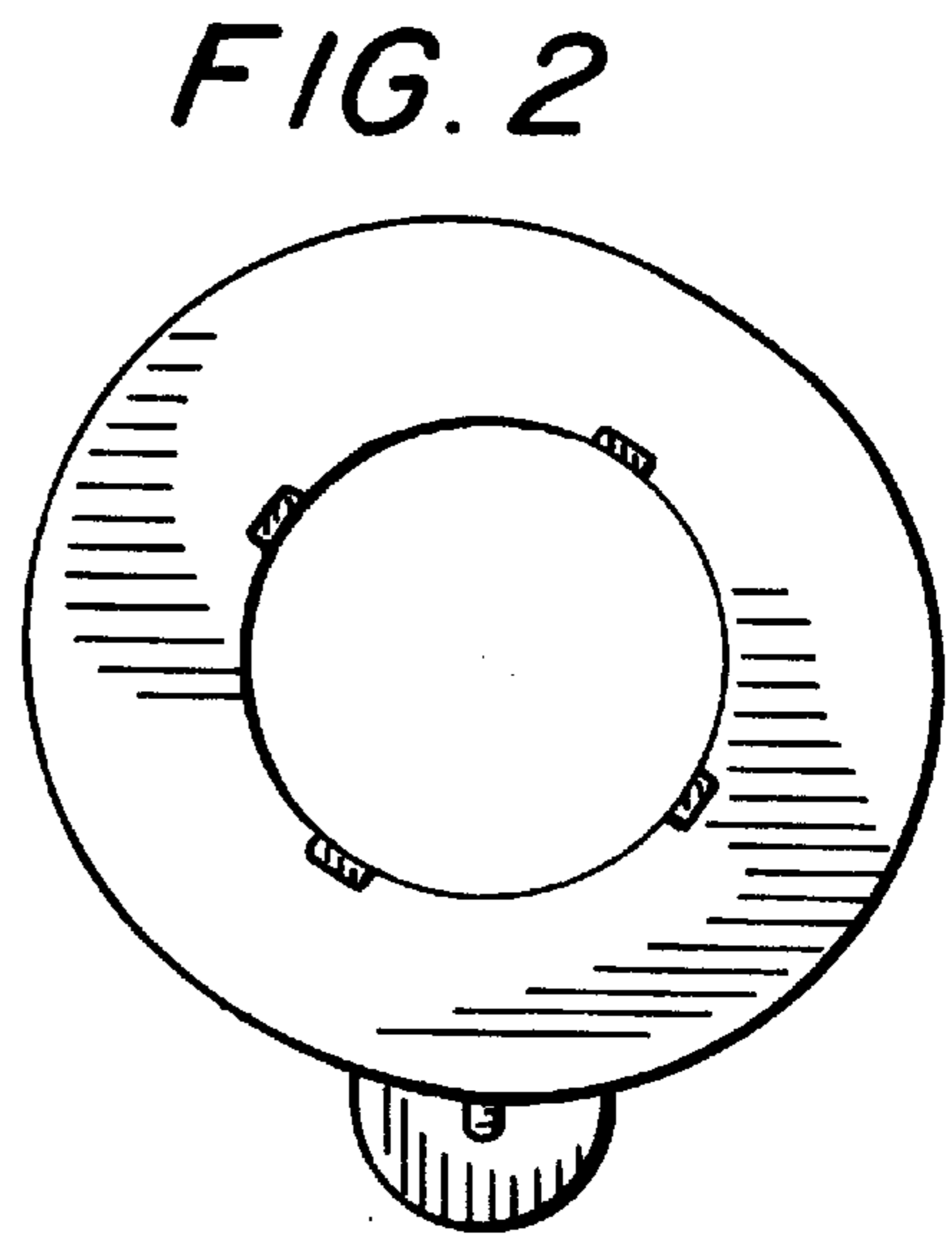
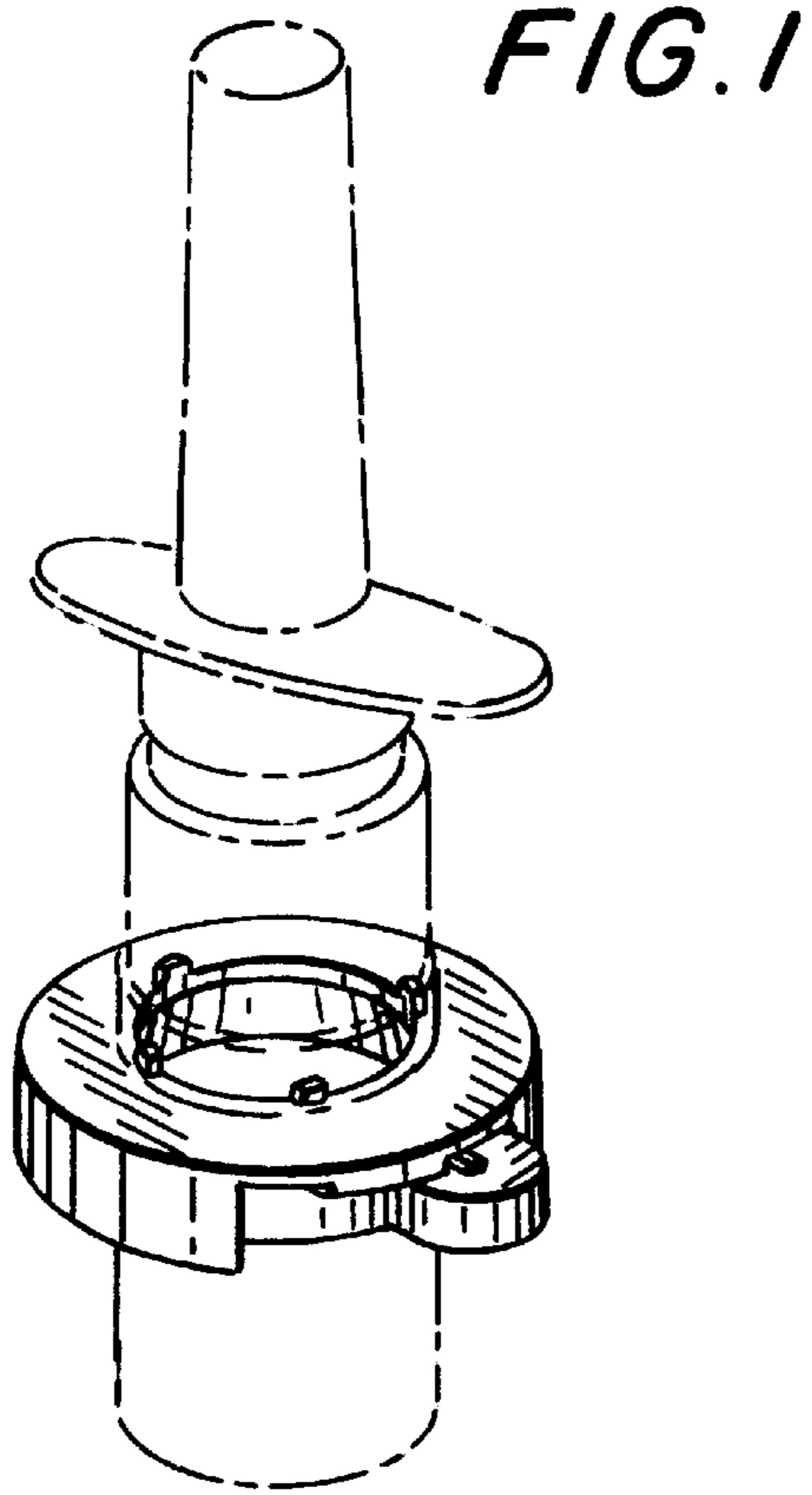


FIG. 5

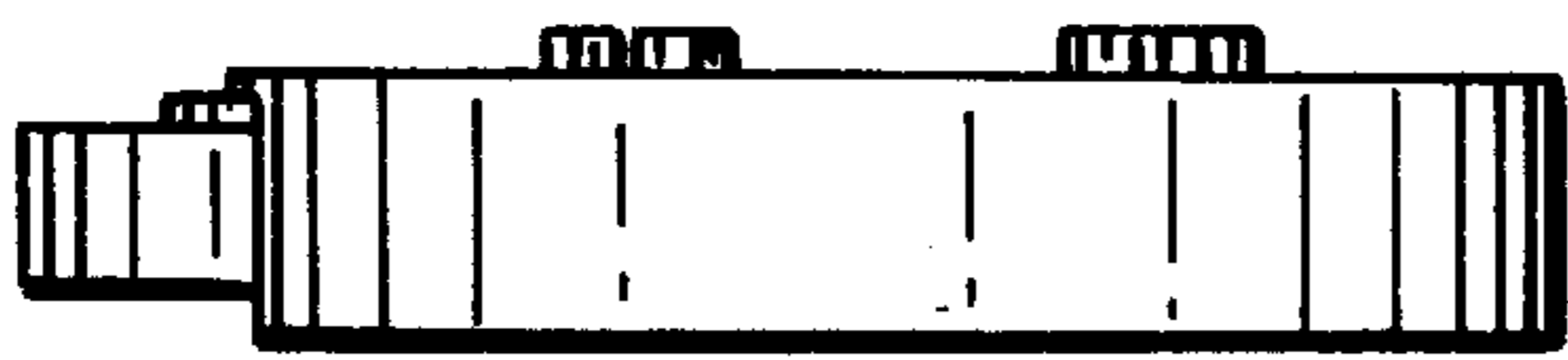


FIG. 6

FIG. 7

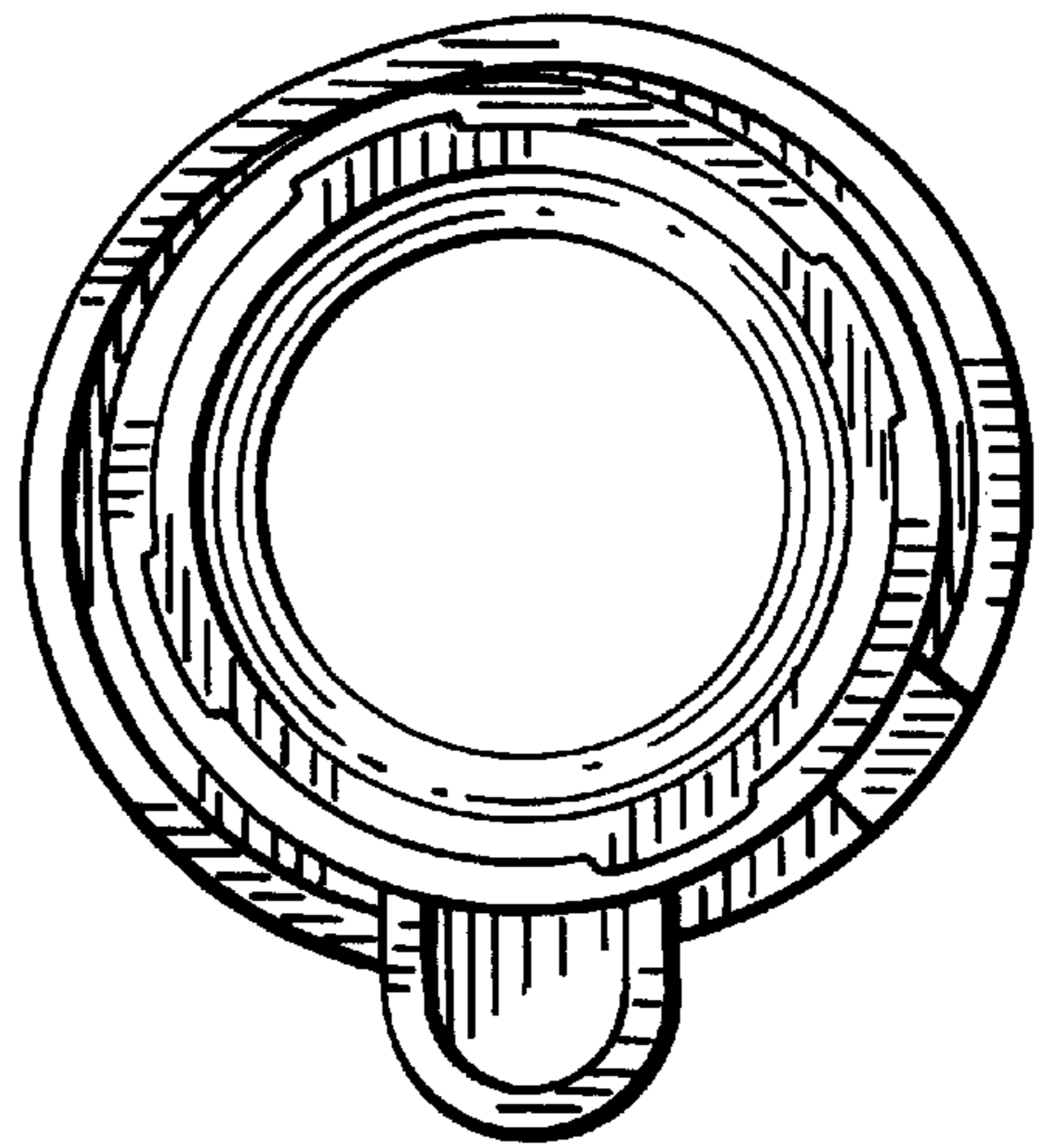


FIG. 8

