



US00D401687S

United States Patent [19]

[11] Patent Number: Des. 401,687

Pearce et al.

[45] Date of Patent: **Nov. 24, 1998

[54] ELECTRIC MOTOR HOUSING

[57] CLAIM

[75] Inventors: **Richard A. Pearce**, Memphis; **Masao Tsuji**, Germantown, both of Tenn.

The ornamental design for an electric motor housing, as shown and described.

[73] Assignee: **Hunter Fan Company**, Memphis, Tenn.

DESCRIPTION

[**] Term: **14 Years**

FIG. 1 is a top perspective view of an electric motor housing showing our new design;

[21] Appl. No.: **80,775**

FIG. 2 is a top view of the electric motor housing shown in FIG. 1;

[22] Filed: **Dec. 16, 1997**

FIG. 3 is a bottom plan view thereof;

[51] LOC (6) Cl. **23-04**

FIG. 4 is a front elevational view thereof; the rear, left-side, and right-side views being mirror images thereof;

[52] U.S. Cl. **D23/411**

FIG. 5 is a top perspective view of an electric motor housing showing a second embodiment of our new design;

[58] Field of Search D15/1-5; 310/59; D23/377, 411; D13/112; 416/5; 362/216

FIG. 6 is a bottom perspective view of the electric motor housing shown in FIG. 5;

[56] References Cited

FIG. 7 is an additional top perspective view of the electric motor housing shown in FIG. 6 with the broken lines removed;

U.S. PATENT DOCUMENTS

| | | | | |
|------------|--------|---------------|-------|---------|
| D. 240,461 | 7/1976 | Leichliter | | D15/5 |
| D. 294,141 | 2/1988 | Ueda et al. | | D13/112 |
| D. 324,100 | 2/1992 | Holbrook | | D23/411 |
| D. 324,266 | 2/1992 | Holbrook | | D23/411 |
| D. 329,494 | 9/1992 | Holbrook | | D23/377 |
| 4,093,897 | 6/1978 | Fujita et al. | | D13/112 |

FIG. 8 is a front elevational view thereof, the rear, left-side, and right-side views being mirror images thereof;

FIG. 9 is a top plan view thereof; and,

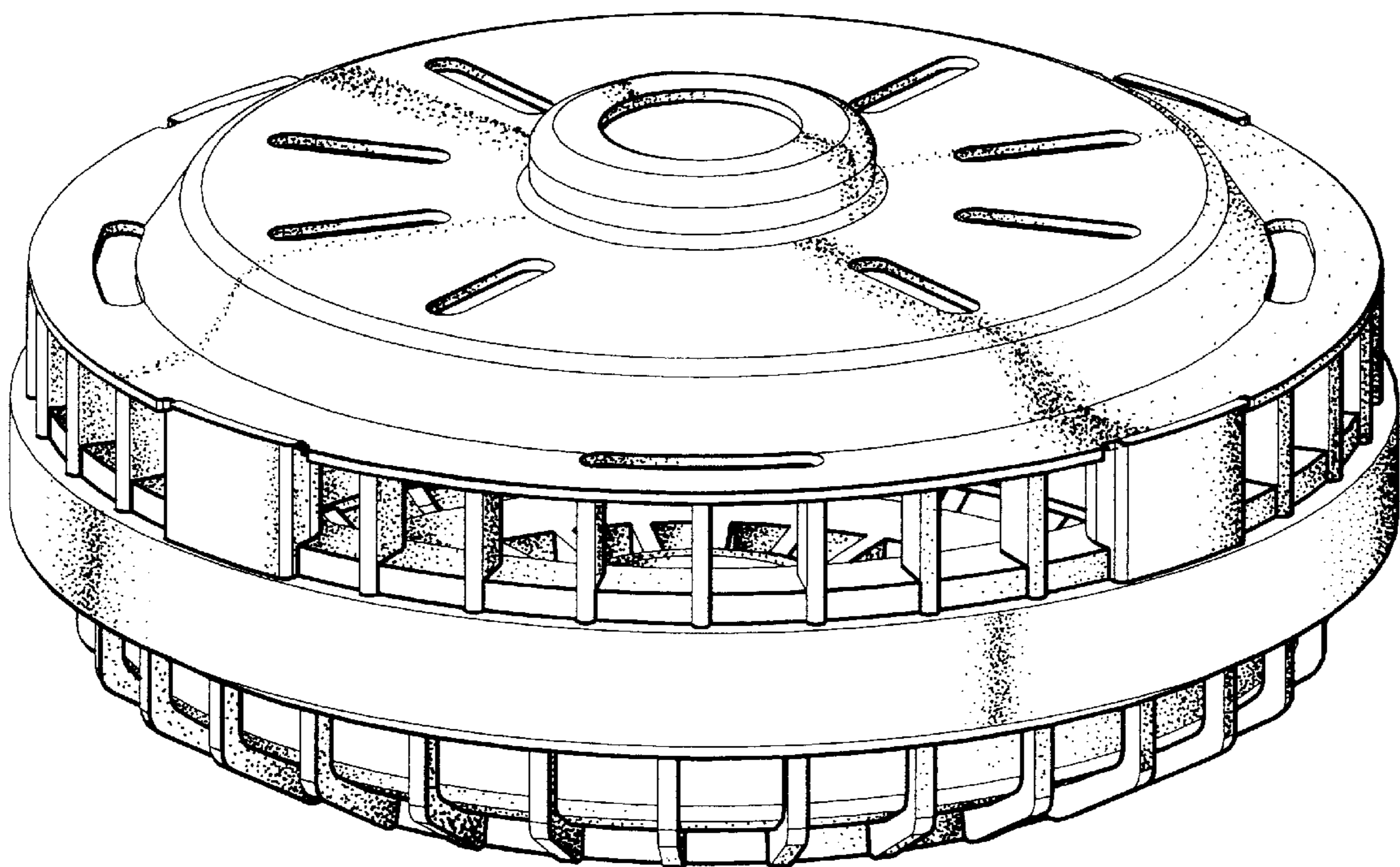
FIG. 10 is a bottom plan view thereof.

Primary Examiner—Ralf Seifert

The broken line showing in FIGS. 5 and 6 is illustrative of environmental structure only and forms no part of the claimed design.

Attorney, Agent, or Firm—Baker, Donelson, Bearman & Caldwell

1 Claim, 10 Drawing Sheets



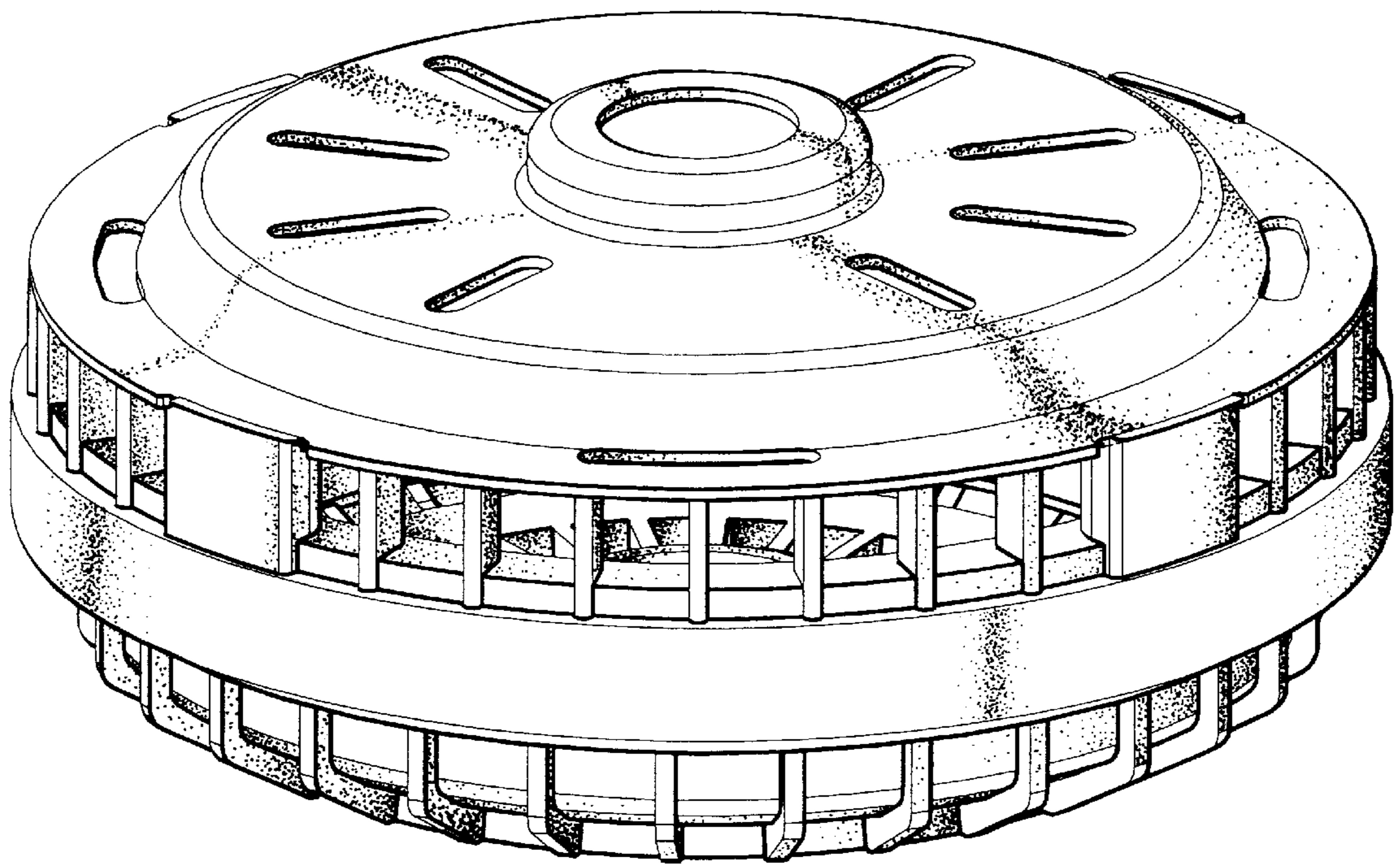


FIG 1

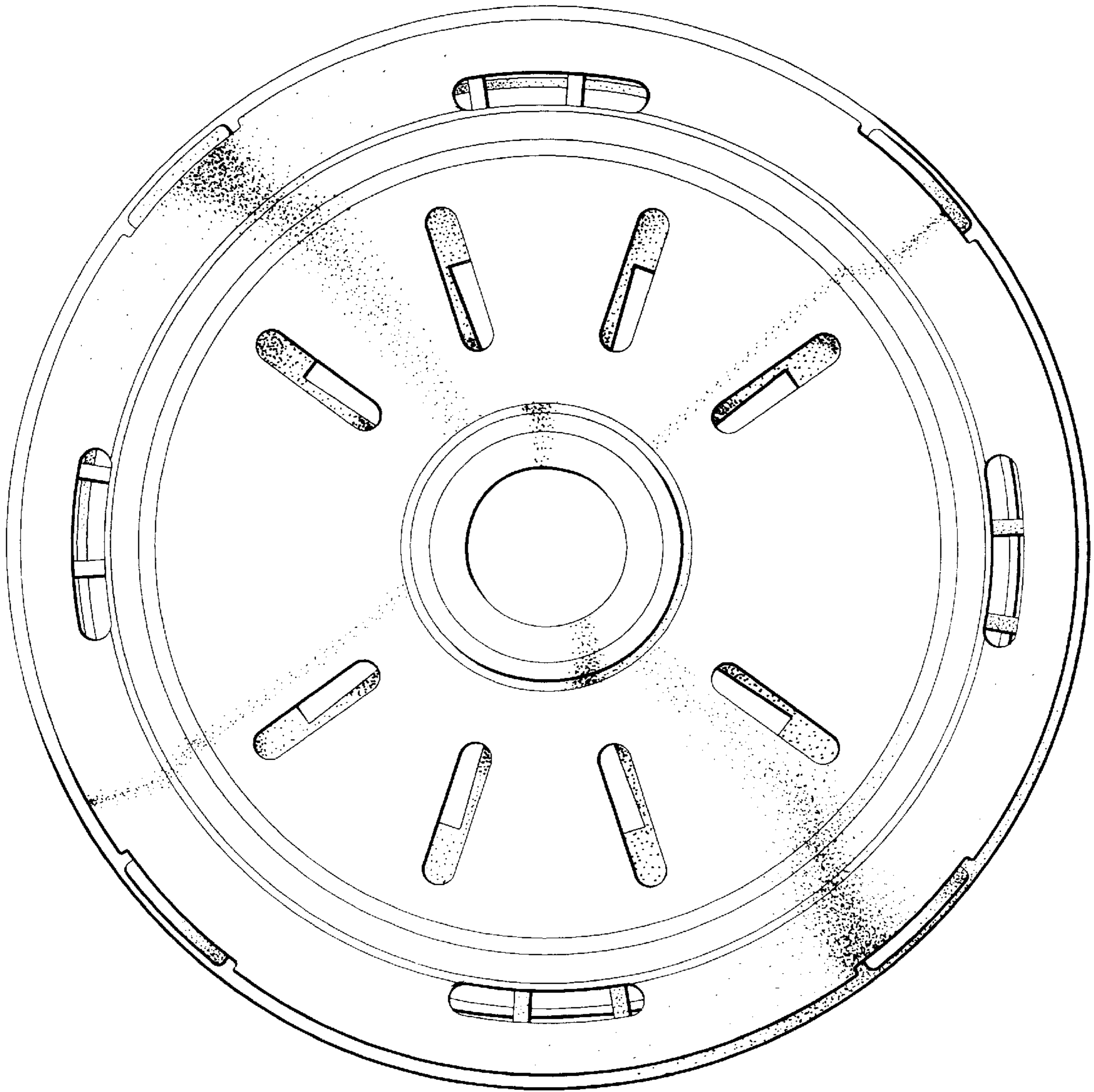


FIG 2

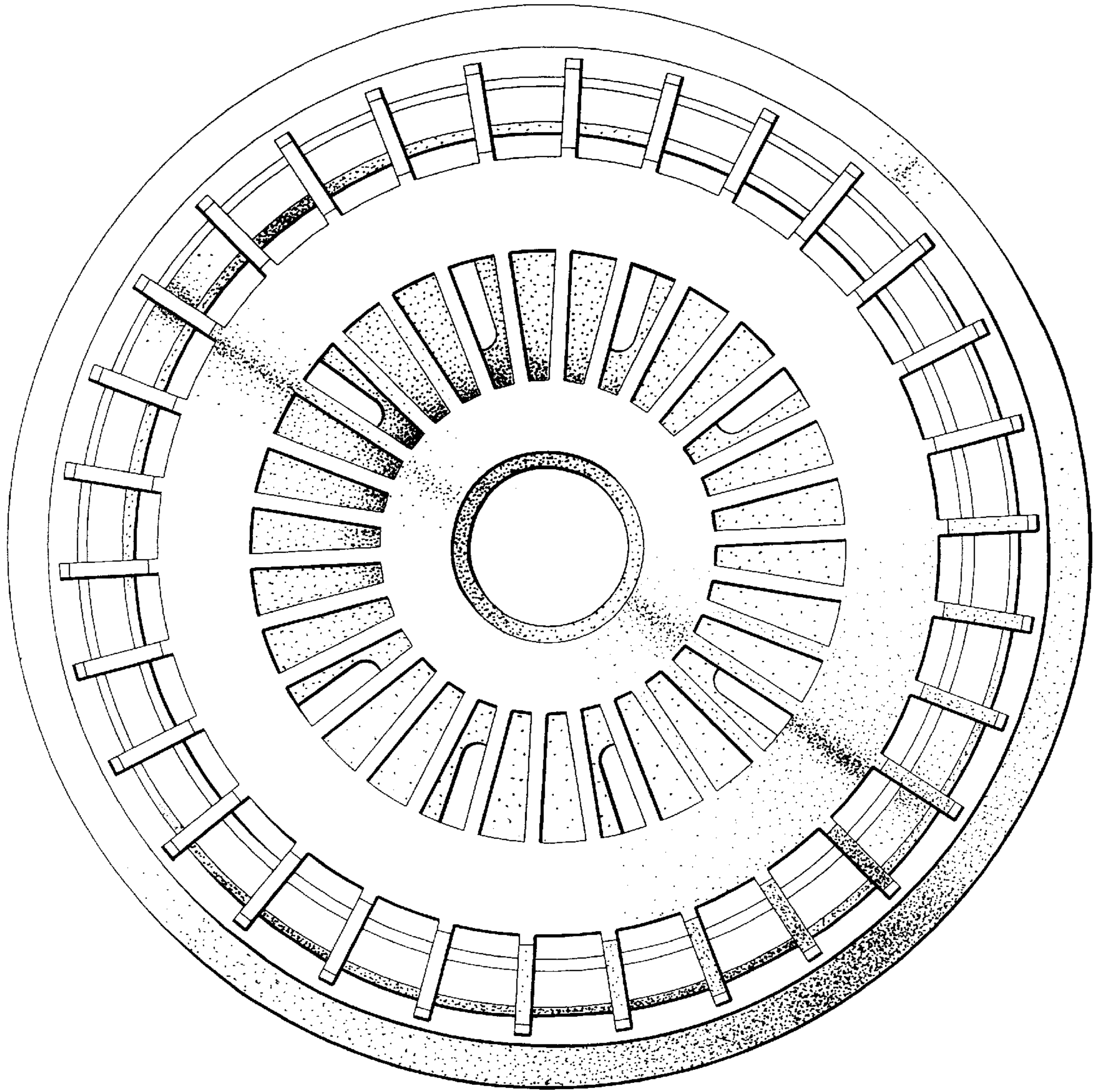


FIG 3

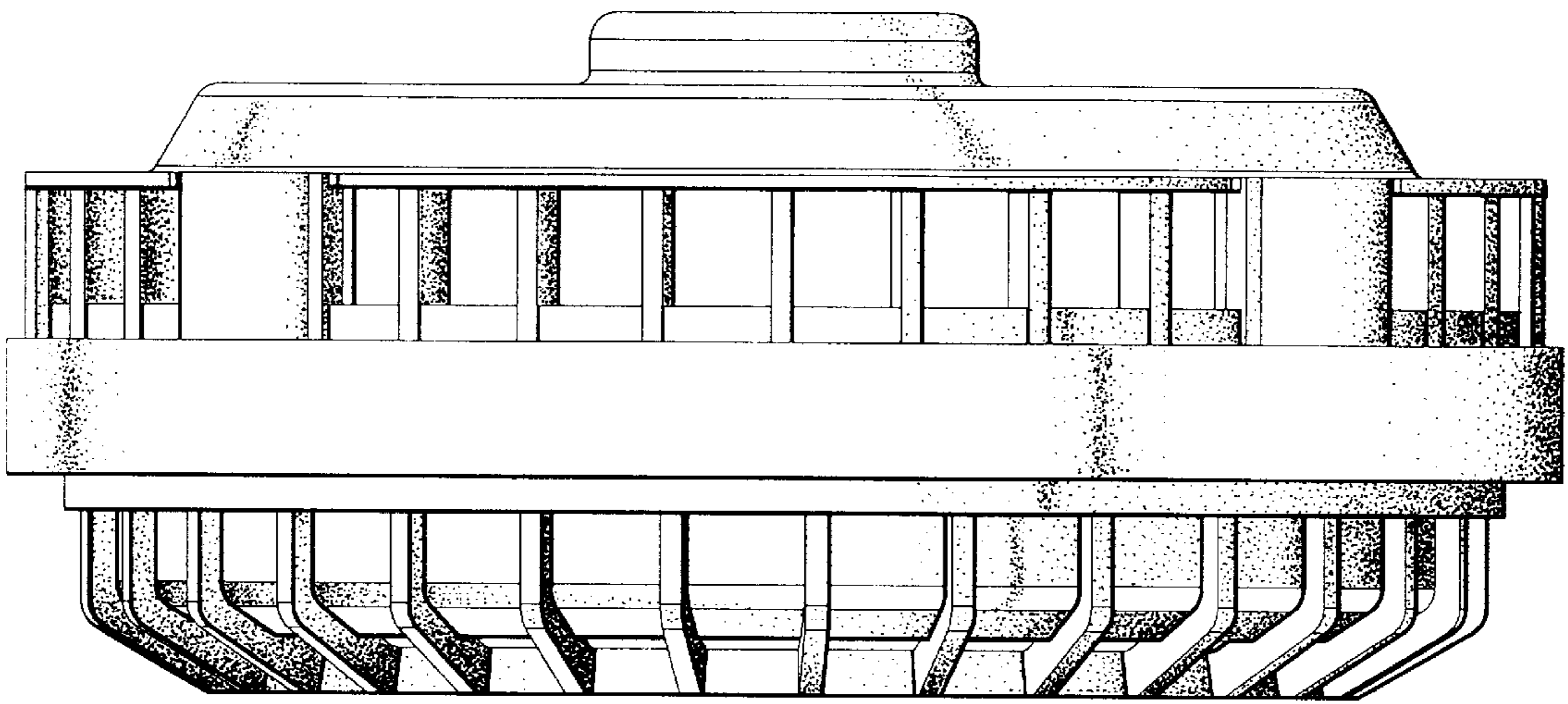


FIG 4

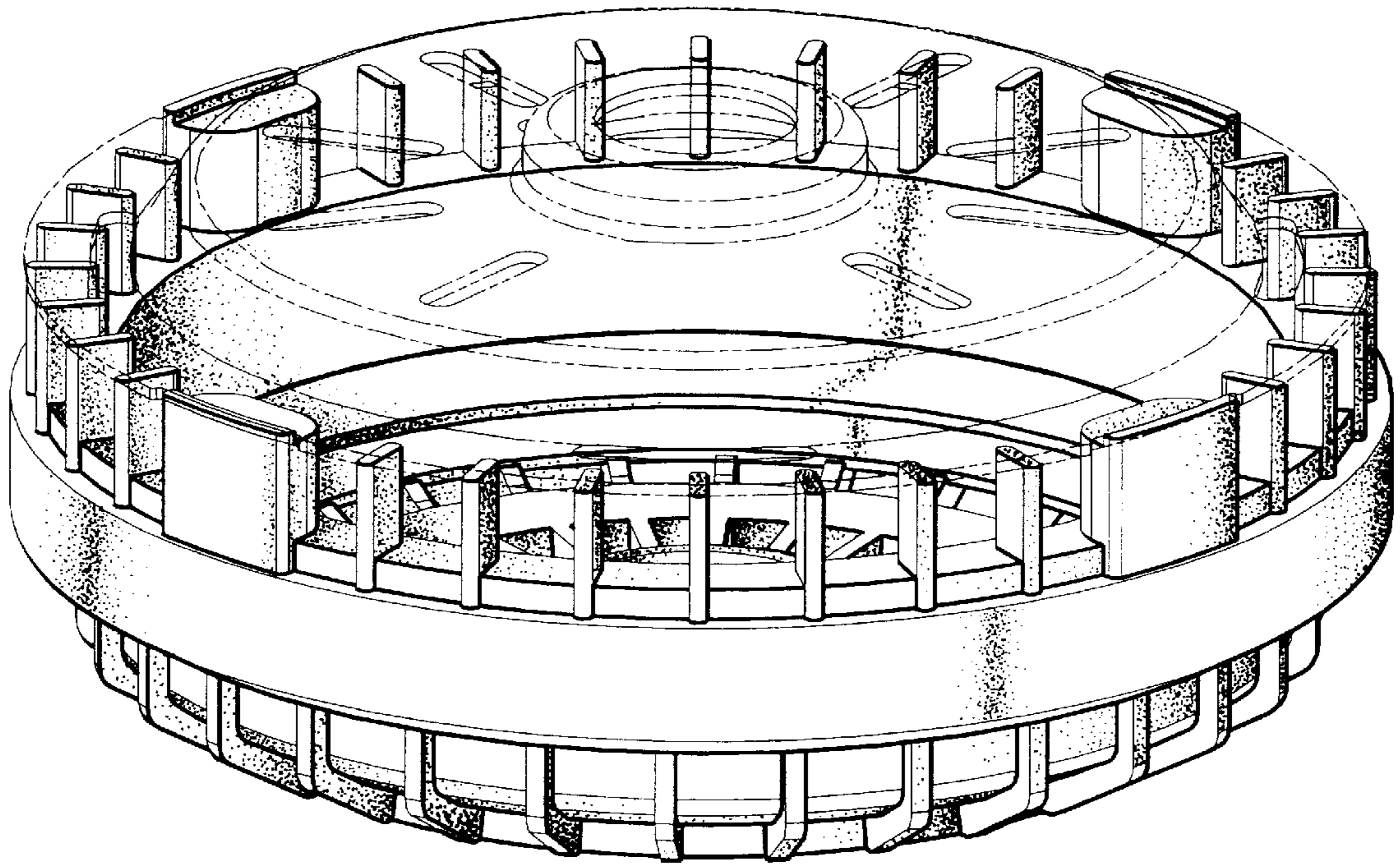


FIG 5

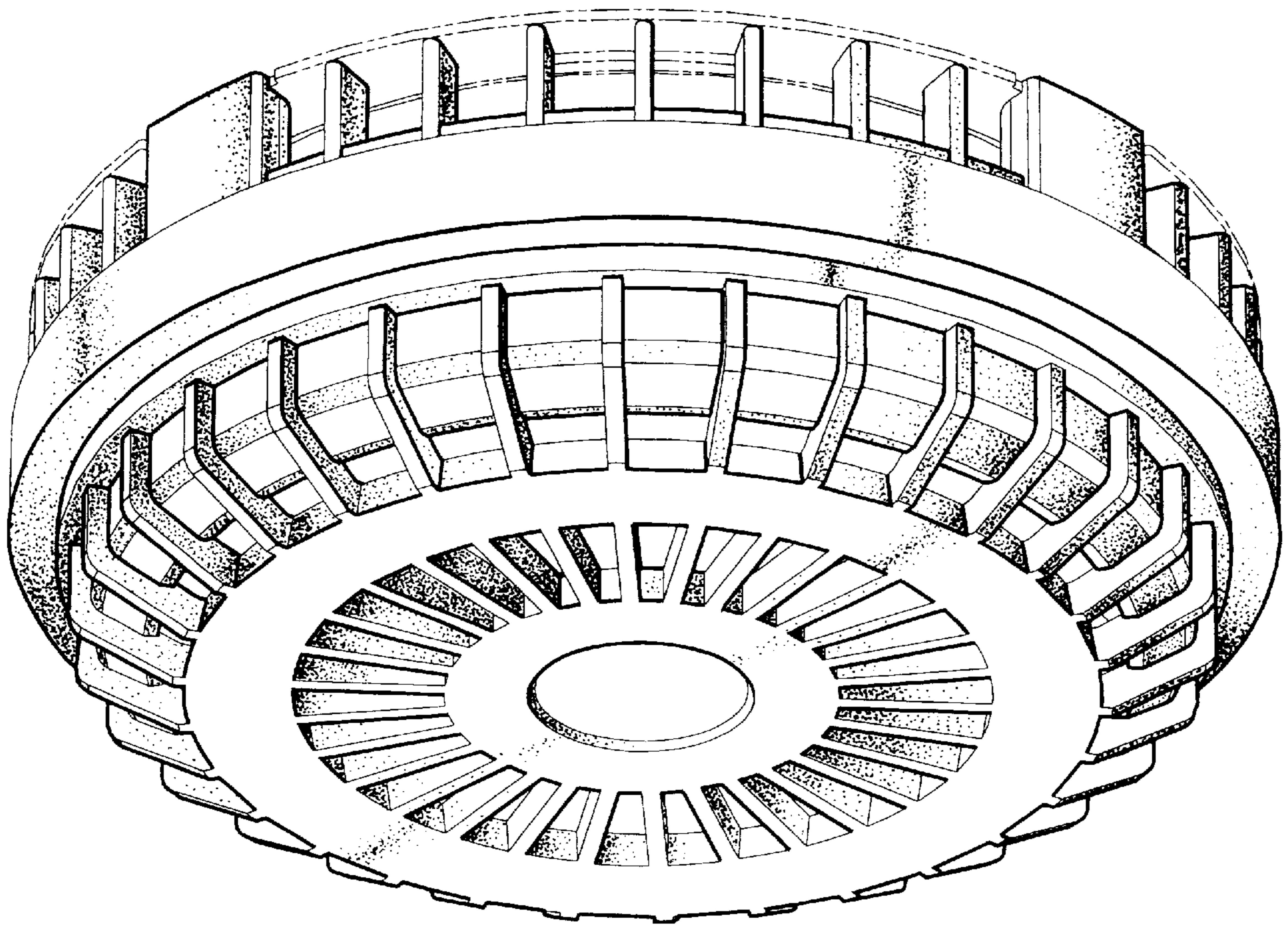


FIG 6

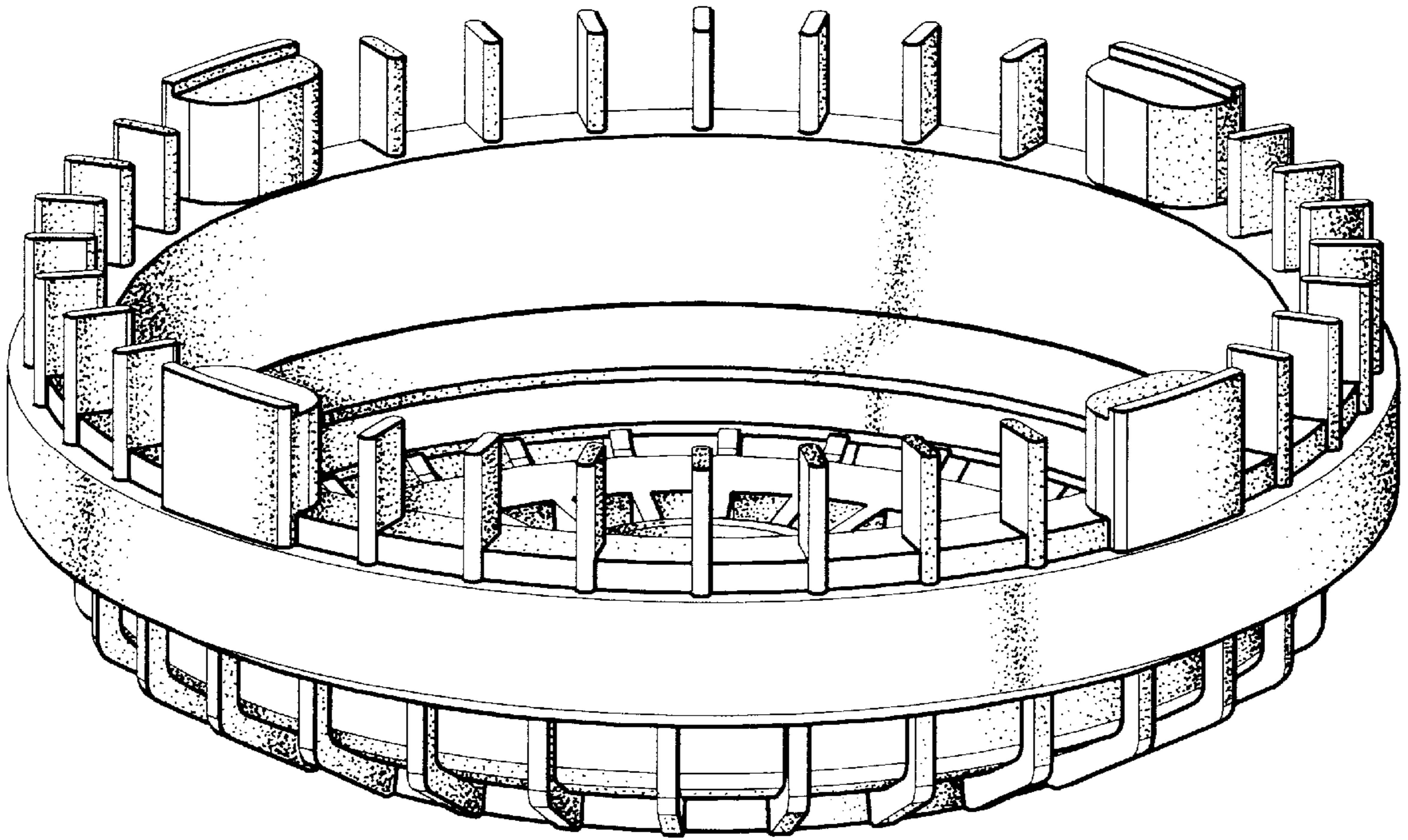


FIG 7

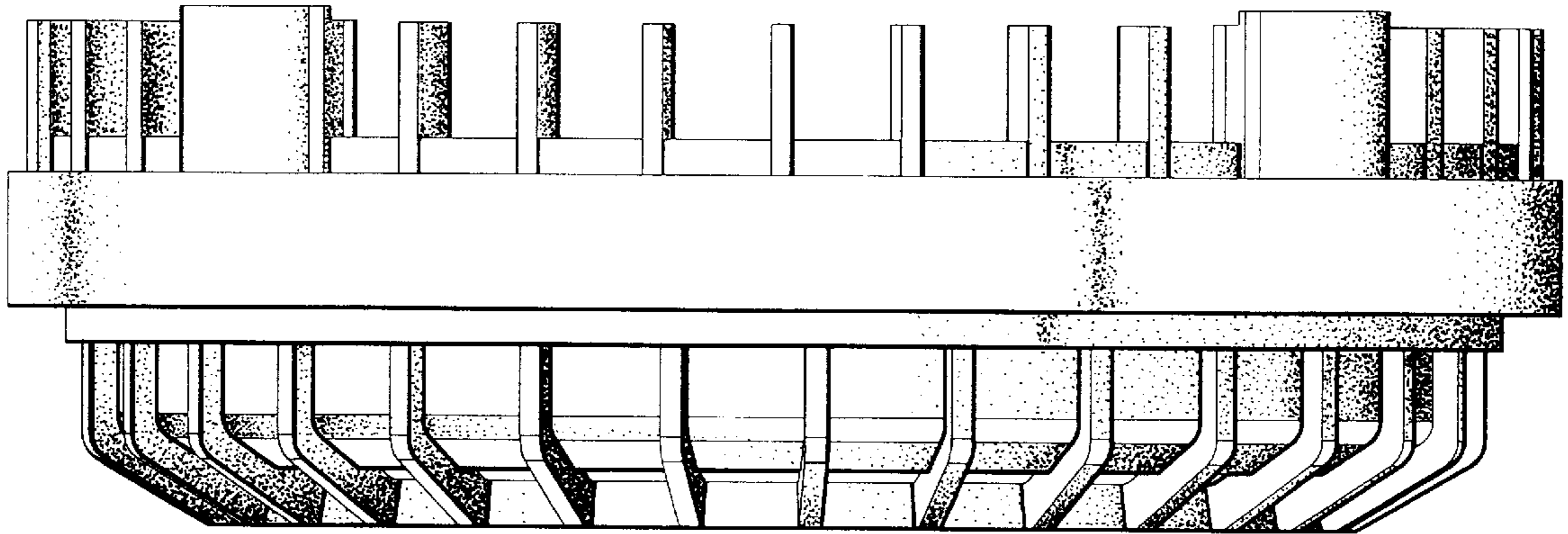


FIG 8

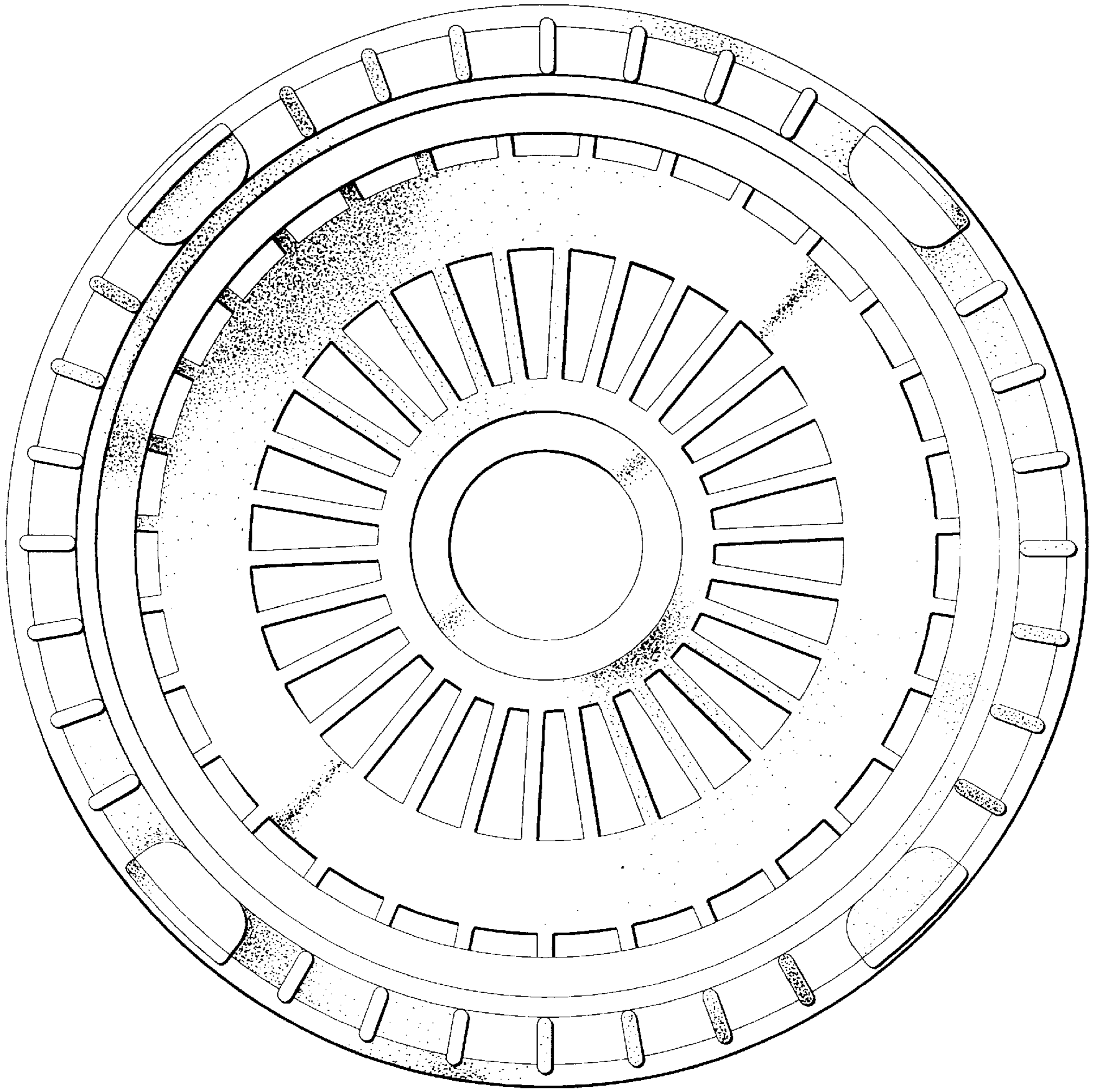


FIG 9

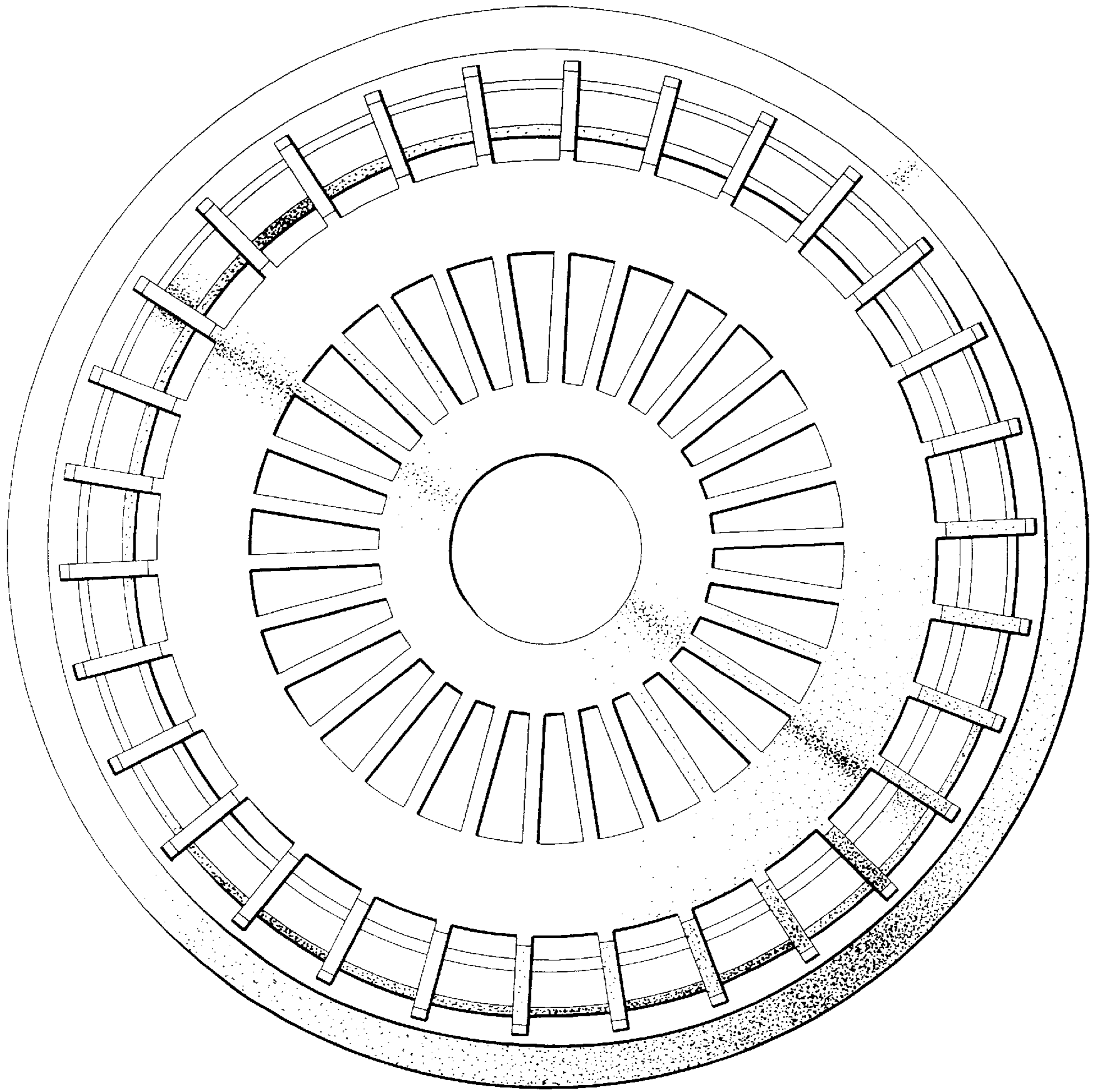


FIG 10