



US00D401684S

# United States Patent [19]

Shelton et al.

[11] Patent Number: **Des. 401,684**

[45] Date of Patent: **\*\*Nov. 24, 1998**

[54] **AIR FILTER**

[75] Inventors: **Nathan E. Shelton**, Riverside, Calif.;  
**Duncan Bickerton**, Warrington,  
England

[73] Assignee: **K&N Engineering, Inc.**, Riverside,  
Calif.

[\*\*] Term: **14 Years**

[21] Appl. No.: **79,284**

[22] Filed: **Nov. 12, 1997**

[51] **LOC (6) Cl.** ..... **23-04**

[52] **U.S. Cl.** ..... **D23/365**

[58] **Field of Search** ..... D23/365, 364;  
55/498, 521; 210/493.1, 493.2, 497.3, 489,  
490

### [56] References Cited

#### U.S. PATENT DOCUMENTS

D. 381,741 7/1997 Johnson ..... D23/364  
2,957,235 10/1960 Steinberg ..... 210/493.2

3,458,050 7/1969 Cooper ..... 55/521  
3,546,853 12/1970 Claar ..... 55/498  
4,560,477 12/1985 Moldow ..... 210/493.1  
5,106,397 4/1992 Jaroszczyk et al. .... 55/521  
5,597,479 1/1997 Johnson ..... 210/493.1

*Primary Examiner*—Lisa Lichtenstein  
*Attorney, Agent, or Firm*—Wagner, Middlebrook & Kimbell

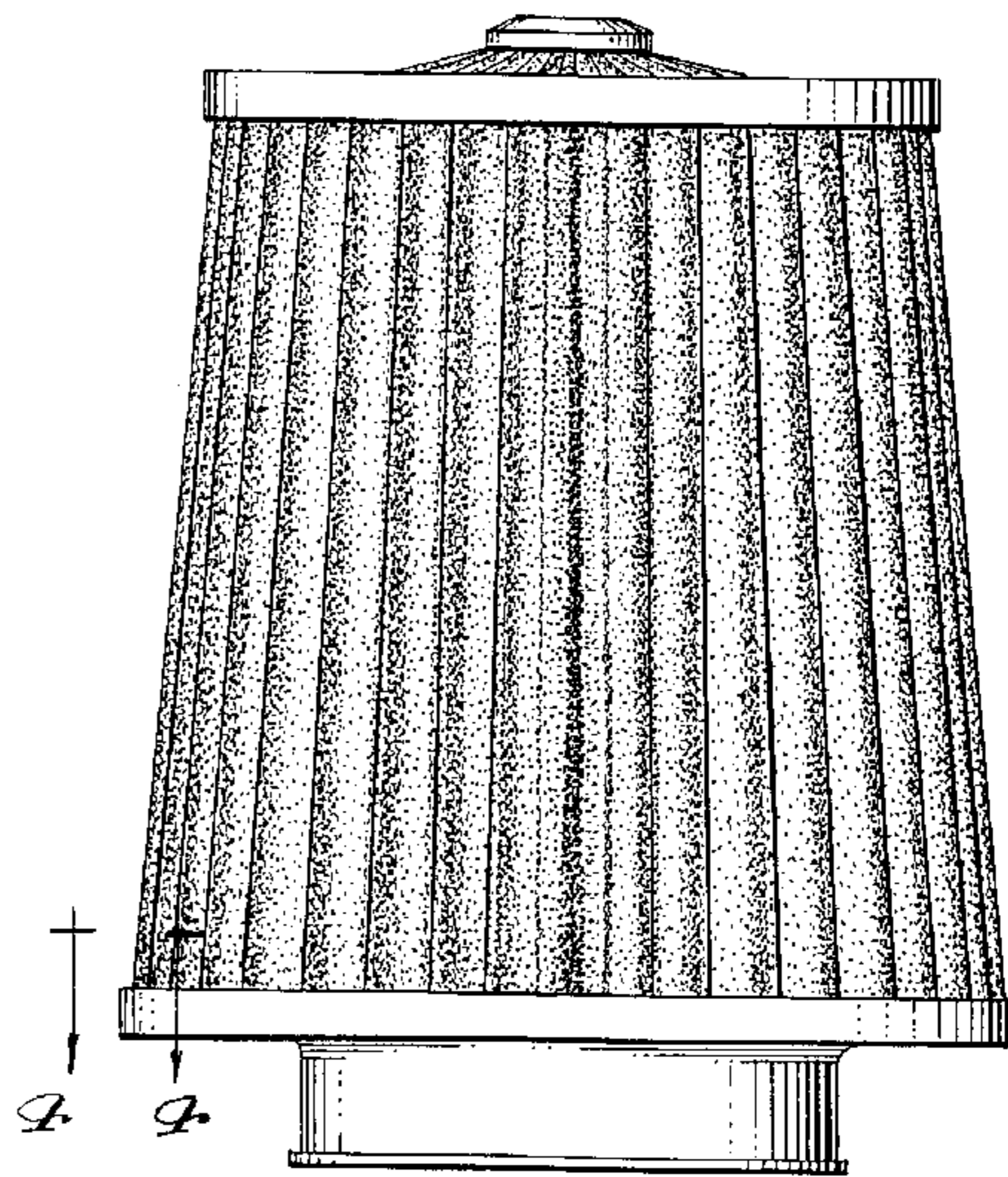
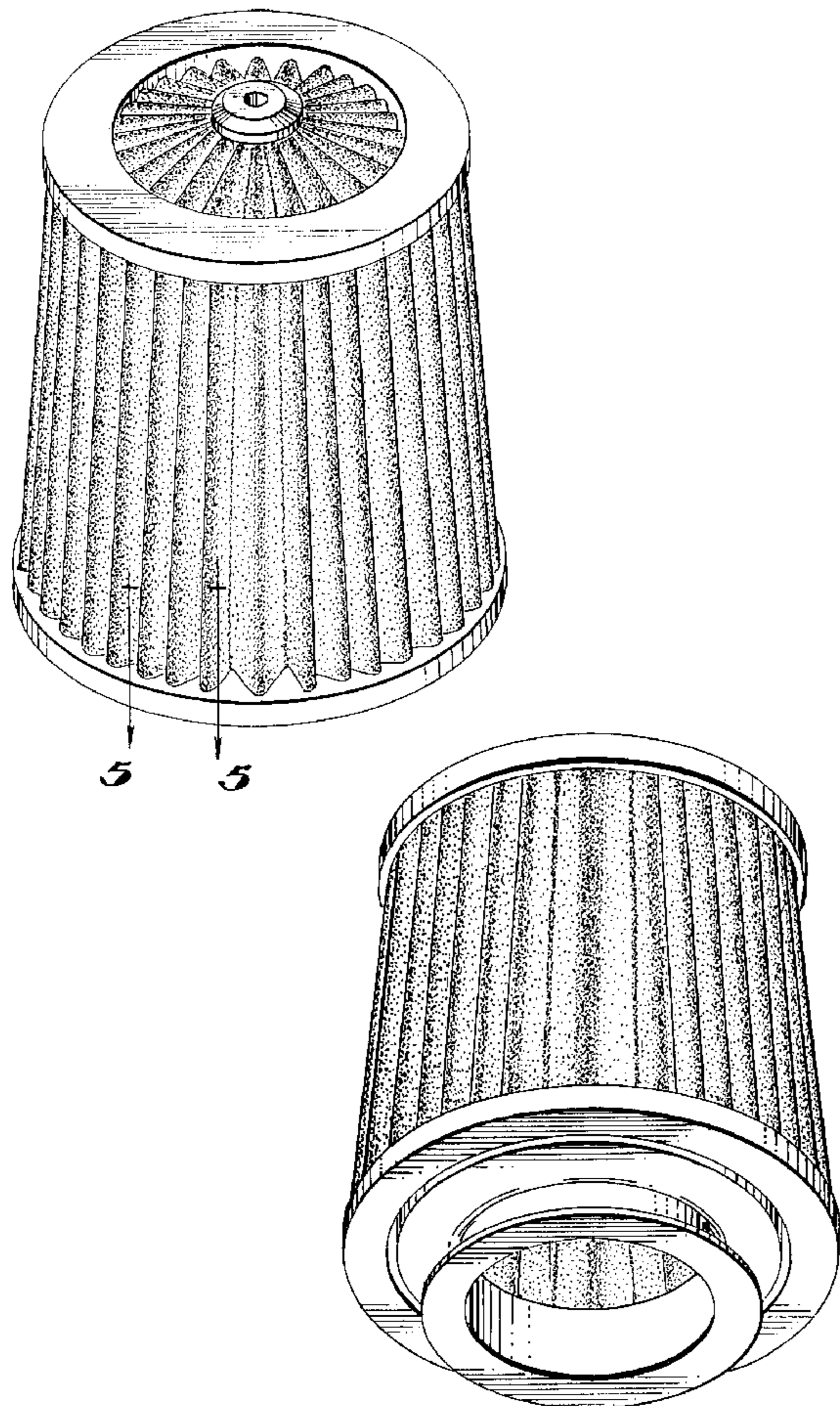
### [57] CLAIM

The ornamental design for an air filter, as shown and described.

### DESCRIPTION

FIG. 1 is a top perspective view of an air filter showing our new design;  
FIG. 2 is a perspective view from the bottom;  
FIG. 3 is a side elevational view, the other sides being identical to that shown;  
FIG. 4 is an enlarged fragmentary cross-sectional view taken along line 4—4 of FIG. 3; and,  
FIG. 5 is an enlarged fragmentary cross-sectional view taken along line 5—5 of FIG. 1.

**1 Claim, 2 Drawing Sheets**



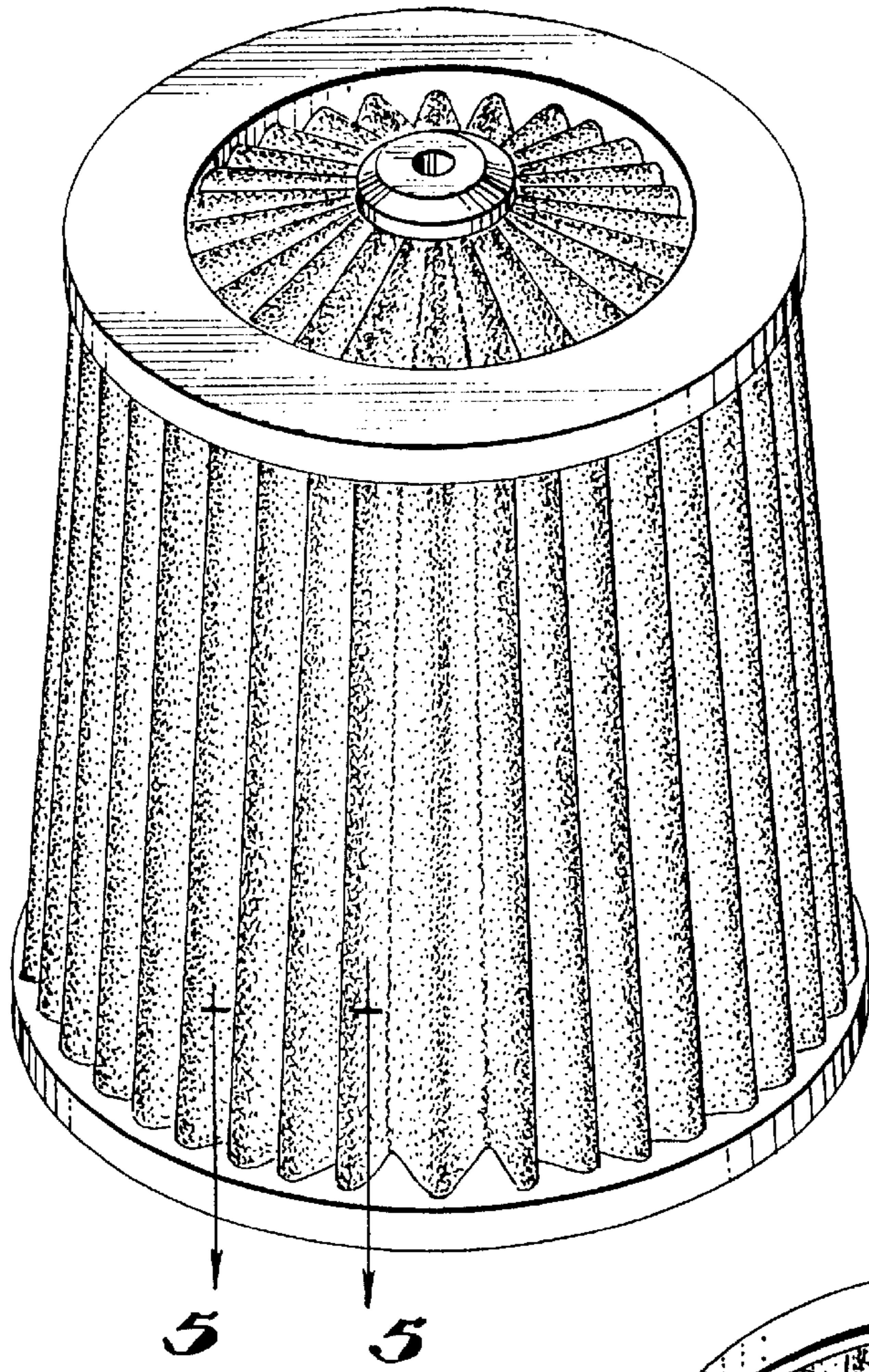
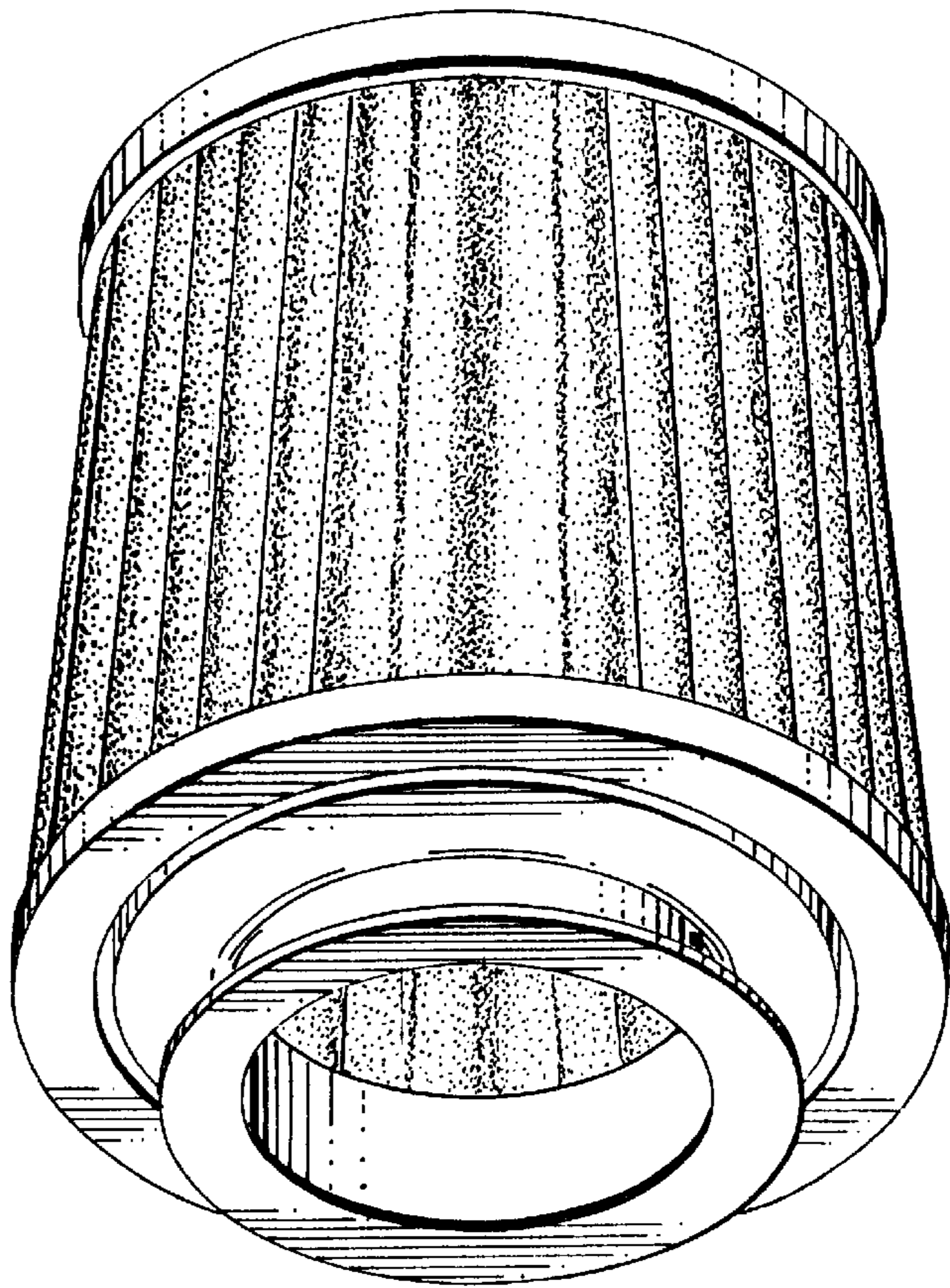


FIG. 2



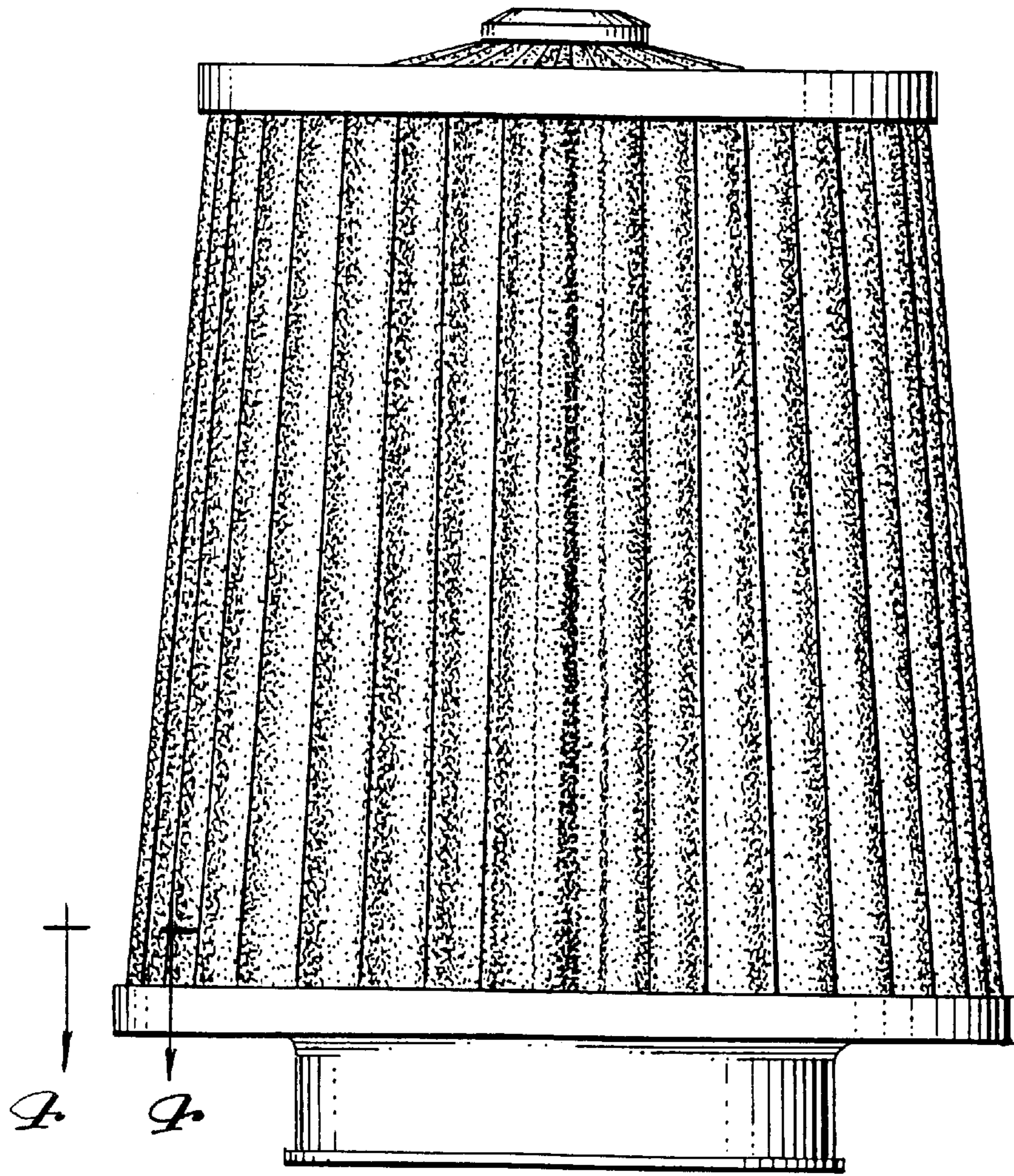


FIG. 3

FIG. 4

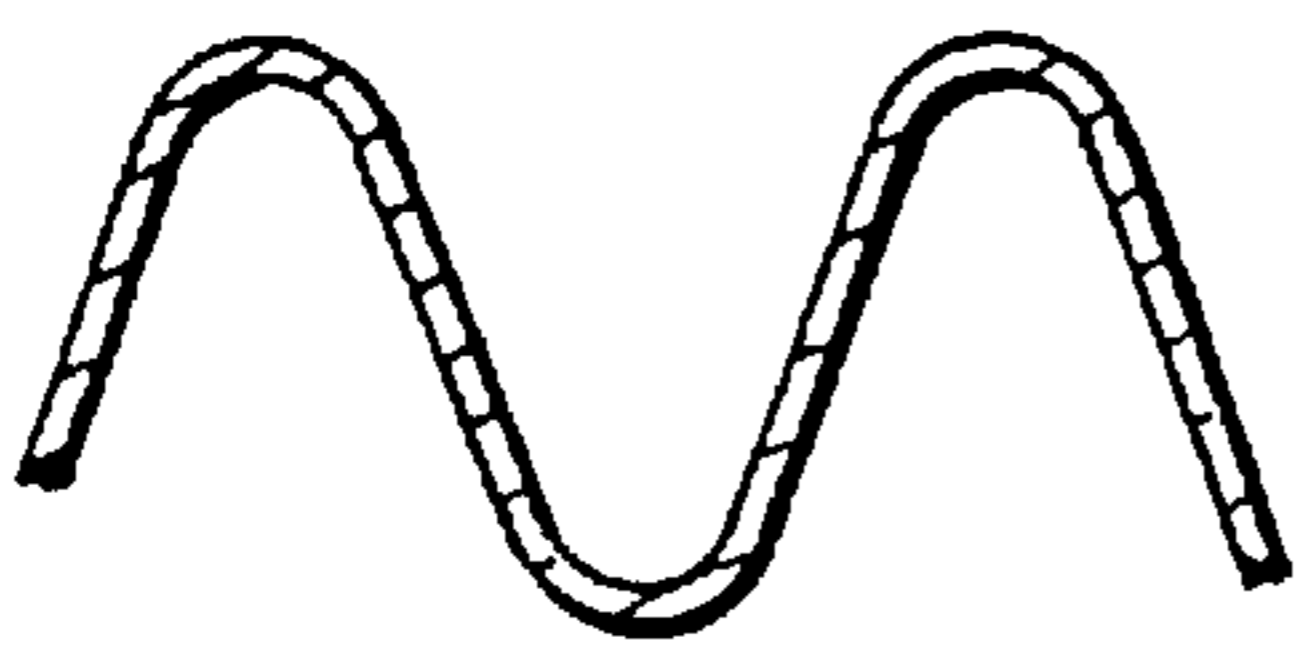


FIG. 5

