



US00D401683S

United States Patent [19]

[11] **Patent Number: Des. 401,683**

Alcone

[45] **Date of Patent: **Nov. 24, 1998**

[54] **AIR CLEANER**

[76] Inventor: **Jerry M. Alcone**, 1423 Los Tomases Dr. Northwest, Albuquerque, N. Mex. 87102

[**] Term: **14 Years**

[21] Appl. No.: **80,889**

[22] Filed: **Dec. 17, 1997**

[51] **LOC (6) Cl.** **23-04**

[52] **U.S. Cl.** **D23/364; D23/355**

[58] **Field of Search** D23/355, 364, D23/365; 55/510, 385.3; 123/198 E

[56] **References Cited**

U.S. PATENT DOCUMENTS

2,952,327	9/1960	Farr	55/510
3,807,144	4/1974	Graybill	55/385.3

Primary Examiner—Lisa Lichtenstein
Attorney, Agent, or Firm—Leatherwood Walker Todd & Mann, P.C.

[57] **CLAIM**

The ornamental design for an air cleaner, as shown and described.

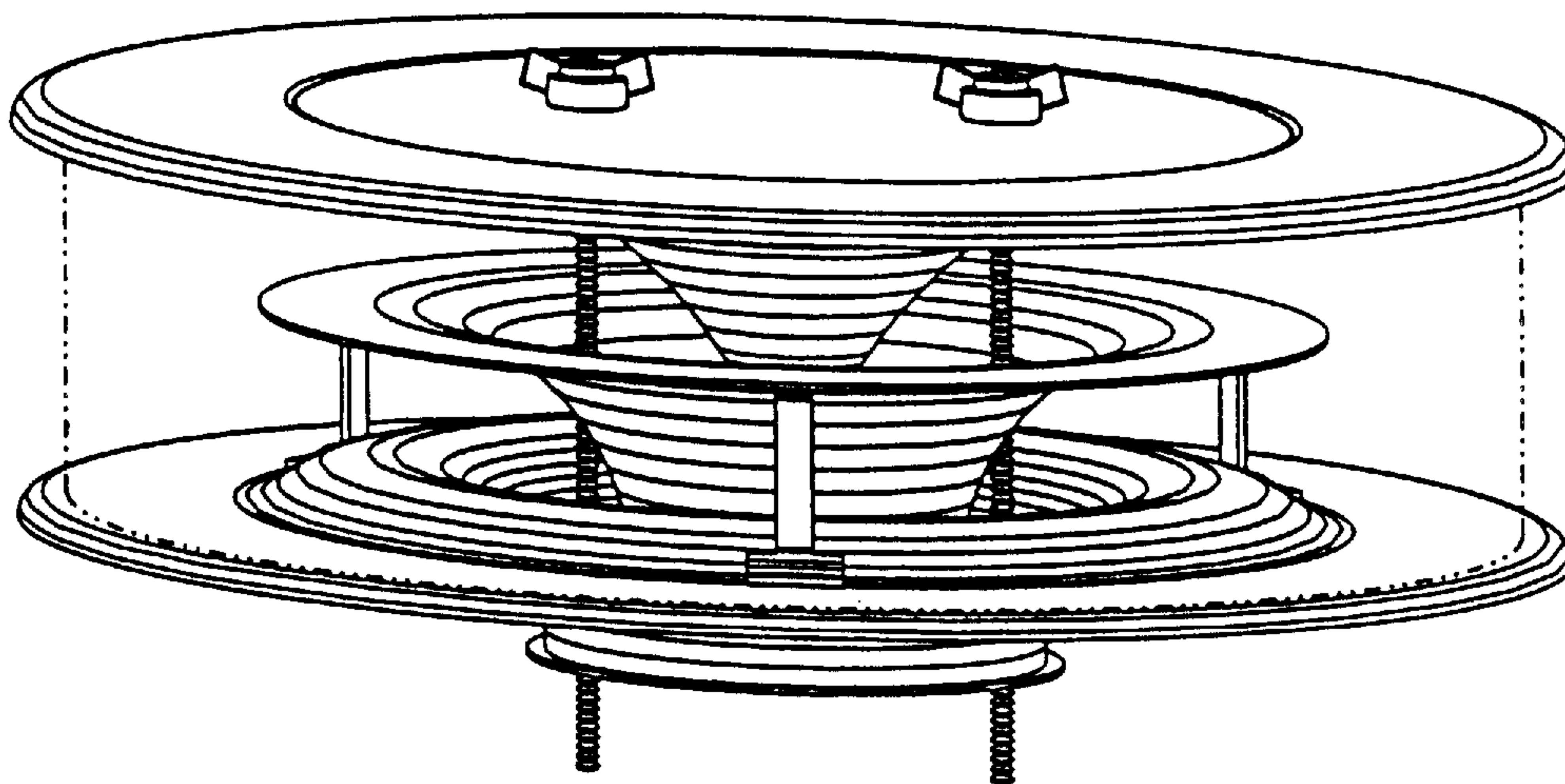
DESCRIPTION

FIG. 1 is an exploded perspective view of an air cleaner showing my new design;

FIG. 2 is a partially exploded perspective view thereof; FIG. 3 is an enlarged assembled perspective view thereof; FIG. 4 is an assembled side view thereof, the opposite side being a mirror image of that shown; FIG. 5 is an assembled top view thereof; FIG. 6 is an assembled bottom plan view thereof; FIG. 7 is a bottom perspective view of the top subassembly of the air cleaner shown separately for clarity of illustration; FIG. 8 is a top perspective view of FIG. 7; FIG. 9 is a side view of FIG. 7, the opposite side being a mirror image of that shown; FIG. 10 is a top perspective view of the bottom subassembly of the air cleaner shown separately for clarity of illustration; FIG. 11 is a top plan view of FIG. 10; FIG. 12 is a bottom perspective view of FIG. 10; FIG. 13 is a side view of FIG. 10; FIG. 14 is a top perspective view of FIG. 10; FIG. 15 is a bottom perspective view of FIG. 10; FIG. 16 is an enlarged top perspective view of the deflector portion of the air cleaner shown separately for clarity of illustration; and, FIG. 17 is a greatly enlarged perspective view of the spacer portion of the air cleaner shown separately for clarity of illustration.

The broken-line showing of environmental structure in FIGS. 1-3 is for illustrative purposes only and forms no part of the claimed design.

1 Claim, 17 Drawing Sheets



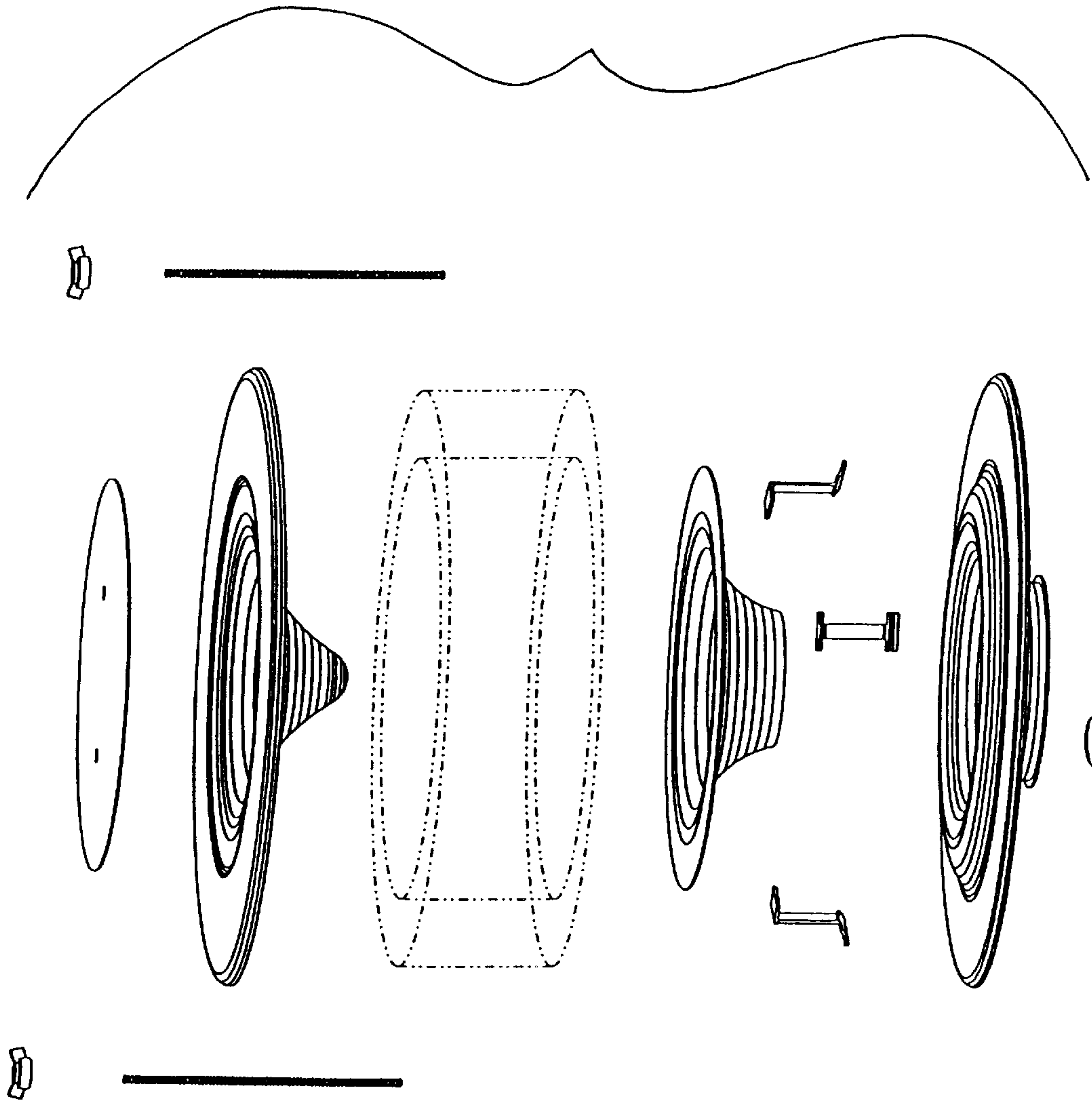


Fig. 1

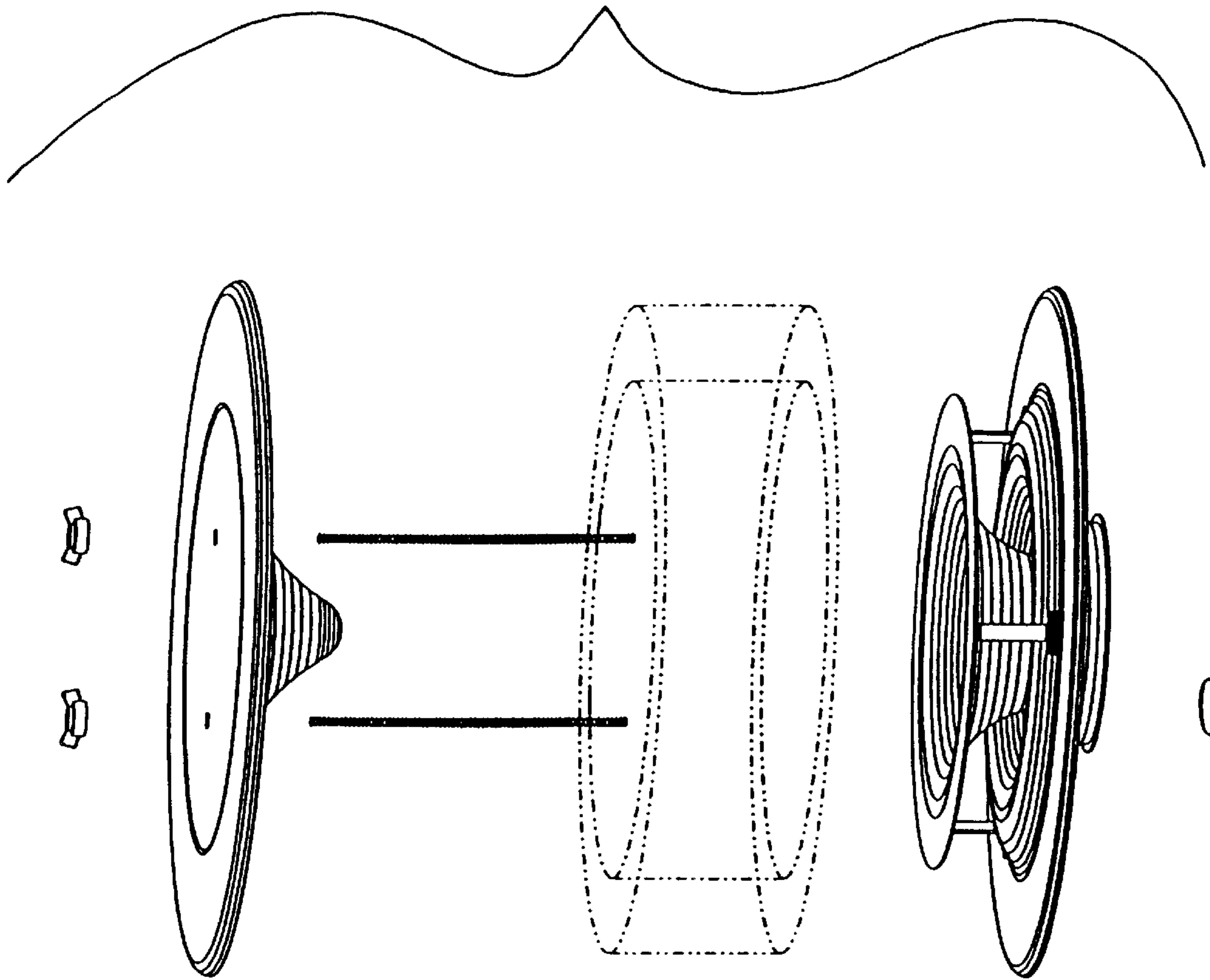


Fig. 2

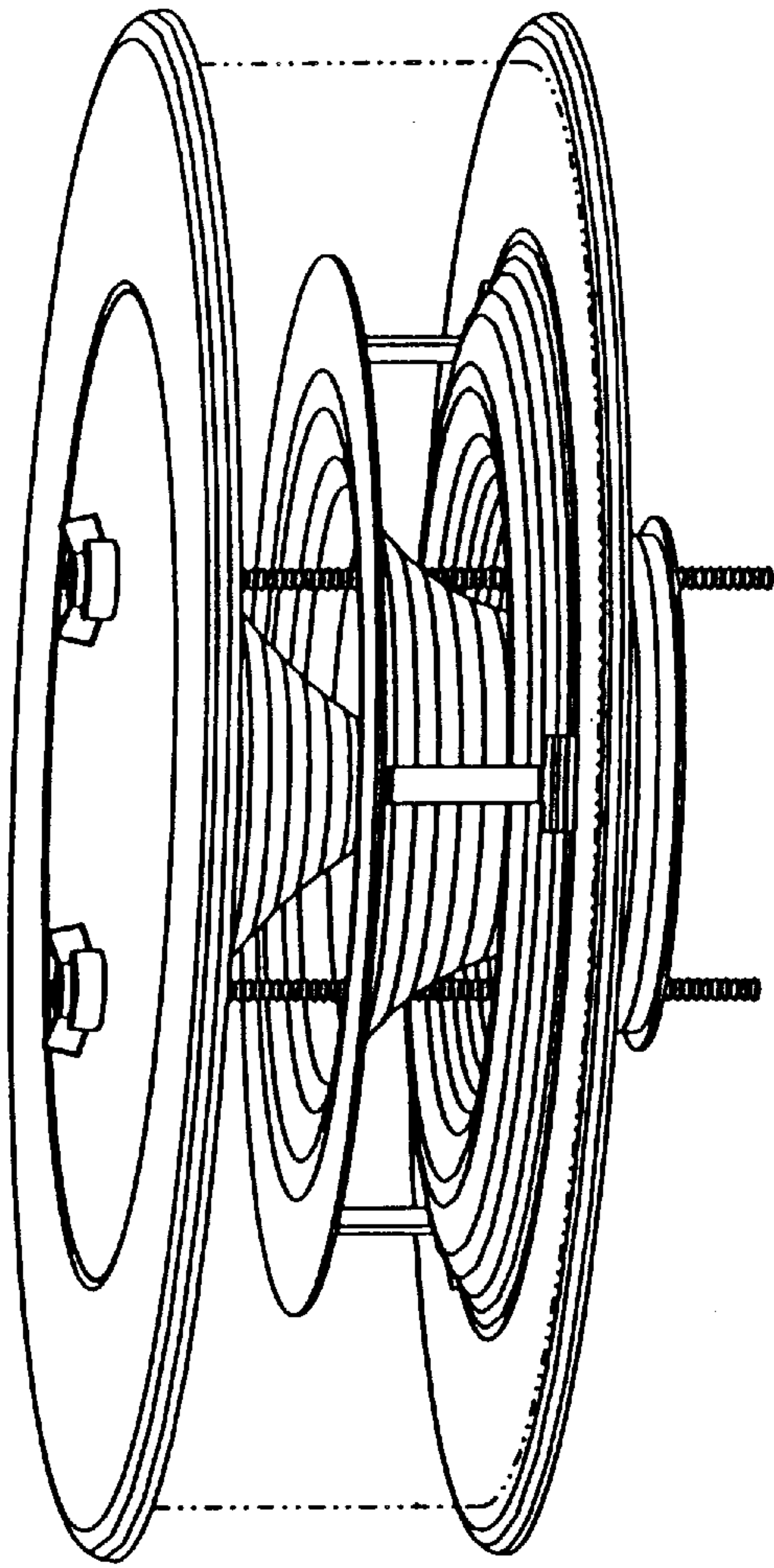


Fig. 3

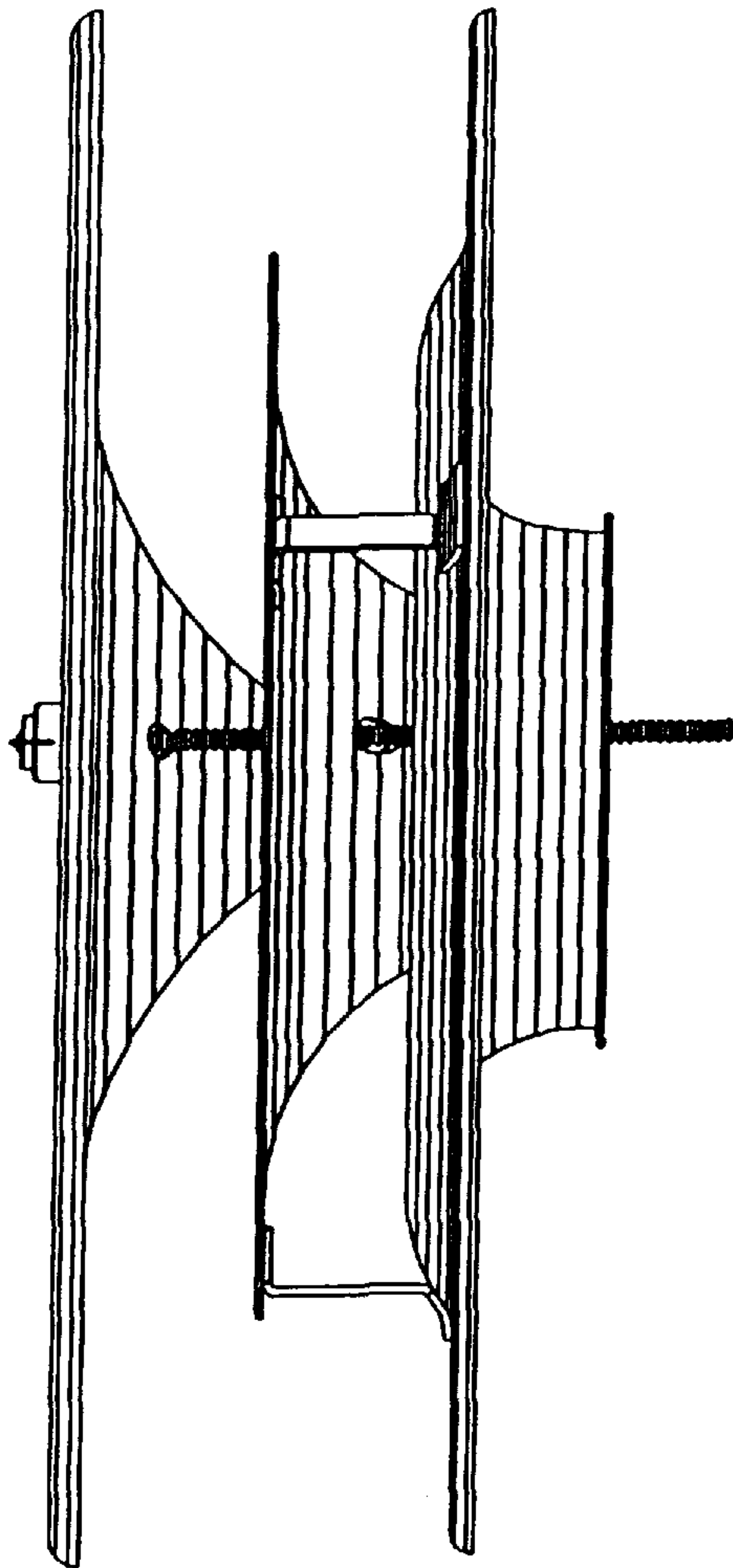


Fig. 4

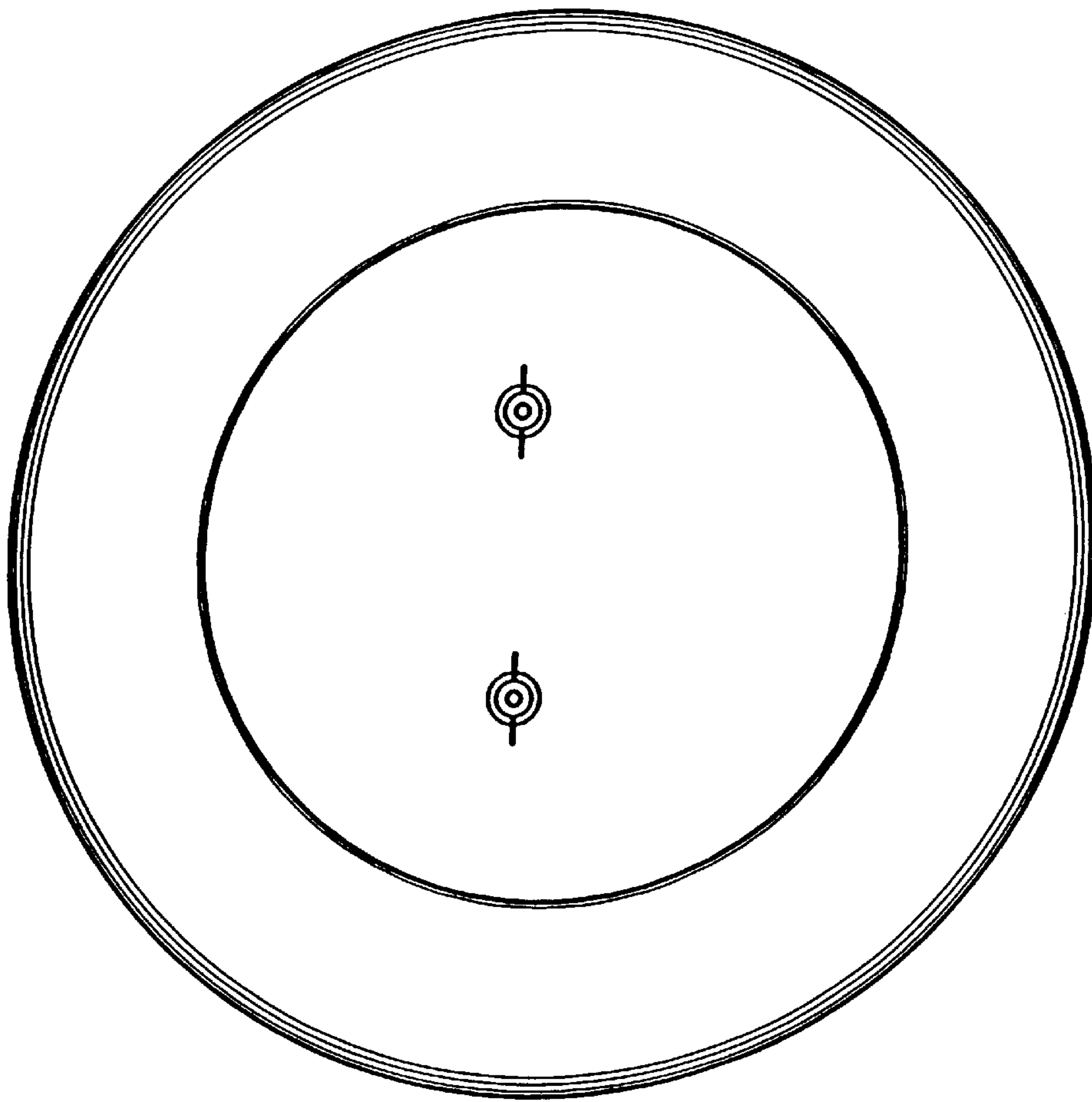


Fig. 5

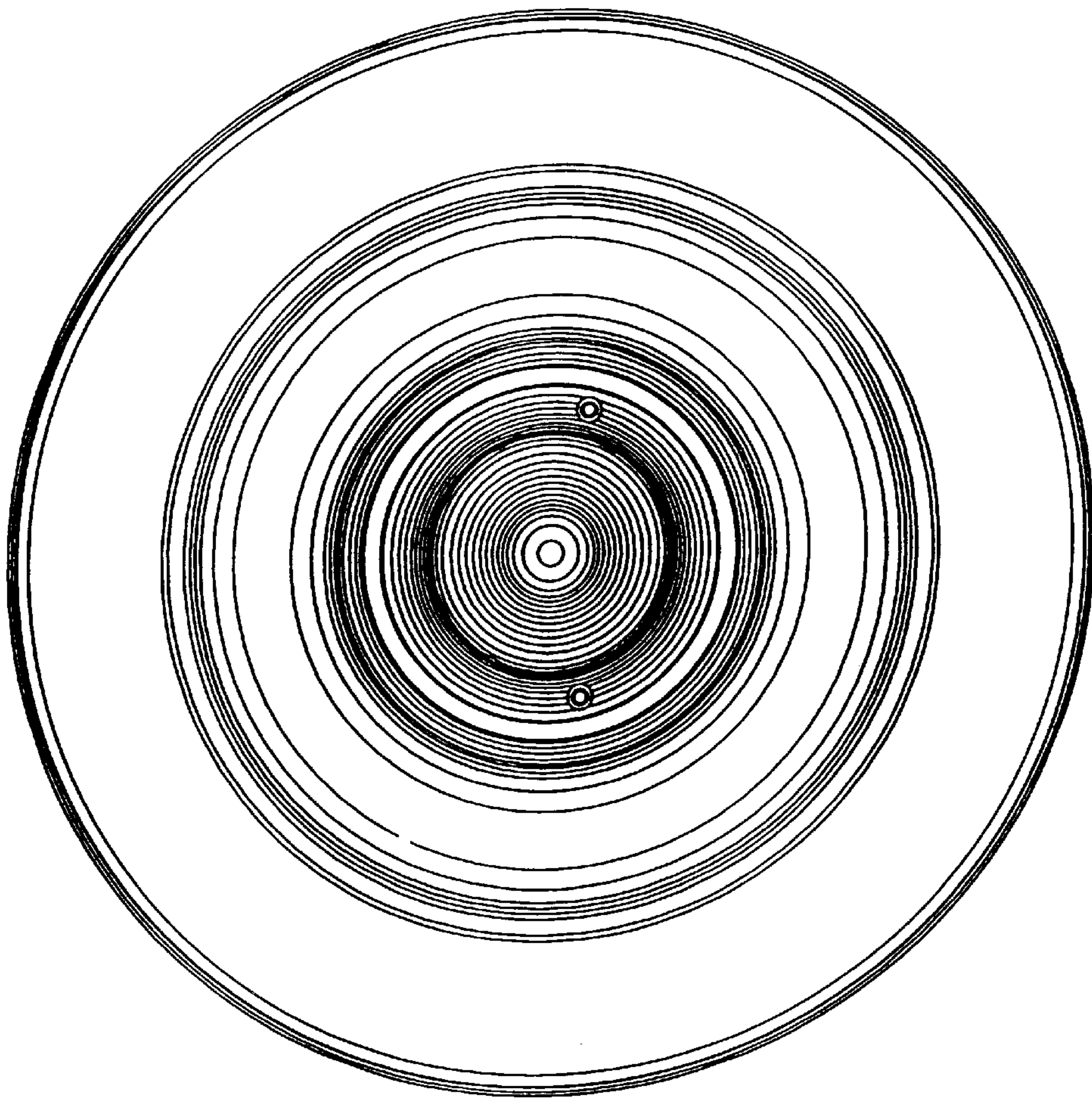


Fig. 6

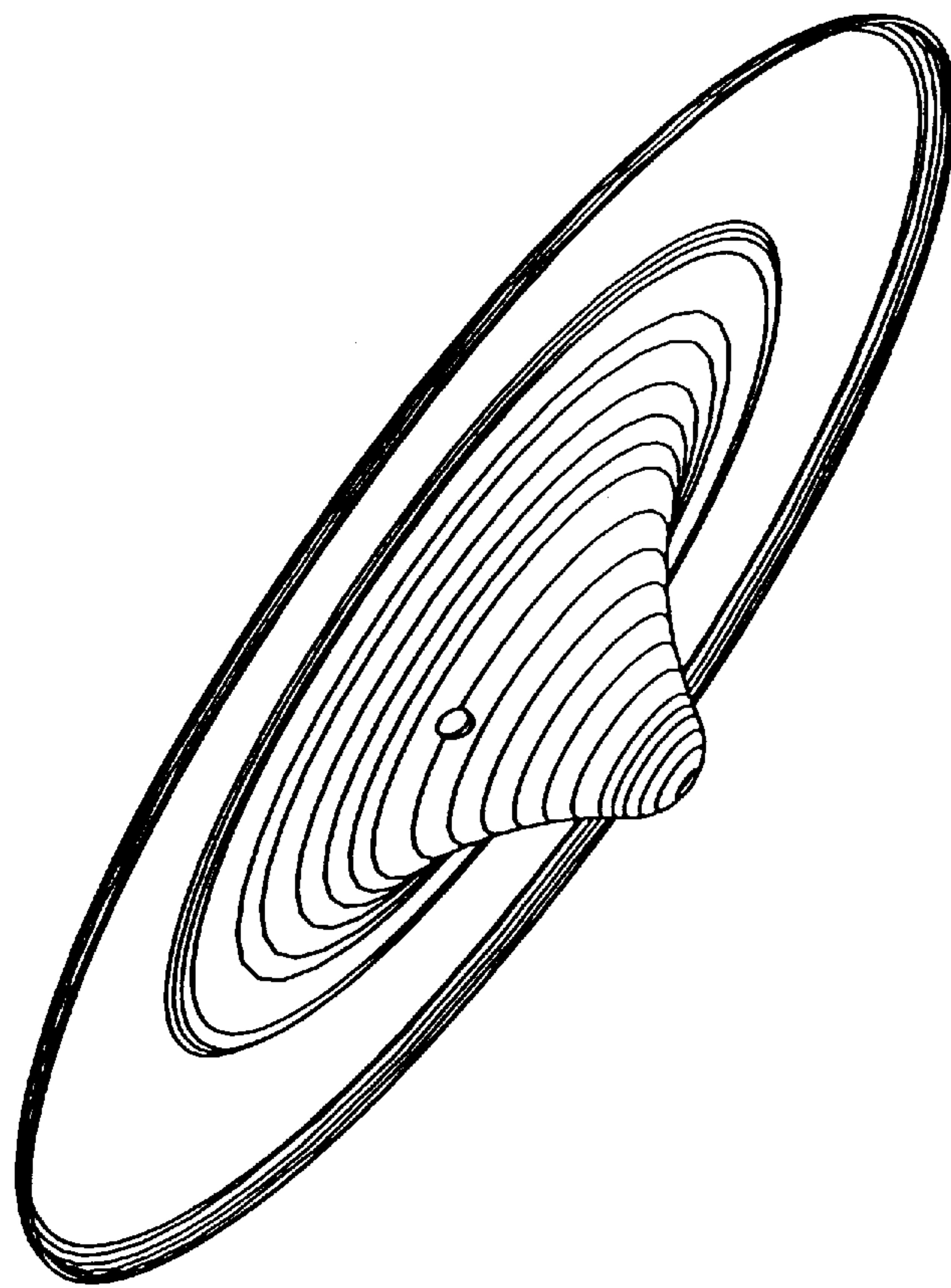


Fig. 7

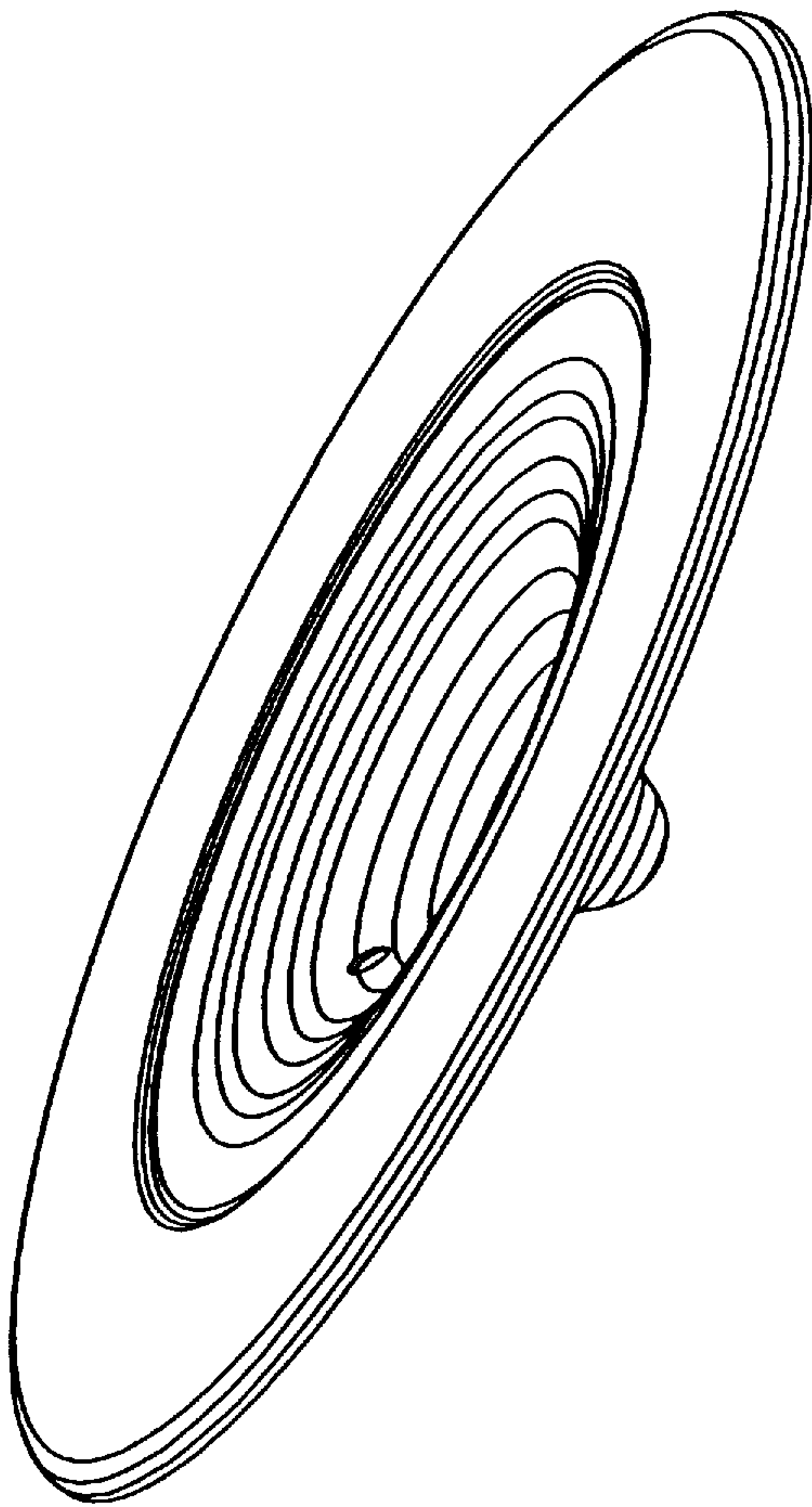


Fig. 8

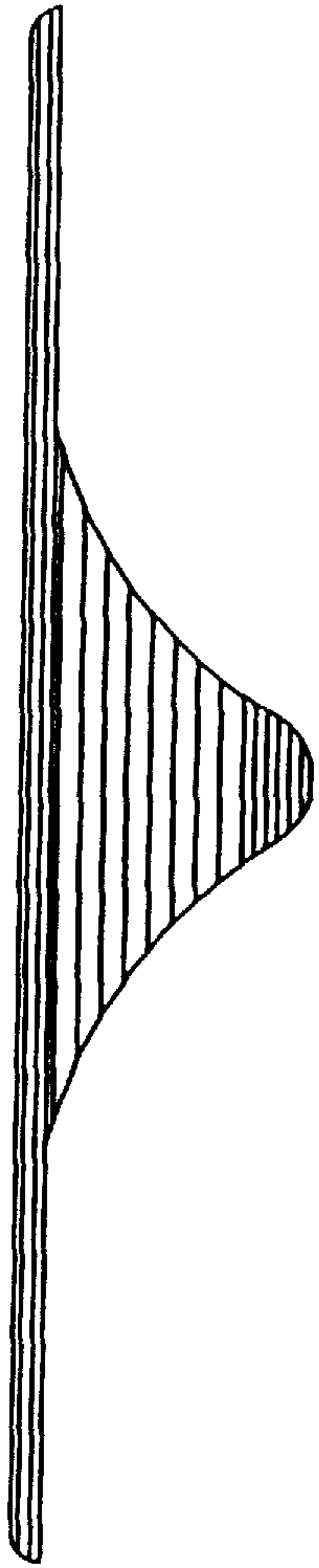


Fig. 9

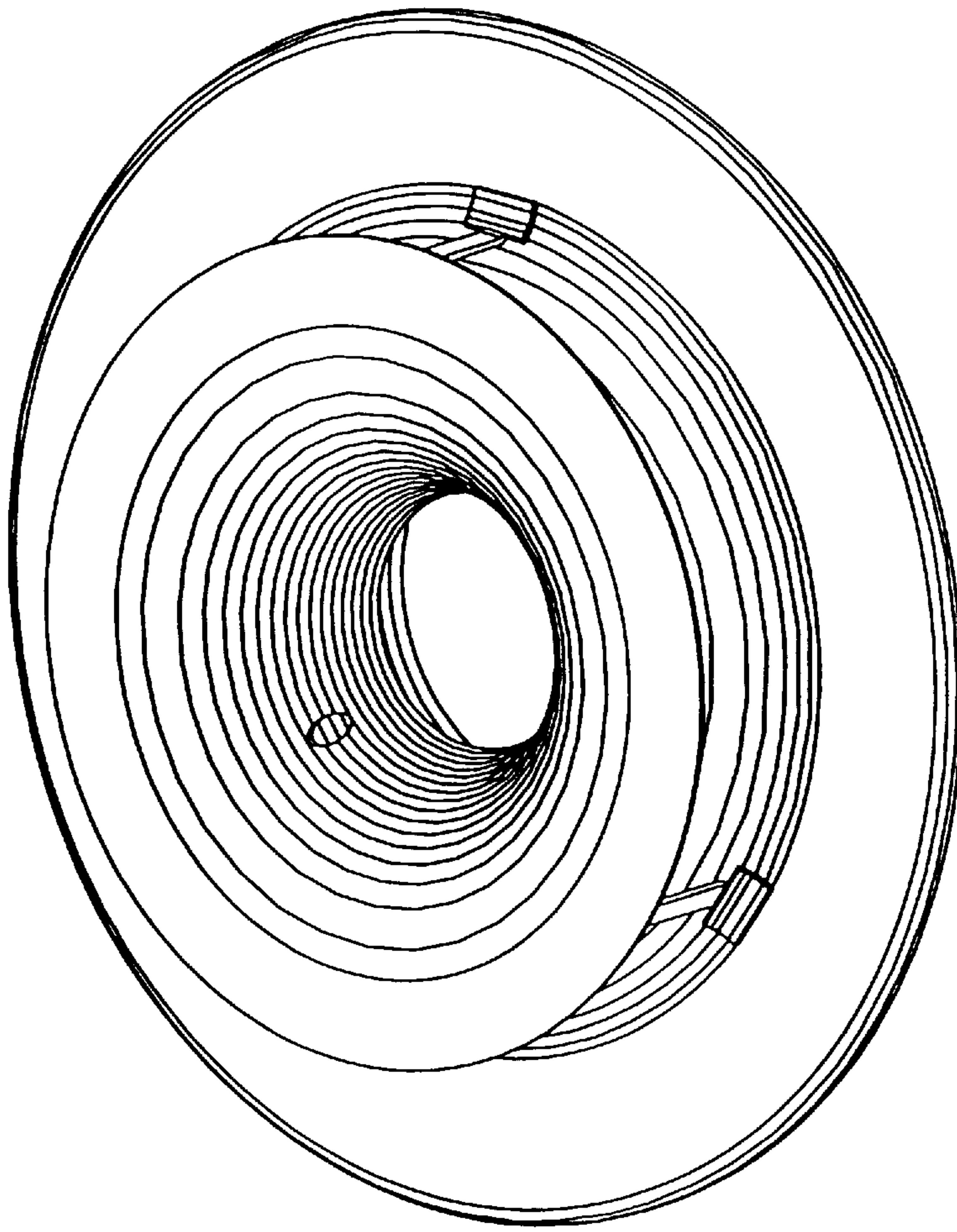


Fig. 10

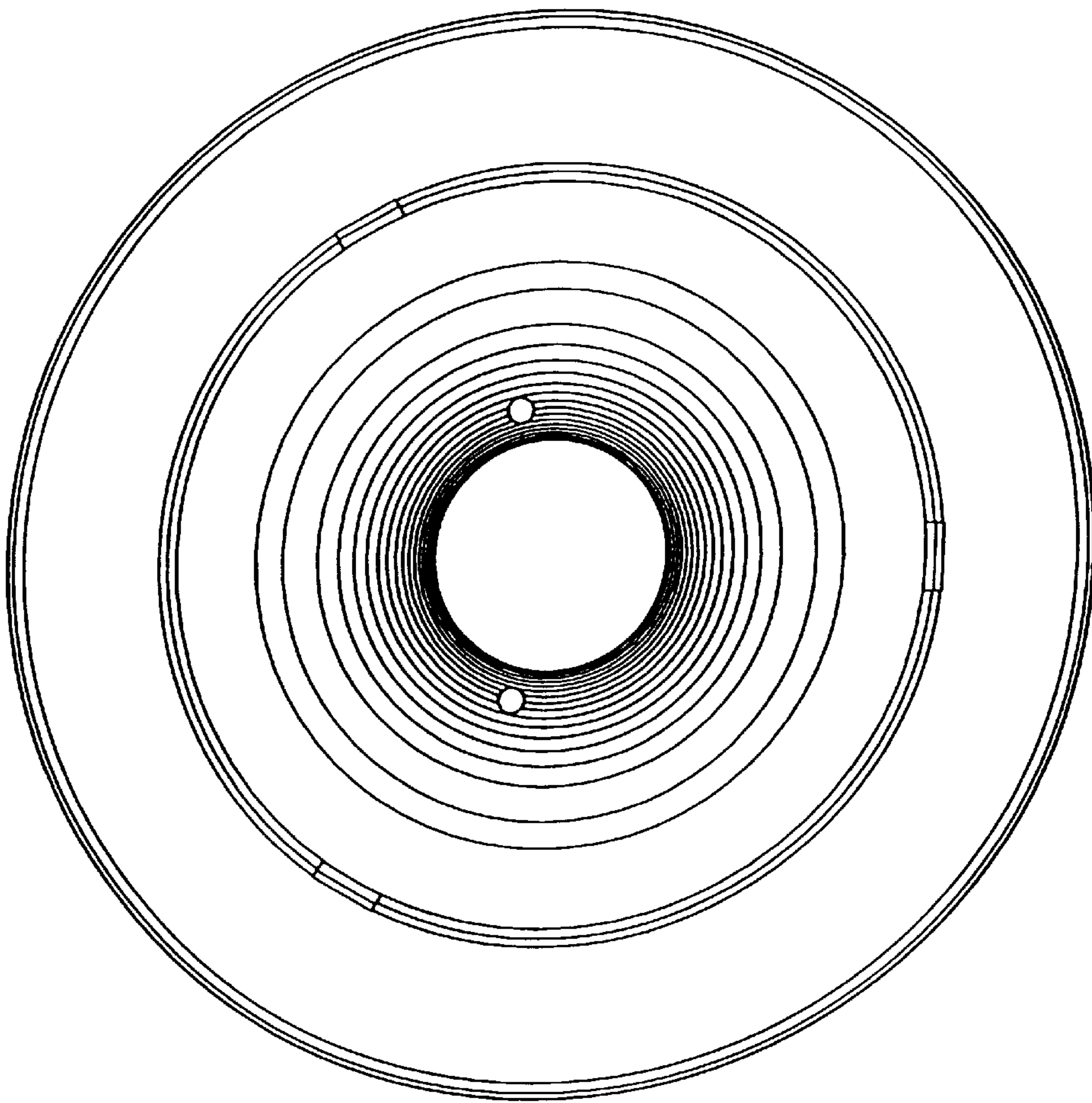


Fig. 11

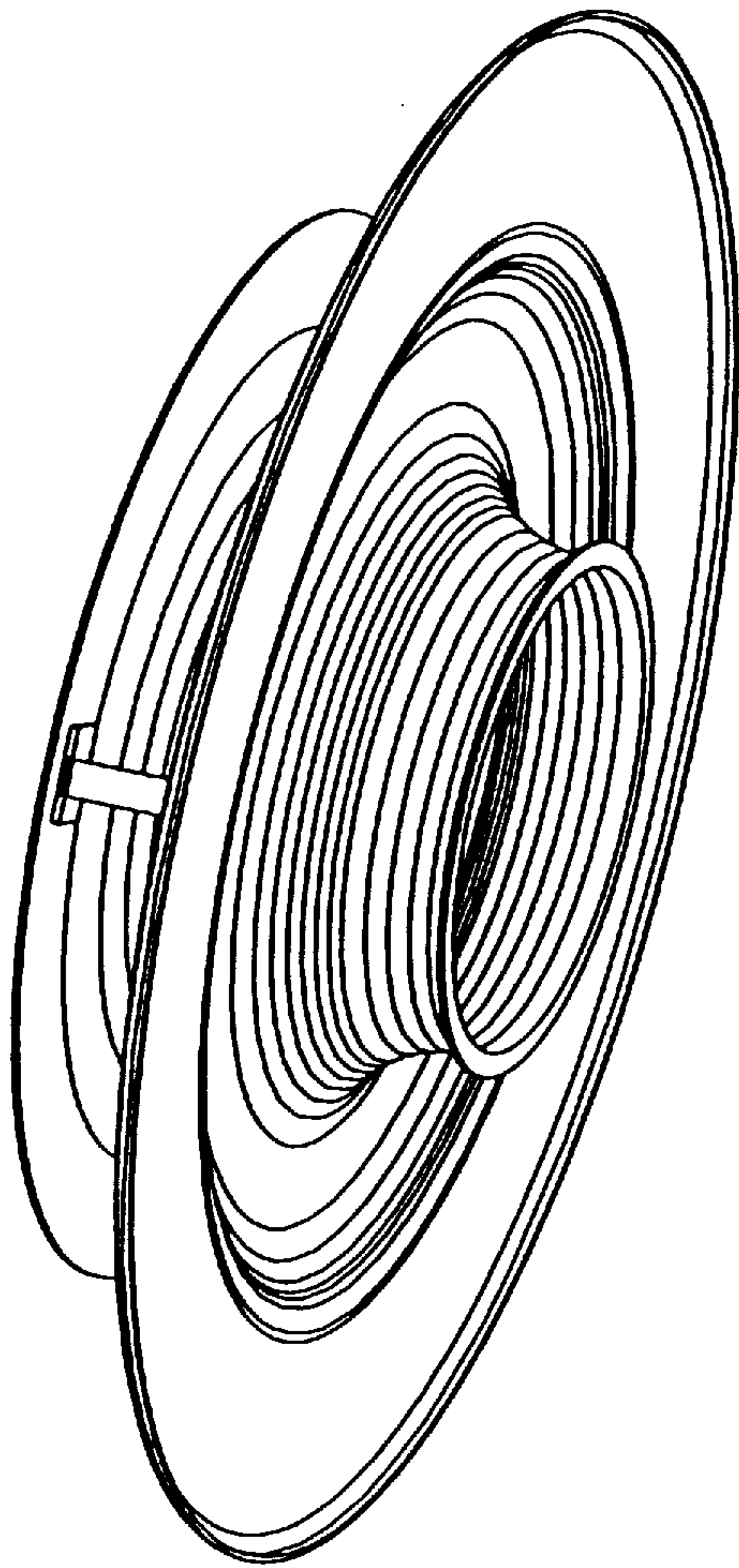


Fig. 12

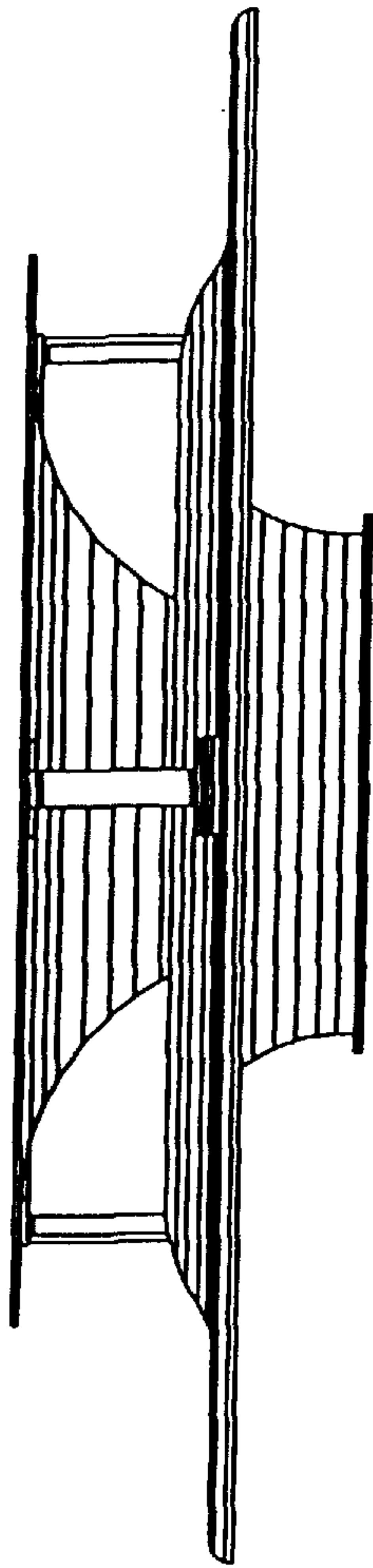


Fig. 13

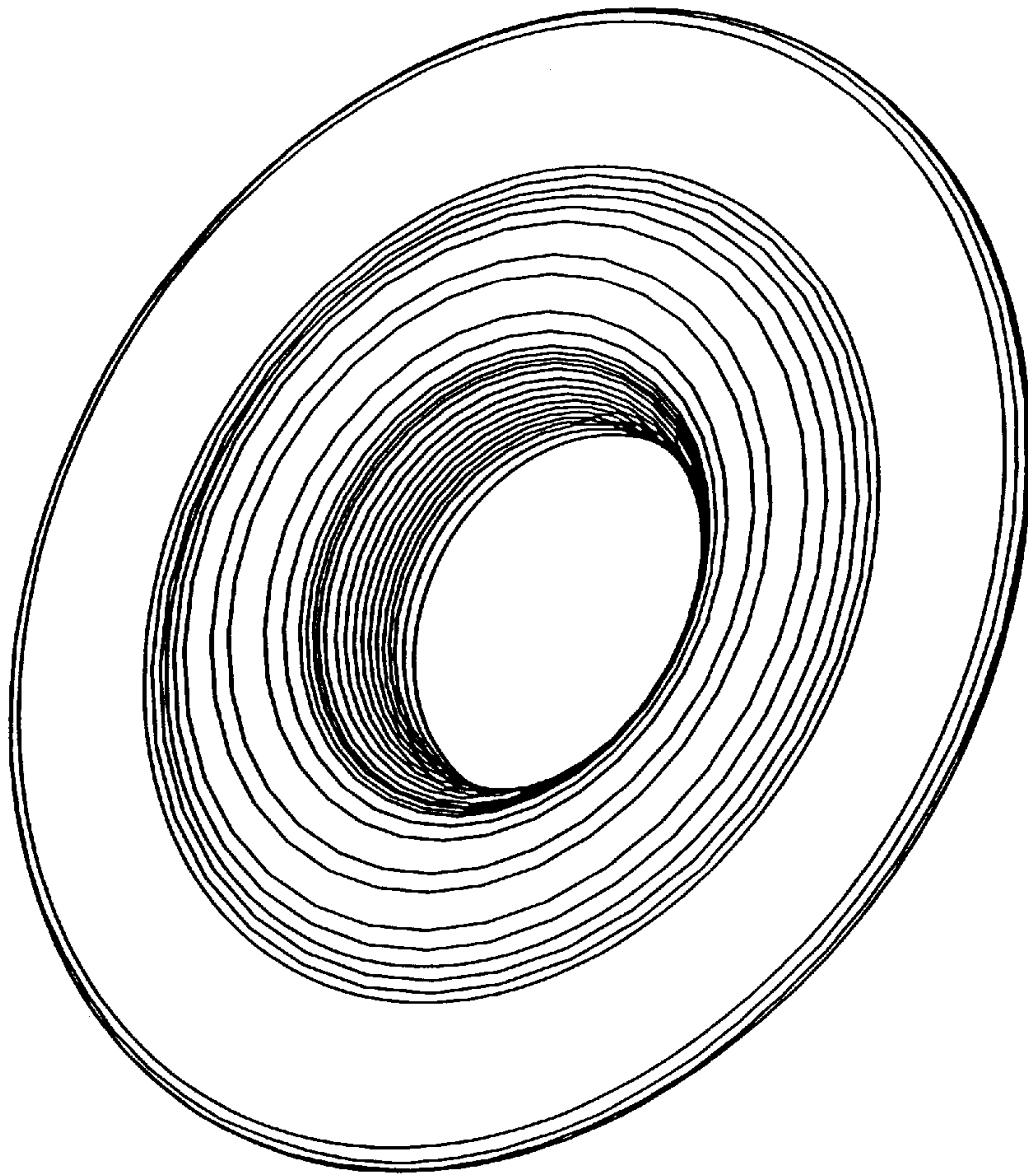


Fig. 14

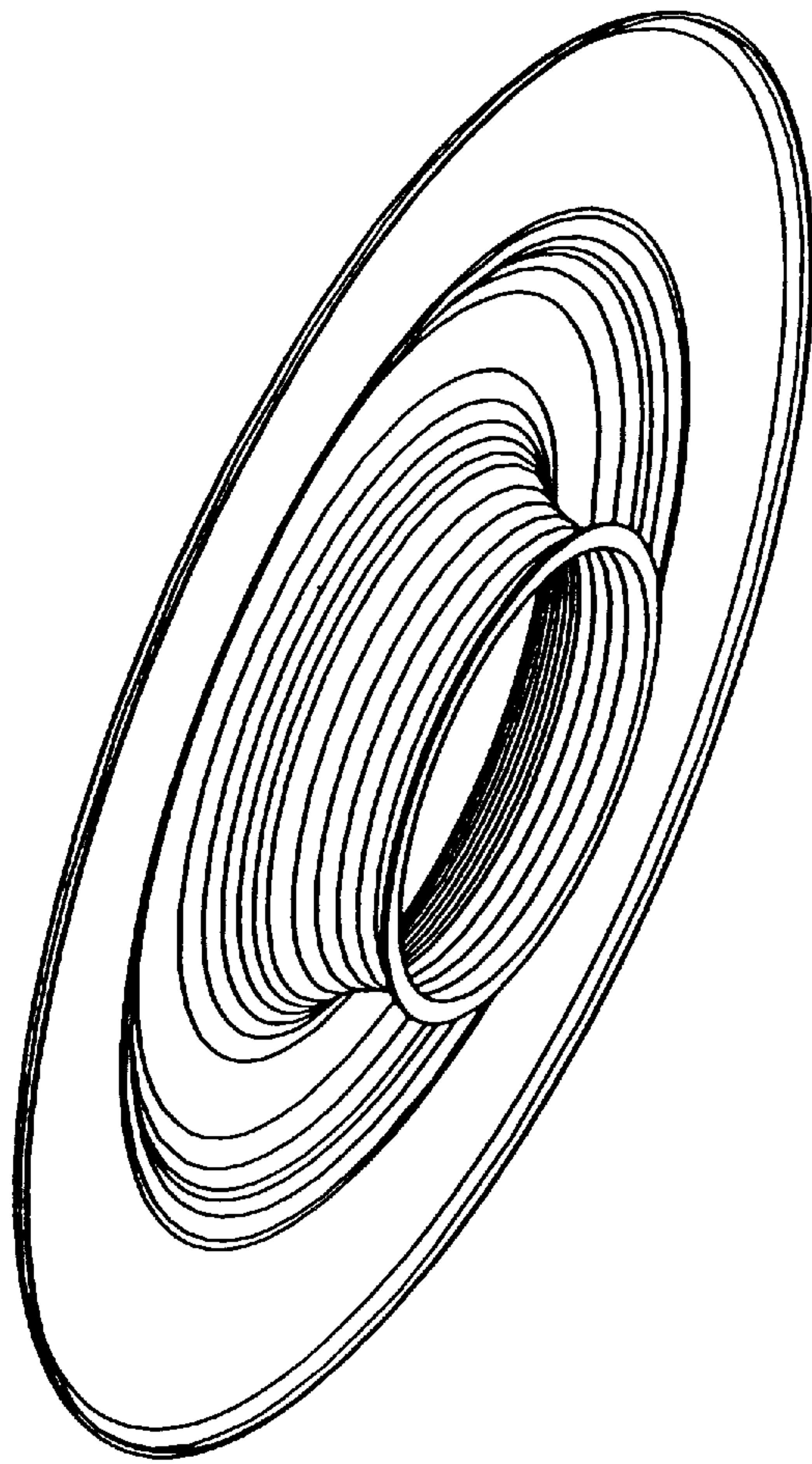


Fig. 15

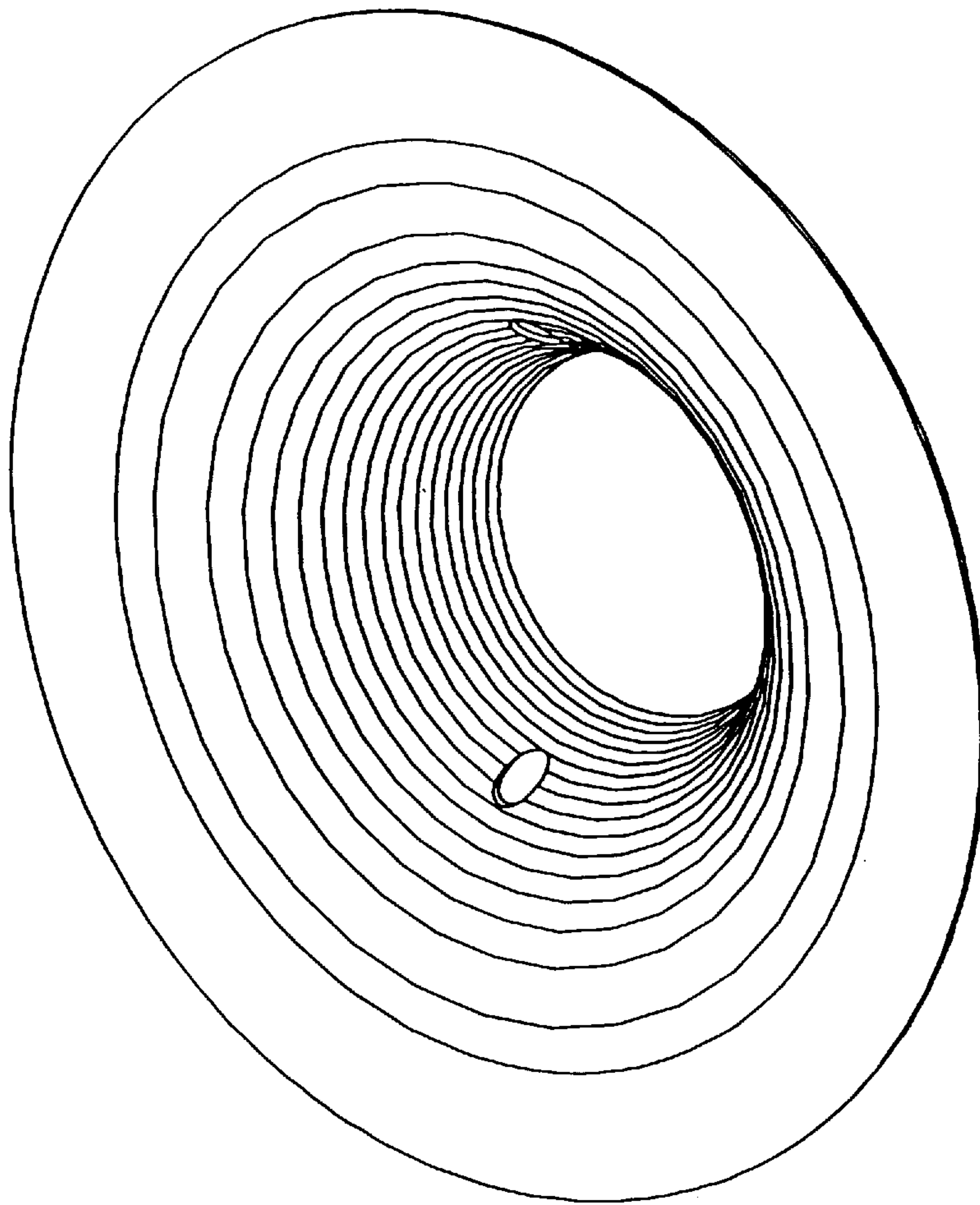


Fig. 16

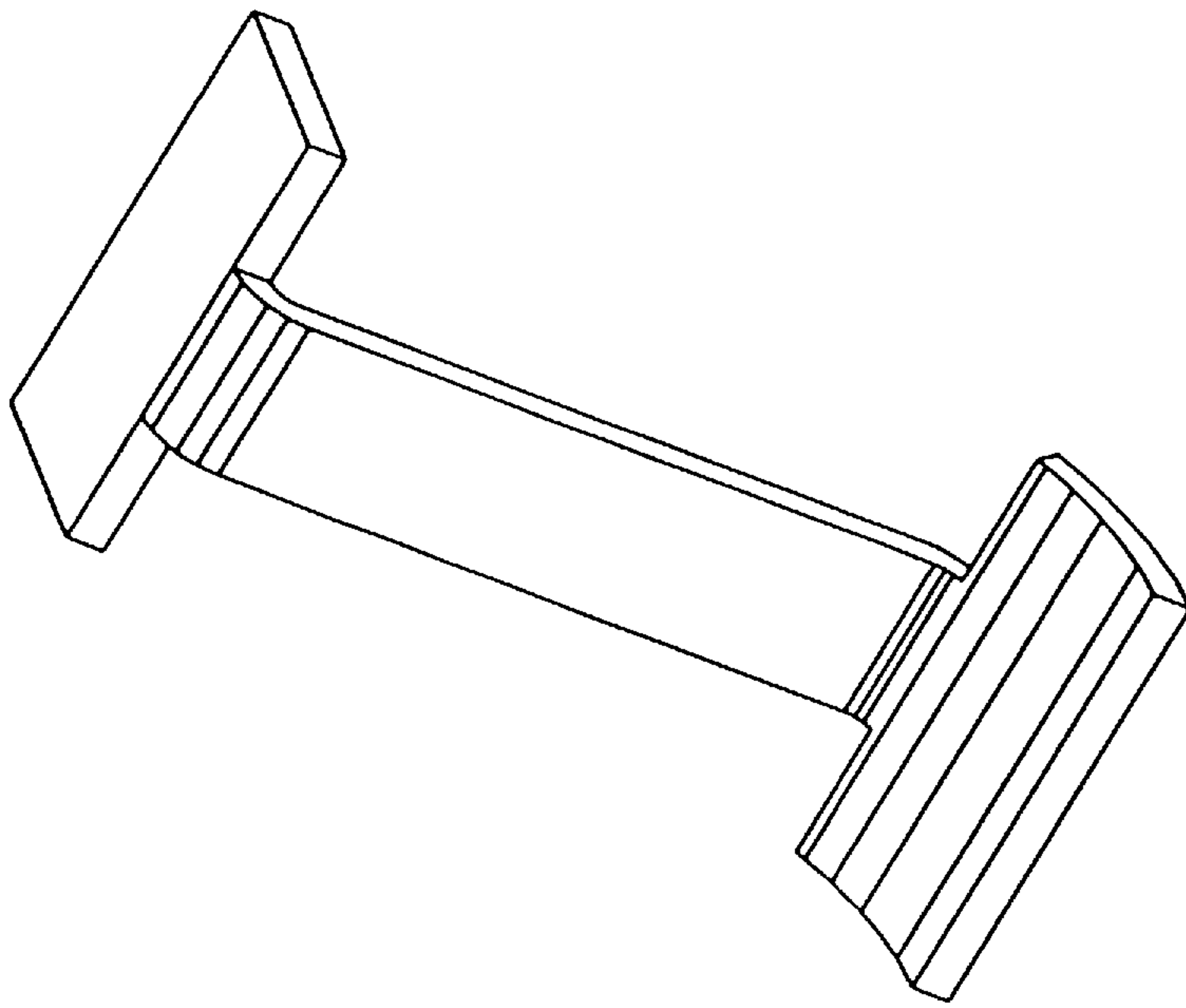


Fig. 17