



US00D401682S

United States Patent [19]

Galeazzi et al.

[11] Patent Number: **Des. 401,682**

[45] Date of Patent: ****Nov. 24, 1998**

[54] **CEILING MOUNTED AIR CONDITIONING APPARATUS**

D. 330,585 10/1992 Saito et al. D23/351
D. 331,458 12/1992 Saito et al. D23/351

[75] Inventors: **Giuliano Galeazzi**, Velate; **Roberto Aliprandi**, Villasanta; **Giorgio Rusignuolo**, Vedano Al Lambro; **Gianluca Vecchi**, Monza, all of Italy

Primary Examiner—Lisa Lichtenstein

[73] Assignee: **Carrier Corporation**, Syracuse, N.Y.

[57] **CLAIM**

The ornamental design for ceiling mounted air conditioning apparatus, as shown and described.

[**] Term: **14 Years**

DESCRIPTION

[21] Appl. No.: **78,781**

FIG. 1 is a perspective view of the ceiling mounted air conditioning apparatus;

[22] Filed: **Oct. 31, 1997**

FIG. 2 is a plan view of the ceiling mounted air conditioning apparatus; and,

[51] **LOC (6) Cl.** **23-04**

FIG. 3 is an elevational view of one of the four symmetrical sides of the ceiling mounted air conditioning apparatus.

[52] **U.S. Cl.** **D23/351; D23/354**

[58] **Field of Search** D23/351-354;
62/DIG. 16; 454/234, 233

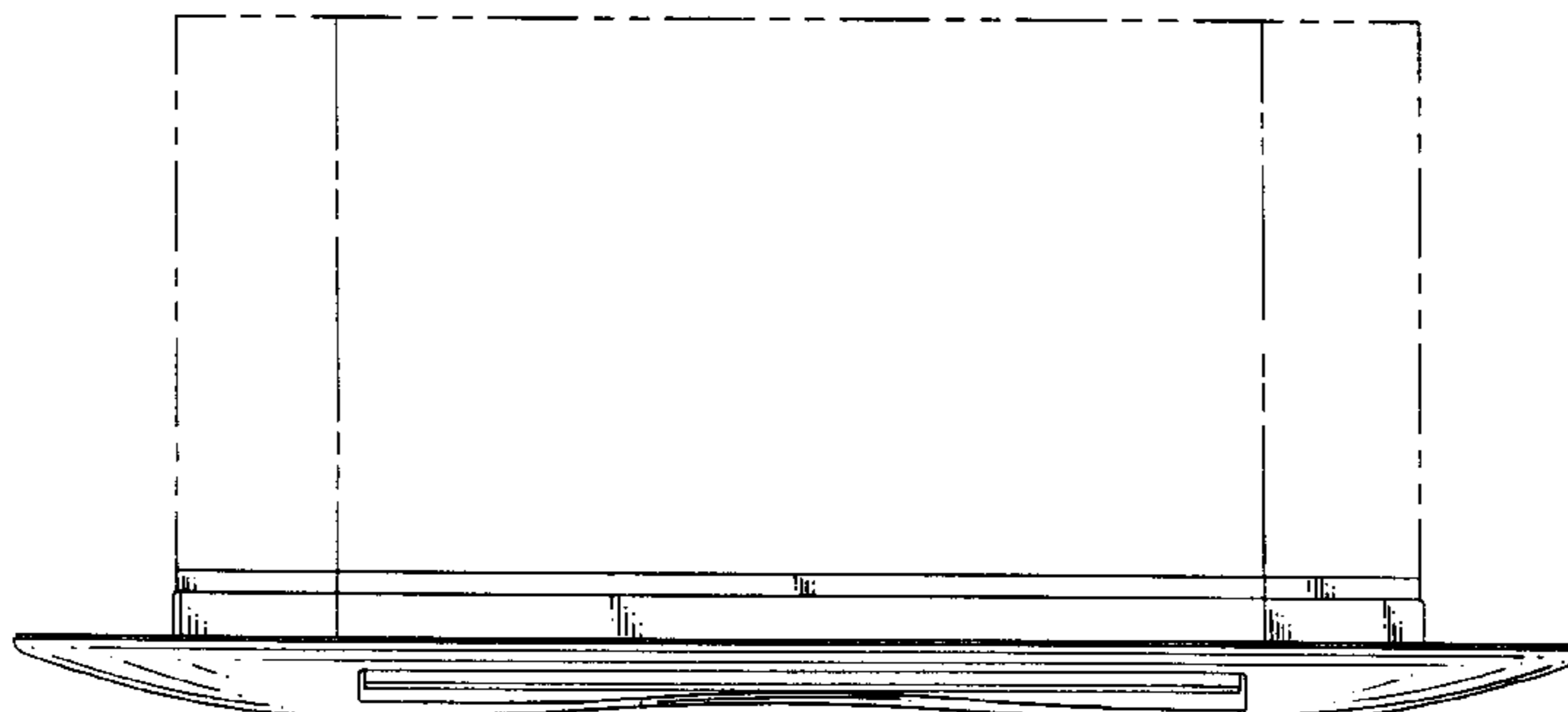
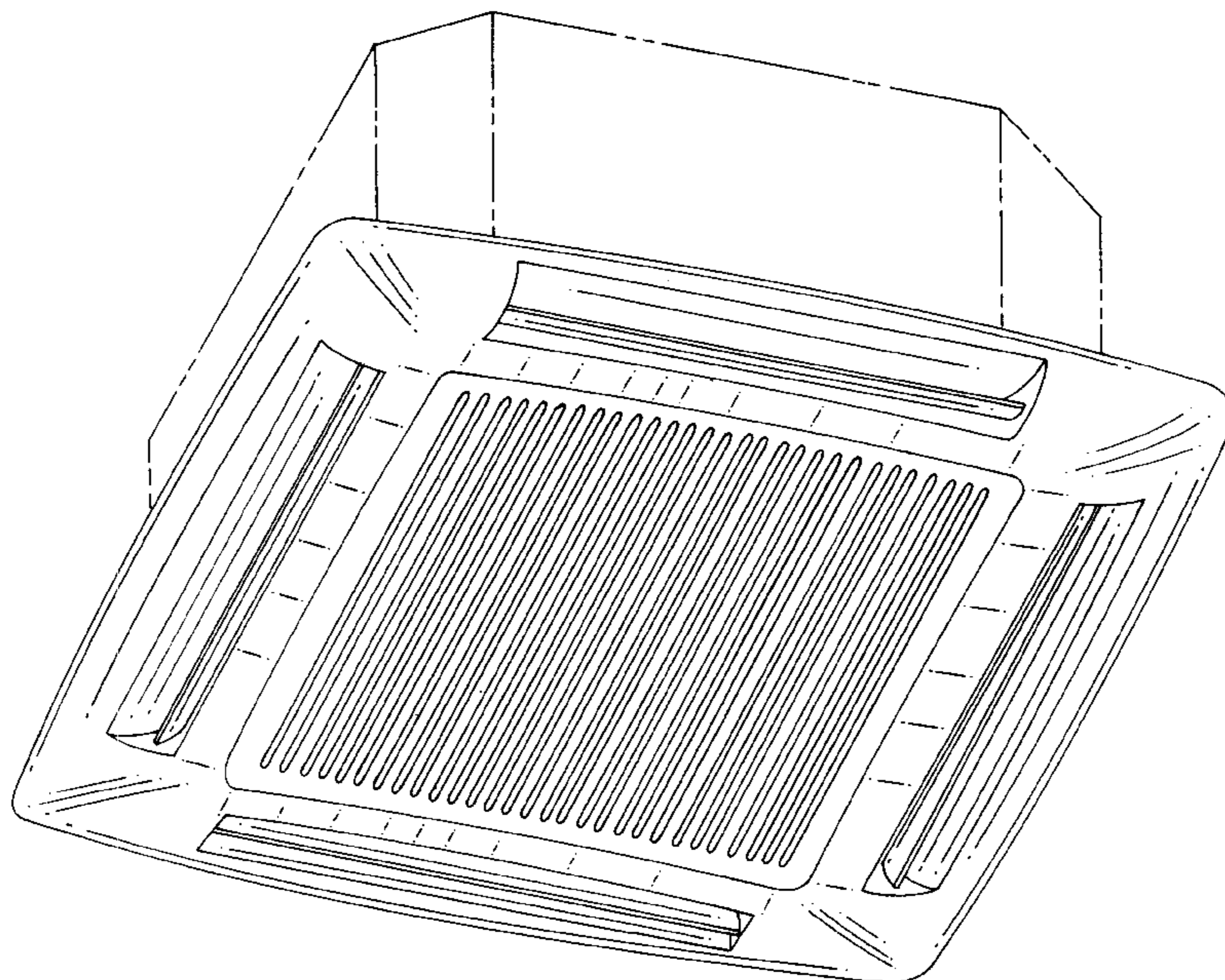
The broken-line showing of environmental structure in FIGS. 1 and 3 is for illustrative purposes only and forms no part of the claimed design.

[56] **References Cited**

U.S. PATENT DOCUMENTS

D. 323,209 1/1992 Fukumoto et al. D23/351

1 Claim, 2 Drawing Sheets



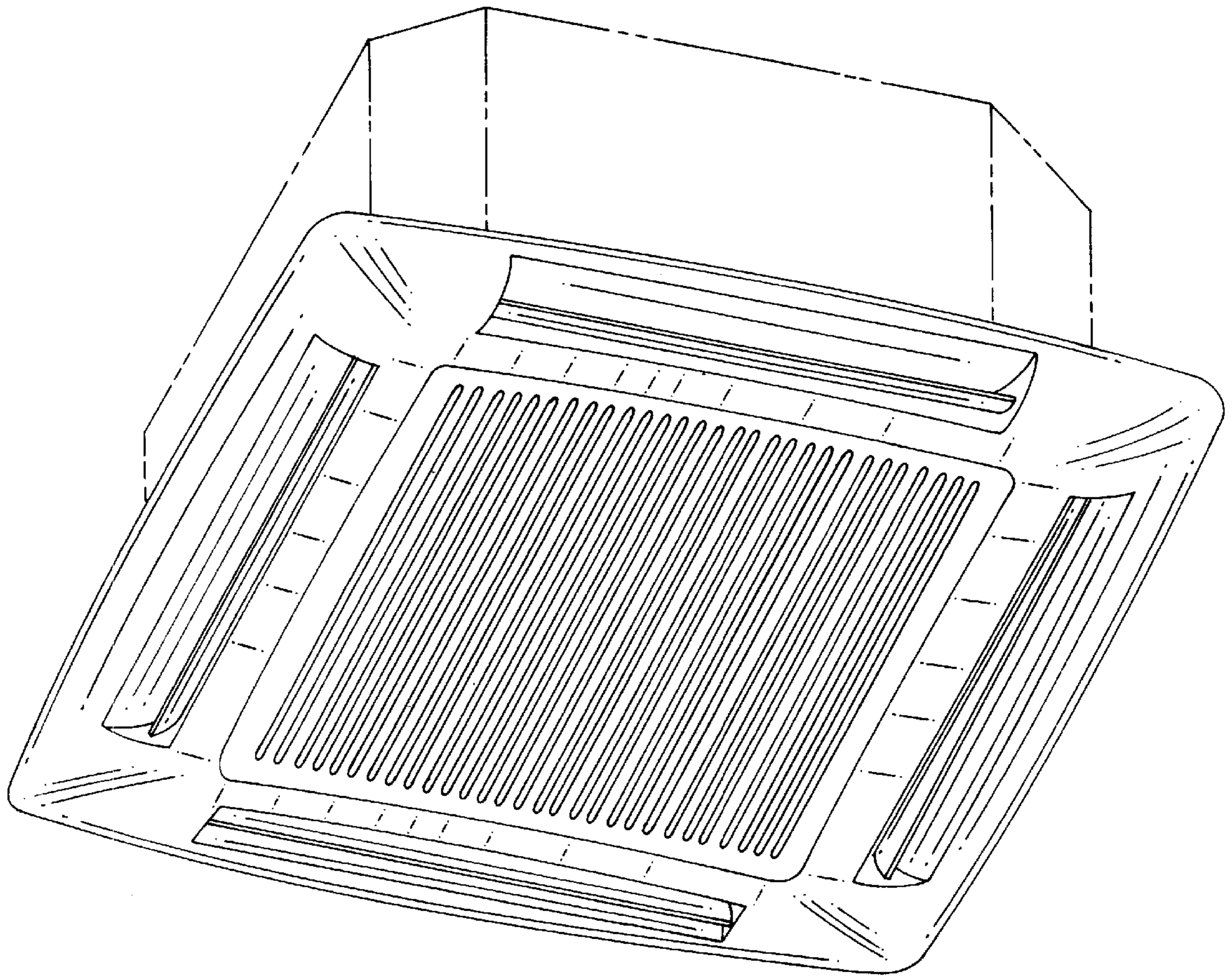


FIG. 1

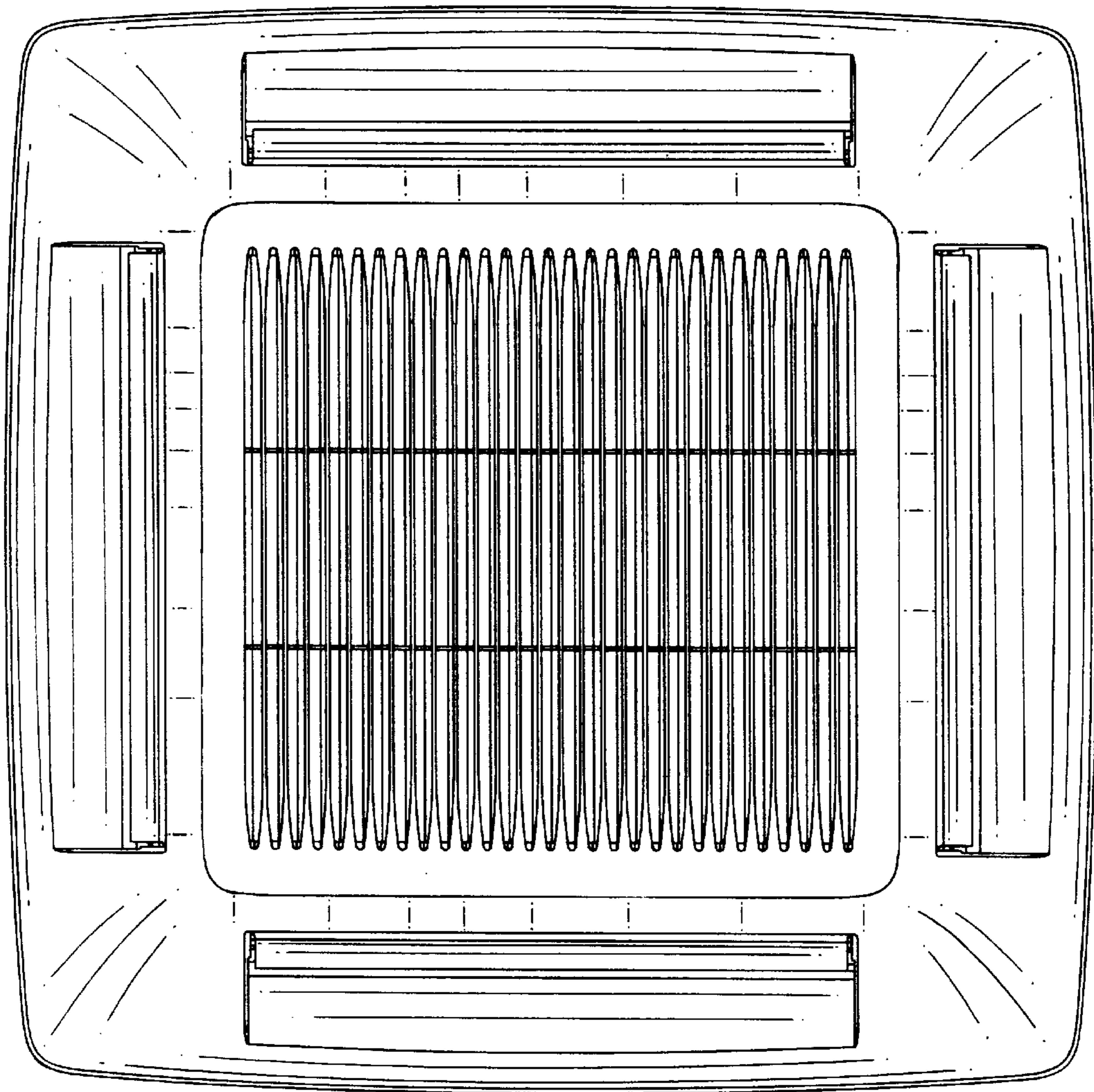


FIG. 2

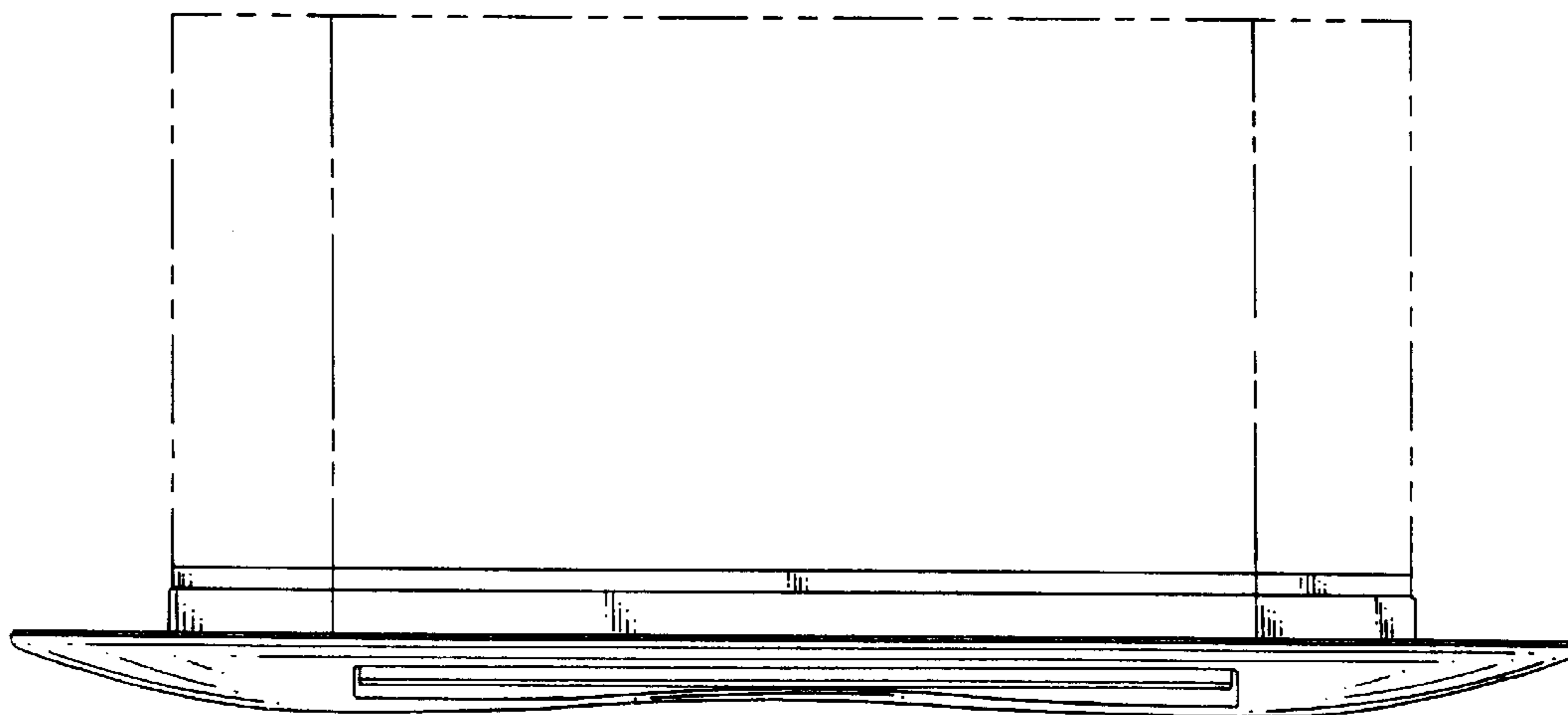


FIG. 3