



US00D401681S

United States Patent [19]
Sorimachi

[11] **Patent Number: Des. 401,681**

[45] **Date of Patent: **Nov. 24, 1998**

[54] **HOLDER OF OPENING AND CLOSING
DEVICE FOR THE SEAT OR THE SEAT LID
OF A TOILET BOWL**

5,661,858 9/1997 House et al. 4/667
5,664,286 9/1997 Sorimachi 4/248.2 X

[75] Inventor: **Akira Sorimachi**, Kanagawa, Japan

Primary Examiner—Louis S. Zarfaz
Assistant Examiner—Eric Watterson
Attorney, Agent, or Firm—Notaro & Michalos P.C.

[73] Assignee: **Katoh Electrical Machinery Co., Ltd.**,
Kanagawa, Japan

[**] Term: **14 Years**

[57] **CLAIM**

[21] Appl. No.: **66,586**

The ornamental design for a holder of opening and closing device for the seat or the seat lid of a toilet bowl, as shown and described.

[22] Filed: **Feb. 13, 1997**

DESCRIPTION

[30] **Foreign Application Priority Data**

Aug. 30, 1996 [JP] Japan 8-25934

FIG. 1 is a side elevational view of a holder for an opening and closing device for the seat or the seat lid of a toilet bowl; FIG. 2 is a top plan view thereof; FIG. 3 is a bottom plan view thereof; FIG. 4 is a side elevational view thereof, the opposite side being an identical mirror image of FIG. 4; FIG. 5 is a front, top, side perspective view thereof; FIG. 6 is a sectional view taken along line 6—6 of FIG. 1, submitted to help show the contour of the present design; FIG. 7 is a sectional view taken along line 7—7 of FIG. 4, again to show the contours of the present design; and, FIG. 8 is a sectional view taken along line 8—8 of FIG. 1 to help show the contours of the present design.

[51] **LOC (6) Cl.** **23-02**

[52] **U.S. Cl.** **D23/311**

[58] **Field of Search** D23/233–237,
D23/244–249, 295, 301; 4/305, 249, 313,
406, DIG. 3; 251/40, 129.03

[56] **References Cited**

U.S. PATENT DOCUMENTS

D. 352,101 11/1994 Veal D23/309
D. 380,817 7/1997 Veal D23/309
5,592,703 1/1997 Jones et al. 4/667

1 Claim, 3 Drawing Sheets

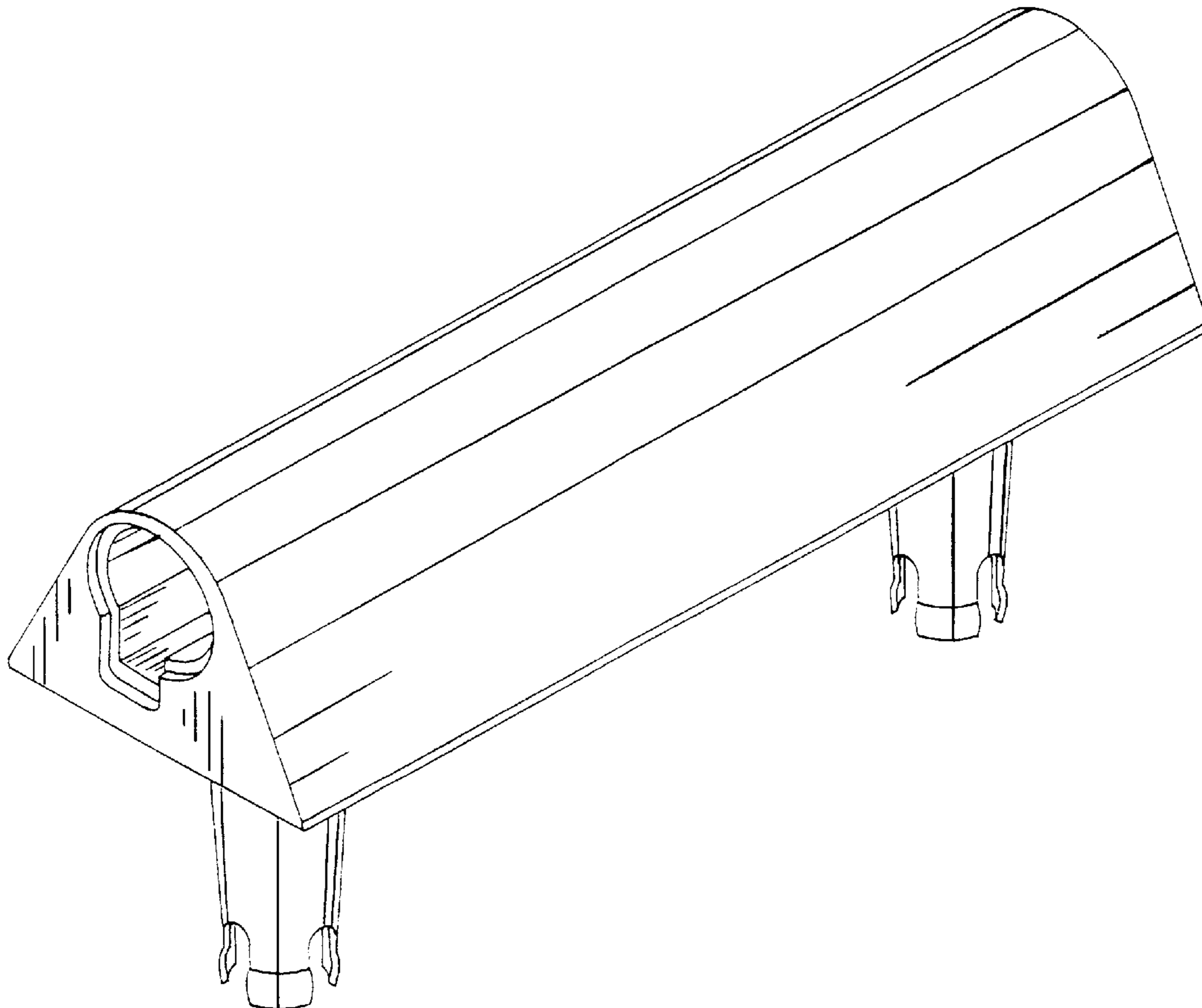


FIG. 1

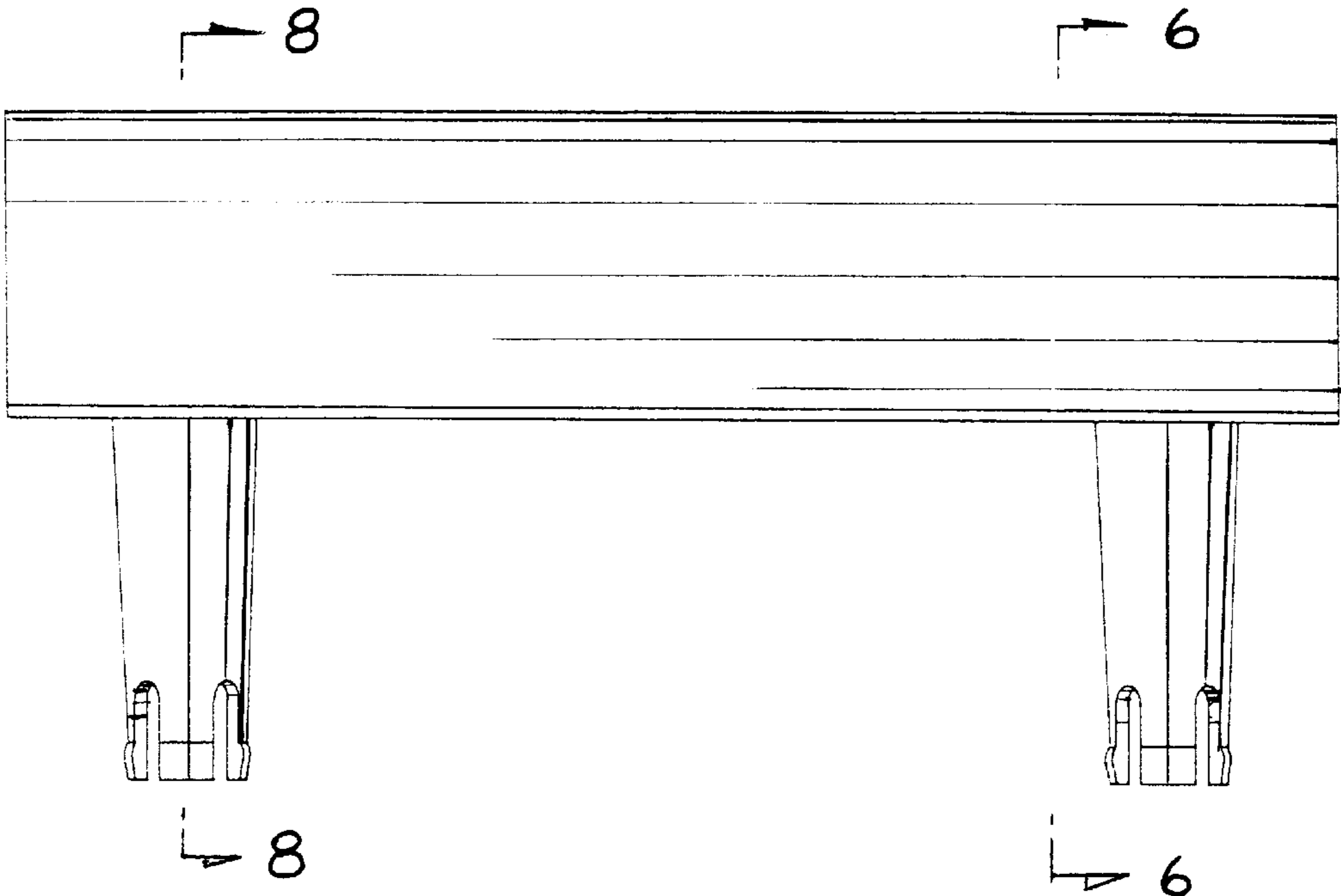


FIG. 2

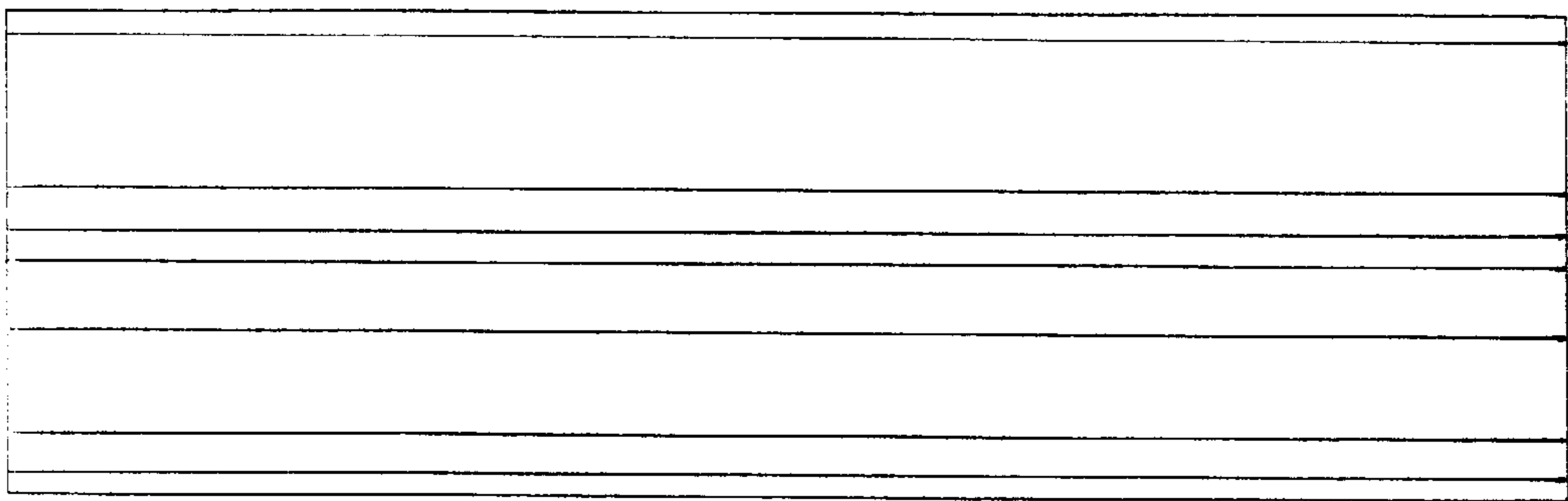


FIG. 3

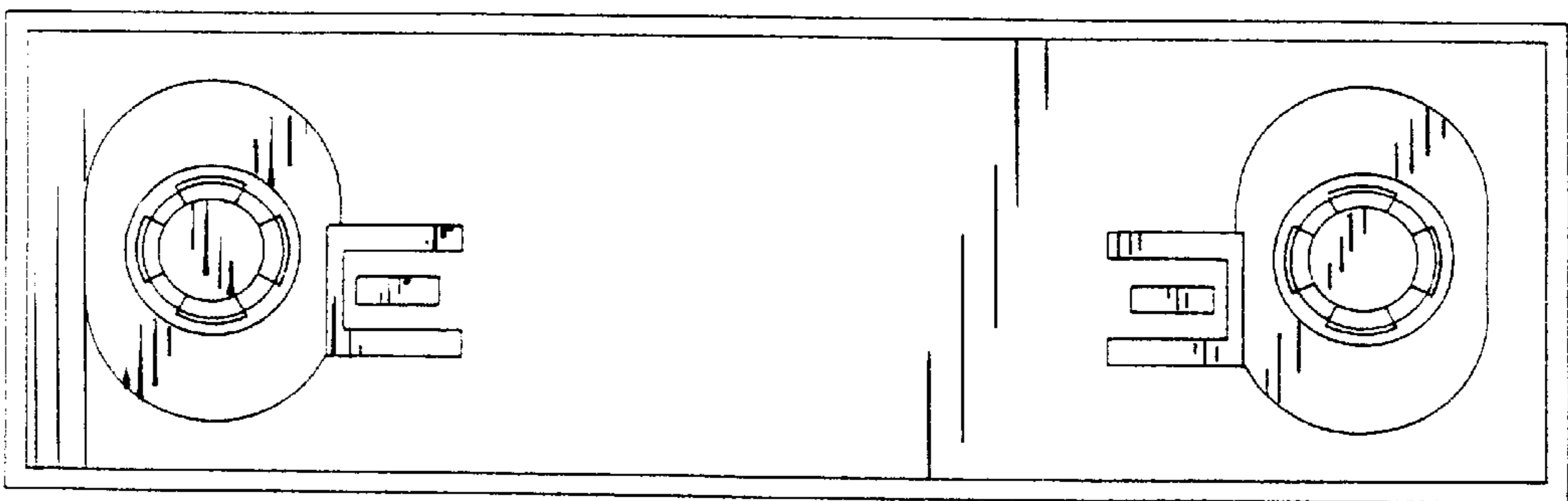


FIG. 4

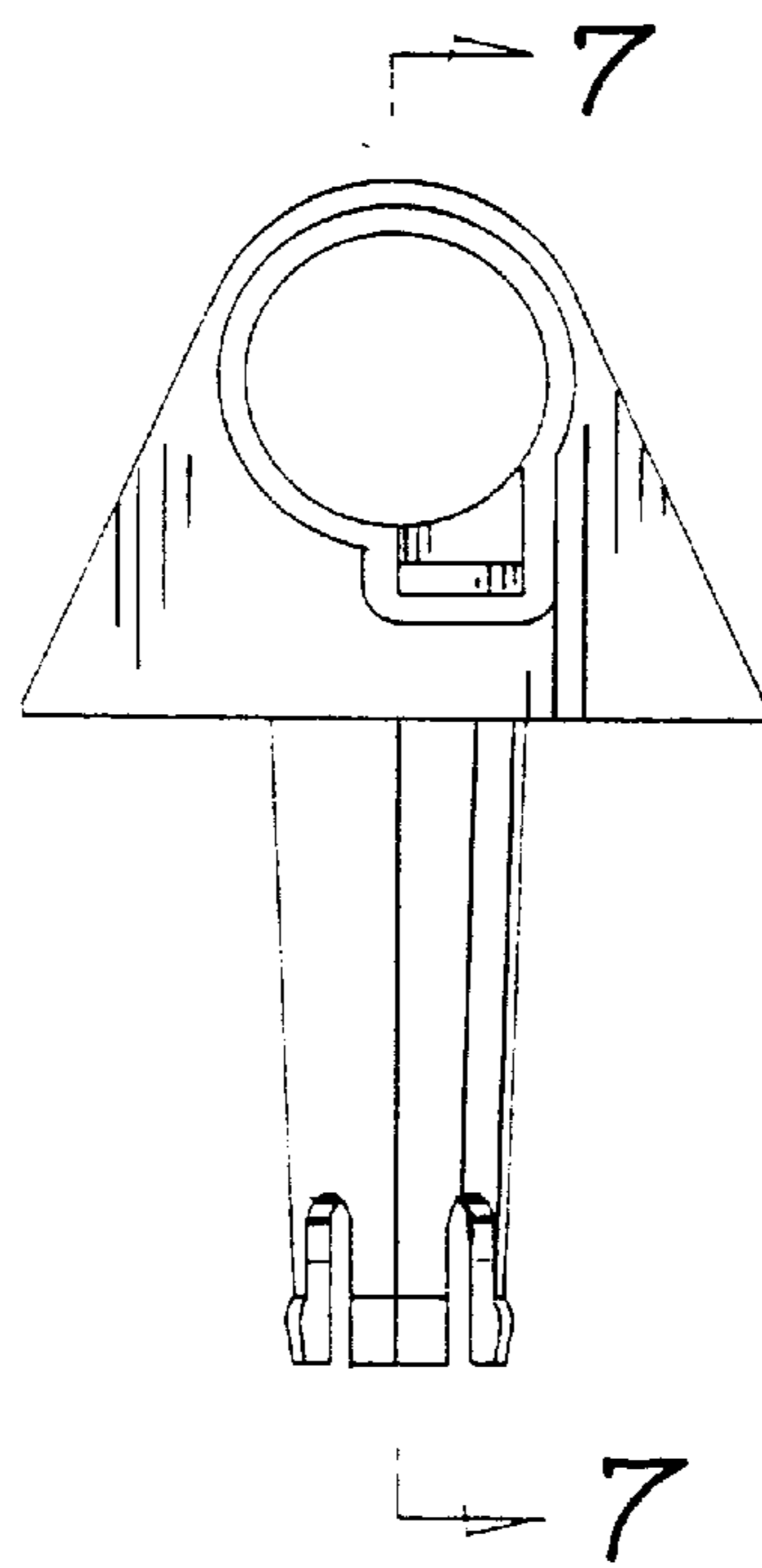


FIG. 5

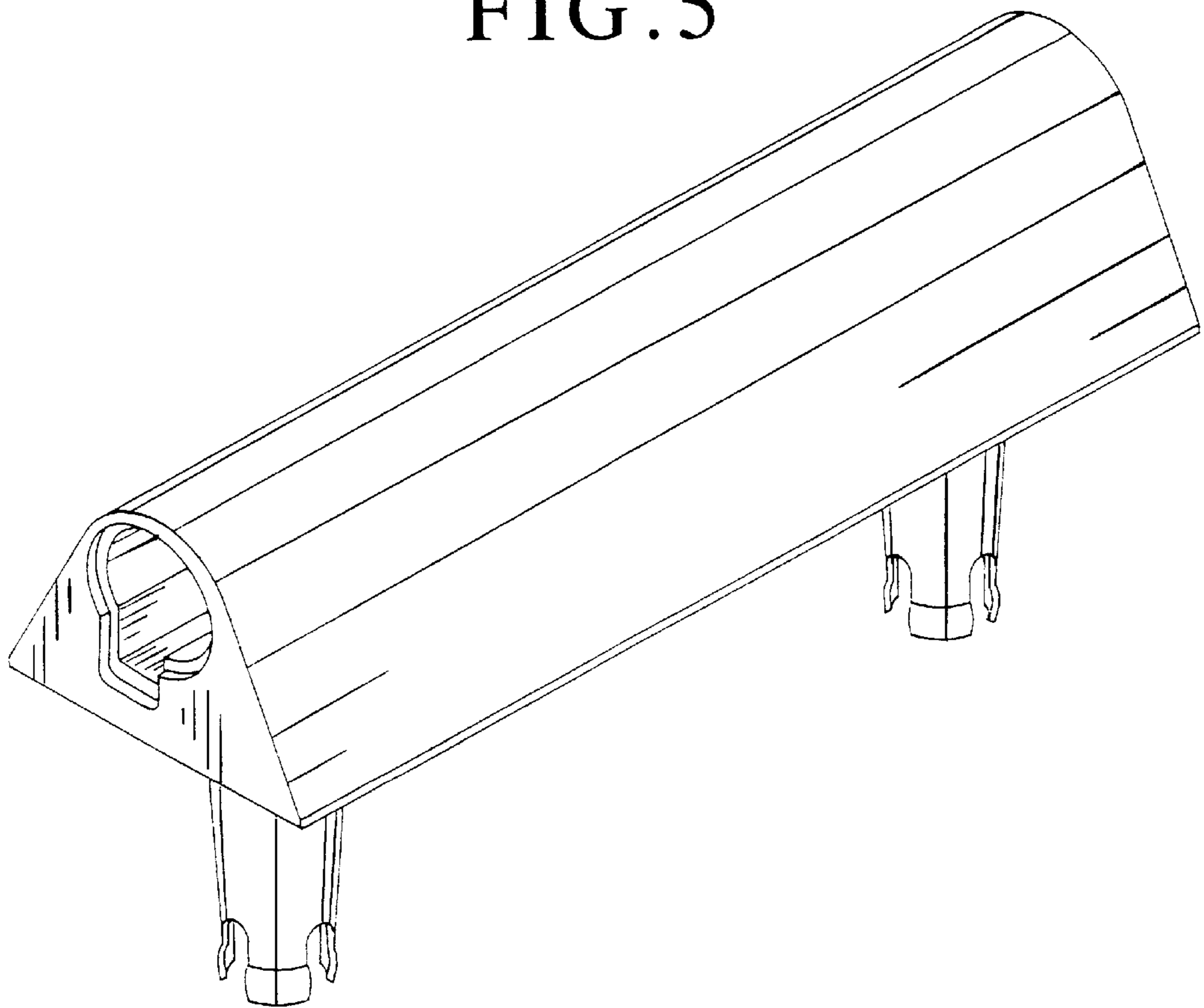


FIG. 7

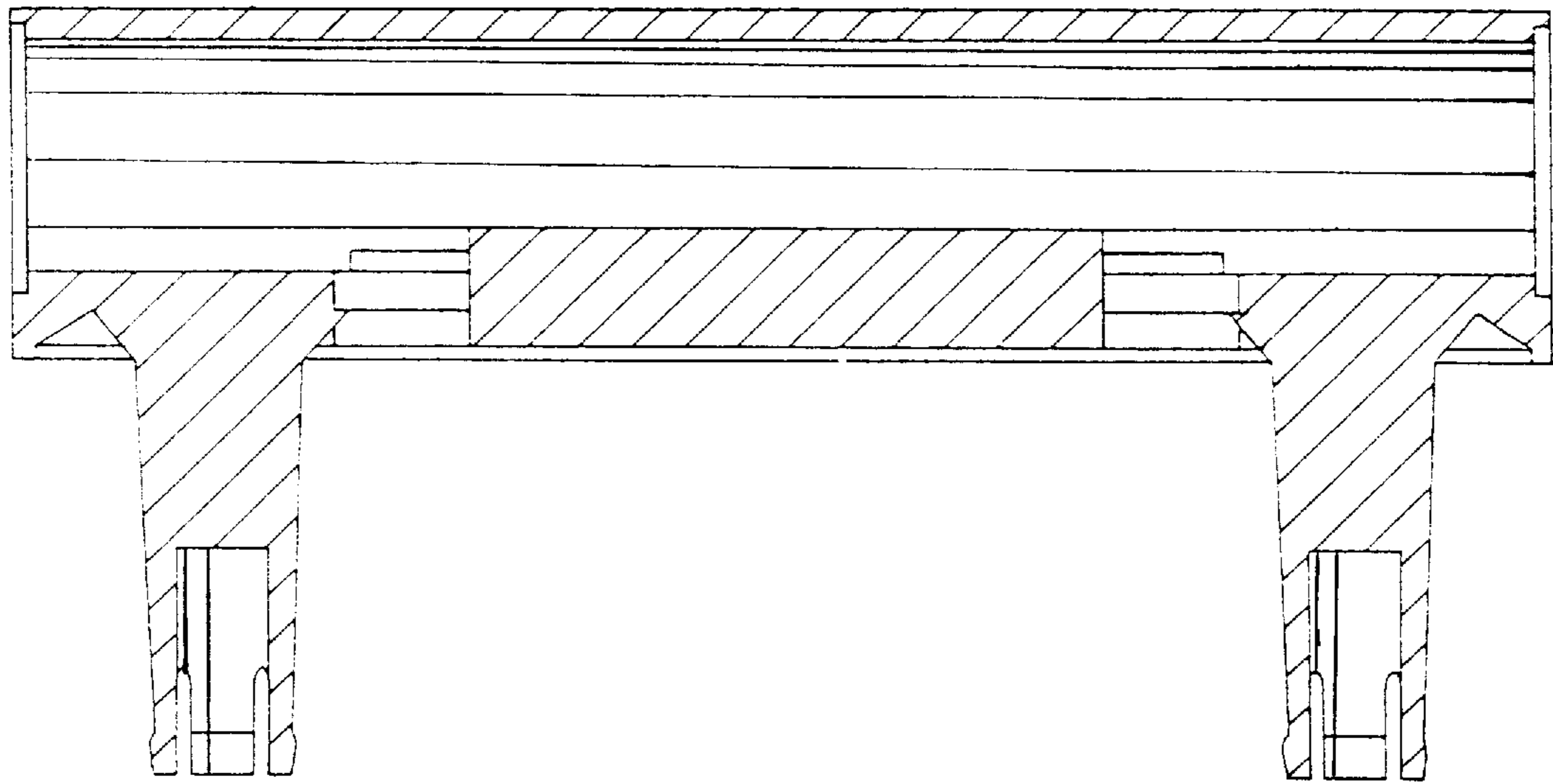


FIG. 8

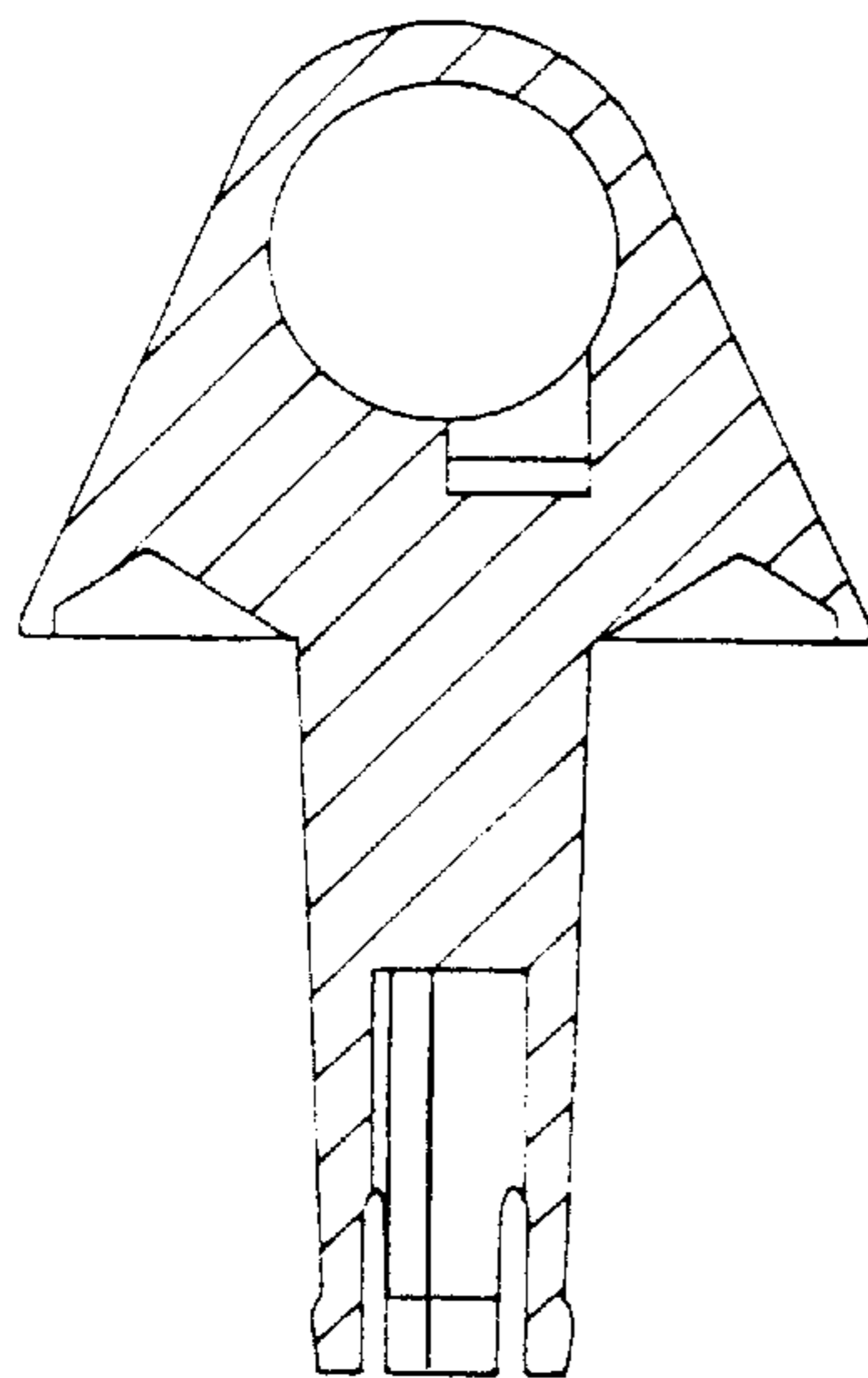


FIG. 6

