



US00D401679S

# United States Patent [19] Tagg

[11] Patent Number: **Des. 401,679**

[45] Date of Patent: **\*\*Nov. 24, 1998**

[54] **PORTABLE SINK**

[75] Inventor: **Richard Leach Tagg**, Sandhutton, England

[73] Assignee: **Polyjohn Enterprises Corporation**, Whiting, Ind.

[\*\*] Term: **14 Years**

[21] Appl. No.: **82,035**

[22] Filed: **Oct. 15, 1997**

### Related U.S. Application Data

[62] Division of Ser. No. 51,979, Mar. 20, 1996, Pat. No. Des. 391,343.

[51] **LOC (6) Cl.** ..... **23-02**

[52] **U.S. Cl.** ..... **D23/286**

[58] **Field of Search** ..... D23/284-293.1;  
4/619, 624, 625, 626, 638-650

### [56] References Cited

#### U.S. PATENT DOCUMENTS

D. 250,595 12/1978 Tebbe et al. .... D23/286

D. 315,196	3/1991	Tepp et al. ....	D23/284
1,378,185	5/1921	Nicholl .....	4/625
4,747,169	5/1988	Valbuena .....	4/625
4,765,003	8/1988	Chang .....	4/624
4,766,621	8/1988	Rasor .....	4/643
5,502,848	4/1996	Cowan .....	4/619

*Primary Examiner*—Louis S. Zarfaz  
*Assistant Examiner*—Eric Watterson  
*Attorney, Agent, or Firm*—Harness, Dickey & Pierce, P.L.C.

### [57] CLAIM

The ornamental design for a portable sink, as shown and described.

### DESCRIPTION

FIG. 1 is a perspective, right side and front view showing my design;

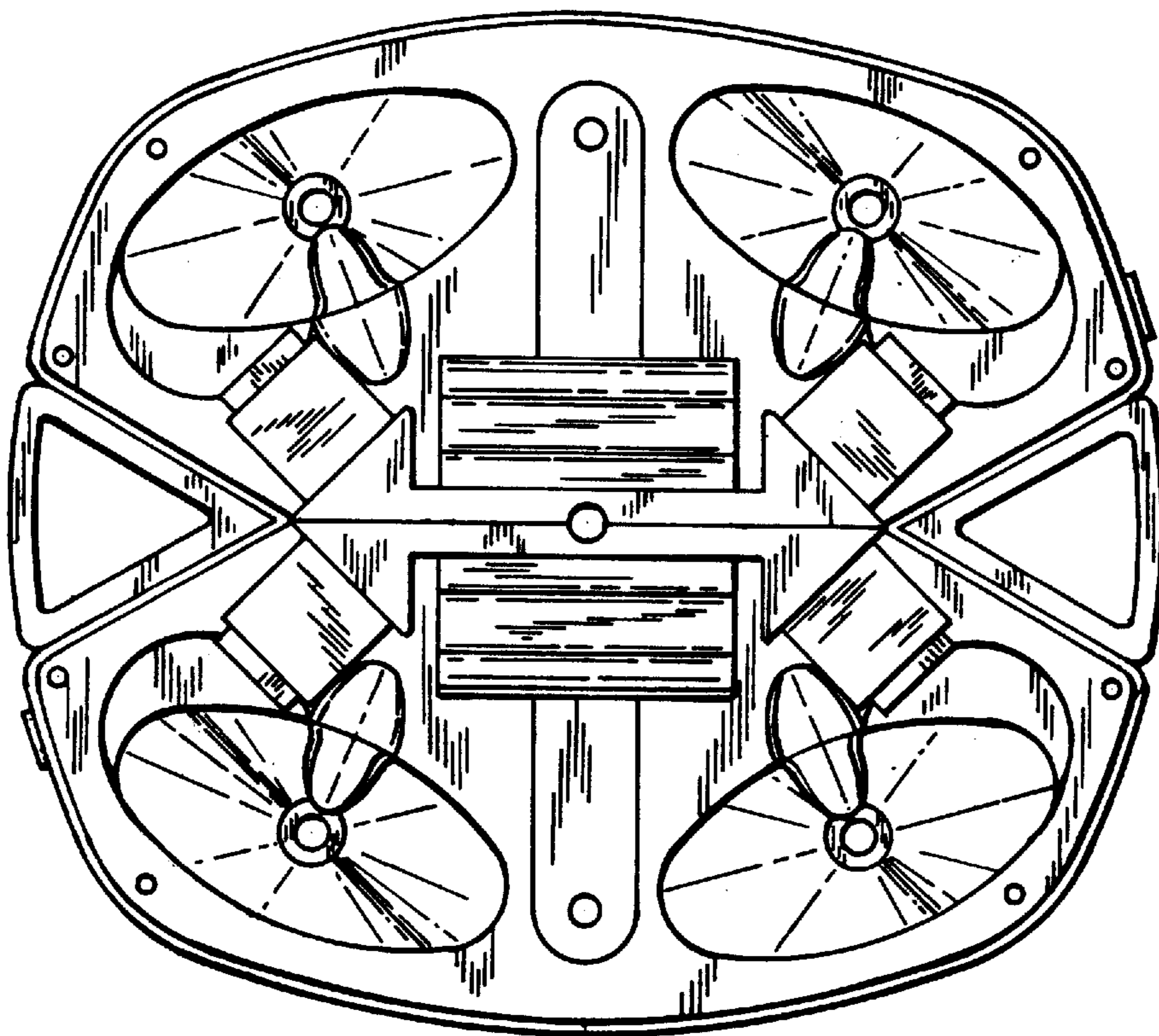
FIG. 2 is a right side elevational view thereof;

FIG. 3 is a front elevational view thereof; and,

FIG. 4 is a top plan view thereof.

The rear and bottom views of a portable sink are not being claimed in the present design.

**1 Claim, 2 Drawing Sheets**



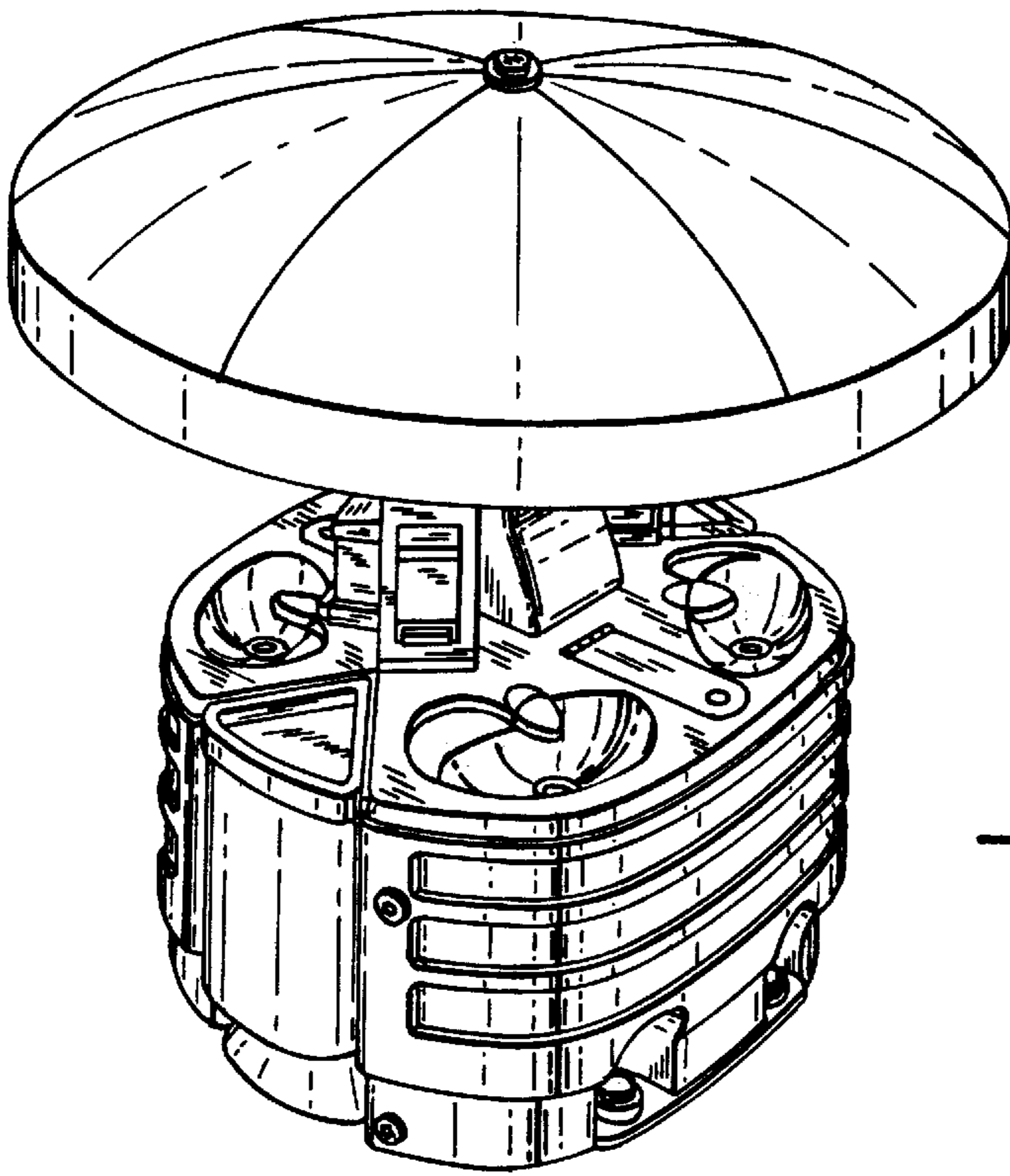


FIG. 1.

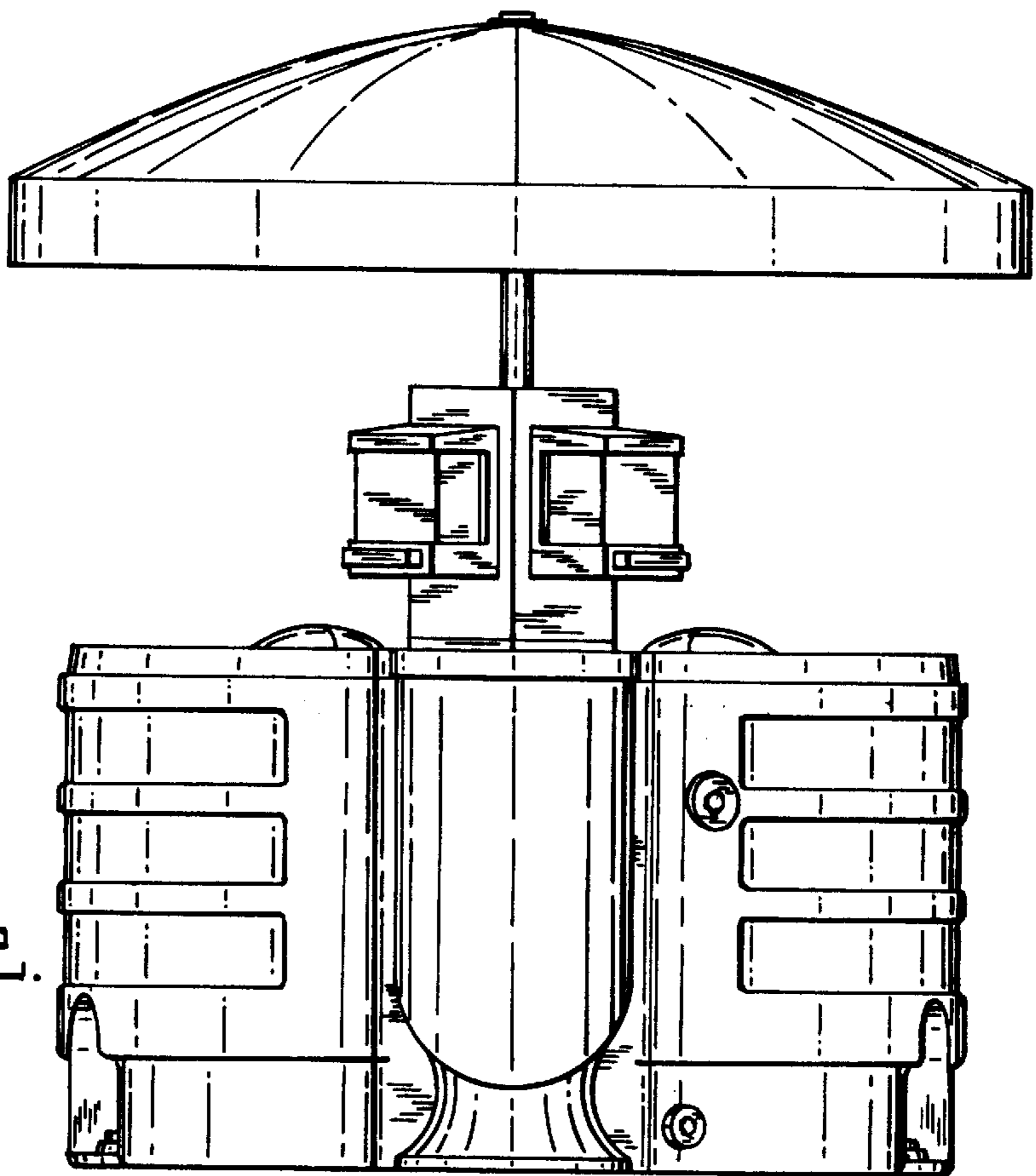


FIG. 2.

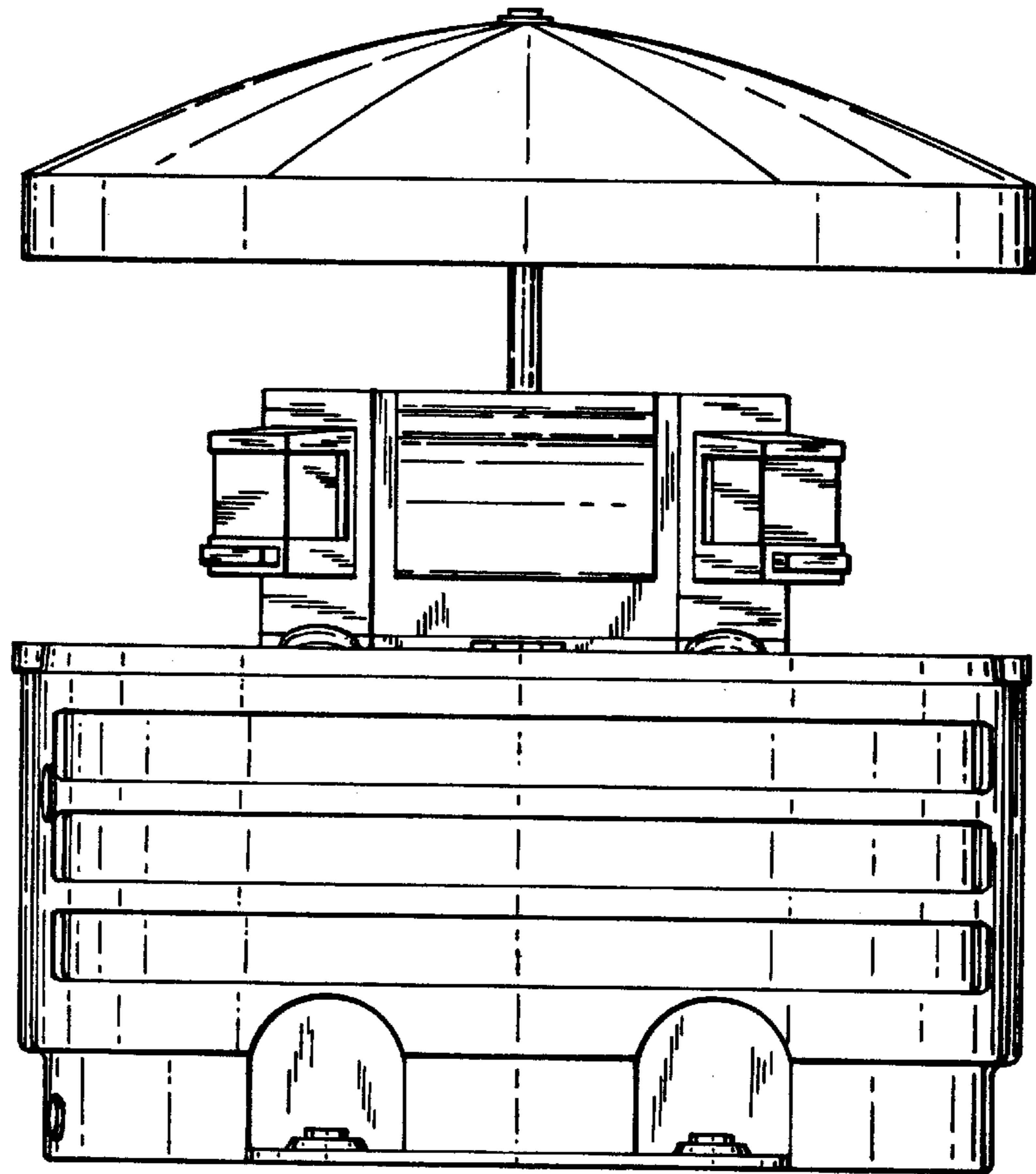


FIG. 3.

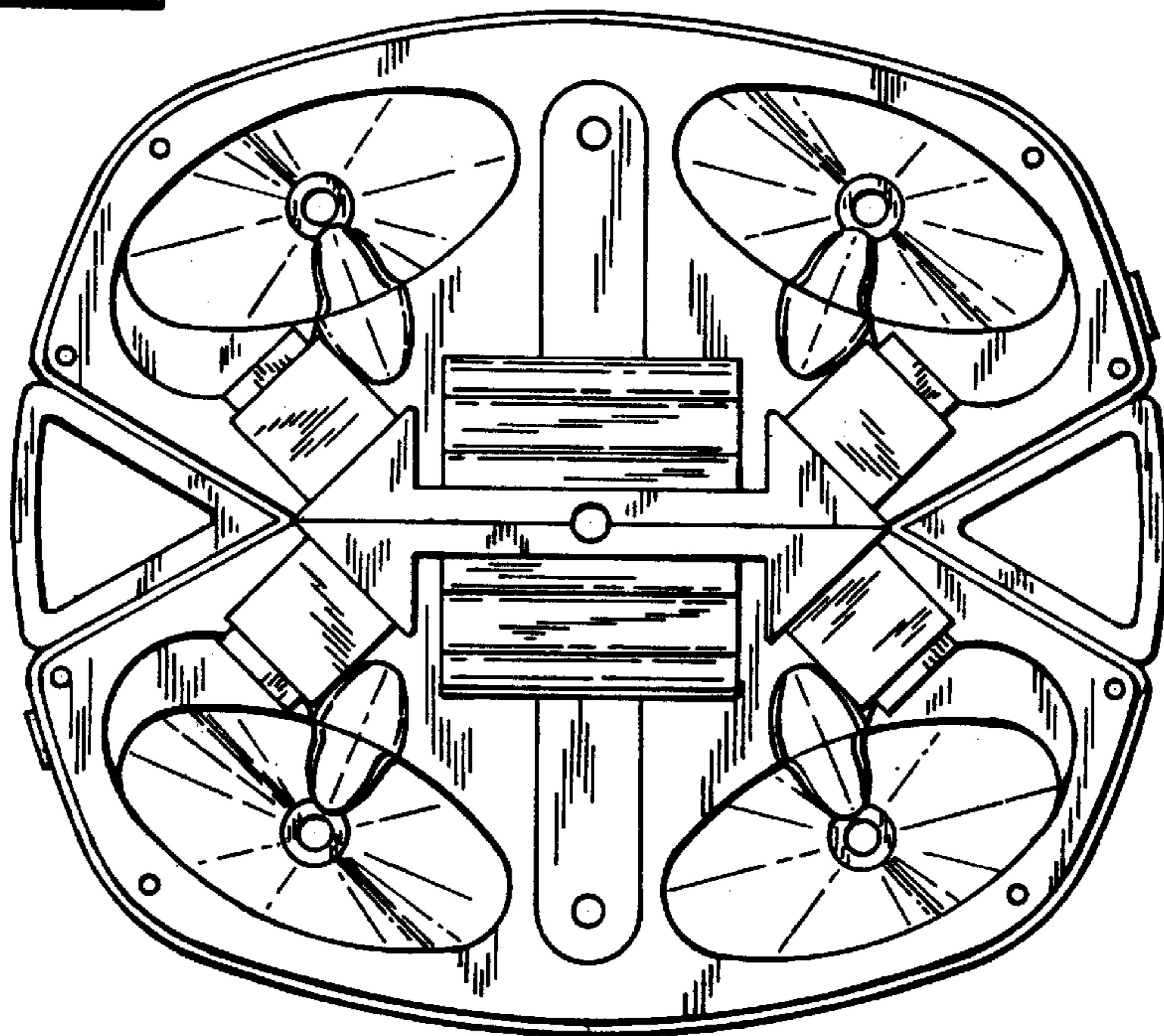


FIG. 4.