



US00D401677S

# United States Patent [19] Garza

[11] **Patent Number: Des. 401,677**

[45] **Date of Patent: \*\*Nov. 24, 1998**

[54] **LAVATORY**

[76] **Inventor: Marcelo Garza Laguera Garza,**  
Acambaro No. 459, Col. CD. Industrial,  
36541, Irapuato, Guanajuato, Mexico

[\*\*] **Term: 14 Years**

[21] **Appl. No.: 70,104**

[22] **Filed: Apr. 30, 1997**

[30] **Foreign Application Priority Data**

Oct. 31, 1996 [MX] Mexico ..... 961100

[51] **LOC (6) Cl. .... 23-02**

[52] **U.S. Cl. .... D23/284**

[58] **Field of Search ..... D23/284-293.1,**  
D23/619, 624, 625, 626, 638-650

[56] **References Cited**

**U.S. PATENT DOCUMENTS**

- D. 208,762 10/1967 Campi ..... D23/285
- D. 243,325 2/1977 Krause et al. .... D23/285
- D. 288,352 2/1987 Smith ..... D23/285
- D. 288,353 2/1987 Smith ..... D23/285

- D. 288,354 2/1987 Smith ..... D23/285
- D. 311,769 10/1990 Nosari ..... D23/285
- D. 386,248 11/1997 Wagner ..... D23/285

*Primary Examiner*—Louis S. Zarfes  
*Assistant Examiner*—Eric Watterson  
*Attorney, Agent, or Firm*—Pravel, Hewitt & Kimball

[57] **CLAIM**

The ornamental design for a lavatory, as shown.

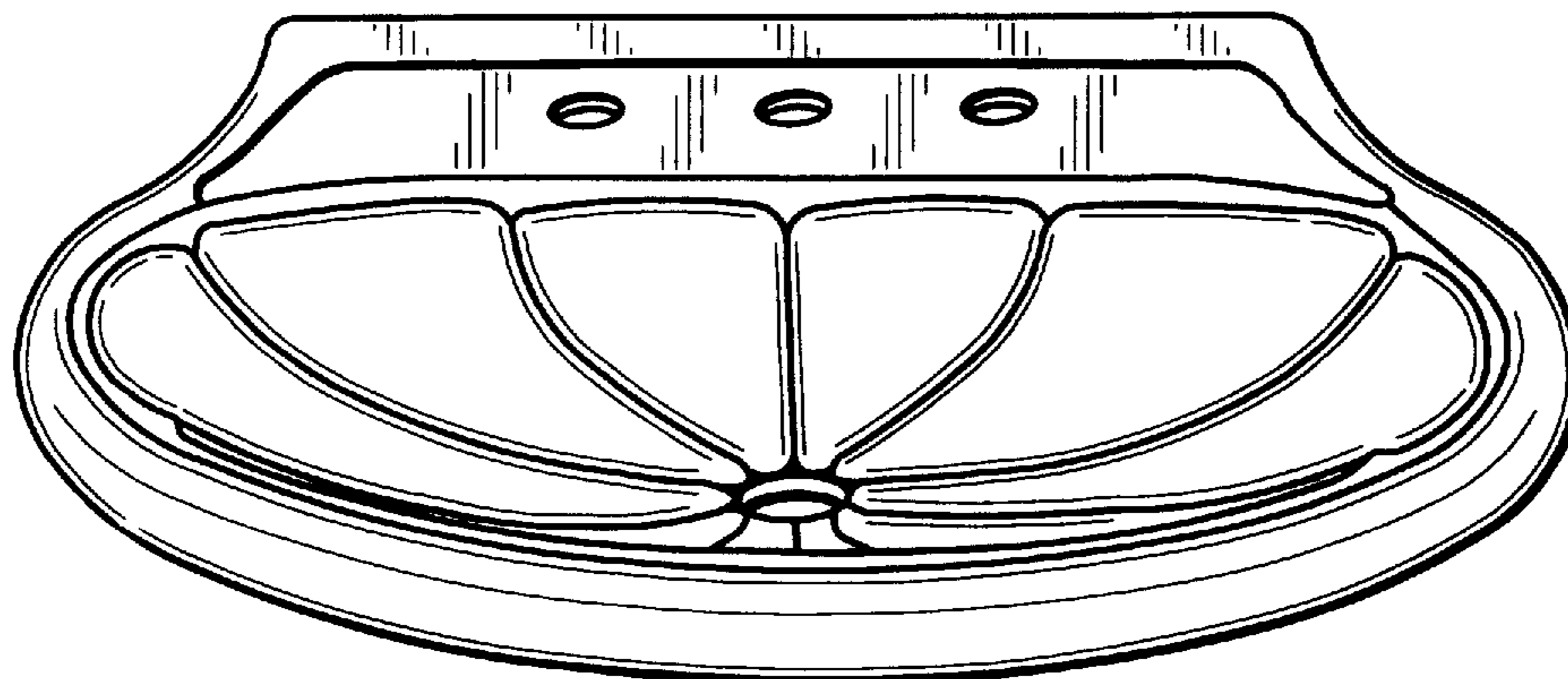
**DESCRIPTION**

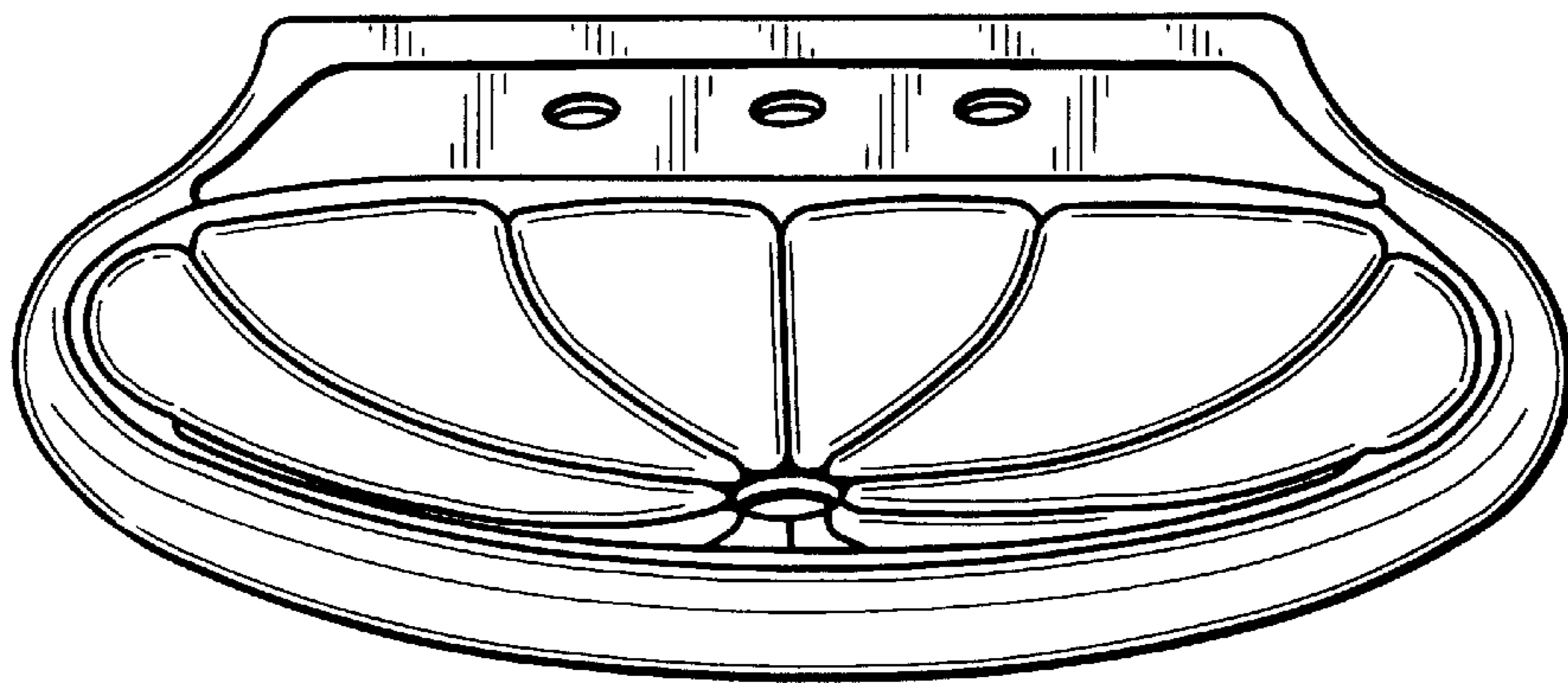
FIG. 1 is an isometric view showing the ornamental design for a lavatory according to the present invention; FIG. 2 is a front perspective view of FIG. 1; FIG. 3 is a top plan view of the lavatory of FIG. 1; FIG. 4 is a left side elevation view of the lavatory of FIG. 1; and, FIG. 5 is a right side elevation view of the lavatory of FIG. 1.

The bottom view of the lavatory of Fig. 1 is plain and unornamented.

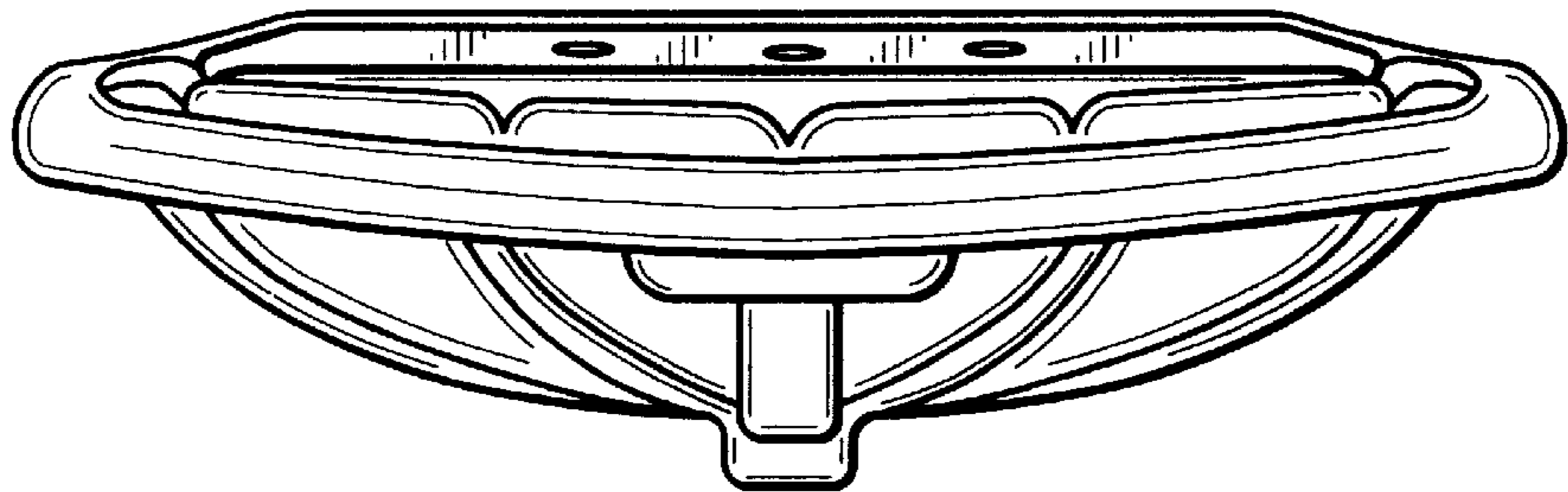
The rear elevation view of the lavatory of Fig. 1 is plain and unornamented.

**1 Claim, 2 Drawing Sheets**

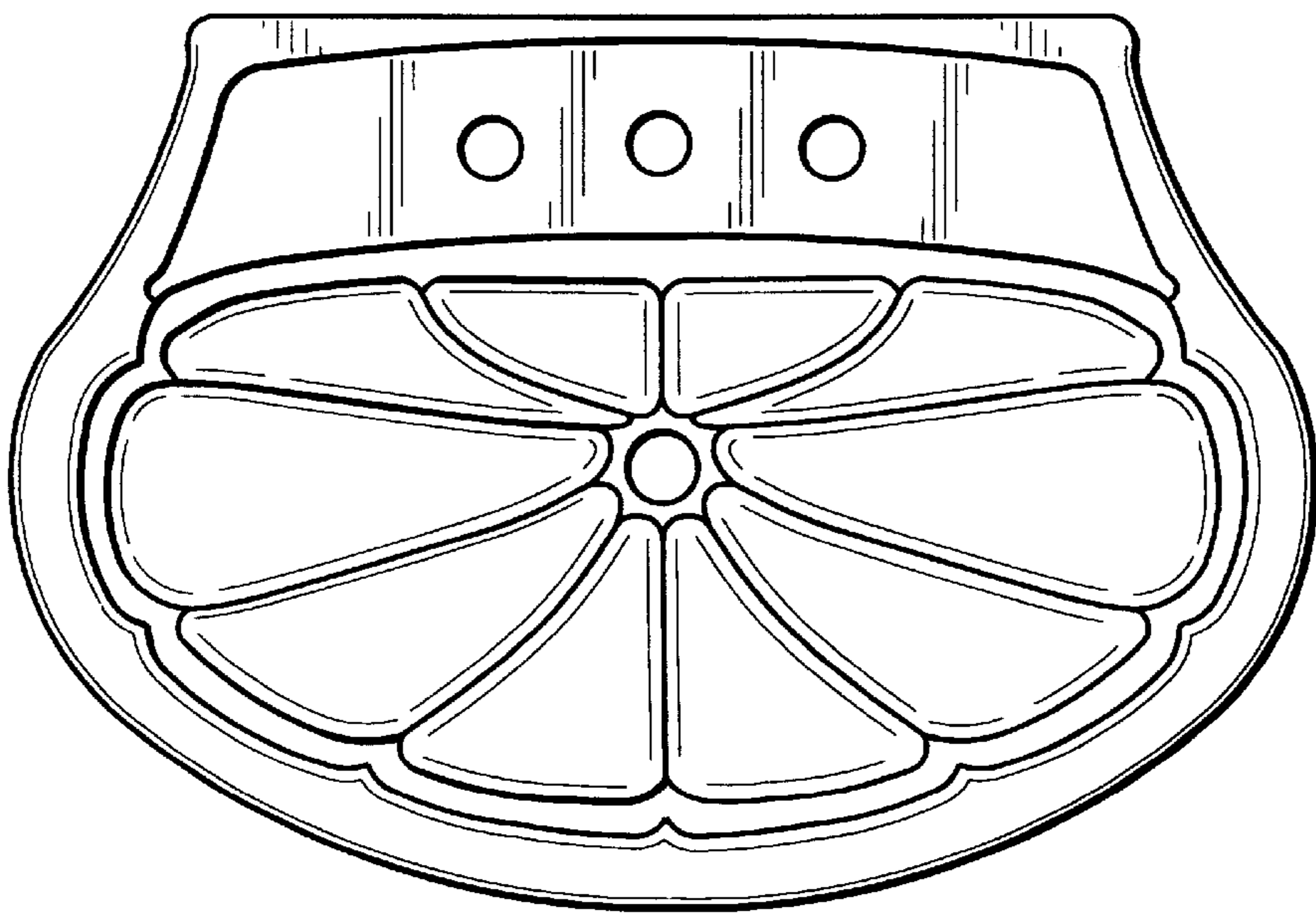




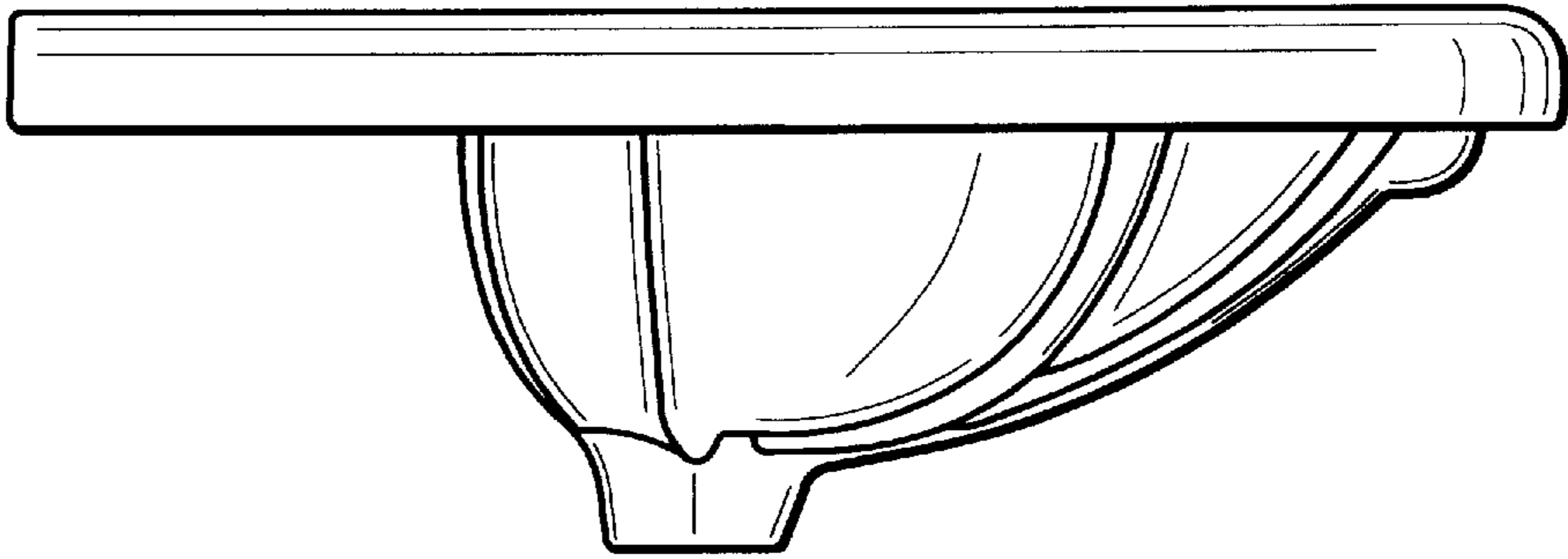
**FIG. 1**



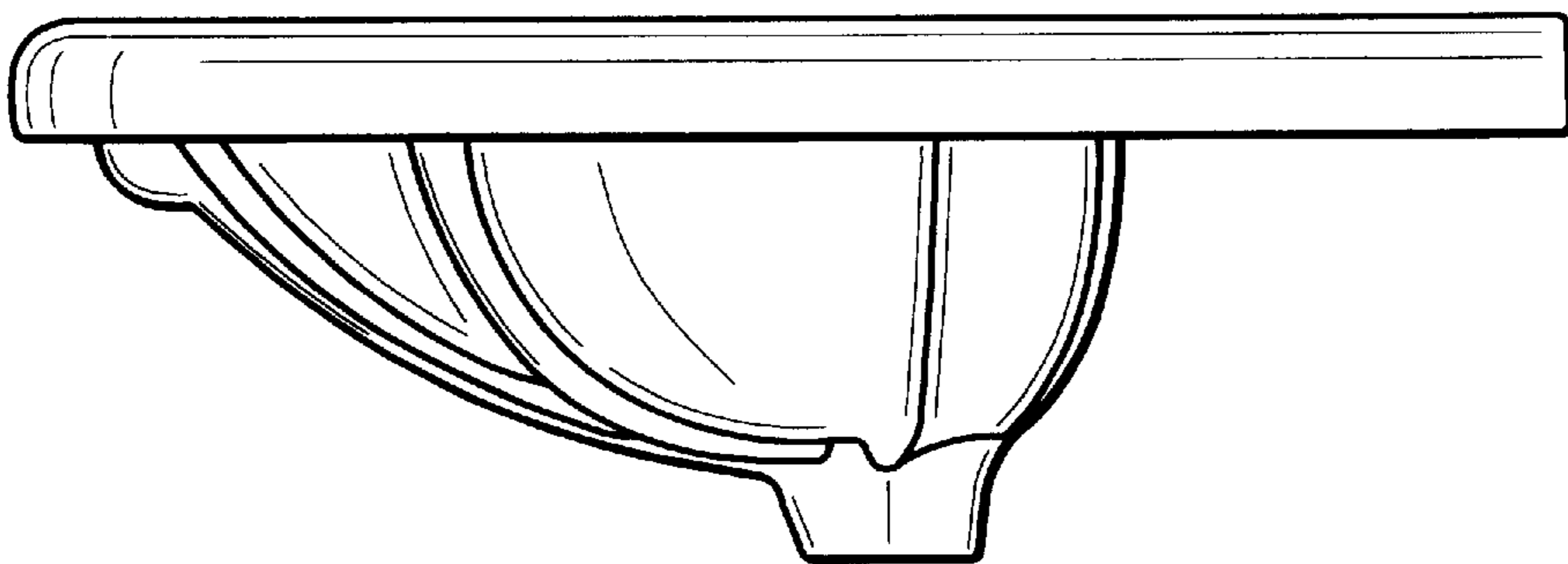
**FIG. 2**



**FIG. 3**



**FIG. 4**



**FIG. 5**