



US00D401673S

**United States Patent** [19]  
**Steffes**

[11] **Patent Number: Des. 401,673**

[45] **Date of Patent: \*\*Nov. 24, 1998**

[54] **FAUCET BODY**

[75] Inventor: **Rudolf Steffes**, Mueckeln, Germany

[73] Assignee: **American Standard Inc.**, Piscataway, N.J.

[\*\*] Term: **14 Years**

[21] Appl. No.: **53,737**

[22] Filed: **Apr. 29, 1996**

[51] **LOC (6) Cl.** ..... **23-01**

[52] **U.S. Cl.** ..... **D23/241**

[58] **Field of Search** ..... D23/237-241,  
D23/255-257; 4/675-678; 137/801

[56] **References Cited**

**U.S. PATENT DOCUMENTS**

D. 284,499	7/1986	Yost	.....	D23/241
D. 288,837	3/1987	Yost	.....	D23/25
D. 289,318	4/1987	Yost	.....	D23/25
D. 295,661	5/1988	Konler, Jr. et al.	.....	D23/241
D. 318,901	8/1991	Rodstein	.....	D23/238
D. 347,466	5/1994	Kolada et al.	.....	D23/241
D. 347,883	6/1994	Kolada et al.	.....	D23/255
D. 350,812	9/1994	Kolada et al.	.....	D23/255
D. 361,827	8/1995	Dougerty et al.	.....	D23/241

**OTHER PUBLICATIONS**

Delta Catalog "Innovations" p. 19, 1996.

*Primary Examiner*—Stella Reid  
*Assistant Examiner*—Eric Watterson

*Attorney, Agent, or Firm*—Ann M. Knab; Elaine Brenner Robinson

[57] **CLAIM**

The ornamental design for a faucet body, as shown and described.

**DESCRIPTION**

FIG. 1 is a perspective view of a faucet body showing my new design;

FIG. 2 is a left side elevational view thereof, the right side view being a mirror image of the left side;

FIG. 3 is a rear elevational view thereof;

FIG. 4 is a front elevational view thereof;

FIG. 5 is a top plan view thereof;

FIG. 6 is a bottom plan view thereof;

FIG. 7 is a perspective view of a faucet body showing another embodiment of my new design;

FIG. 8 is a left side elevational view of the faucet body shown in FIG. 7, the right side view being a mirror image of the left side;

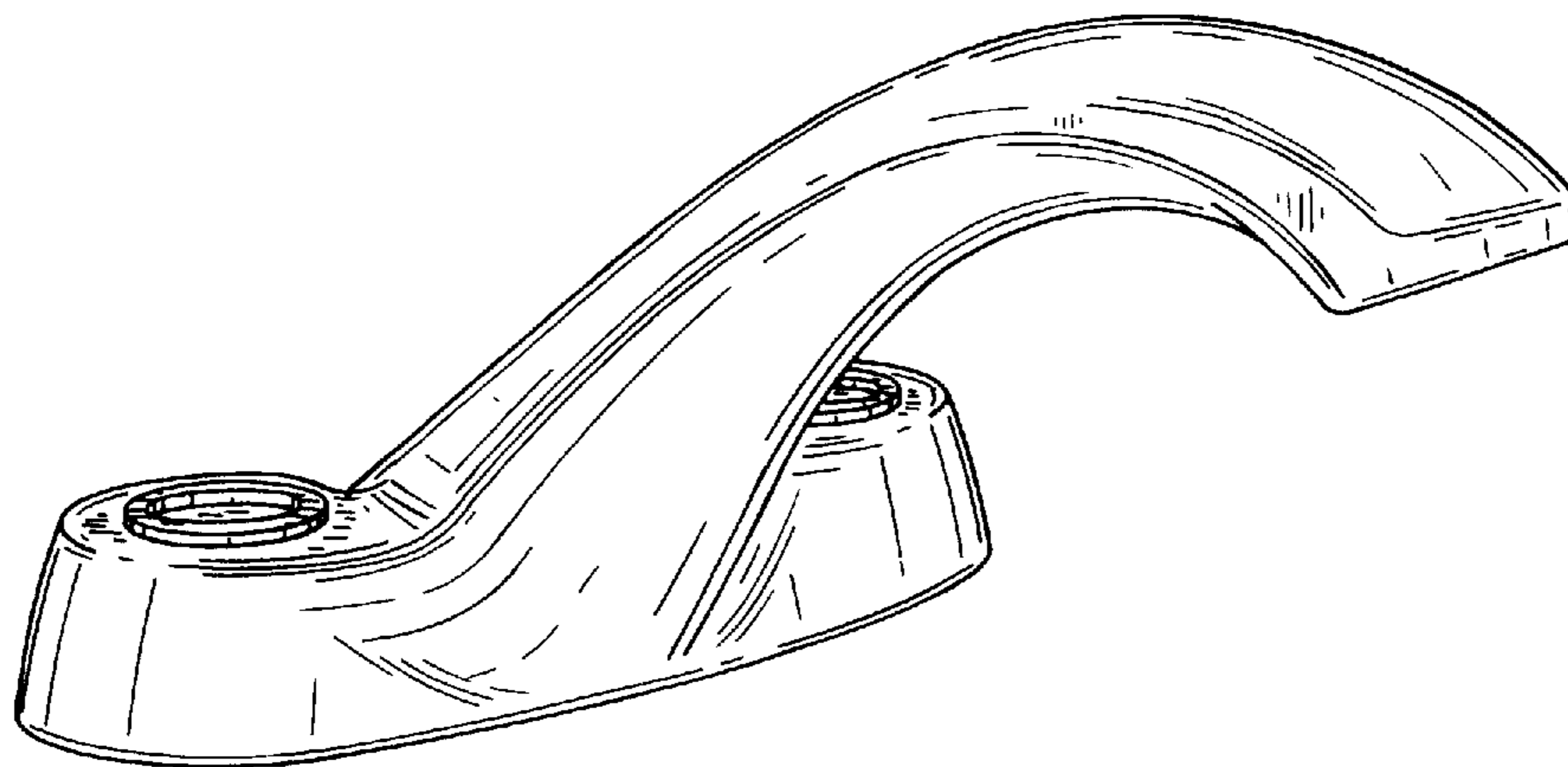
FIG. 9 is a rear elevational view of the faucet body shown in FIG. 7;

FIG. 10 is a front elevational view of the faucet body shown in FIG. 7;

FIG. 11 is a top plan view of the faucet body shown in FIG. 7; and,

FIG. 12 is a bottom plan view of the faucet body shown in FIG. 7.

**1 Claim, 6 Drawing Sheets**



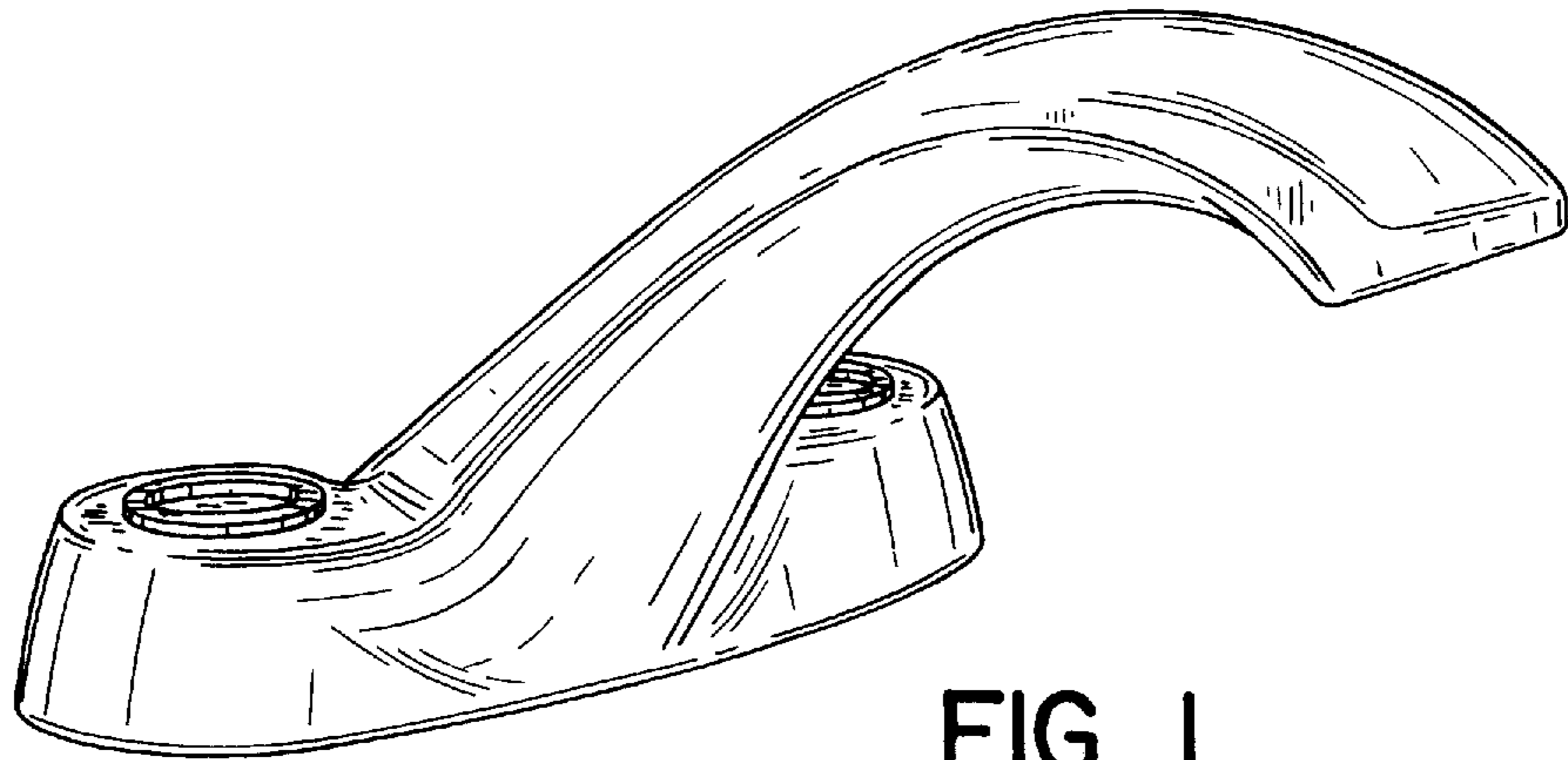


FIG. 1

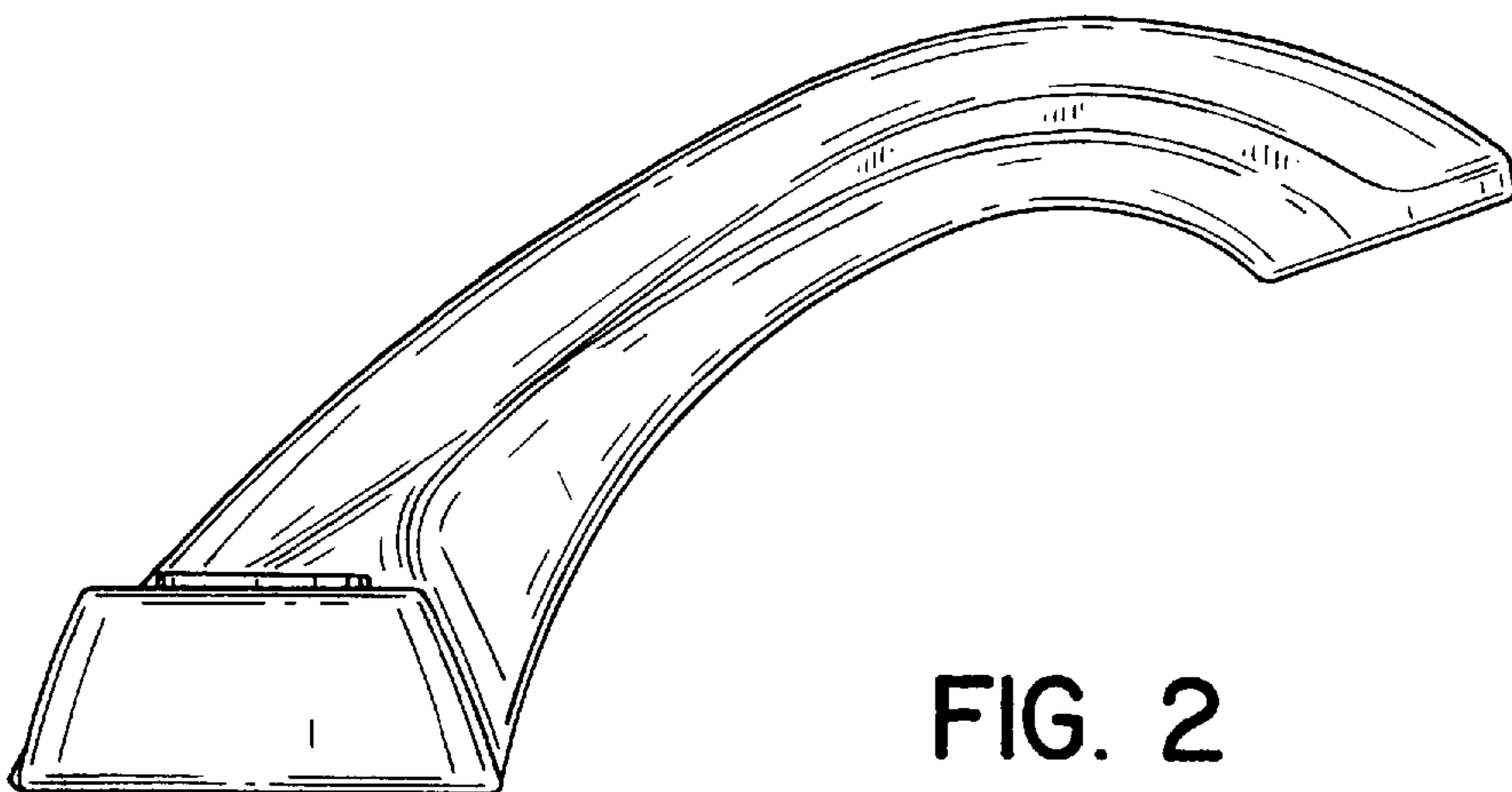


FIG. 2

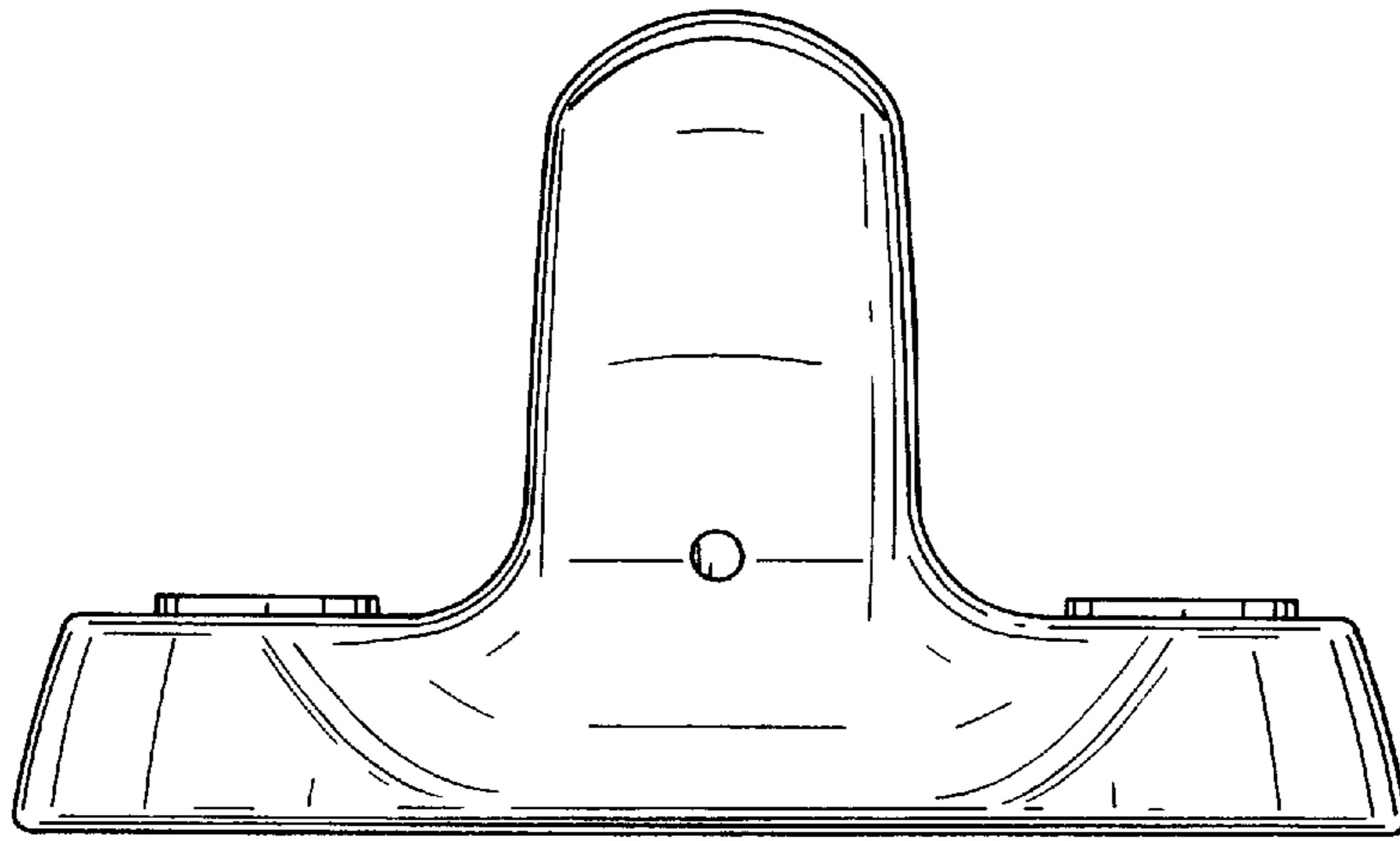


FIG. 3

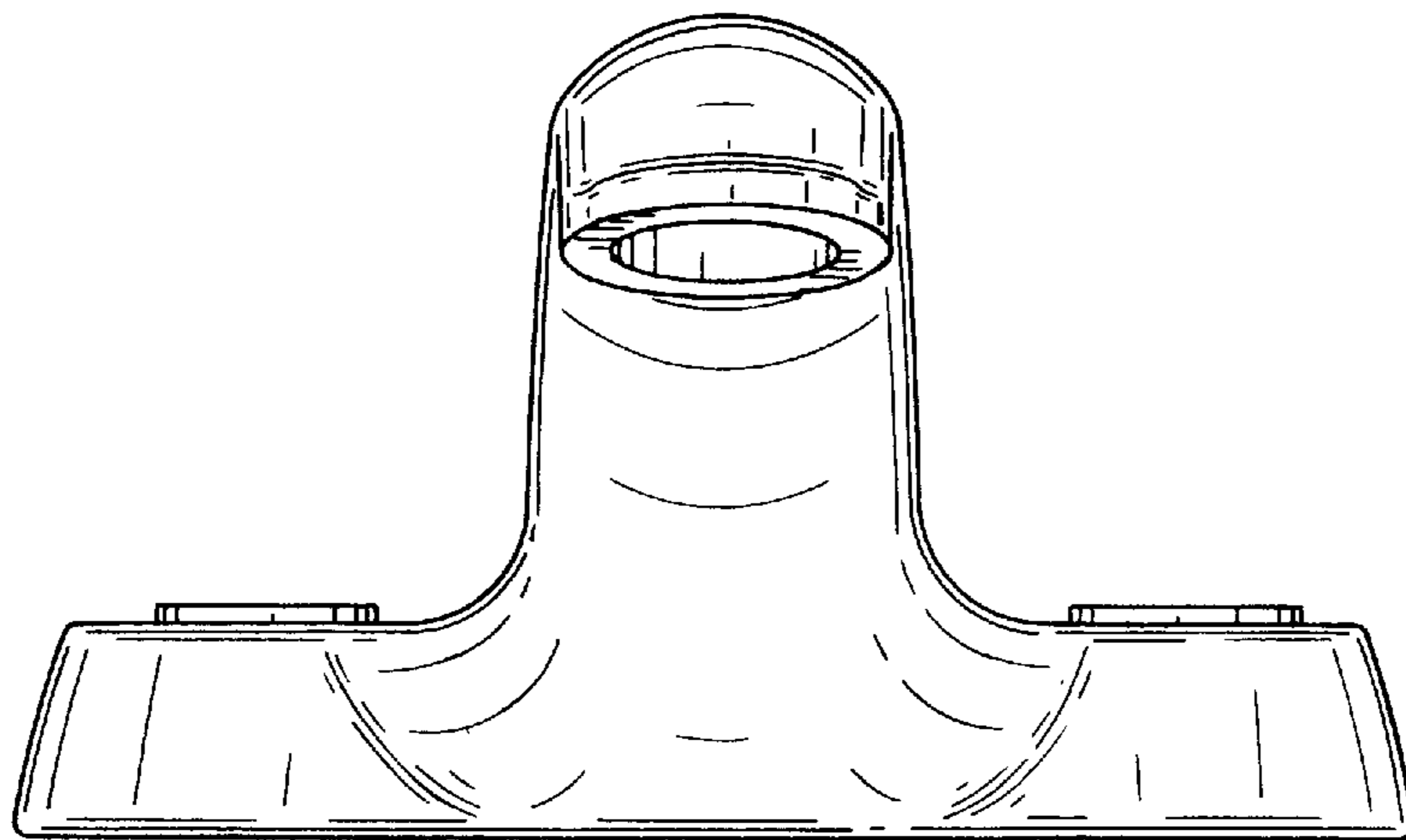


FIG. 4

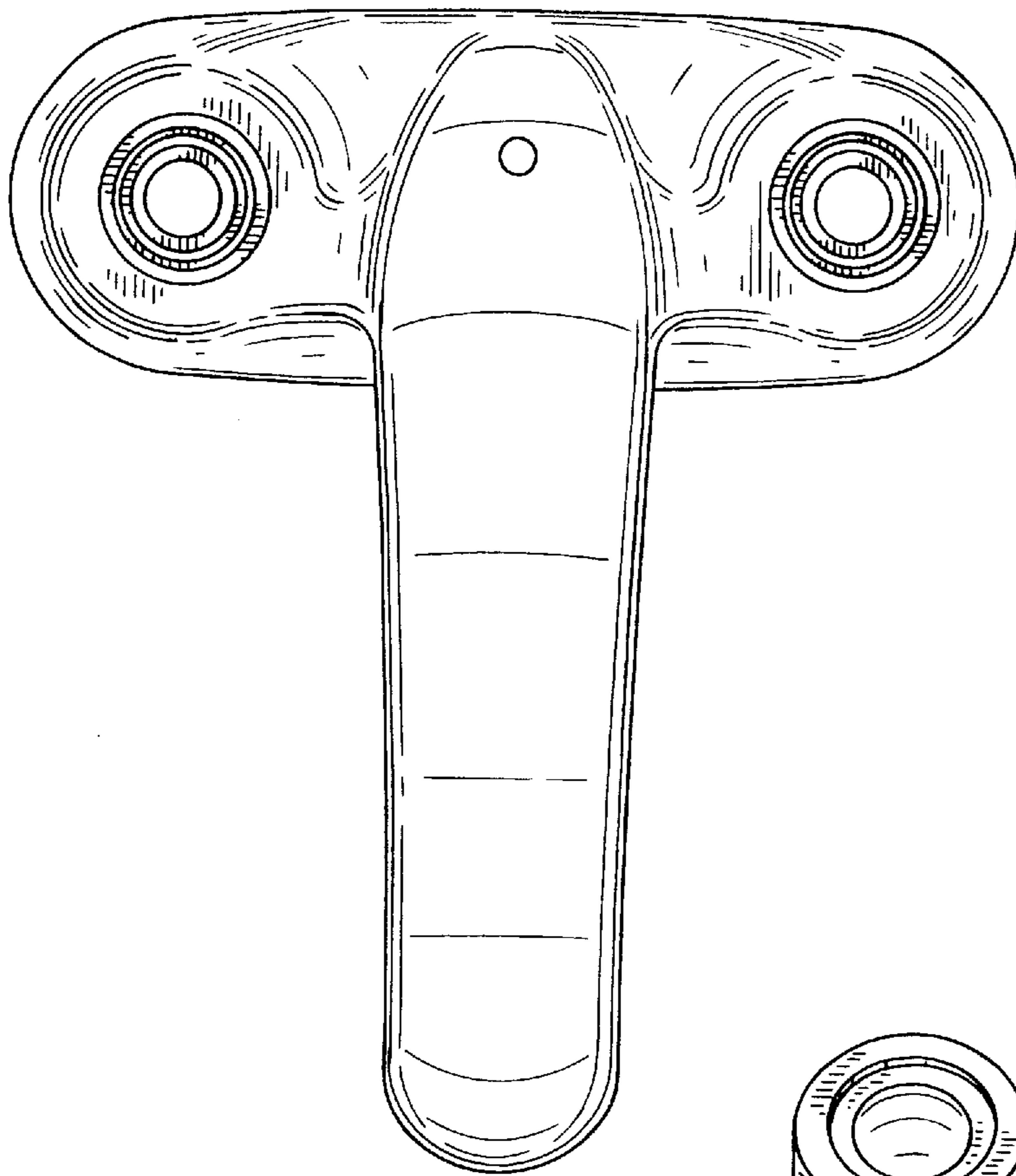


FIG. 5

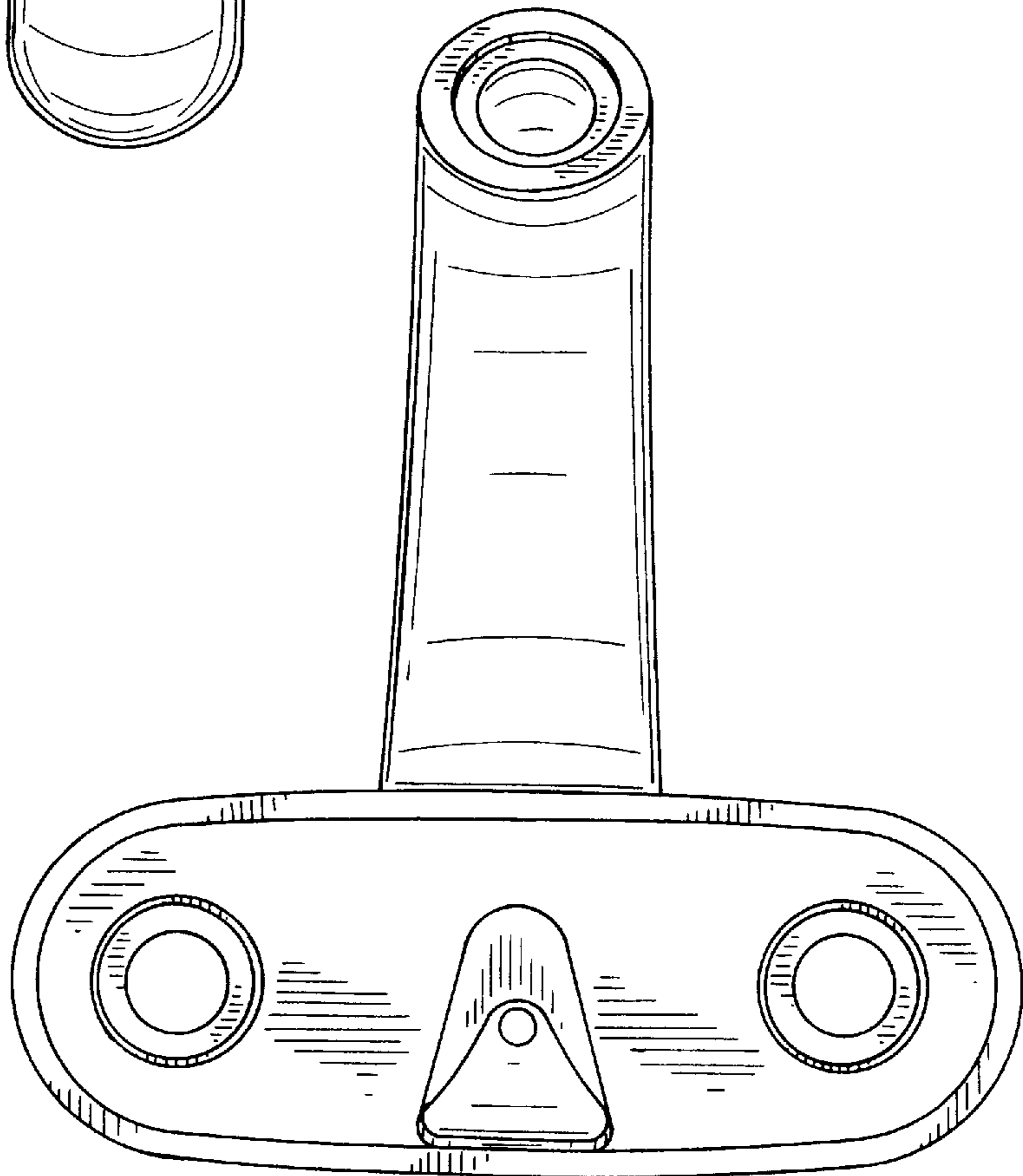


FIG. 6

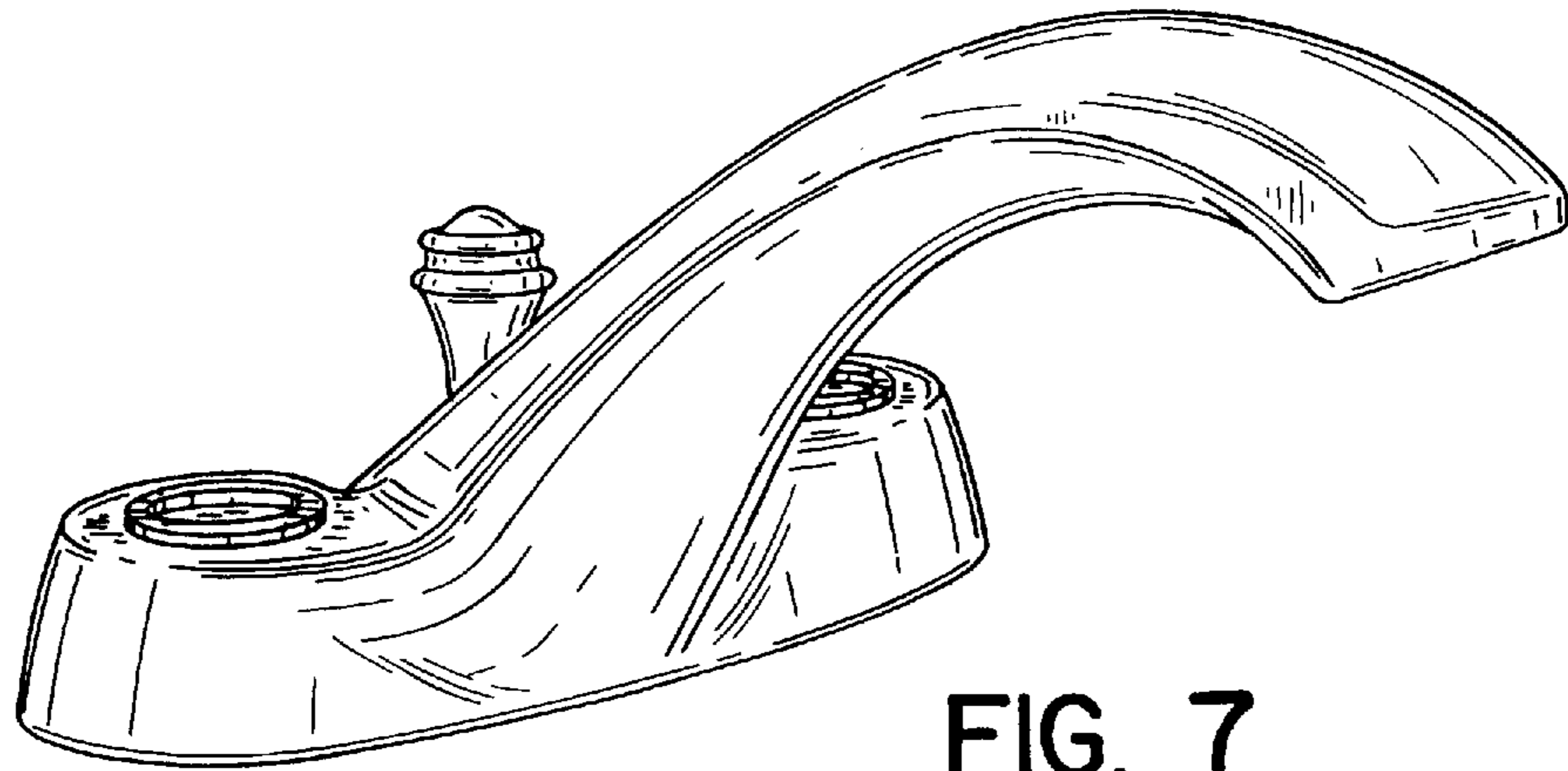


FIG. 7

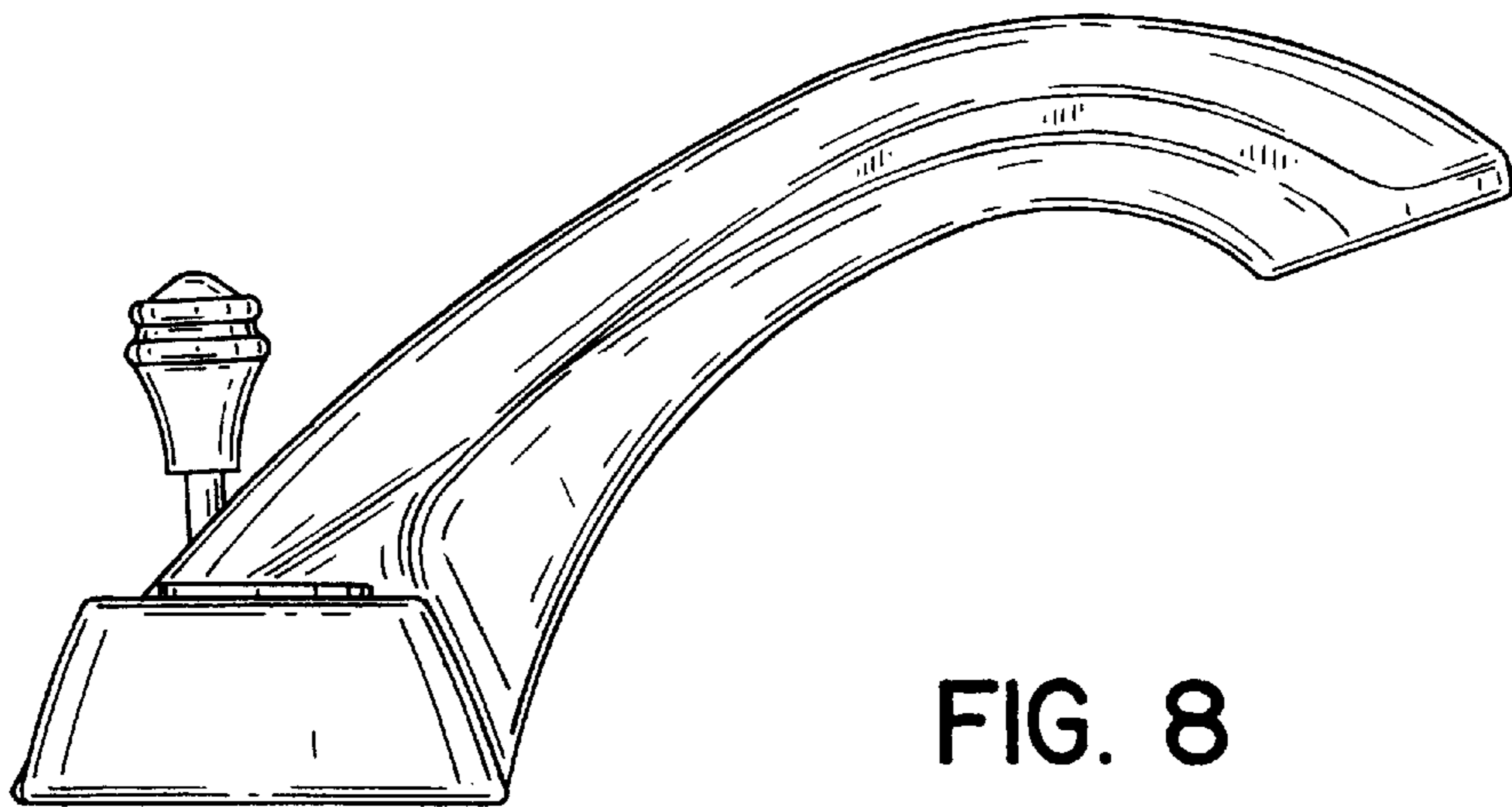


FIG. 8



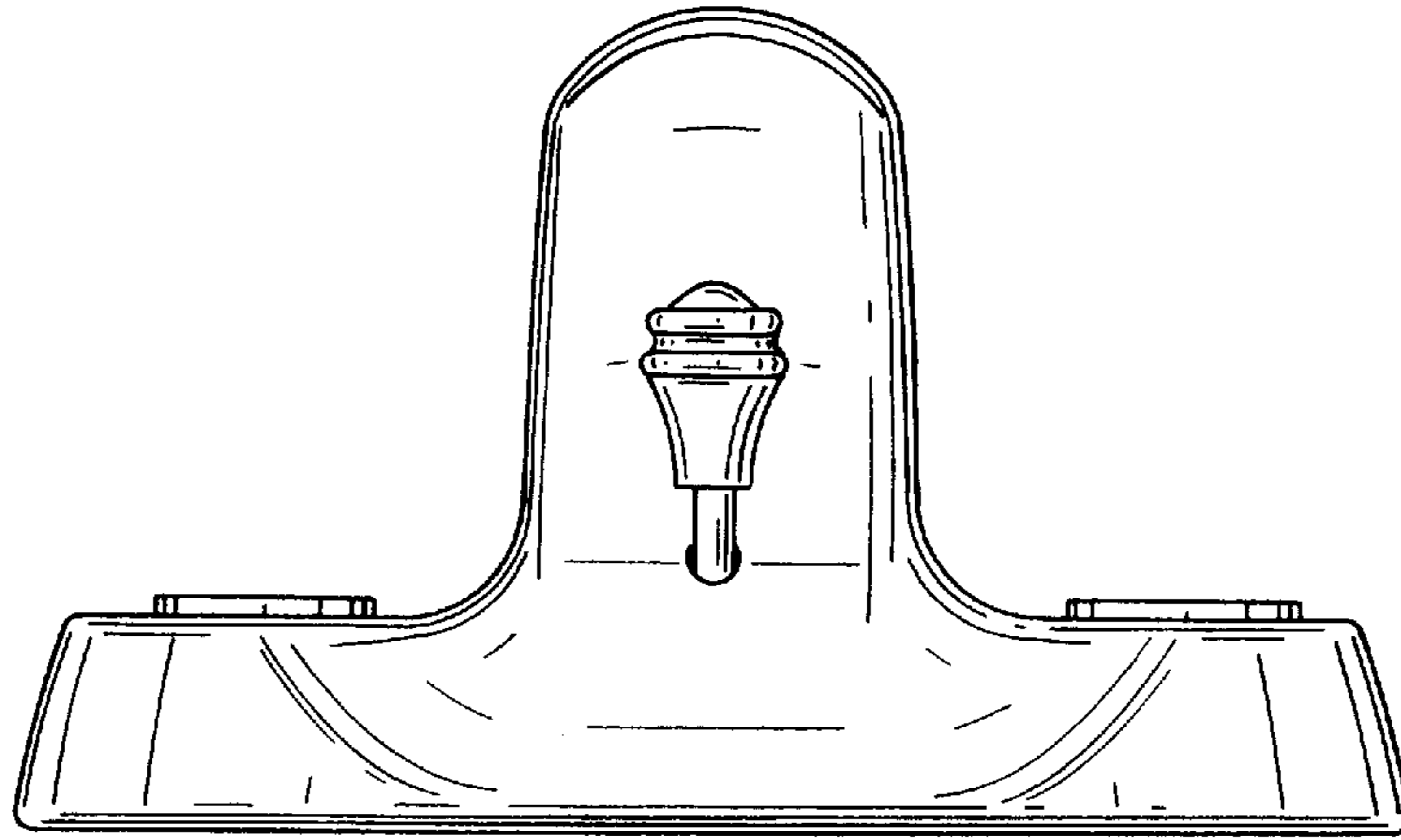


FIG. 9

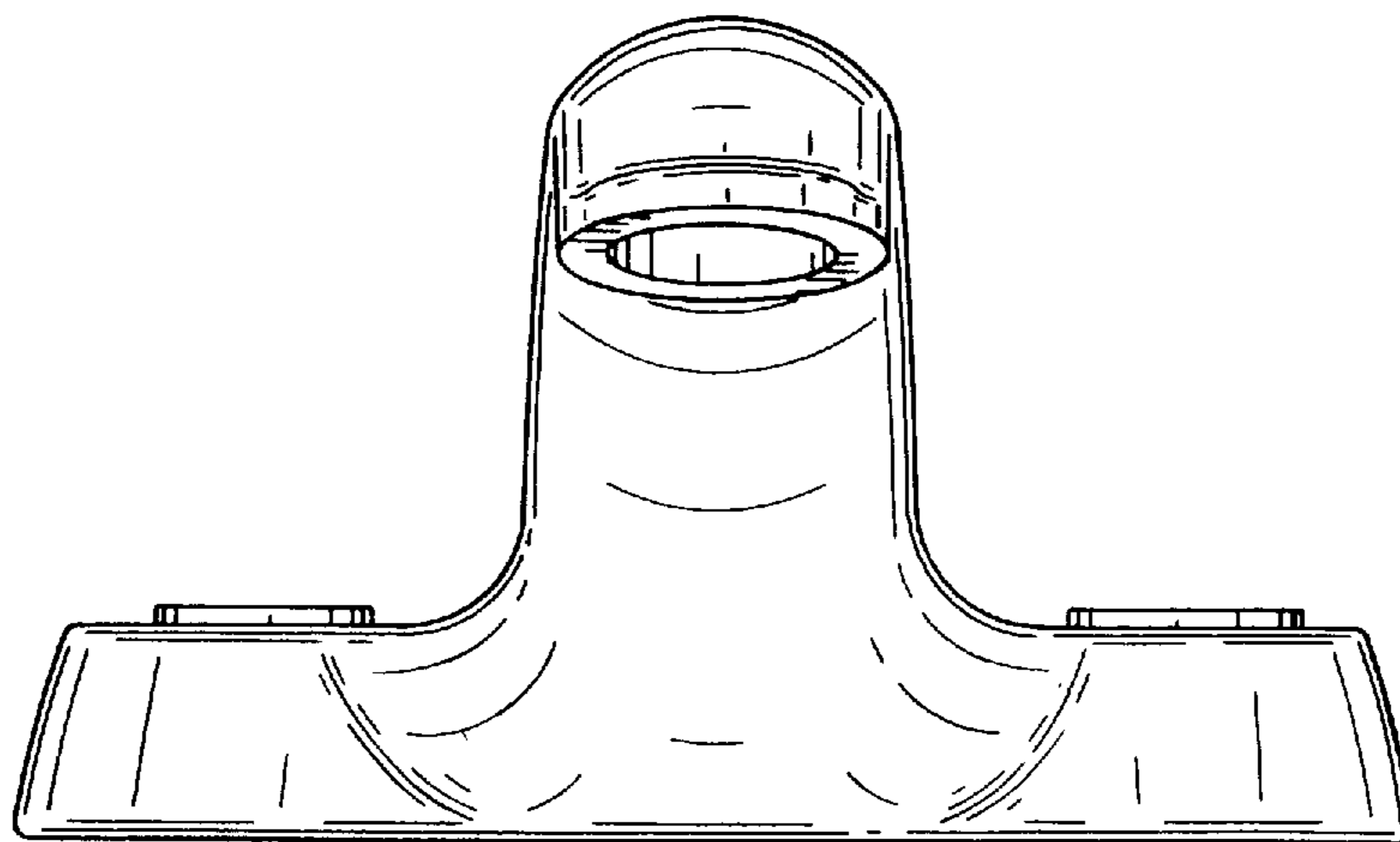


FIG. 10

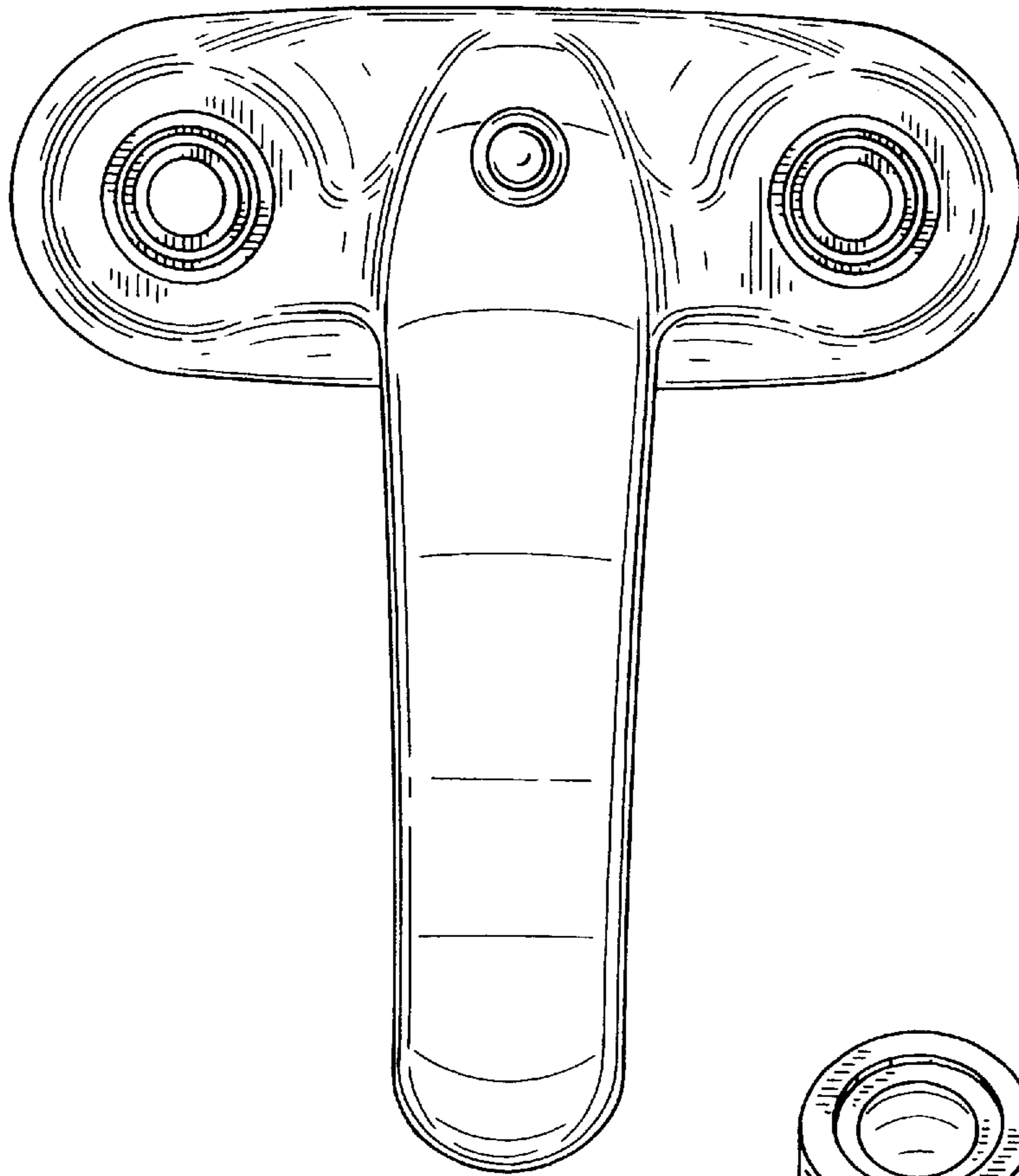


FIG. 11

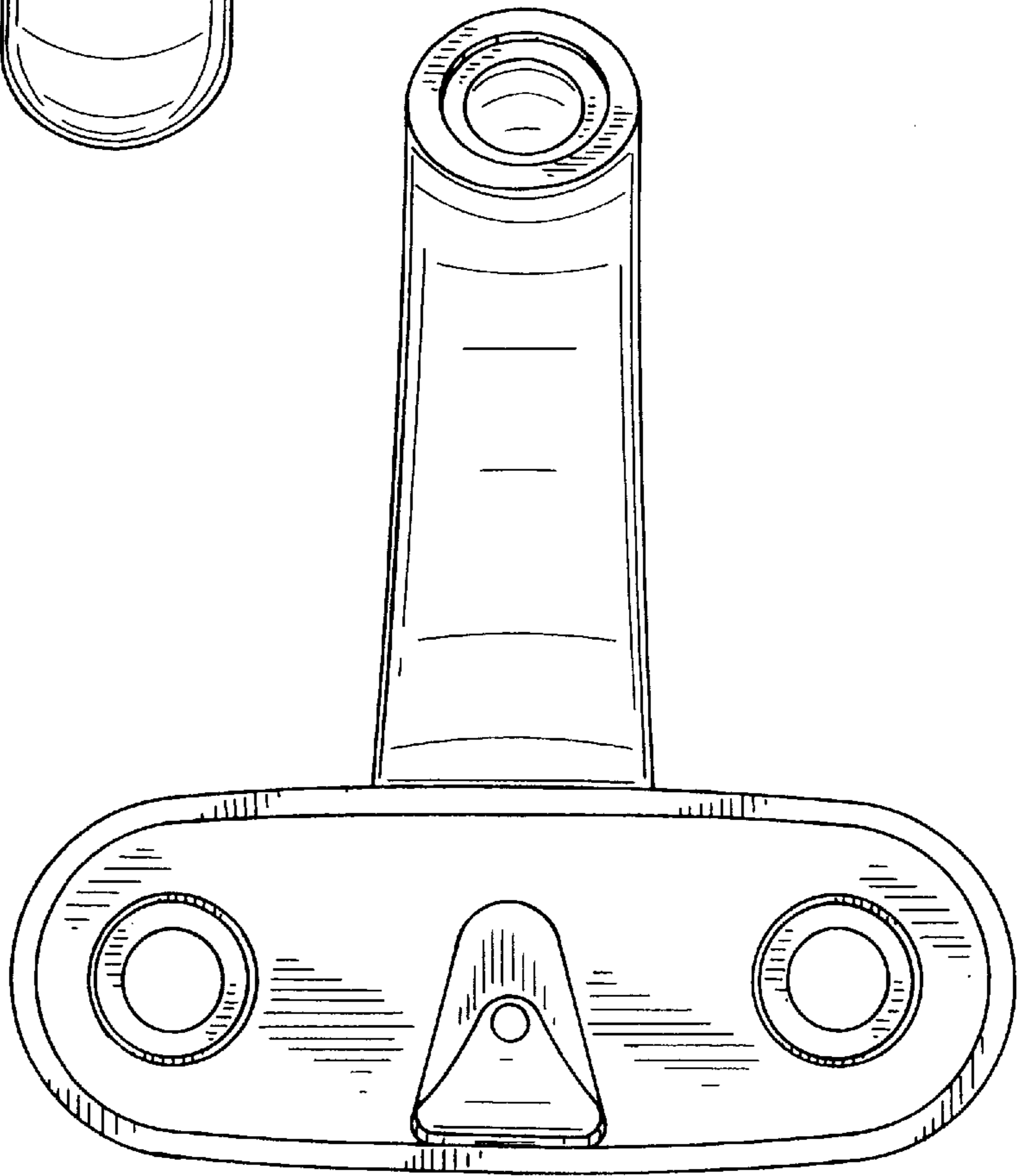


FIG. 12