



US00D401672S

United States Patent [19] Klopstad

[11] **Patent Number: Des. 401,672**

[45] **Date of Patent: **Nov. 24, 1998**

[54] **GAS PRESSURE REGULATOR**

[75] Inventor: **Richard C. Klopstad**, Indianapolis, Ind.

[73] Assignee: **ReGin Manufacturing, Inc.**, Indianapolis, Ind.

[**] Term: **14 Years**

[21] Appl. No.: **60,929**

[22] Filed: **Oct. 10, 1996**

[51] **LOC (6) Cl.** **23-01**

[52] **U.S. Cl.** **D23/235; D10/85**

[58] **Field of Search** **D10/85; D23/235;**
137/82.1, 505.25, 116.5, 505.46, 614.2,
855, 460

[56] **References Cited**

U.S. PATENT DOCUMENTS

- D. 291,231 8/1987 Datta D23/233
- D. 311,437 10/1990 Datta et al. D23/233

Primary Examiner—Antoine Duval Davis
Attorney, Agent, or Firm—Locke Reynolds

[57] **CLAIM**

I claim the ornamental design for a gas pressure regulator, as shown and described.

DESCRIPTION

FIG. 1 is a side elevation view of a gas pressure regulator constructed in accordance with my design;

FIG. 2 is a top plan view of the gas pressure regulator shown in FIG. 1;

FIG. 3 is a side elevation view of the side opposite that shown in FIG. 1;

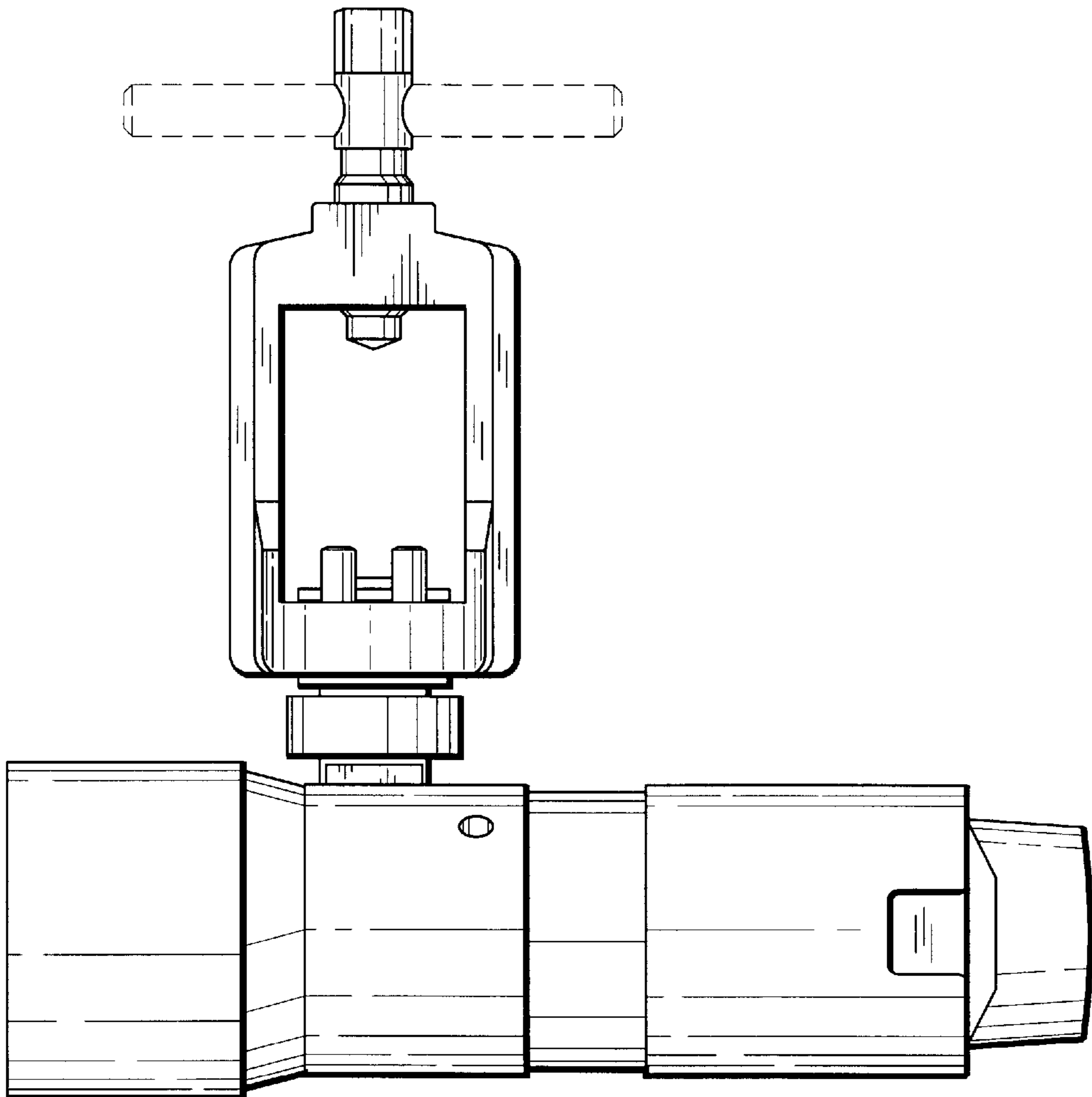
FIG. 4 is a bottom plan view of the gas pressure regulator shown in FIG. 1;

FIG. 5 is an end view from the left side of FIG. 1; and,

FIG. 6 is an end view from the right side of FIG. 1.

The broken line showing is for illustrative purposes only and forms no part of the claimed design.

1 Claim, 3 Drawing Sheets



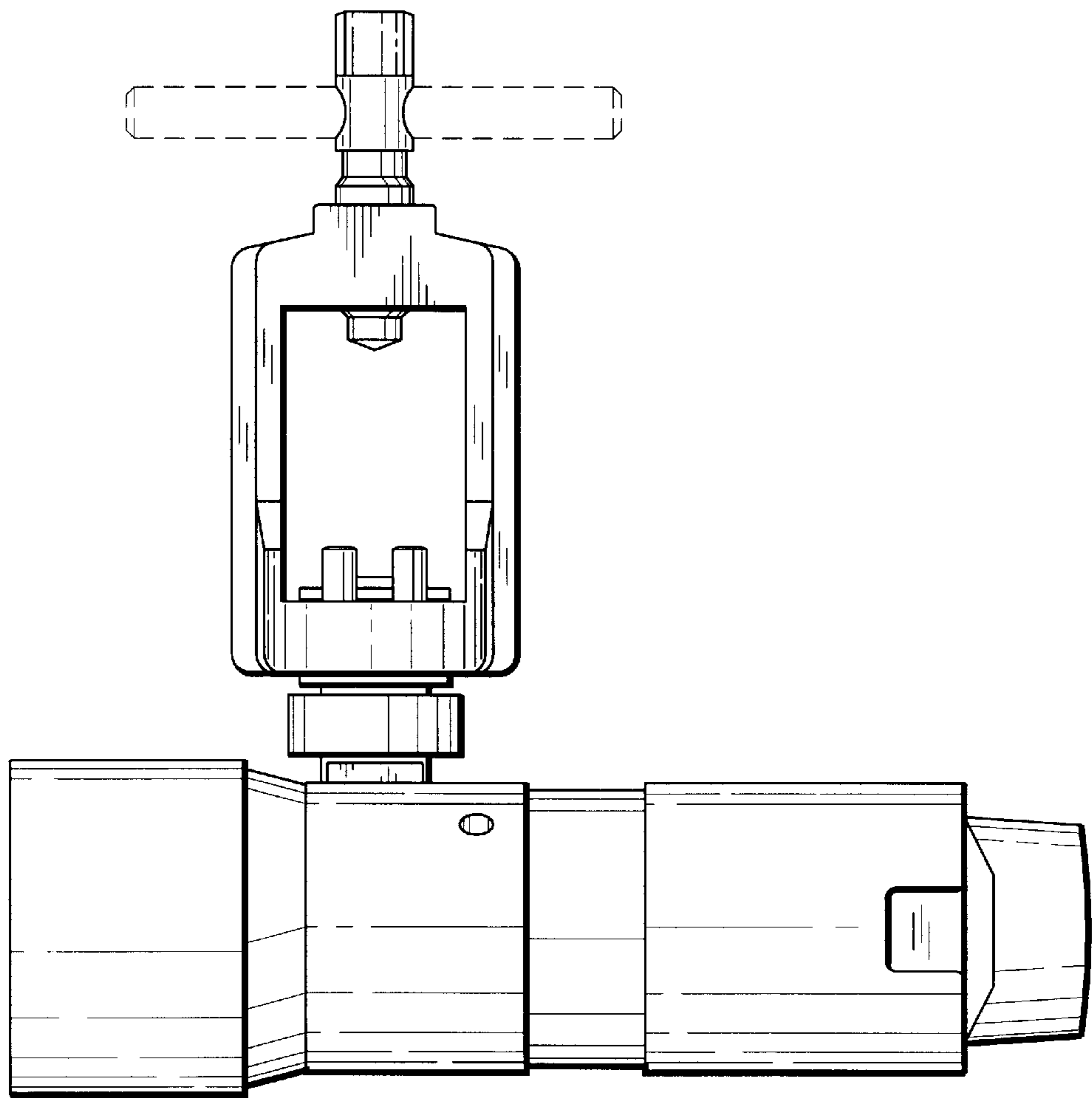


Fig. 1

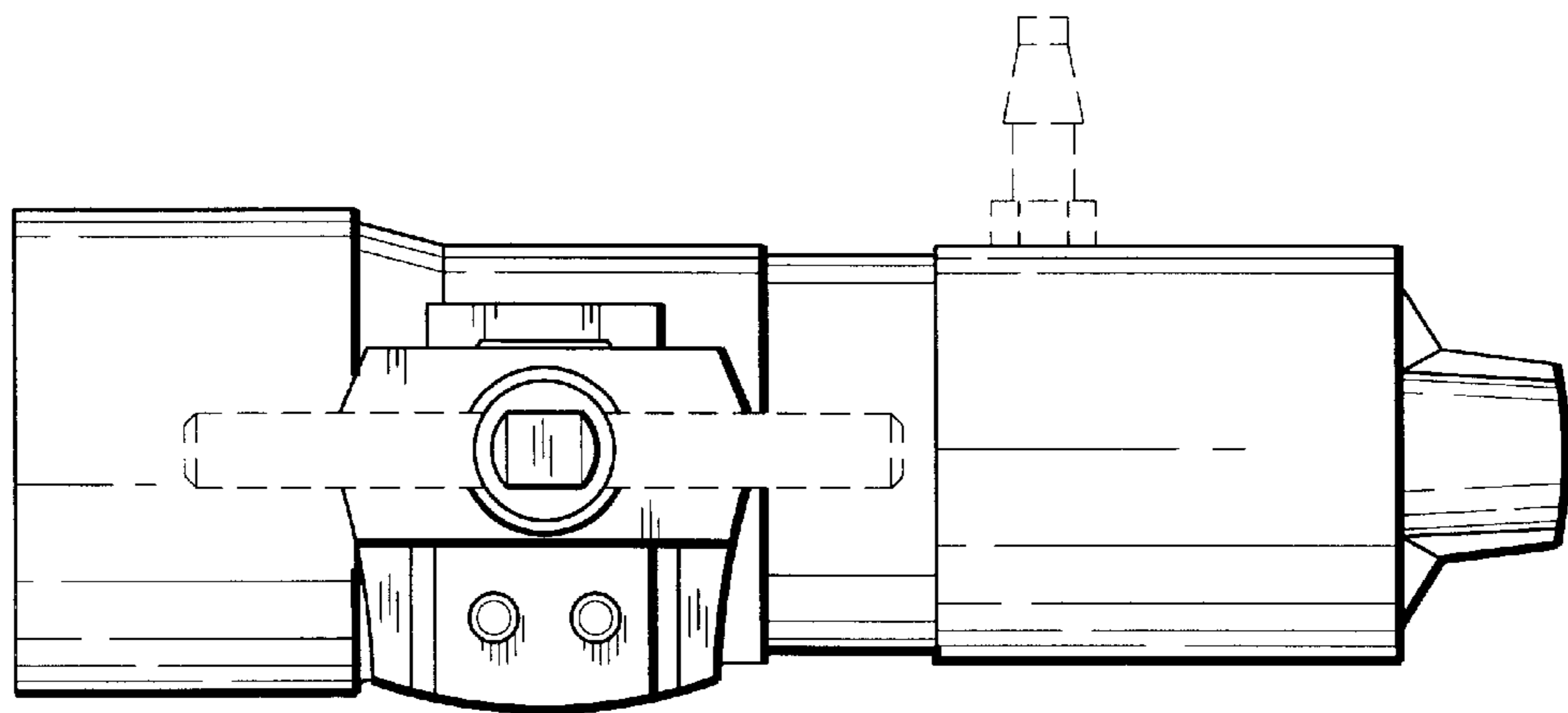


Fig. 2

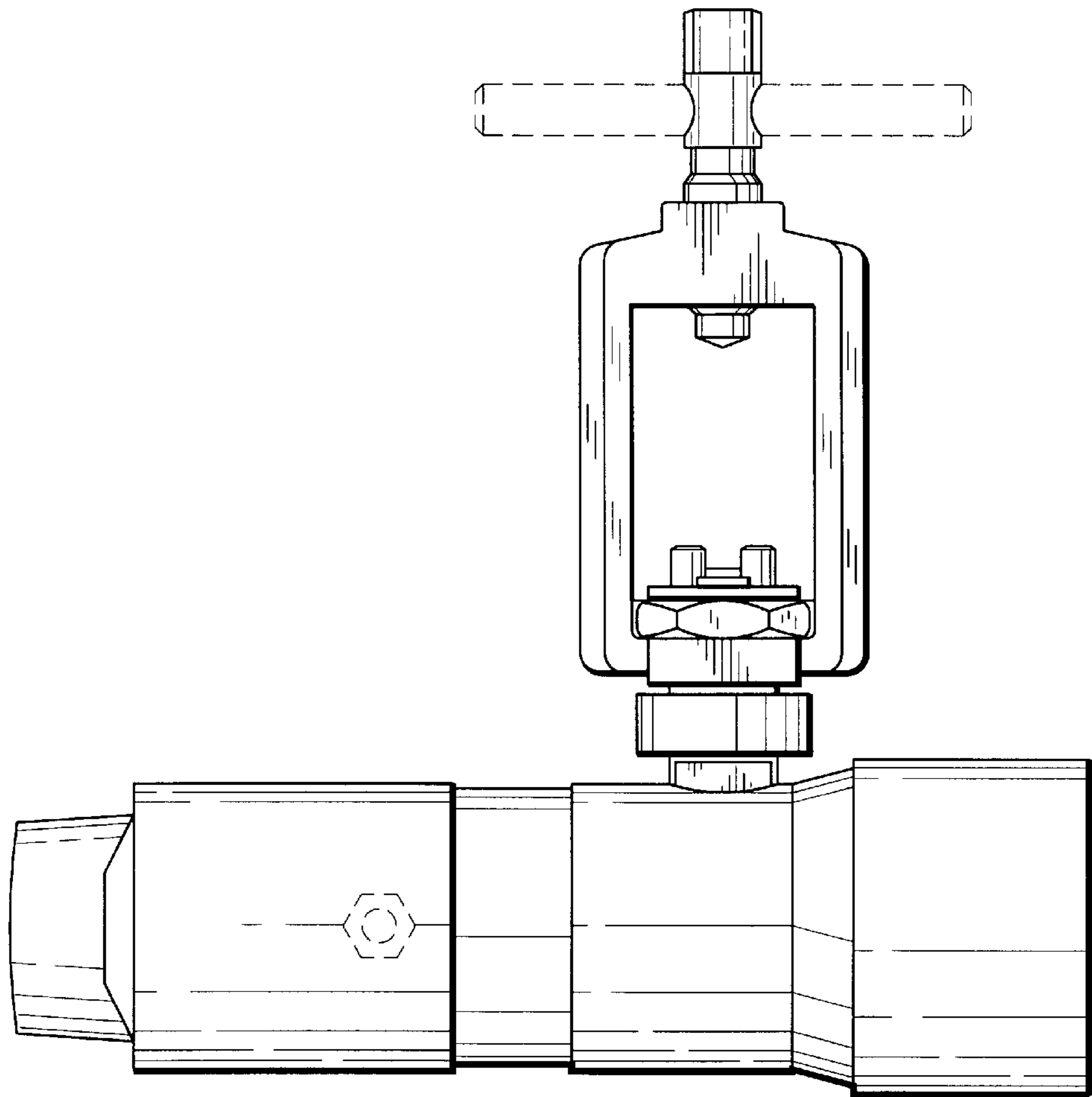


Fig. 3

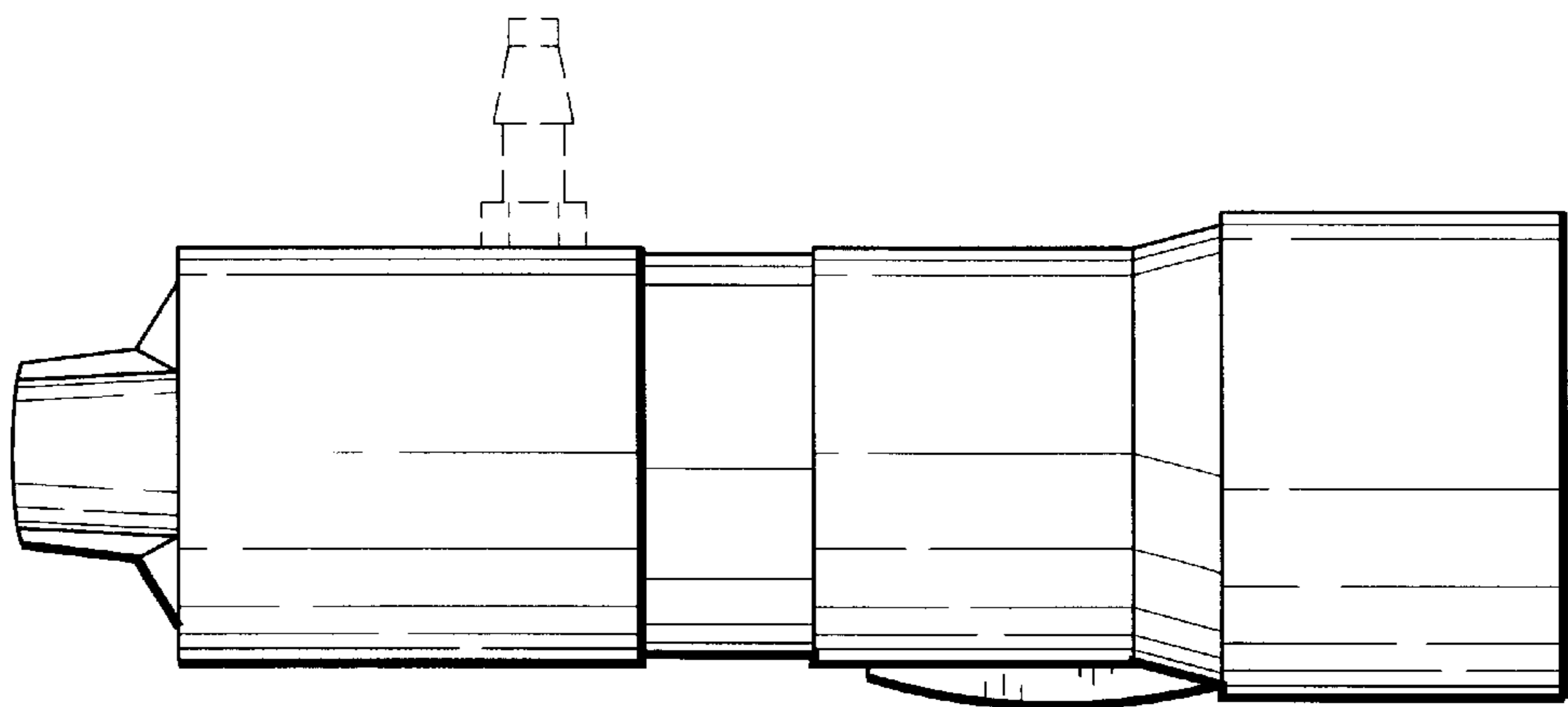


Fig. 4

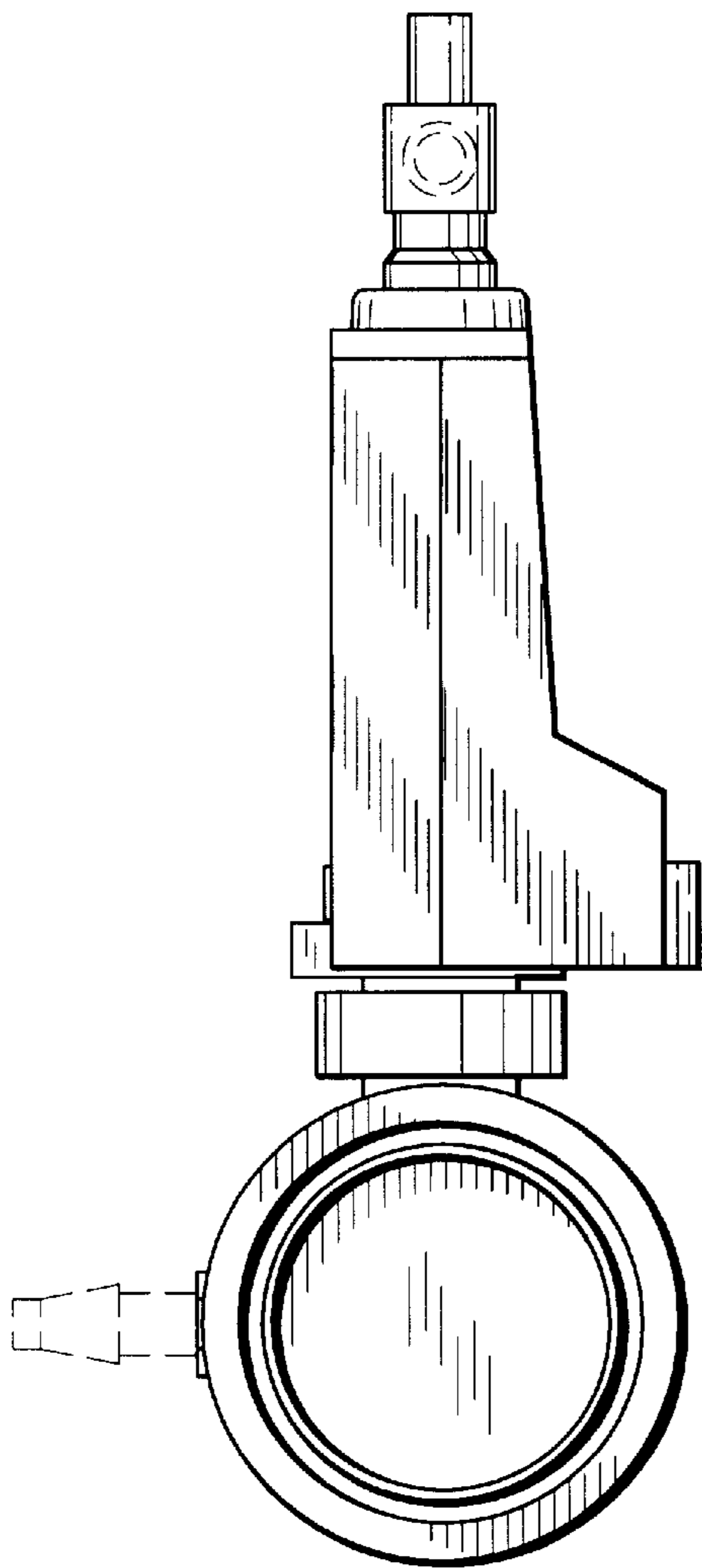


Fig. 5

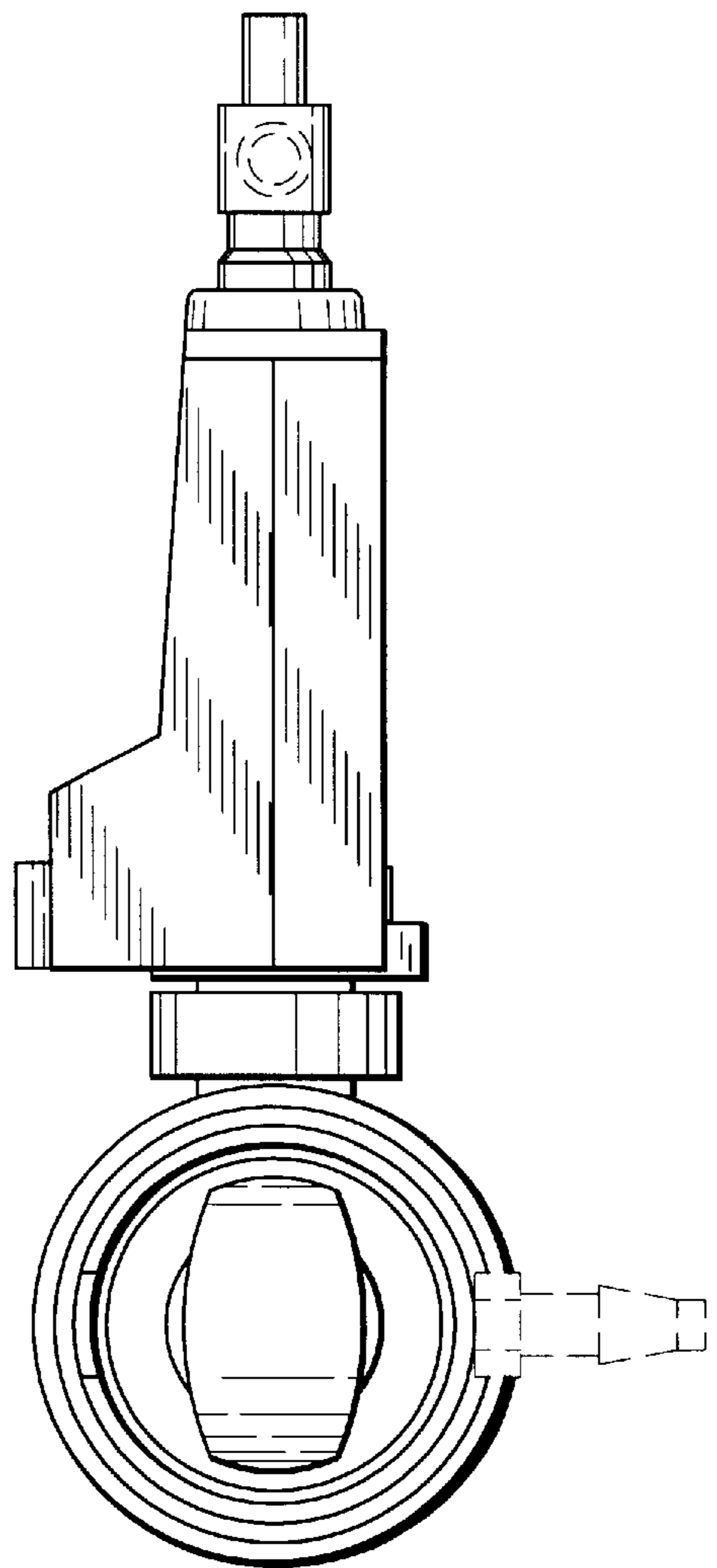


Fig. 6