



US00D401671S

# United States Patent [19]

Lewis et al.

[11] Patent Number: **Des. 401,671**

[45] Date of Patent: **\*\*Nov. 24, 1998**

[54] FILLING VALVE

[76] Inventors: **David Lewis; Donald Walden**, both of  
4335 Bodega Ave., Petaluma, Calif.  
94952

[\*\*] Term: **14 Years**

[21] Appl. No.: **78,055**

[22] Filed: **Oct. 17, 1997**

[51] LOC (6) Cl. .... **23-01**

[52] U.S. Cl. .... **D23/233**

[58] Field of Search ..... D23/233, 235,  
D23/245, 247, 248; 137/542; 251/352,  
349

[56] **References Cited**

**U.S. PATENT DOCUMENTS**

D. 49,067	5/1916	Lunken	.....	D23/233
2,652,067	9/1953	Hosking	.....	137/542
2,862,528	12/1958	Geisler	.....	141/39
3,046,027	7/1962	Meyer	.....	277/180
3,207,172	9/1965	Steer et al.	.....	137/542
3,385,327	5/1968	Granier	.....	141/39
4,653,551	3/1987	Sindermann	.....	141/39

4,949,764	8/1990	Clusserath	.....	141/6
4,976,296	12/1990	Pope	.....	141/46
5,042,536	8/1991	Petri et al.	.....	141/39
5,152,320	10/1992	Zimmerly	.....	137/625.5
5,501,253	3/1996	Weiss	.....	141/40
5,507,808	4/1996	Becker	.....	251/349

*Primary Examiner*—Alan P. Douglas  
*Assistant Examiner*—Robin V. Taylor  
*Attorney, Agent, or Firm*—Goldstein & Associates

[57] **CLAIM**

The ornamental design for a filling valve, as shown and described.

**DESCRIPTION**

FIG. 1 is a diagrammatic perspective view of the filling valve;  
FIG. 2 is a front elevational view thereof;  
FIG. 3 is a rear elevational view thereof;  
FIG. 4 is a right side elevational view of the filling valve;  
FIG. 5 is a left side elevational view thereof;  
FIG. 6 is a top plan view of the filling valve; and,  
FIG. 7 is a bottom plan view thereof.

**1 Claim, 6 Drawing Sheets**

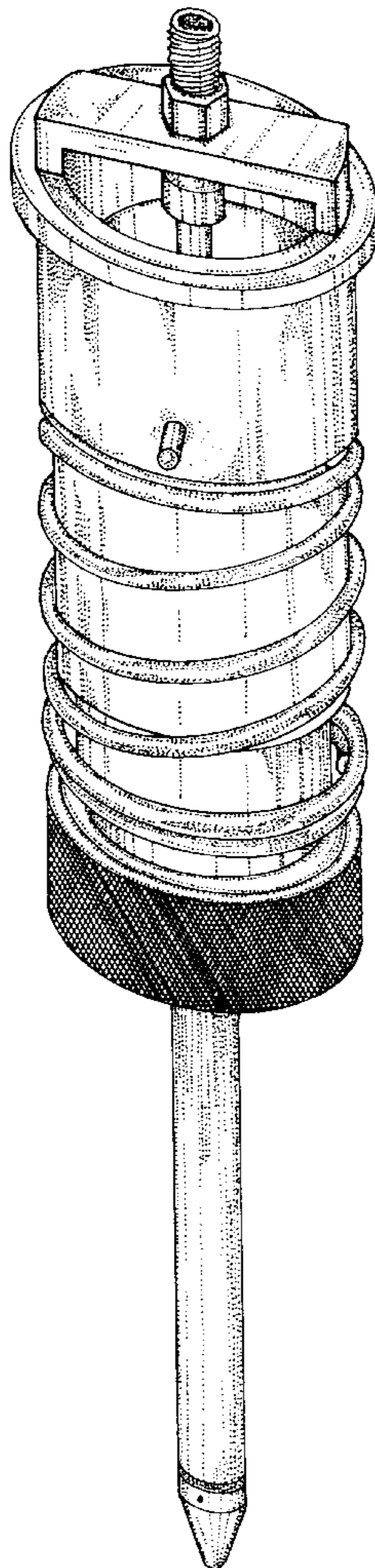


FIG. 1

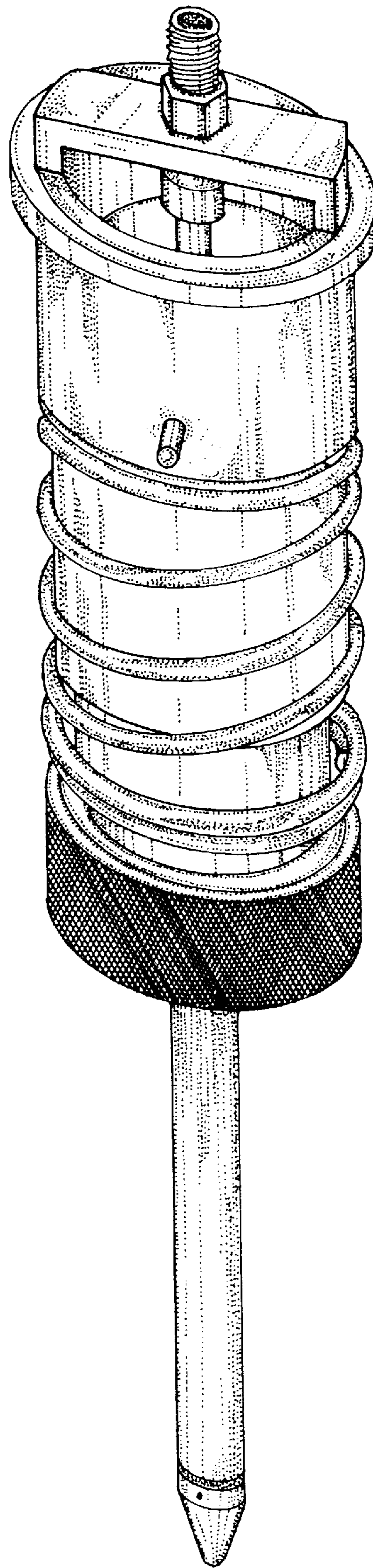


FIG. 2

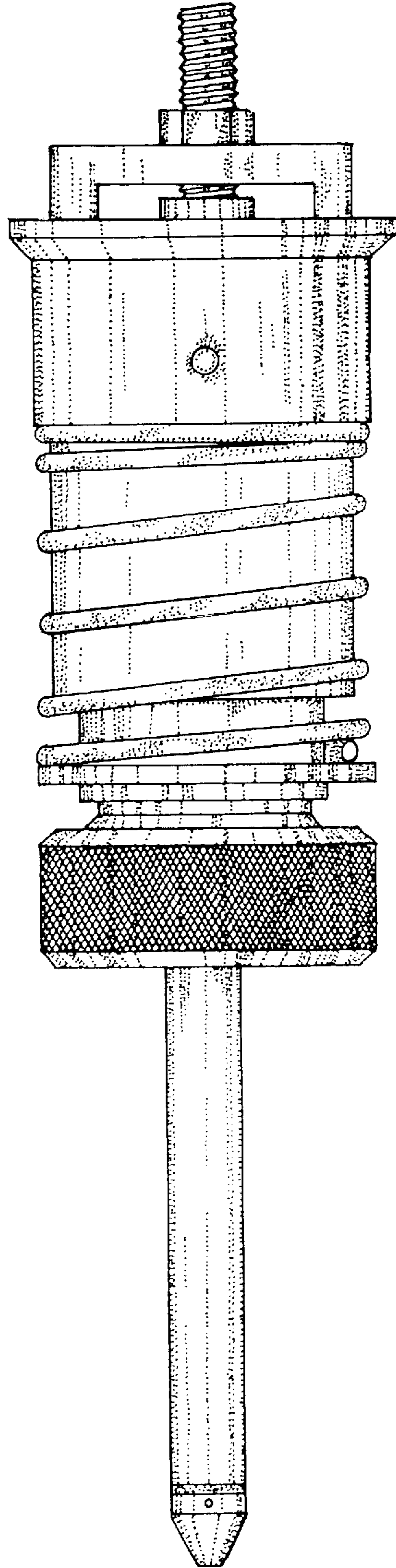


FIG. 3

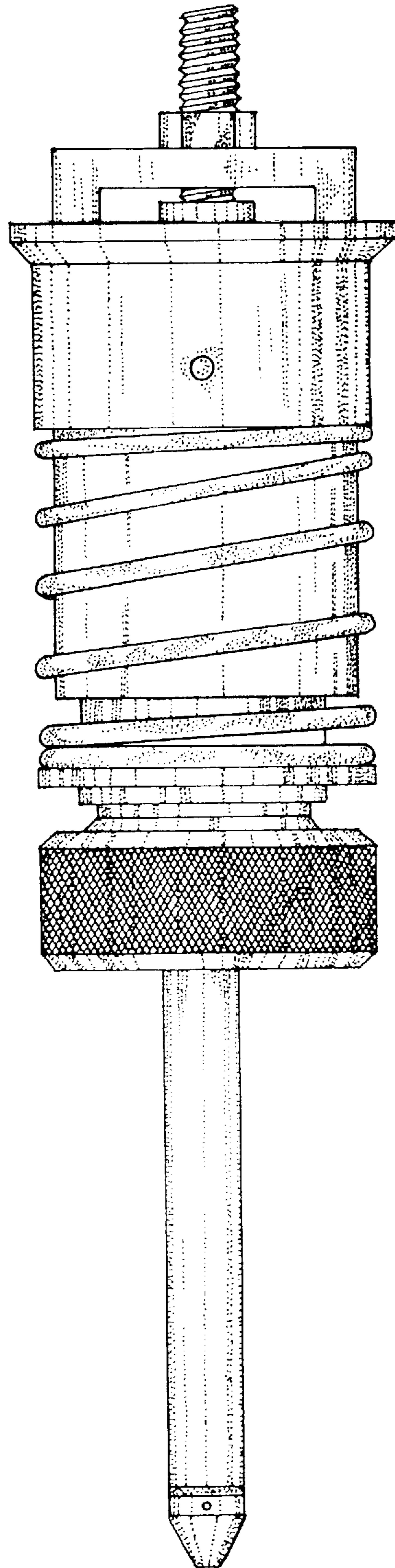


FIG. 4

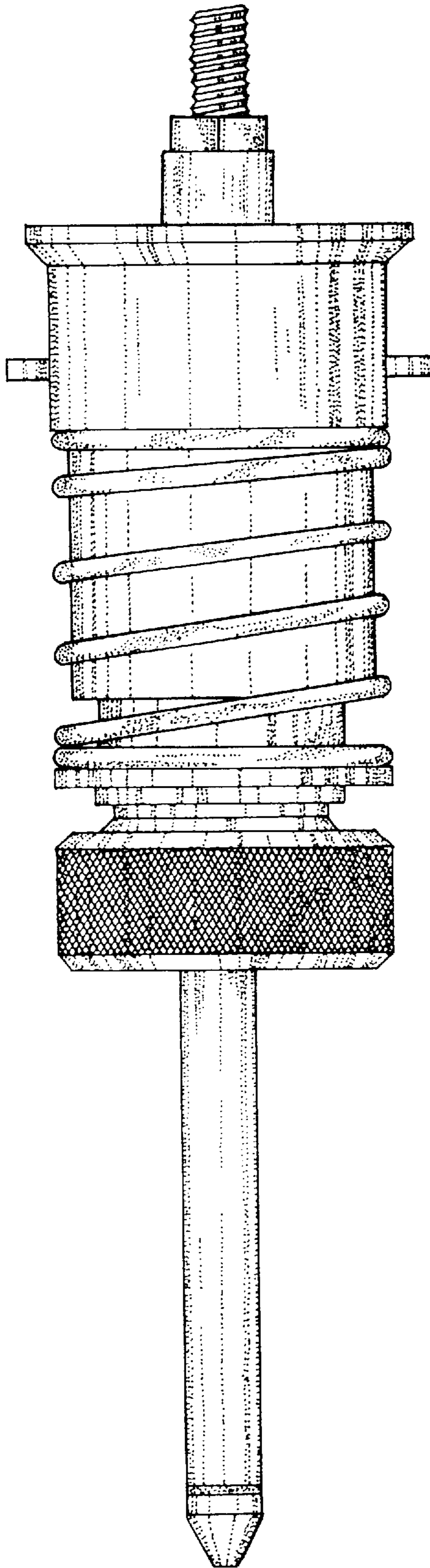


FIG. 5

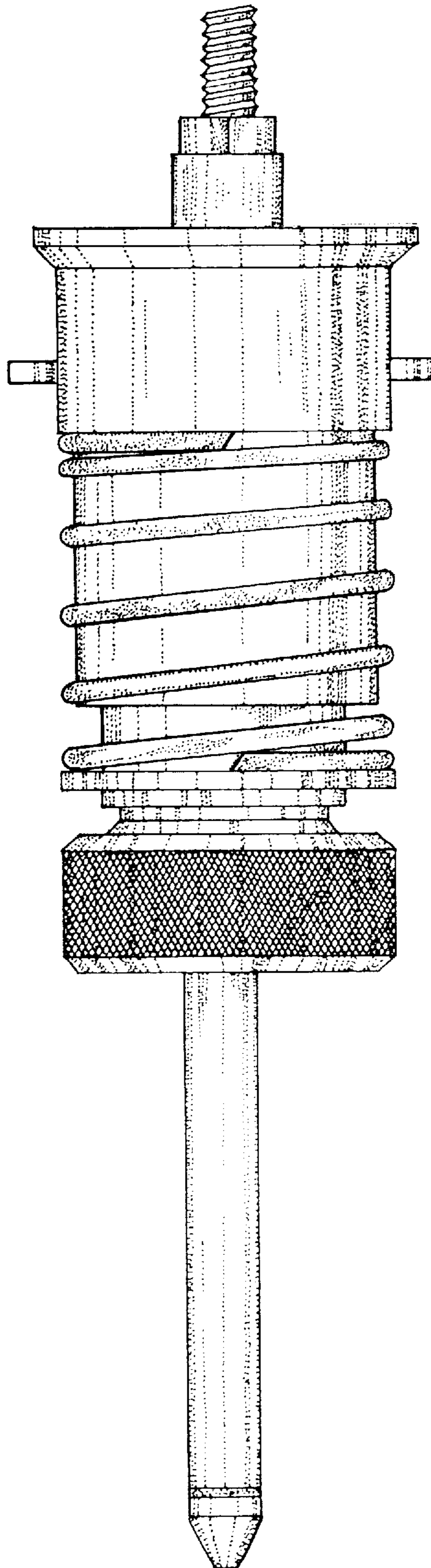


FIG. 6

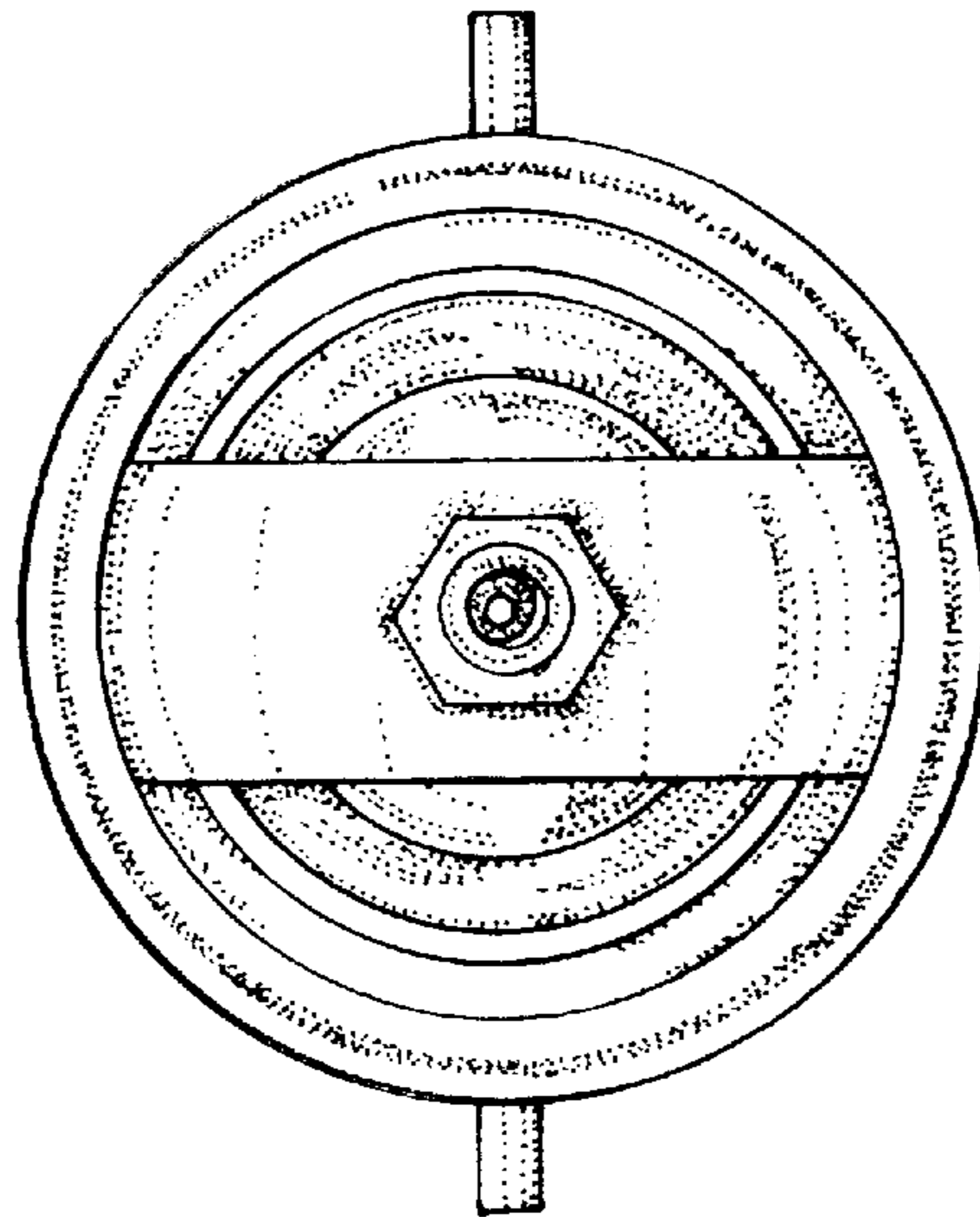


FIG. 7

