



US00D401667S

United States Patent [19]
Tadlock

[11] **Patent Number: Des. 401,667**

[45] **Date of Patent: **Nov. 24, 1998**

[54] **SIMULATIVE STILL**

1,377,923 5/1921 Posa 222/331

[76] Inventor: **Angela D. Tadlock**, 4208 Powell St.,
Parkersburg, W. Va. 26101

Primary Examiner—Alan P. Douglas
Assistant Examiner—Robin V. Taylor

[**] Term: **14 Years**

[57] **CLAIM**

[21] Appl. No.: **79,720**

The ornamental design for a simulative still, as shown and described.

[22] Filed: **Nov. 21, 1997**

DESCRIPTION

[51] **LOC (6) Cl.** **23-01**

[52] **U.S. Cl.** **D23/207**

[58] **Field of Search** D23/200, 207,
D23/209, 211, 212; D11/157; D9/523, 503,
504; 202/183; 203/12

FIG. 1 is a top perspective view of a simulative still and showing my new design;

FIG. 2 is a front elevational view thereof;

FIG. 3 is a left side elevational view thereof;

FIG. 4 is a rear elevational view thereof;

FIG. 5 is a right side elevational view thereof;

FIG. 6 is a top plan view thereof; and,

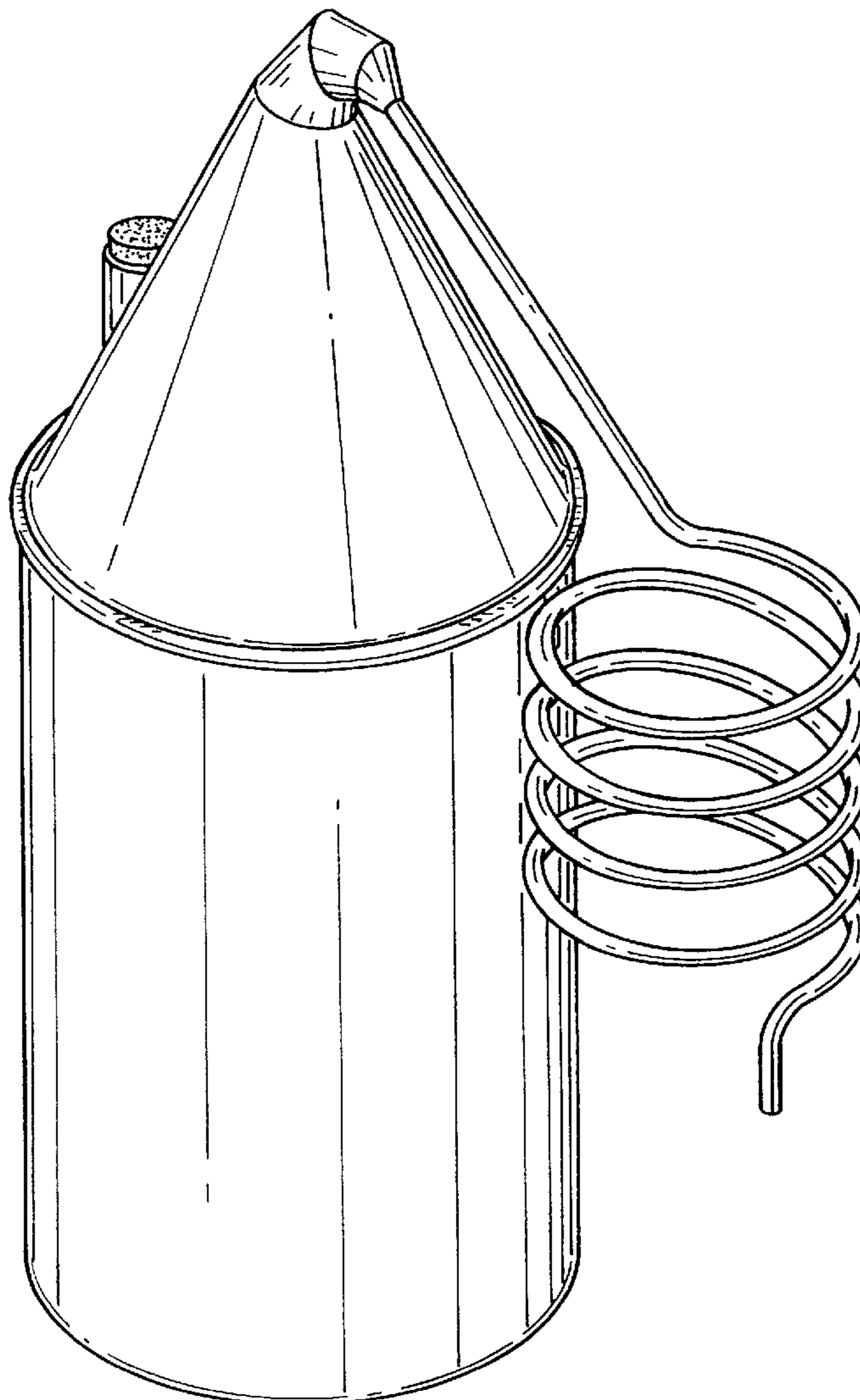
FIG. 7 is a bottom plan view thereof.

[56] **References Cited**

U.S. PATENT DOCUMENTS

- D. 196,108 8/1963 Gerber D23/207
- D. 249,540 9/1978 Giovagnoli D23/207

1 Claim, 4 Drawing Sheets



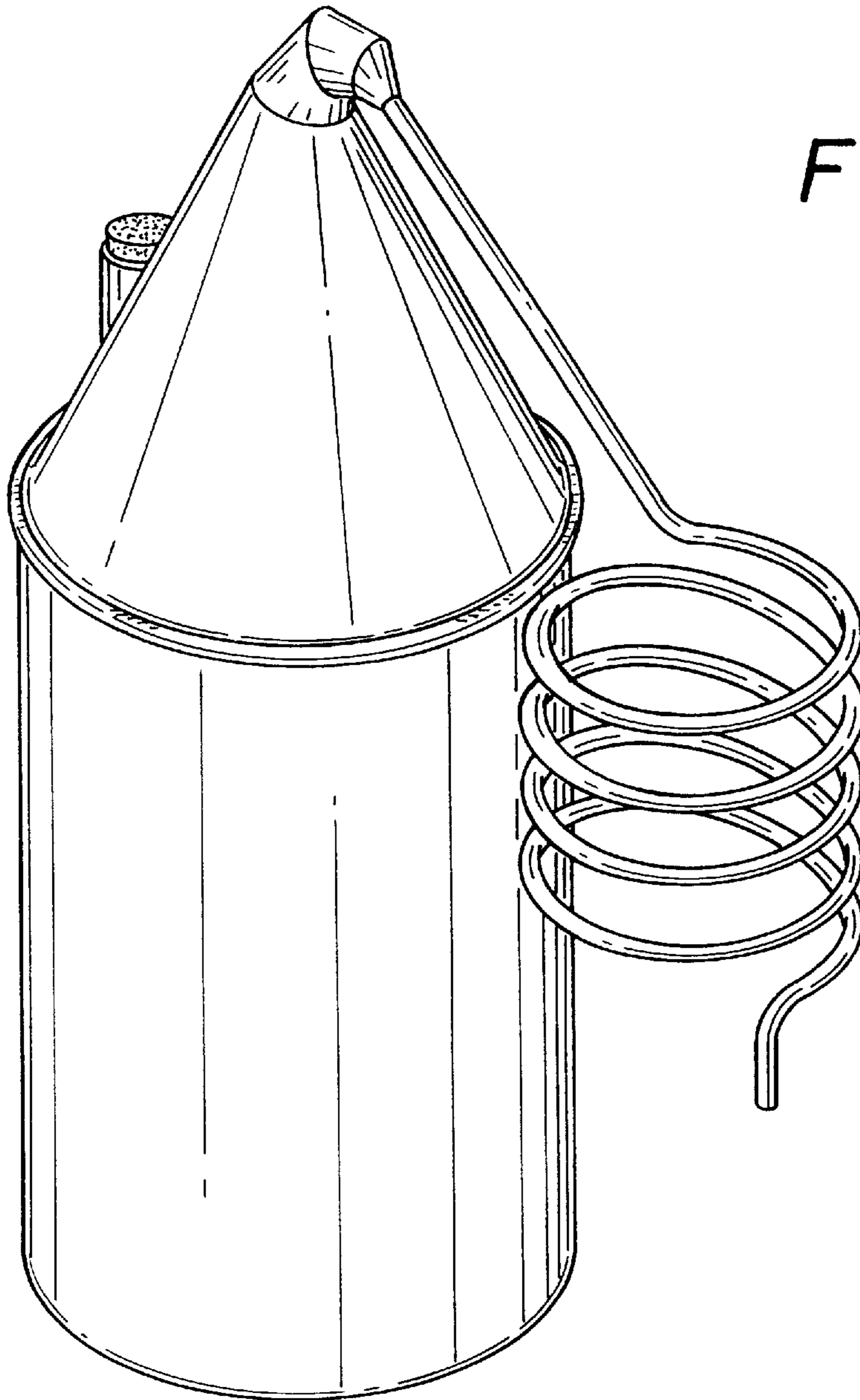


FIG. 1

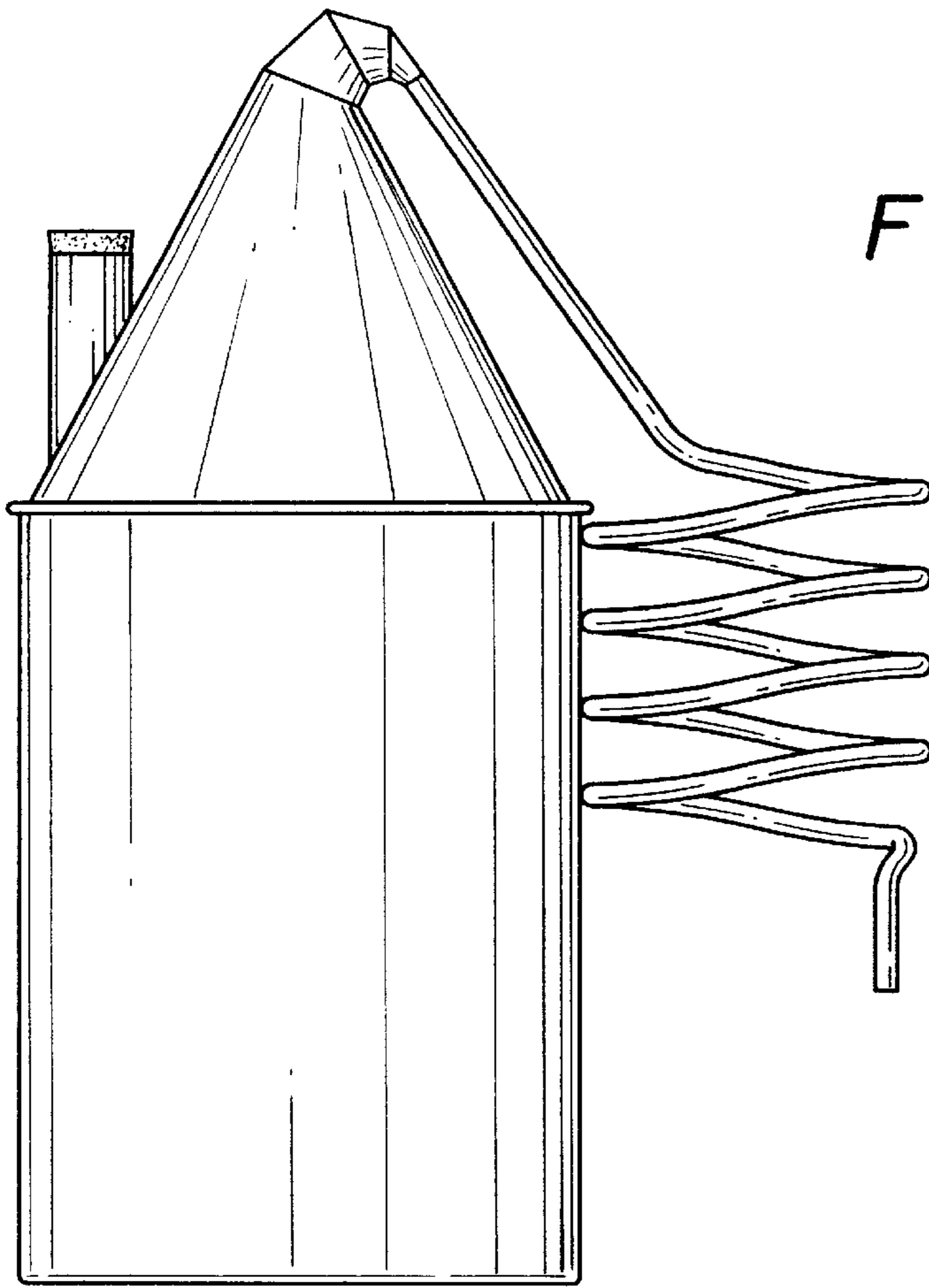


FIG. 2

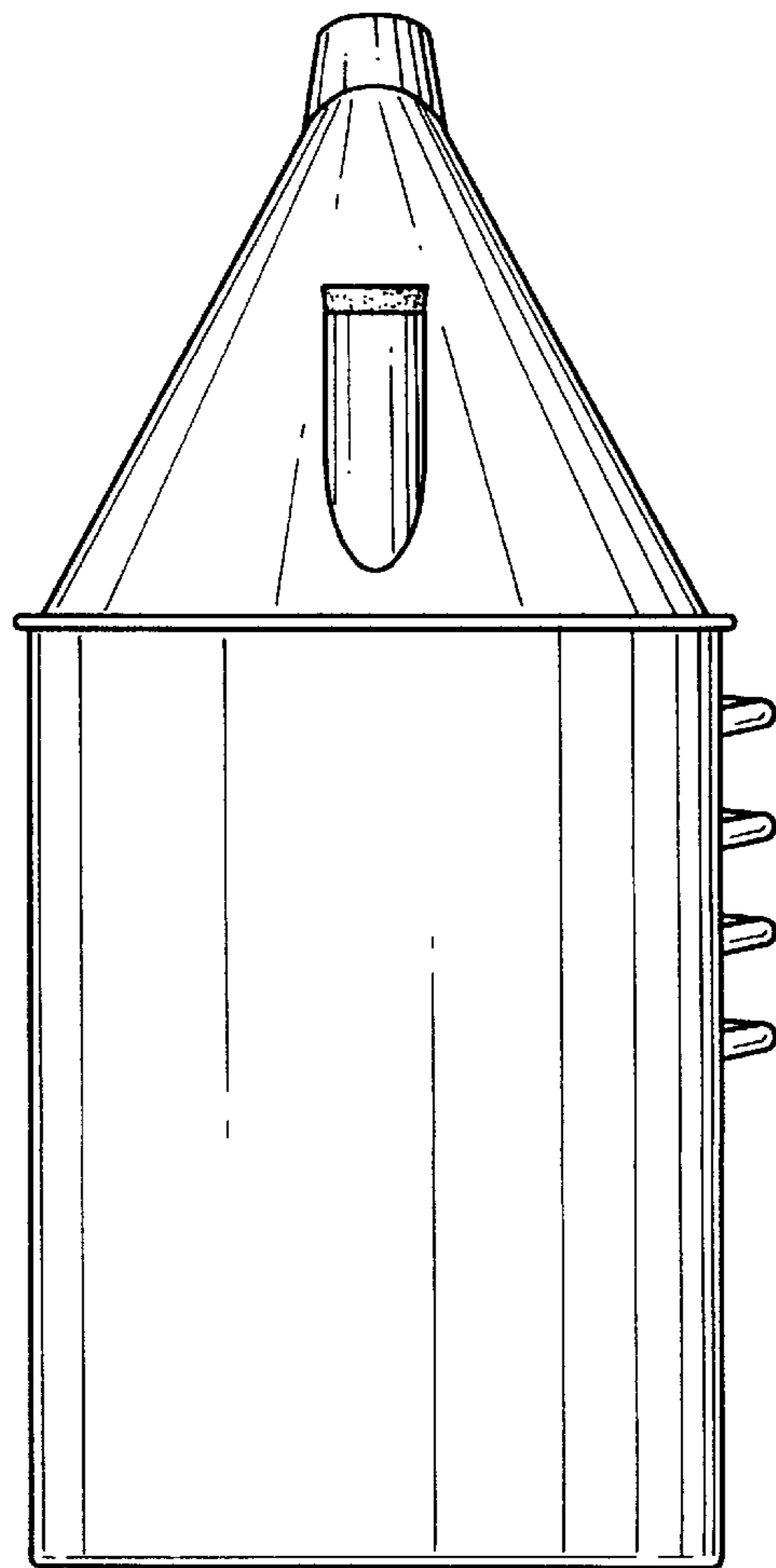


FIG. 3

FIG. 4

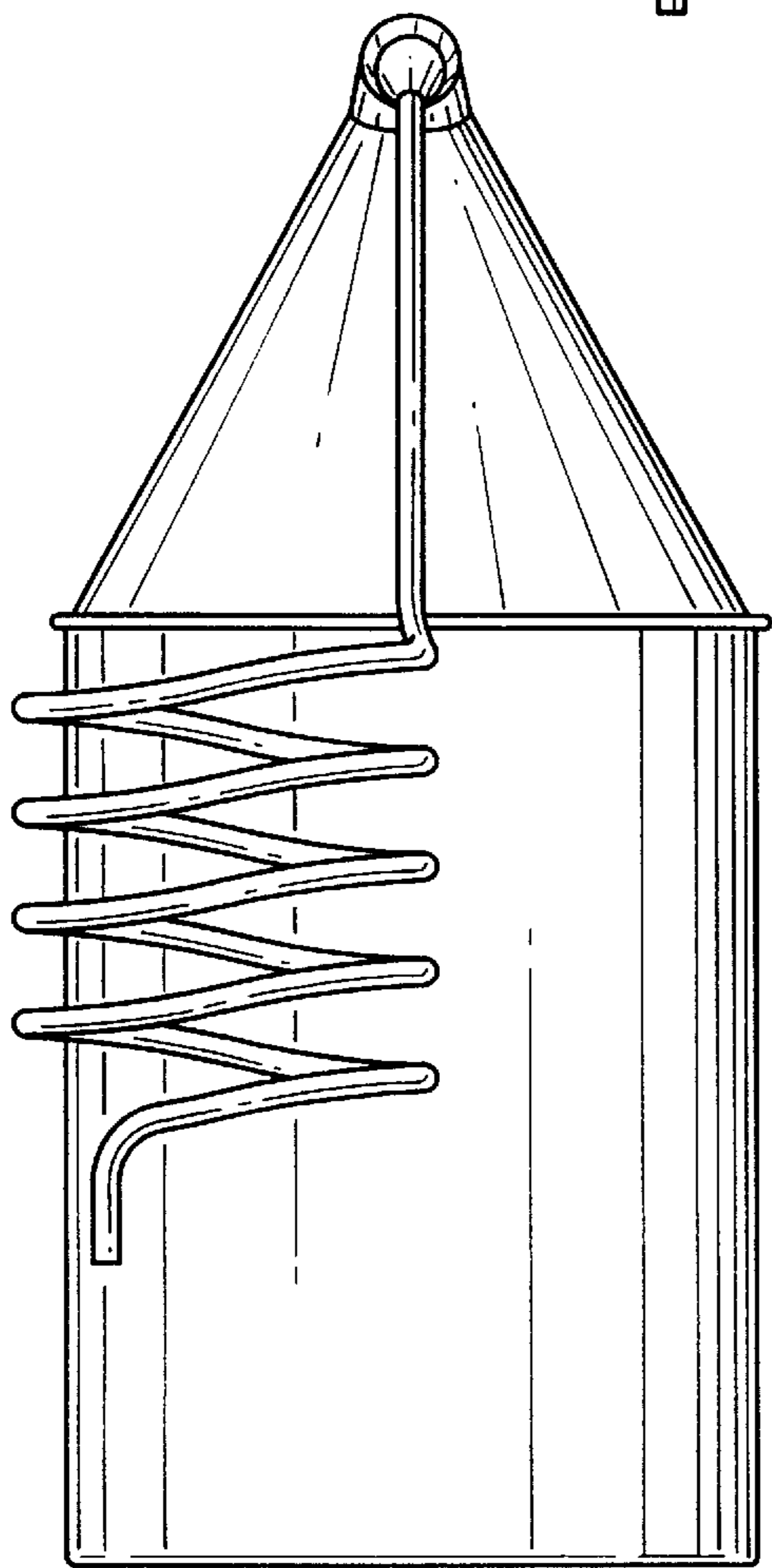
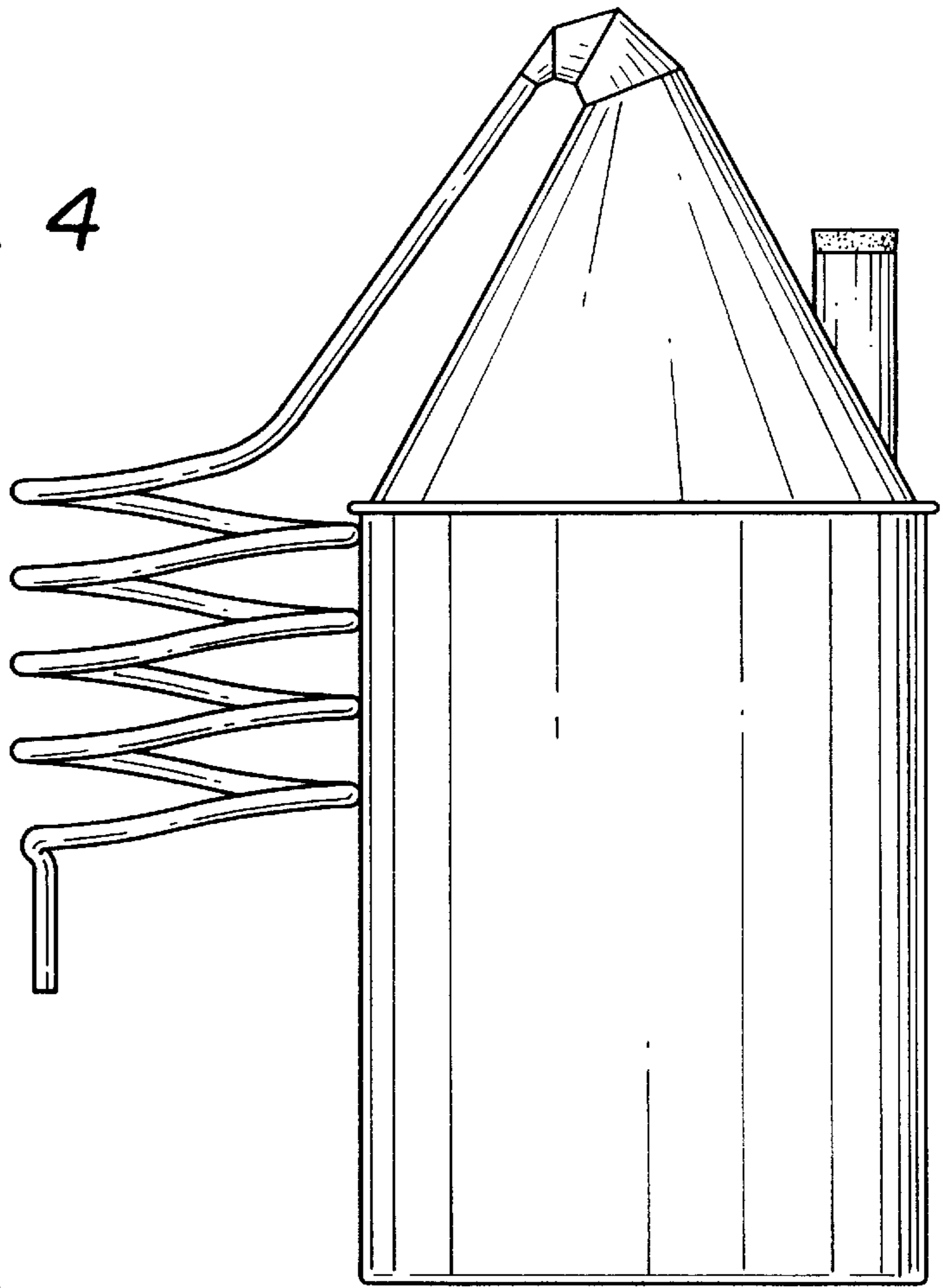


FIG. 5

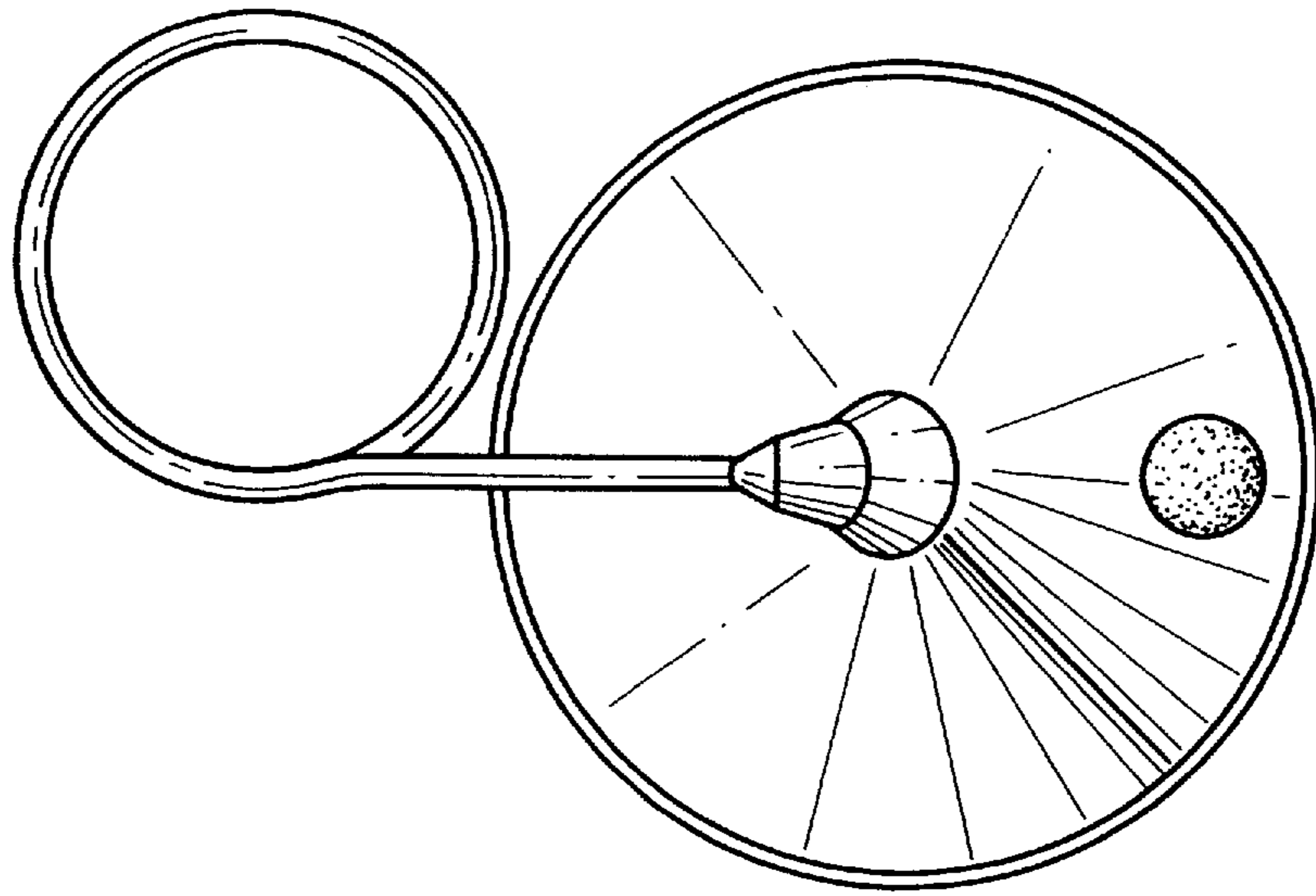


FIG. 6

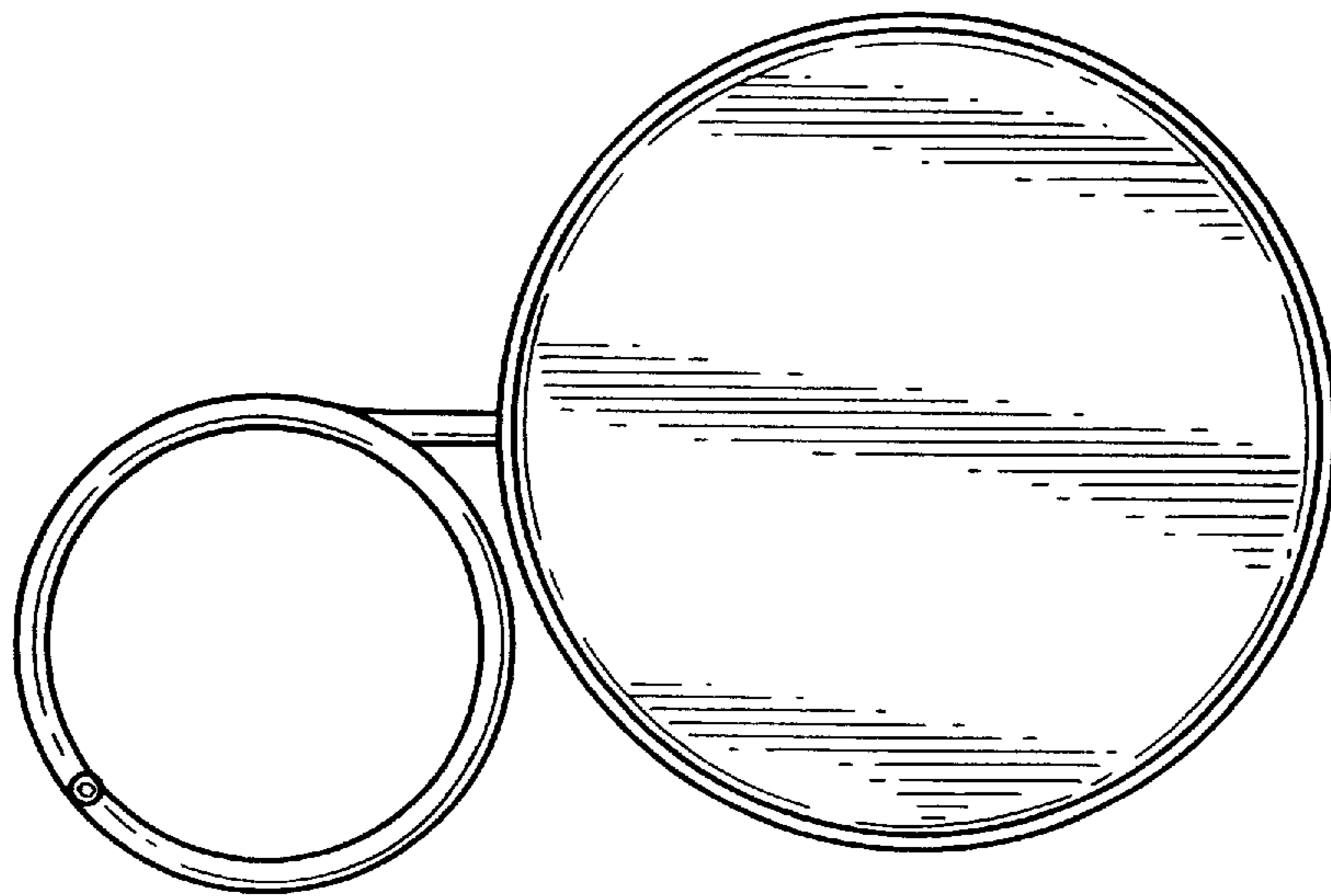


FIG. 7