



US00D401665S

United States Patent [19]

Kondoh et al.

[11] **Patent Number: Des. 401,665**

[45] **Date of Patent: **Nov. 24, 1998**

[54] **FISHING REEL BODY**

5,540,397 7/1996 Yoshikawa et al. 242/283

[75] Inventors: **Takashi Kondoh**, Musashino; **Yukio Itoh**; **Shigeo Mimura**, both of Higashikurme, all of Japan

FOREIGN PATENT DOCUMENTS

57-568907 1/1982 Japan .
913320 11/1994 Japan .

[73] Assignee: **Daiwa Seiko, Inc.**, Tokyo, Japan

Primary Examiner—Doris V. Coles
Attorney, Agent, or Firm—Laff, Whitesel, Conte & Saret, Ltd.

[**] Term: **14 Years**

[21] Appl. No.: **76,979**

[57] CLAIM

[22] Filed: **Sep. 22, 1997**

The ornamental design for fishing reel body, as shown and described.

[30] Foreign Application Priority Data

DESCRIPTION

Mar. 25, 1997 [JP] Japan 9-8398

[51] **LOC (6) Cl.** **22-05**

[52] **U.S. Cl.** **D22/141**

[58] **Field of Search** D22/140, 141;
242/224, 230–233, 245–246, 283

FIG. 1 is a front, top and right side perspective view of fishing reel body, showing our new design;
FIG. 2 is a rear, top and left side perspective view thereof;
FIG. 3 is a front elevational view thereof;
FIG. 4 is a rear elevational view thereof;
FIG. 5 is a top plan view thereof;
FIG. 6 is a bottom plan view thereof;
FIG. 7 is a left side elevational view thereof; and,
FIG. 8 is a right side elevational view thereof.

[56] References Cited

U.S. PATENT DOCUMENTS

- D. 326,499 5/1992 Nouma D22/141
- D. 327,312 6/1992 Myojo D22/141
- D. 331,958 12/1992 Robbins D22/141
- D. 352,761 11/1994 Sakurai D22/141
- D. 352,763 11/1994 Myojo et al. D22/141

The broken line showing of environment in FIGS. 1–8 is for illustrative purposes only and forms no part of the claimed design.

1 Claim, 4 Drawing Sheets

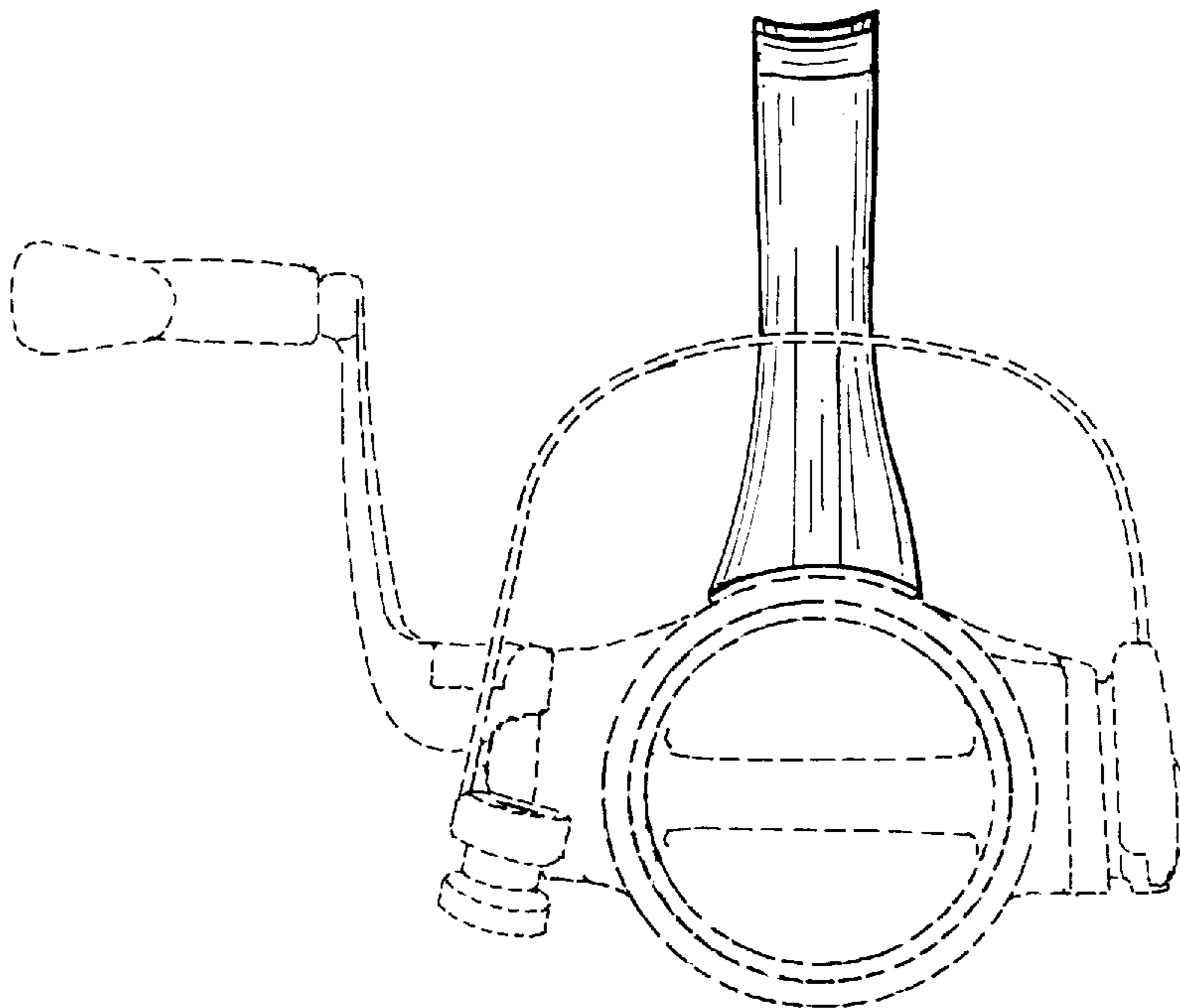


FIG. 1

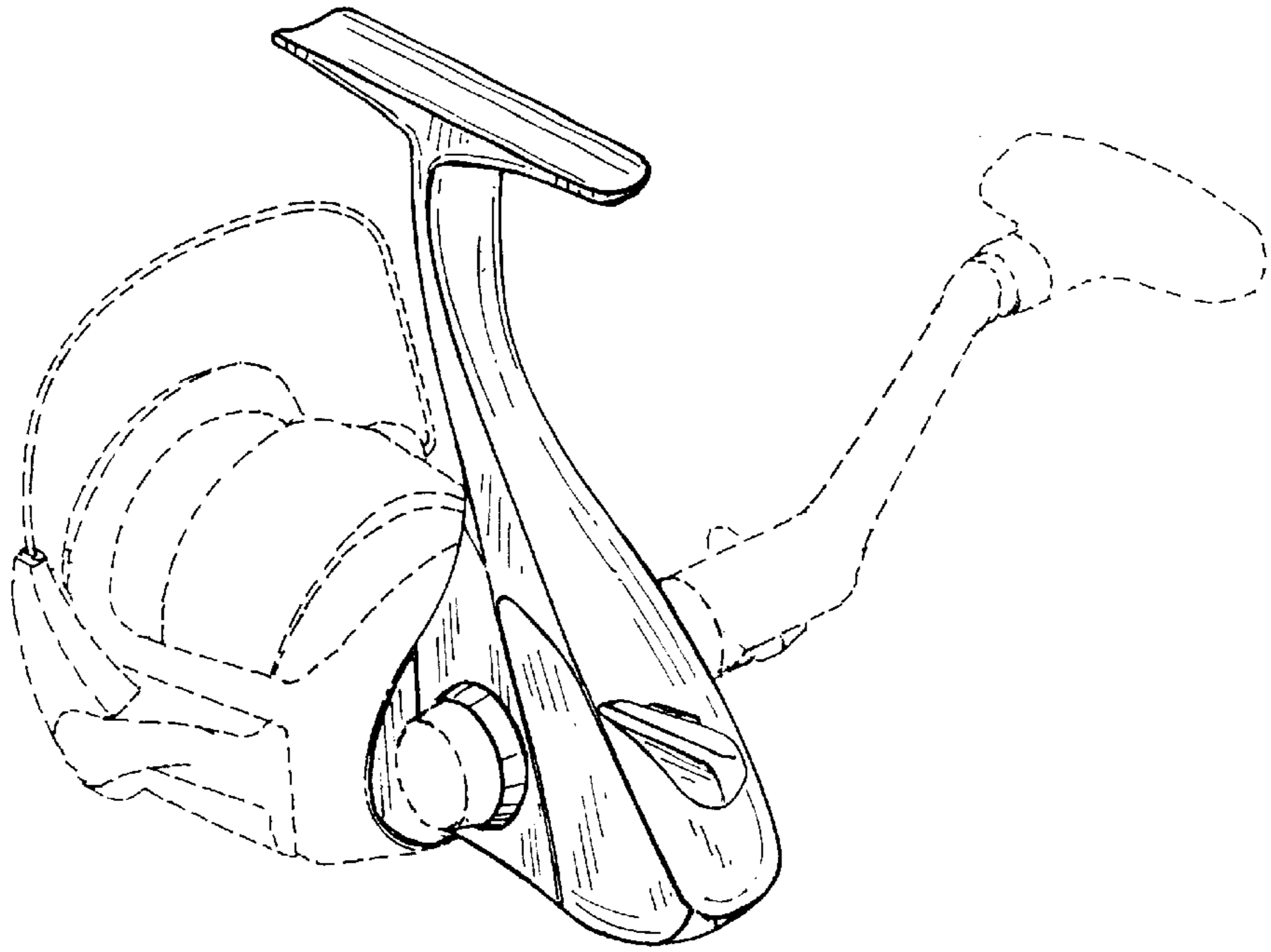


FIG. 2

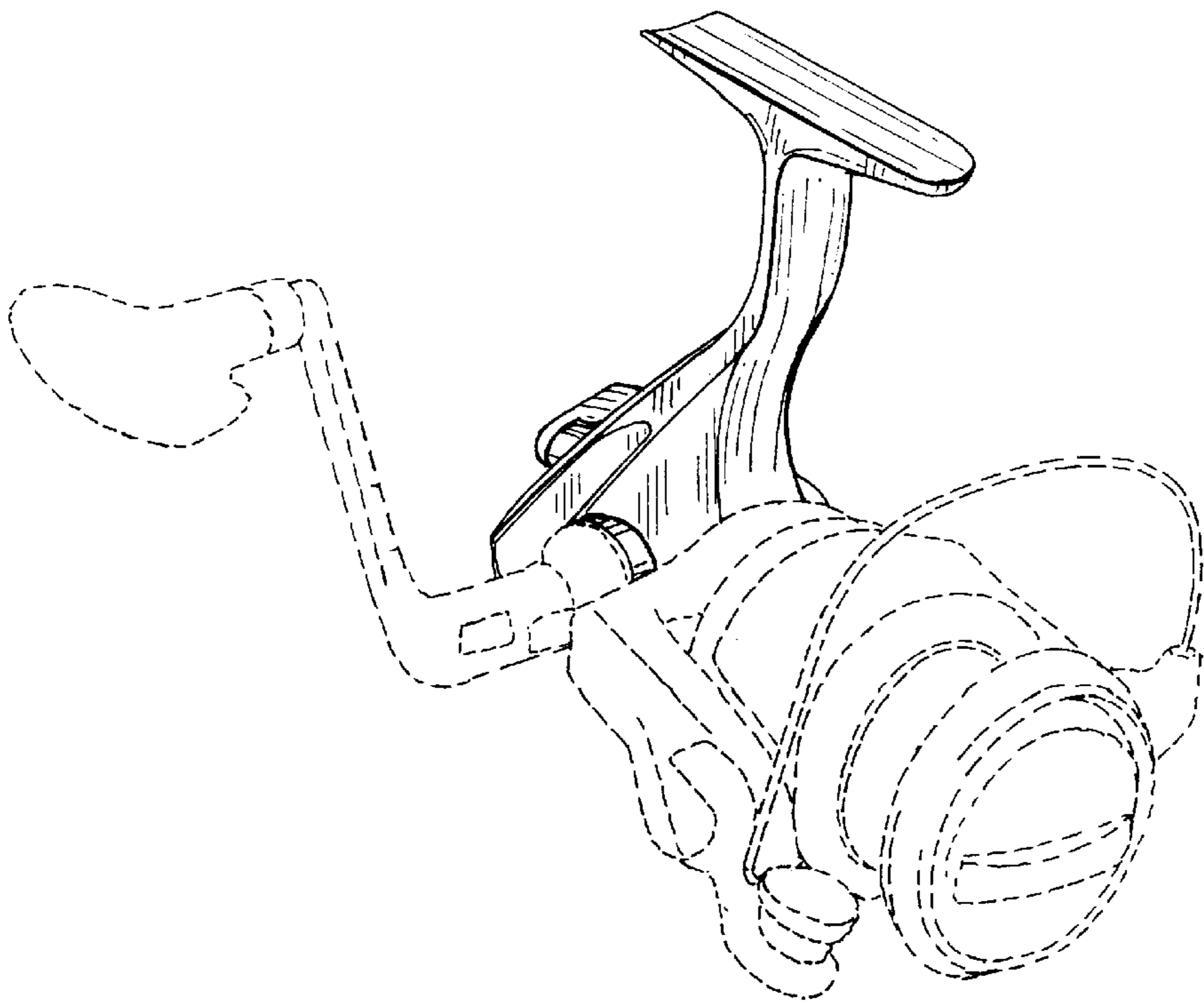


FIG. 3

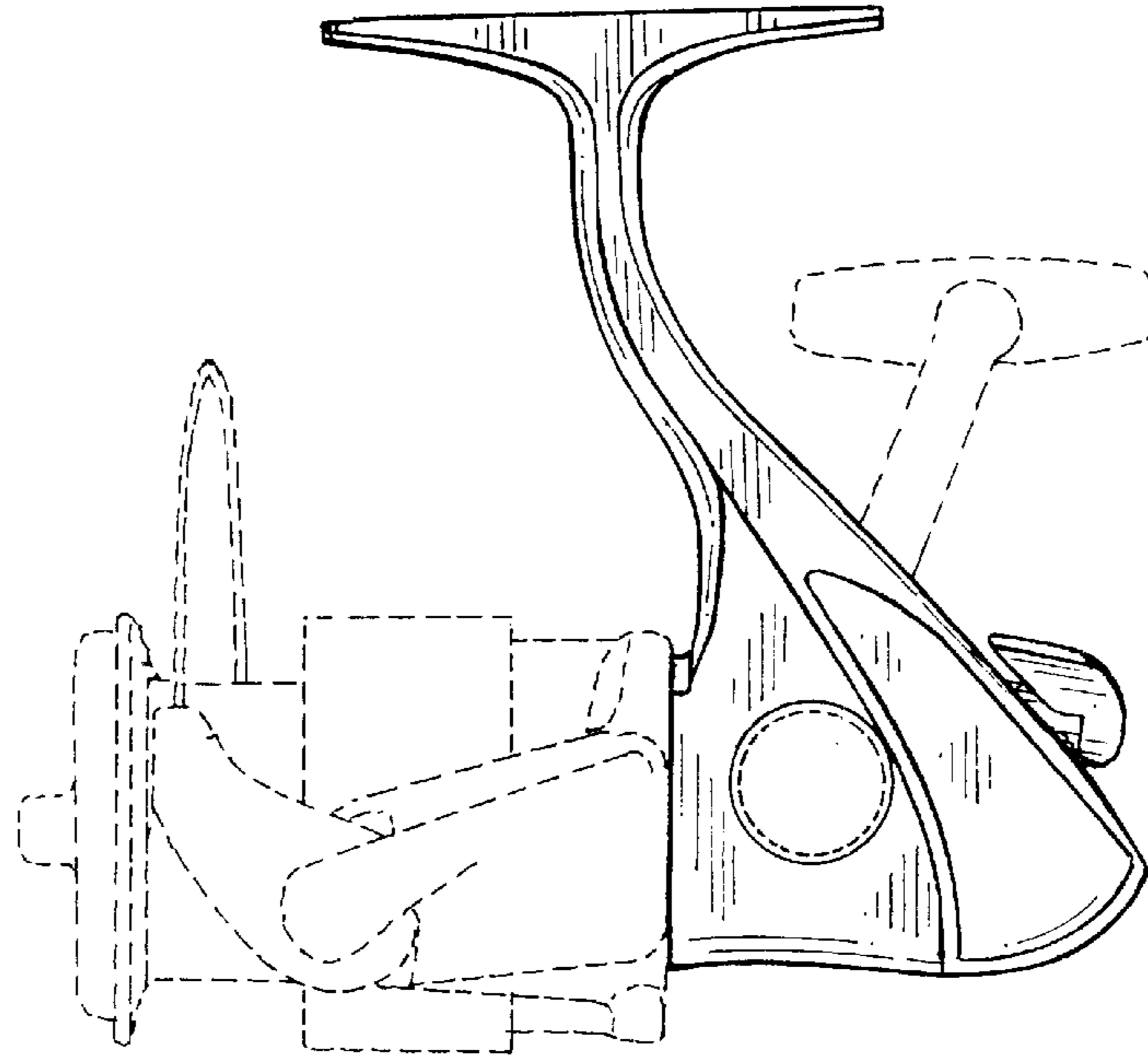


FIG. 4

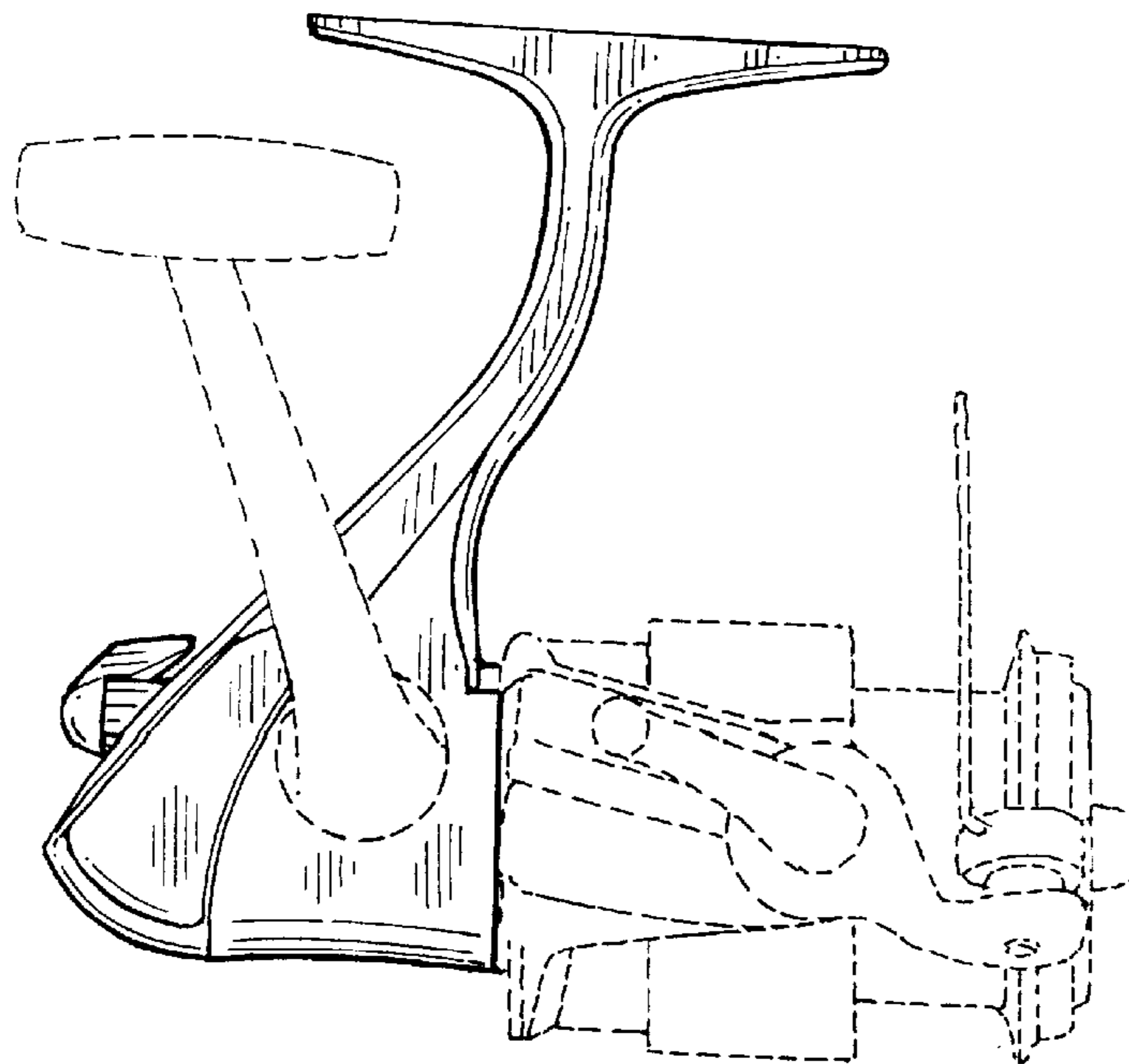


FIG. 5

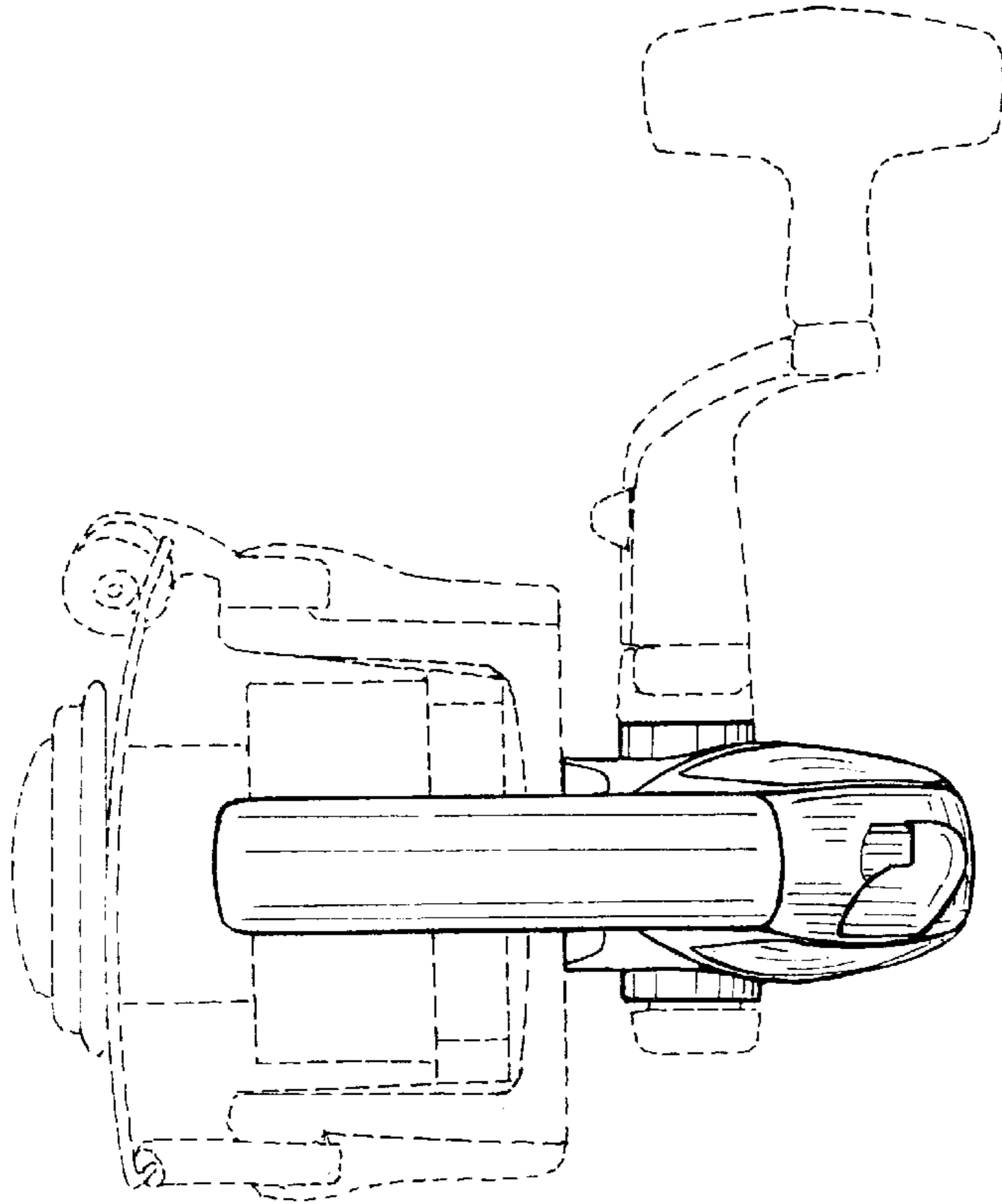


FIG. 6

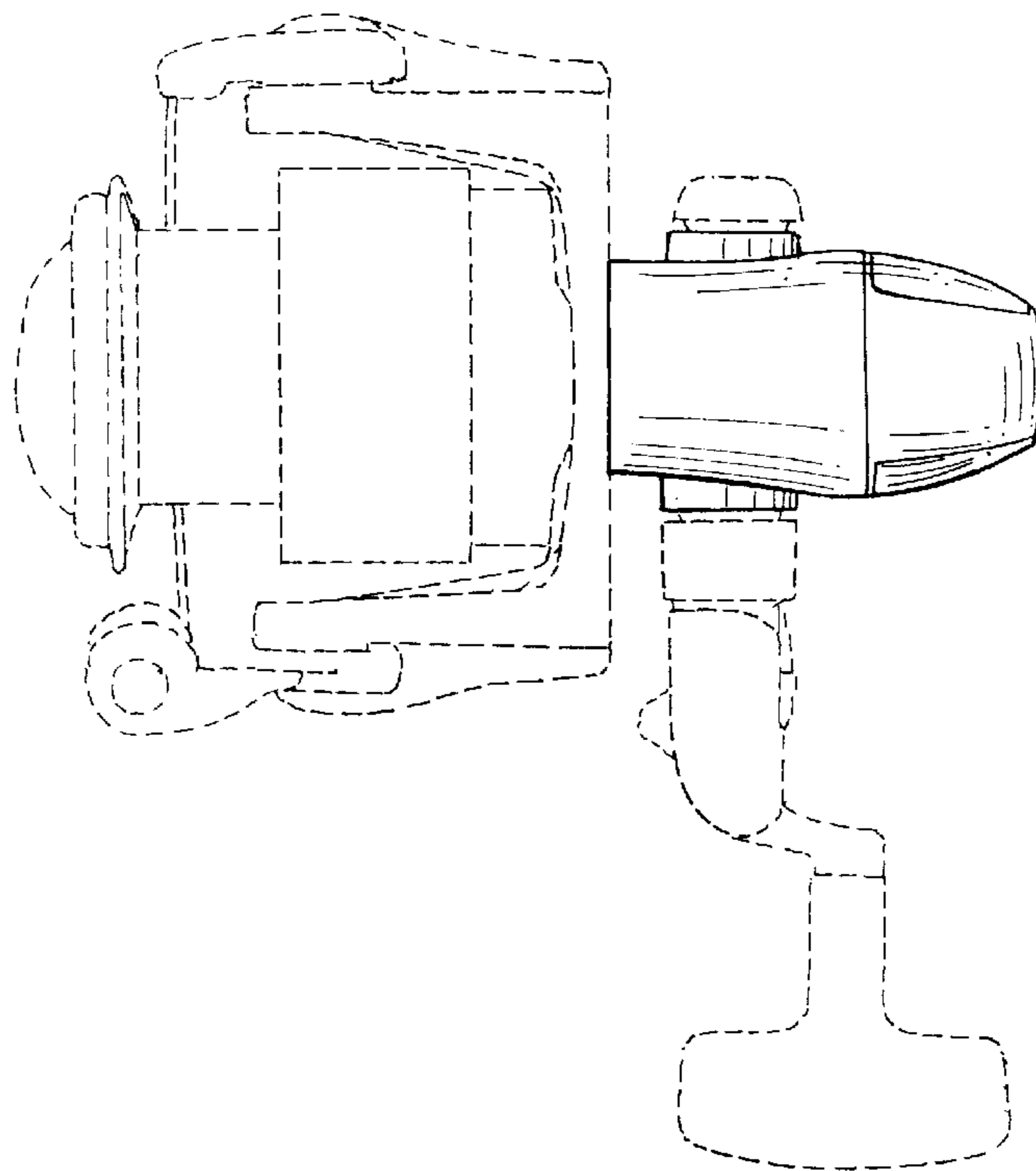


FIG. 7

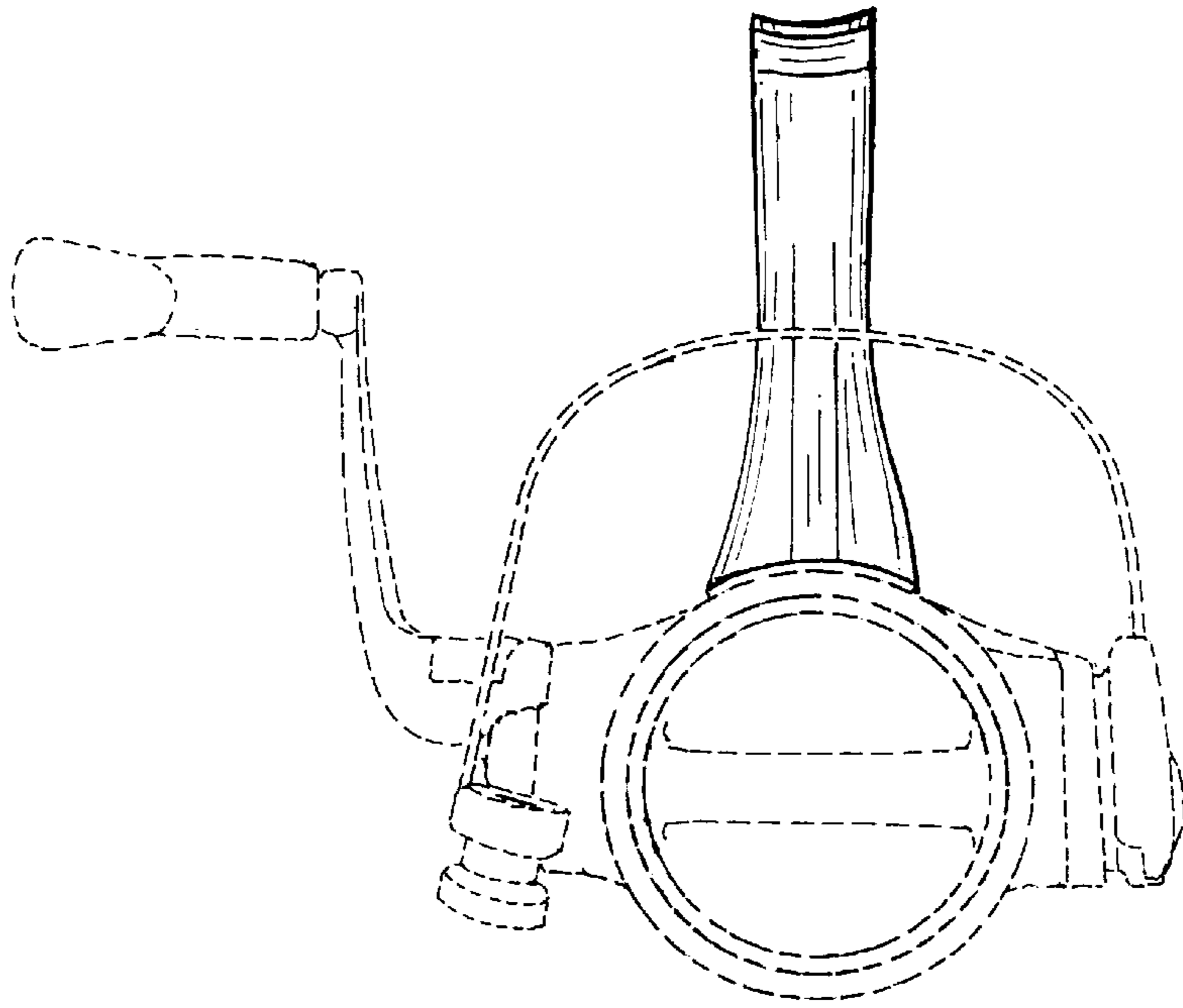


FIG. 8

