



US00D401664S

**United States Patent** [19]  
**Henriksson et al.**

[11] **Patent Number: Des. 401,664**

[45] **Date of Patent: \*\*Nov. 24, 1998**

[54] **FISHING REEL FRAME**

D. 327,112 6/1992 Myojo ..... D22/141

[75] Inventors: **Bengt-Åke Henriksson**, Svängsta;  
**Lars-Olof Carlsson**, Asarum, both of  
Sweden

*Primary Examiner*—Doris V. Coles  
*Attorney, Agent, or Firm*—Browdy and Neimark

[73] Assignee: **Berkley Inc.**, Spirit Lake, Iowa

[57] **CLAIM**

[\*\*] Term: **14 Years**

The ornamental design for a fishing reel frame, as shown and described.

[21] Appl. No.: **70,557**

**DESCRIPTION**

[22] Filed: **May 9, 1997**

FIG. 1 is a perspective view showing the top side, the right side and the front of the fishing reel frame according to the invention;

[51] **LOC (6) Cl.** ..... **22-05**

[52] **U.S. Cl.** ..... **D22/141**

FIG. 2 is a perspective view showing the underside, the left side and the rear side of the fishing reel frame;

[58] **Field of Search** ..... D22/141; 242/224,  
242/230–233, 245, 246

FIG. 3 shows the fishing reel frame from the right;

FIG. 4 shows the fishing reel frame from the left;

FIG. 5 shows the fishing reel frame from behind;

FIG. 6 shows the fishing reel frame from the front;

FIG. 7 shows the fishing reel frame from below; and,

FIG. 8 shows the fishing reel frame from above.

[56] **References Cited**

**U.S. PATENT DOCUMENTS**

- D. 309,340 7/1990 Kameda et al. .... D22/141
- D. 309,650 7/1990 Kameda et al. .... D22/141
- D. 321,741 11/1991 Kameda et al. .... D22/141

**1 Claim, 3 Drawing Sheets**

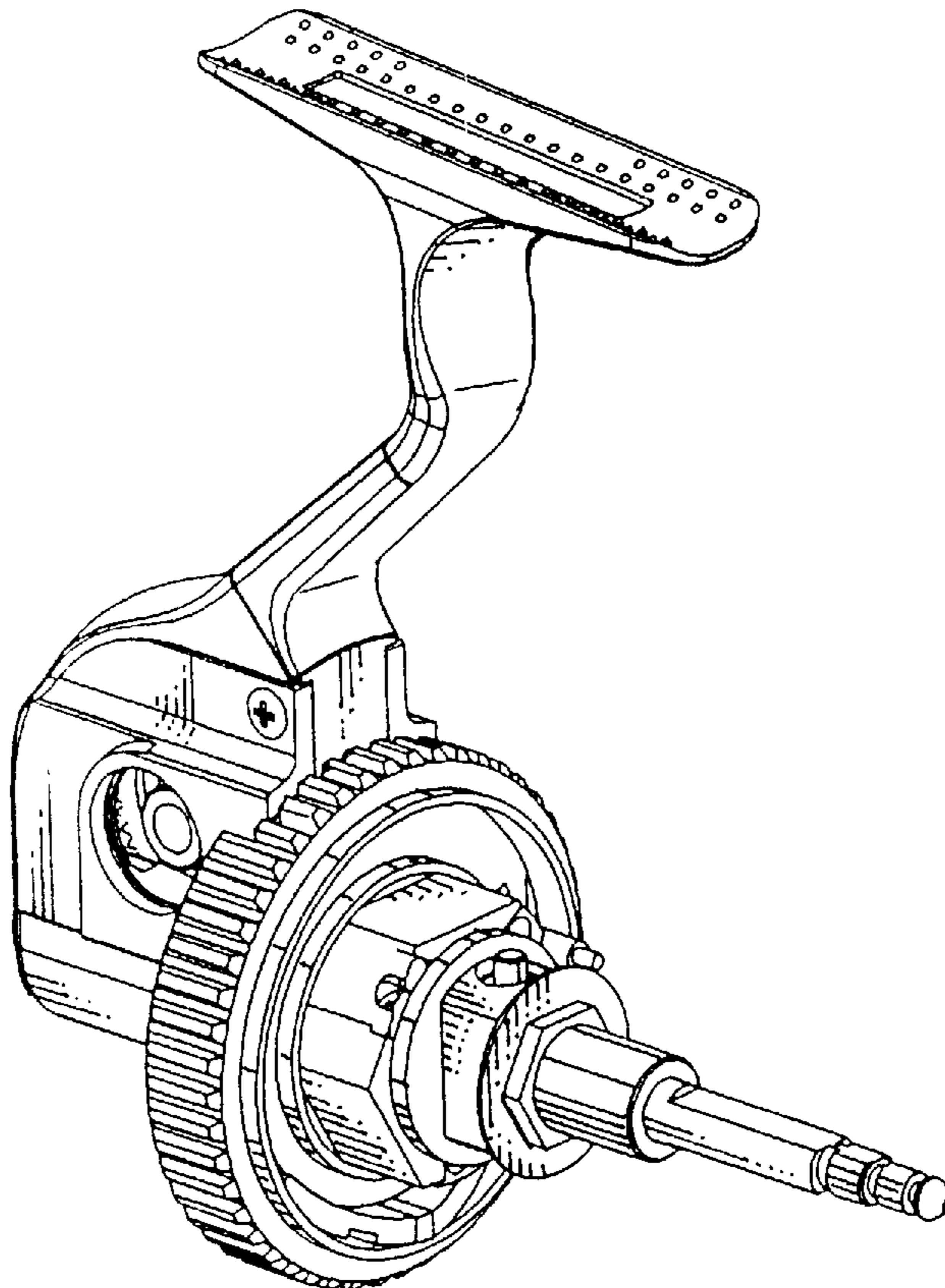


FIG.1

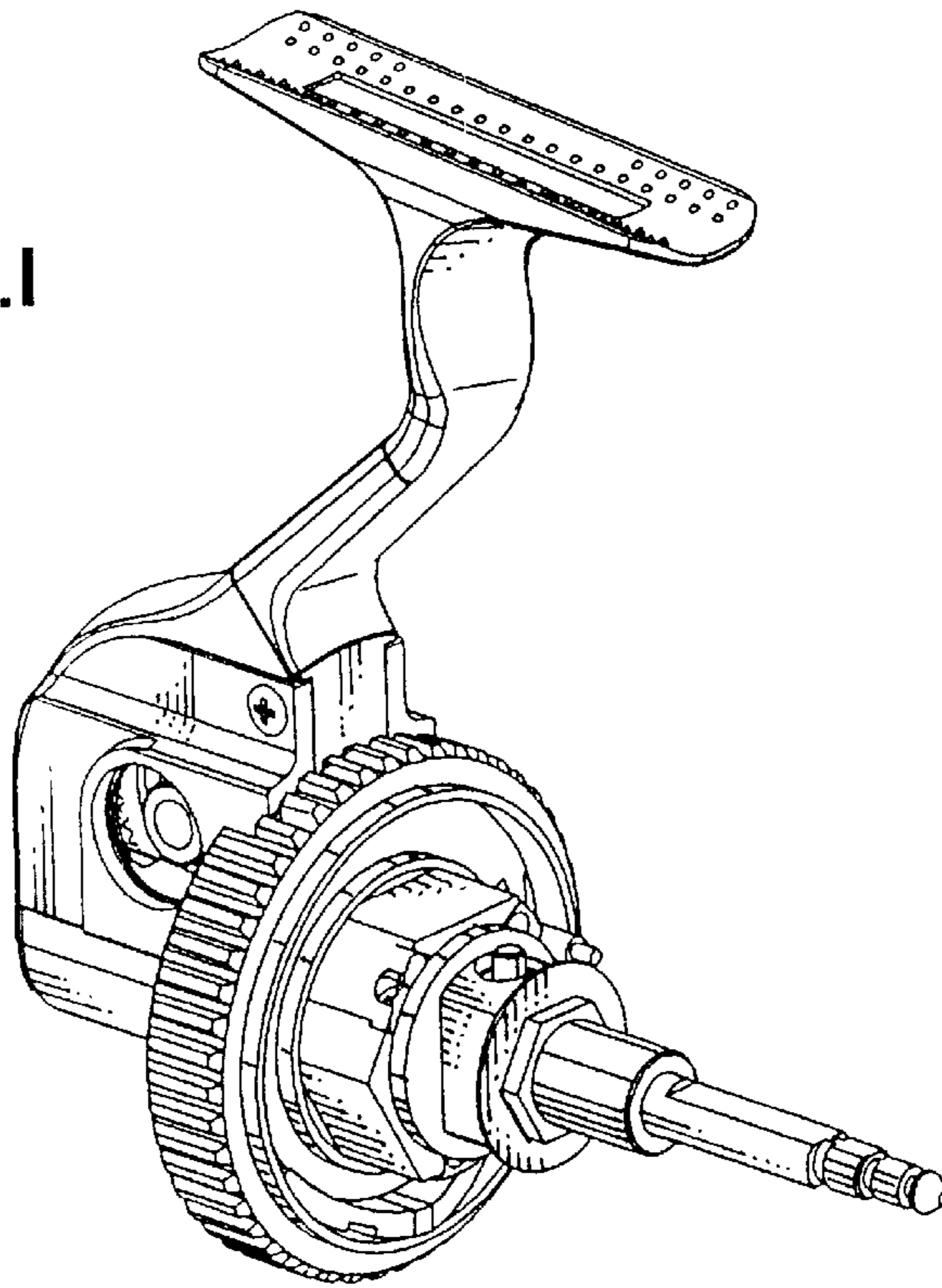


FIG.2

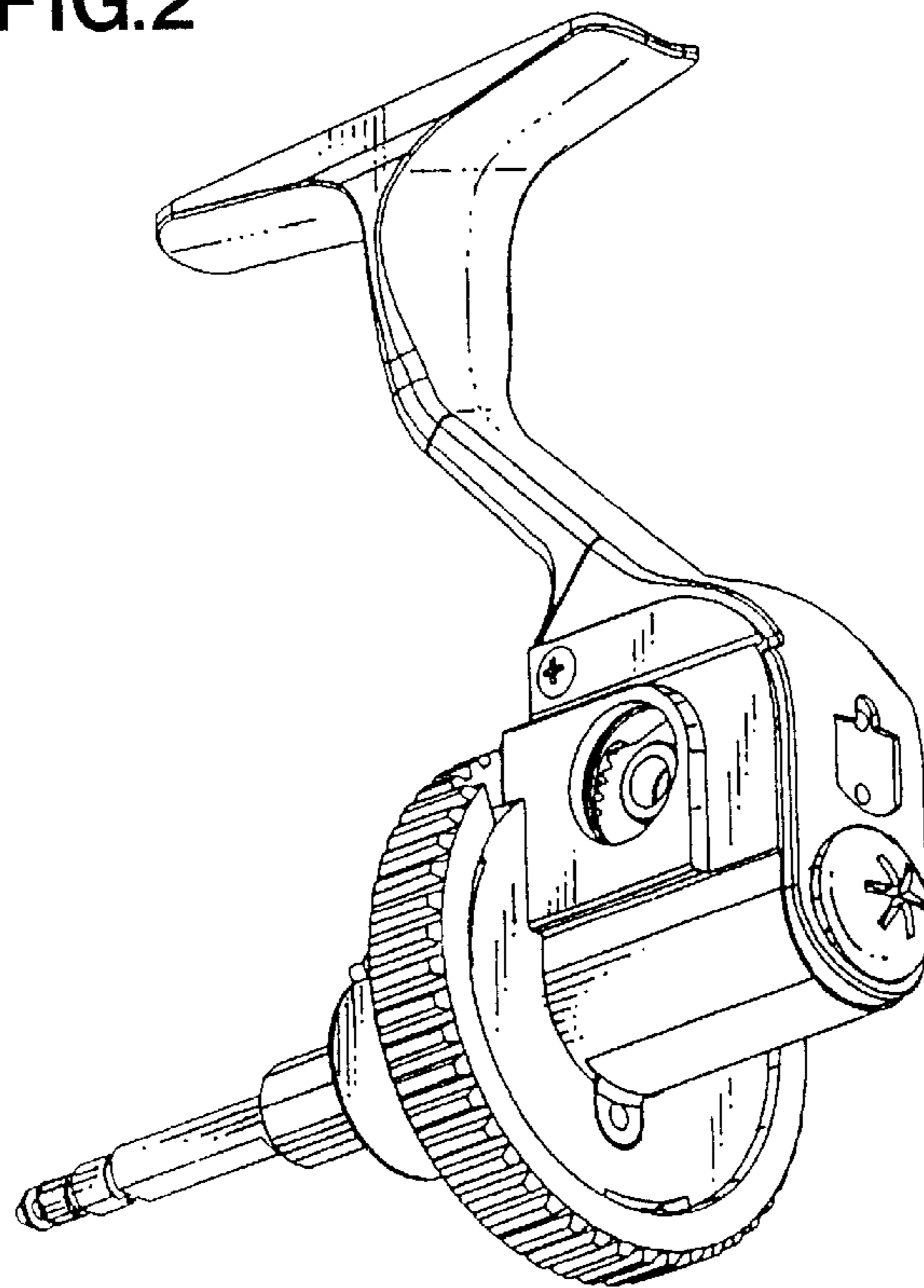


FIG.7

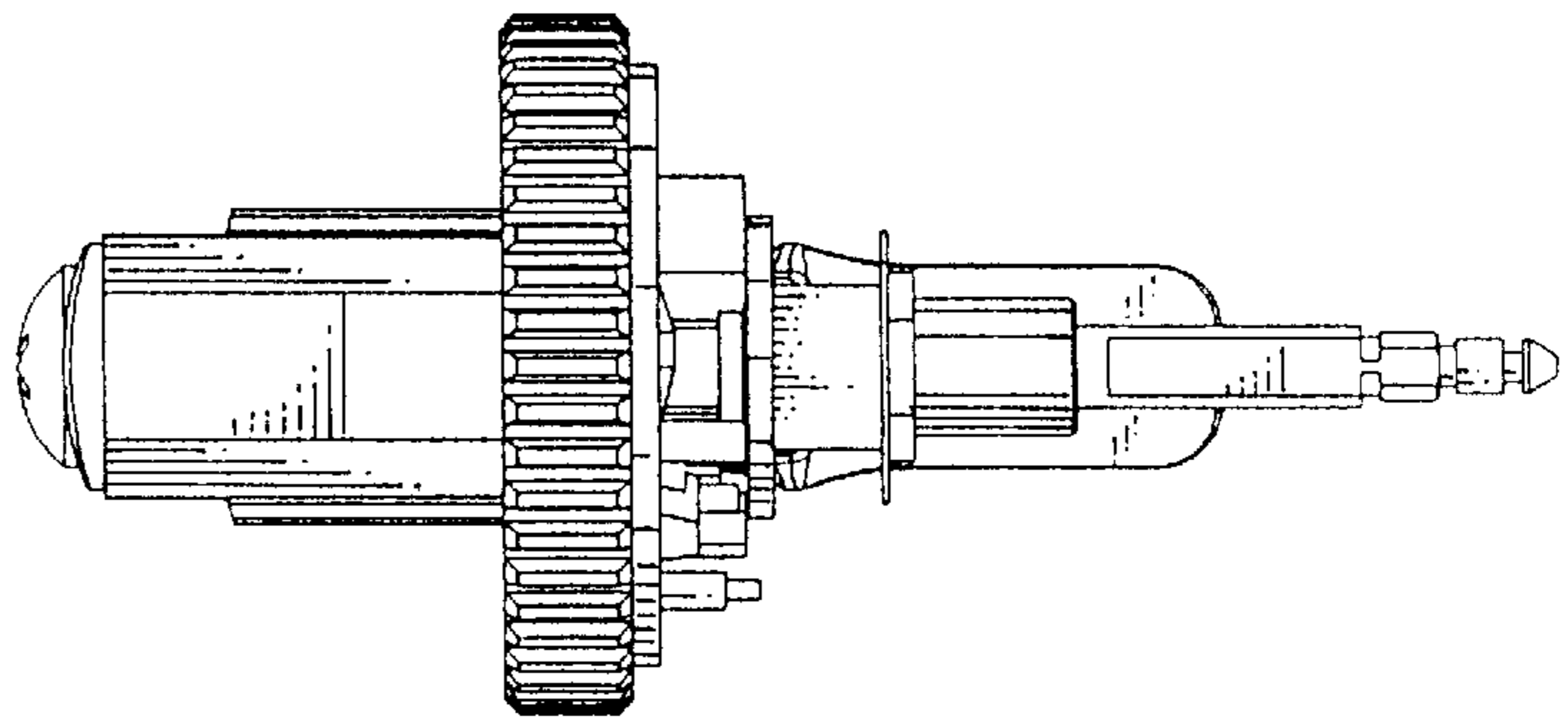


FIG.6

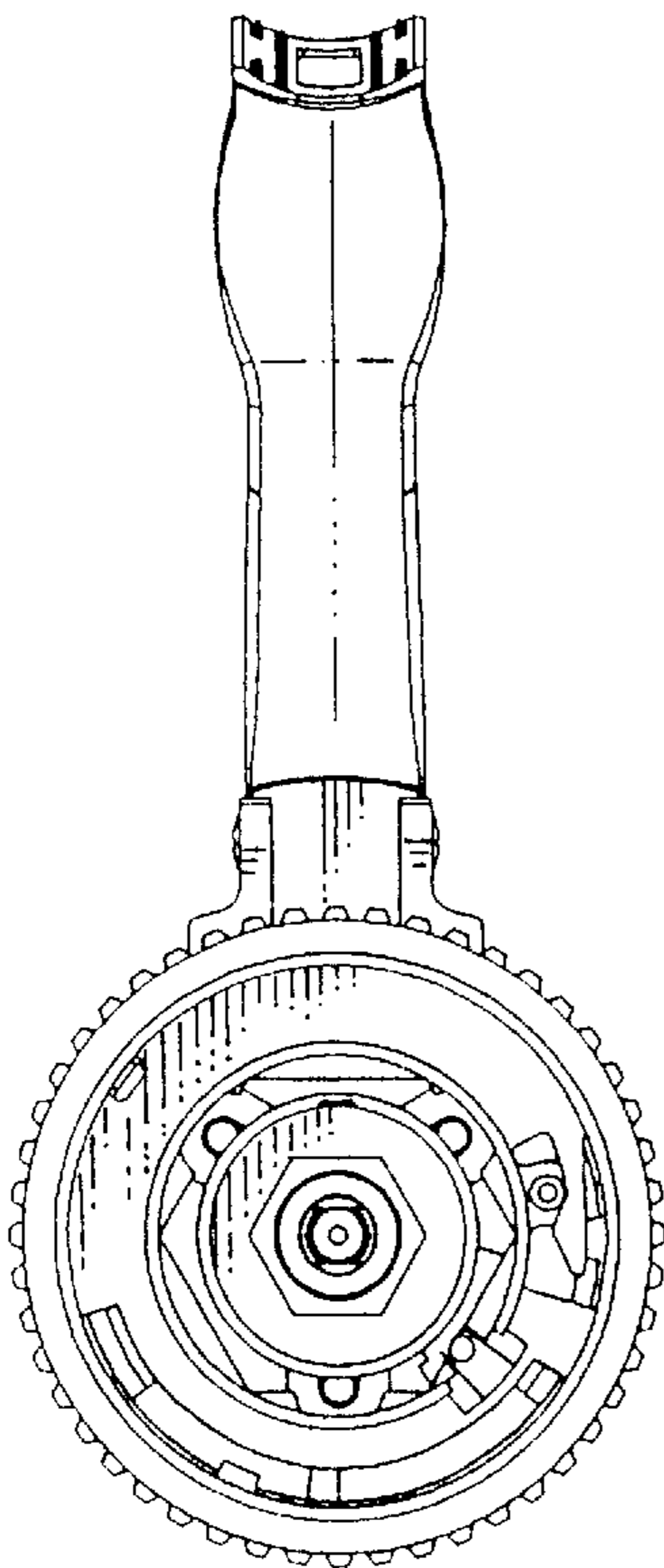


FIG.3

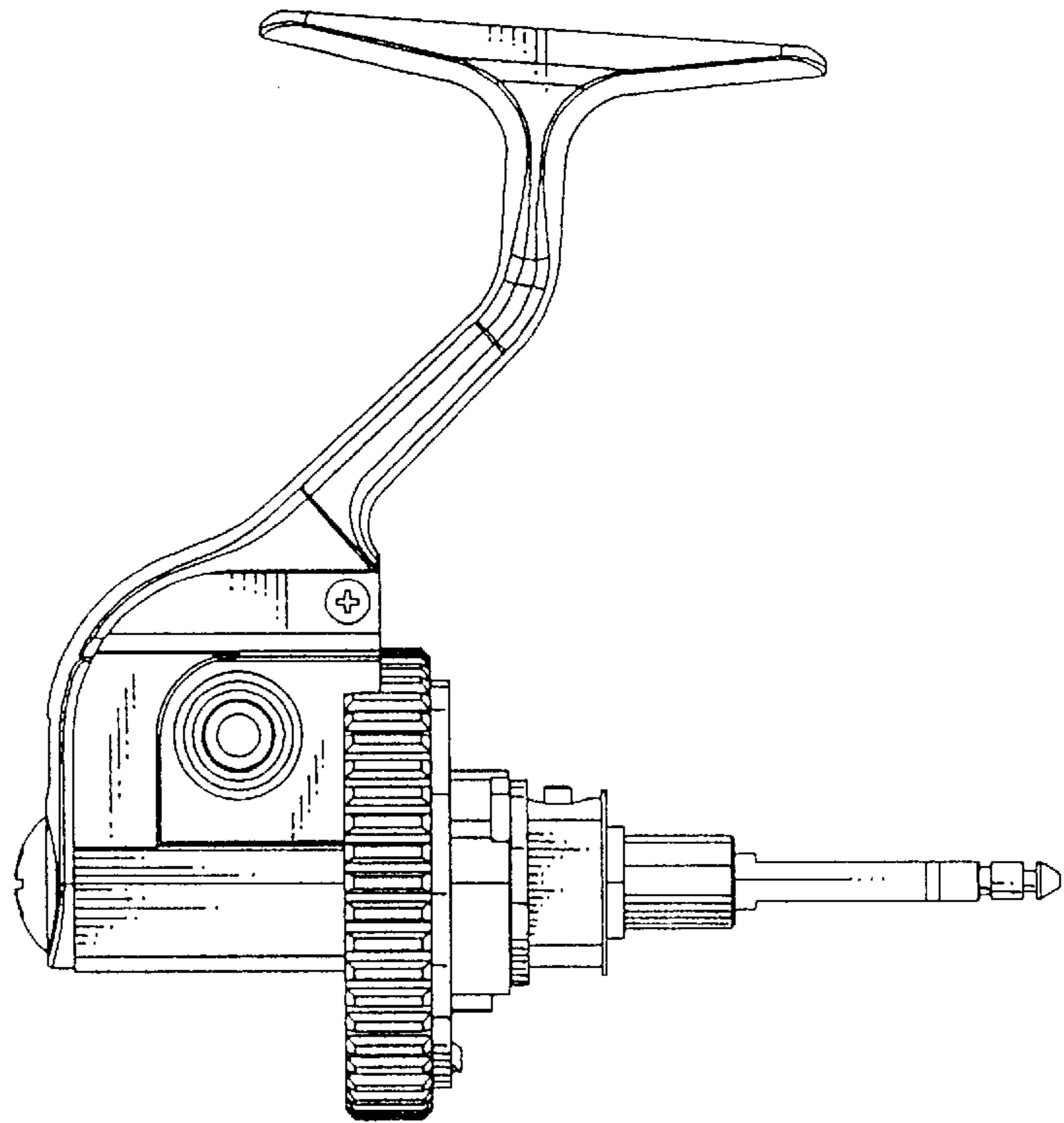


FIG.8

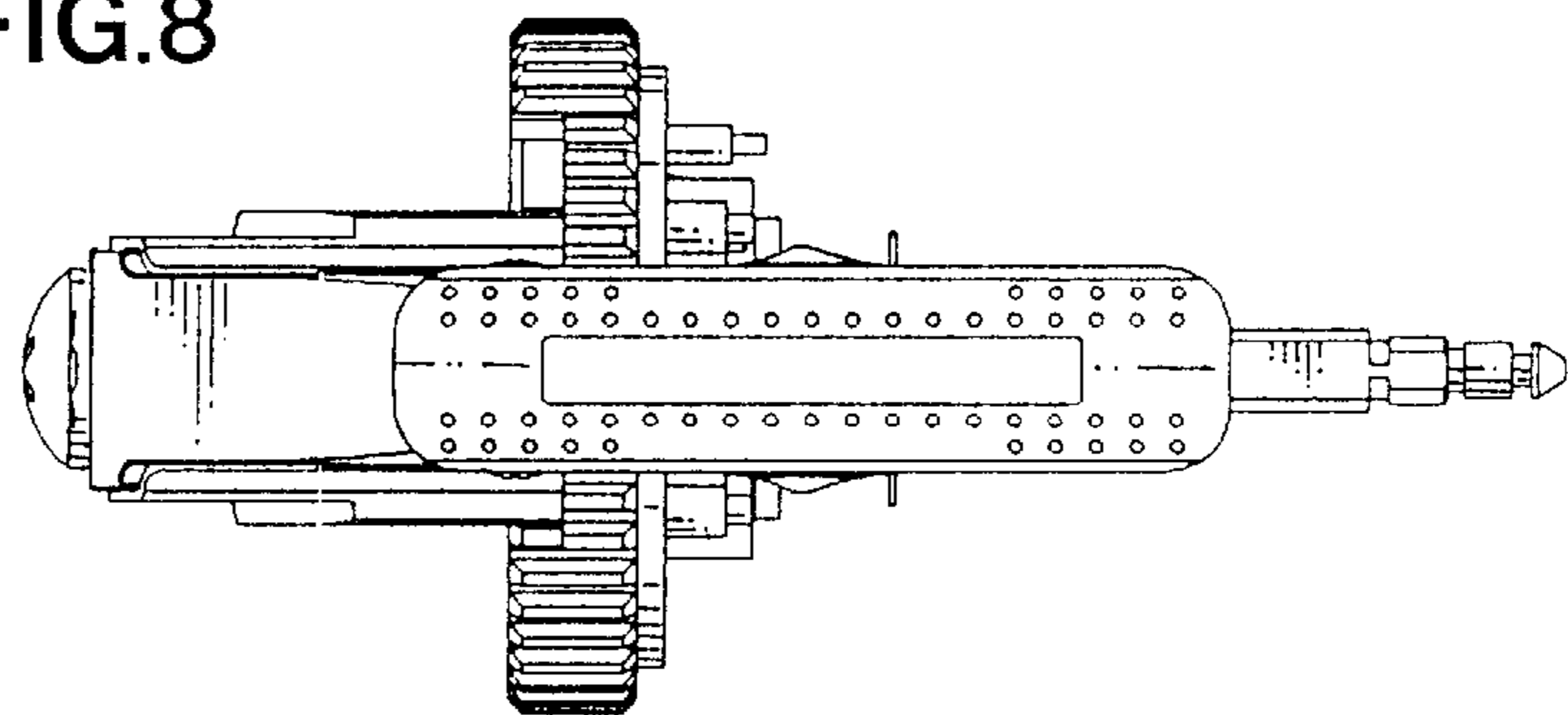


FIG.5

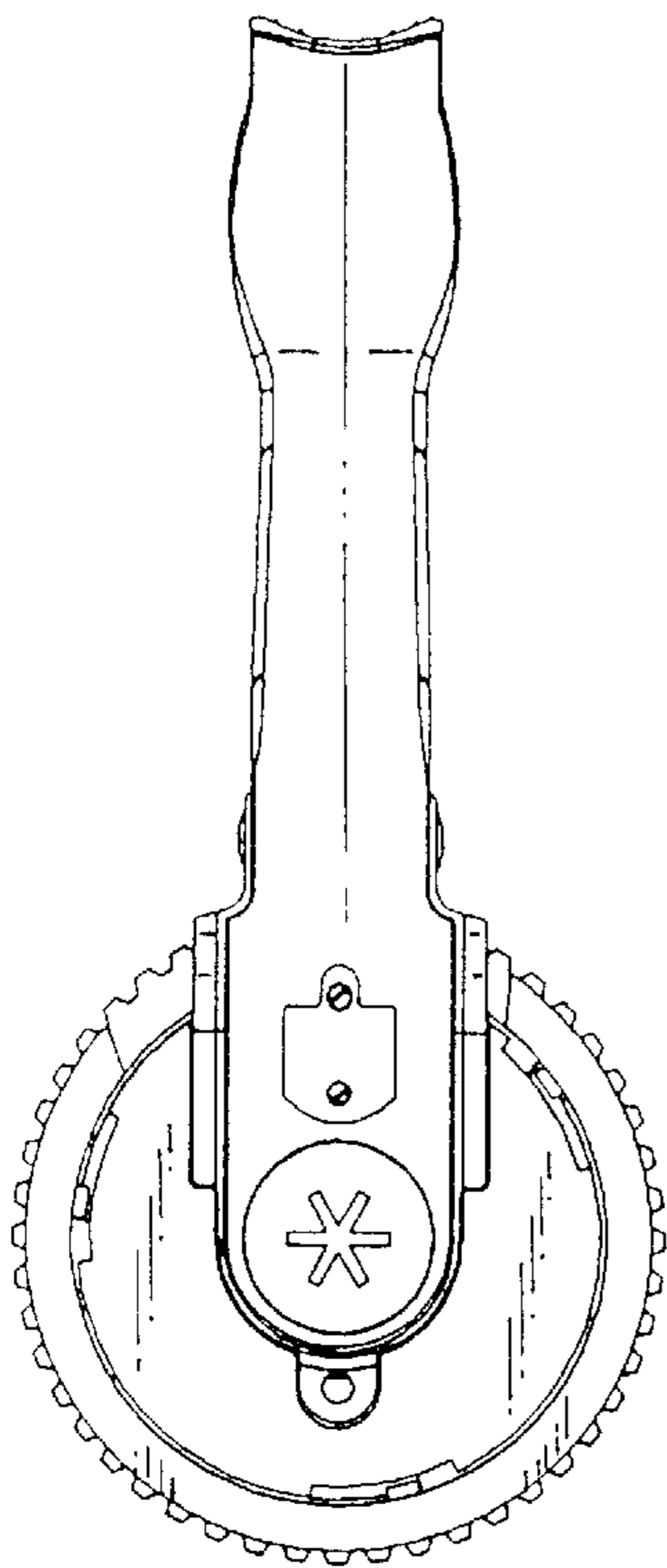


FIG.4

