

US00D401657S

# United States Patent [19]

Ou

[11] **Patent Number: Des. 401,657**

[45] **Date of Patent: \*\*Nov. 24, 1998**

[54] **SOLE PLATE FOR IN-LINE ROLLER SKATE**

D. 381,054 7/1997 Cheng ..... D21/226  
5,645,287 7/1997 Soo ..... 280/11.2

[76] Inventor: **Chen-Chun Ou**, 22F., No. 21, Section 1, Ming-Sheng Road, Pan-Chiao City, Taipei County, Taiwan

*Primary Examiner*—Sandra L. Morris  
*Attorney, Agent, or Firm*—Rosenberg, Klein & Bilker

[\*\*] Term: **14 Years**

### [57] CLAIM

[21] Appl. No.: **77,367**

The ornamental design for a sole plate for in-line roller skate, as shown and described.

[22] Filed: **Sep. 22, 1997**

### DESCRIPTION

[51] **LOC (6) Cl.** ..... **21-02**

FIG. 1 is a perspective view of a sole plate for in-line roller skate showing my new design;  
FIG. 2 is a top plain view thereof;  
FIG. 3 is a bottom plain view thereof;  
FIG. 4 is a front elevational view thereof;  
FIG. 5 is a rear elevational view thereof;  
FIG. 6 is a left side elevational view thereof;  
FIG. 7 is a right side elevational view thereof; and,  
FIG. 8 is a reduced perspective view showing a boot and wheels installed in the sole plate; the broken line rendering of the boot and wheels are for illustrative purposes only, and forms no part of the claimed design.

[52] **U.S. Cl.** ..... **D21/771**

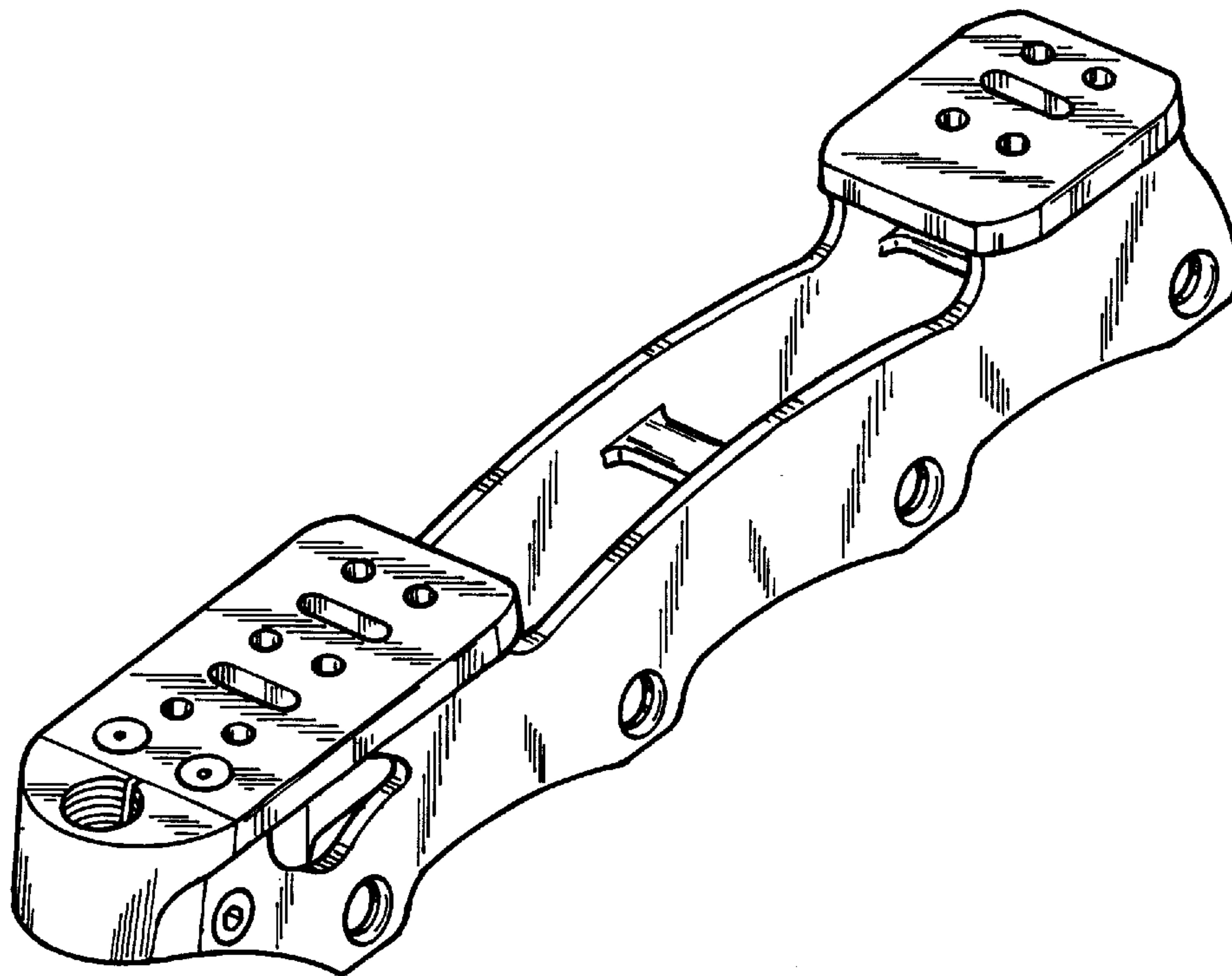
[58] **Field of Search** ..... D21/225–226;  
280/11.19, 11.2, 11.22, 11.26–11.28, 809,  
843

### [56] References Cited

#### U.S. PATENT DOCUMENTS

- D. 353,863 12/1994 Chen ..... D21/226
- D. 357,047 4/1995 Gay ..... D21/226
- D. 359,332 6/1995 Chang ..... D21/226
- D. 363,964 11/1995 Chen ..... D21/226
- D. 376,633 12/1996 Chiang ..... D21/226

**1 Claim, 5 Drawing Sheets**



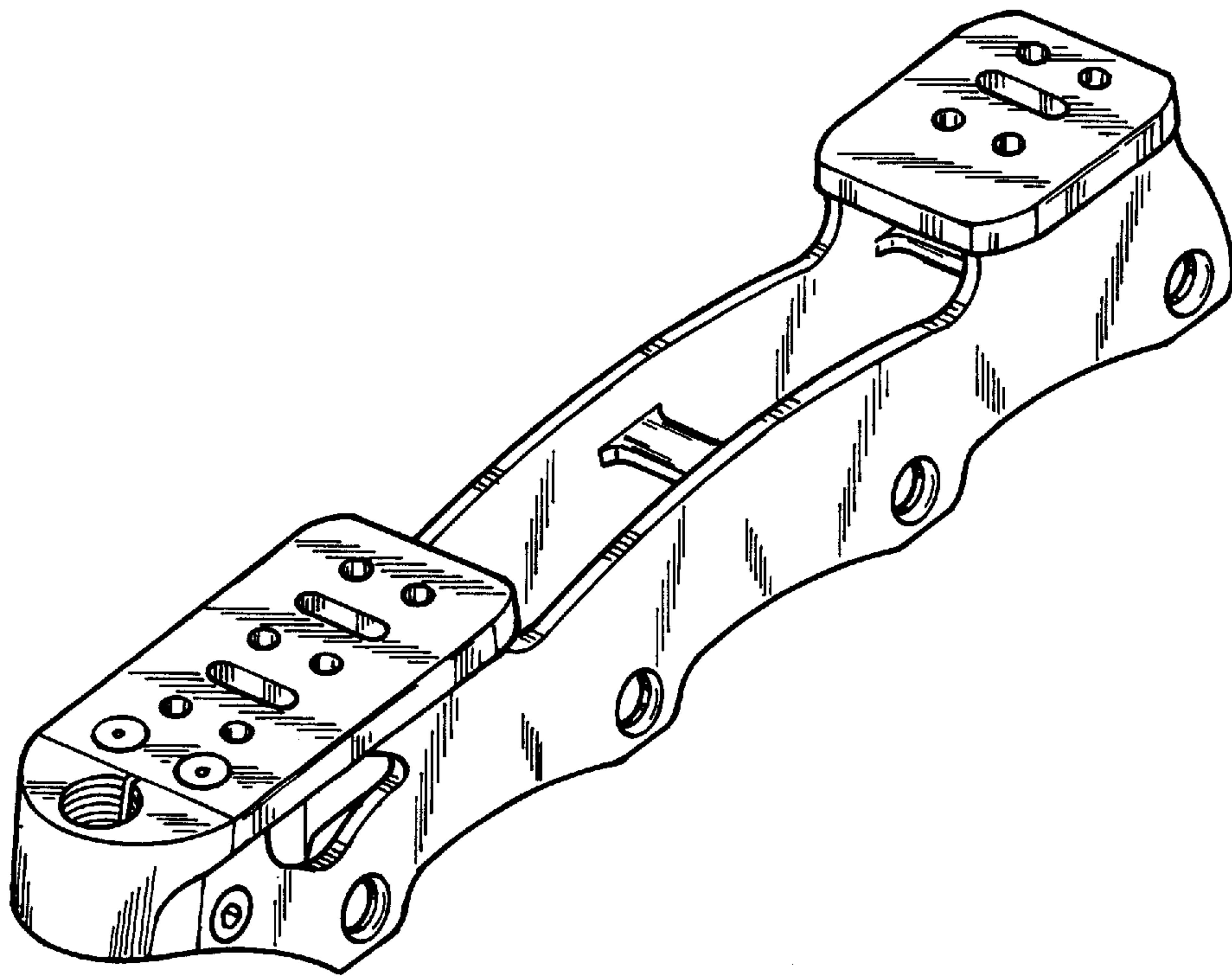


FIG. 1

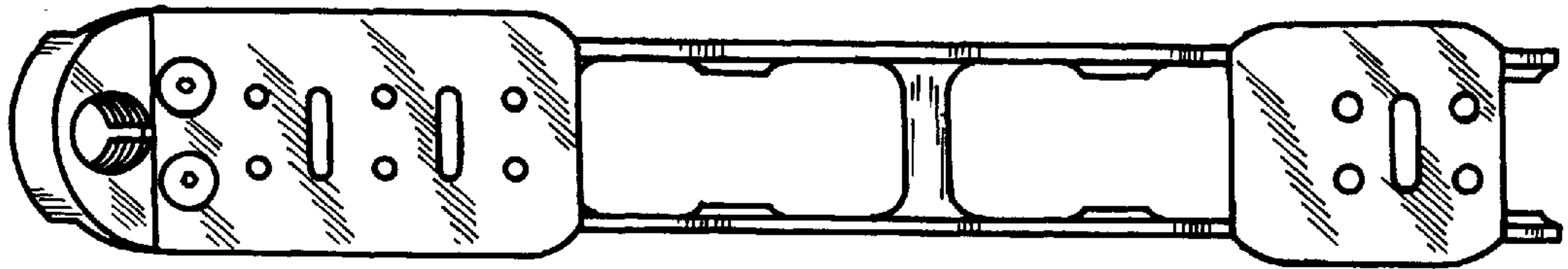


FIG. 2

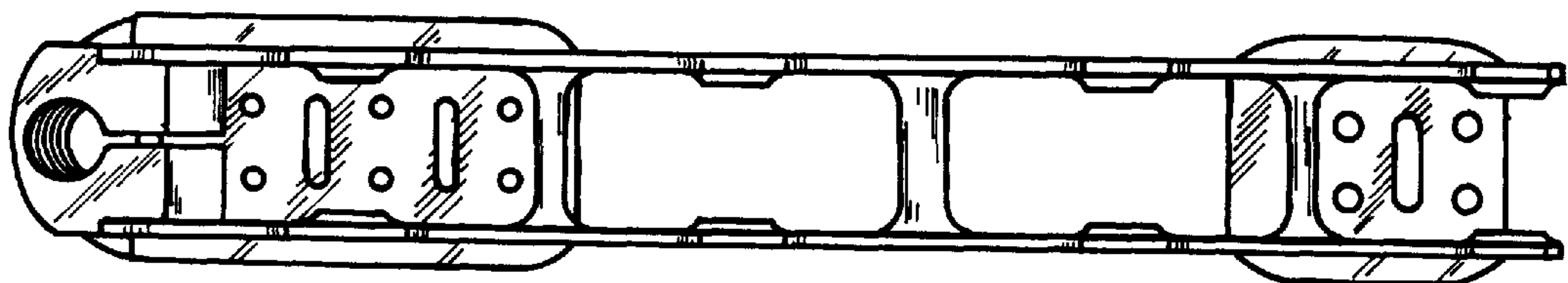


FIG. 3

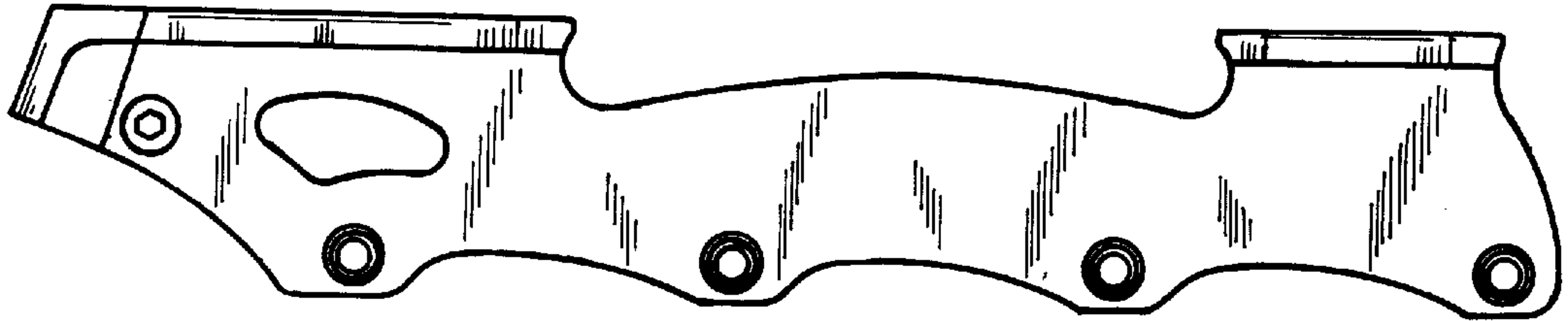


FIG.4

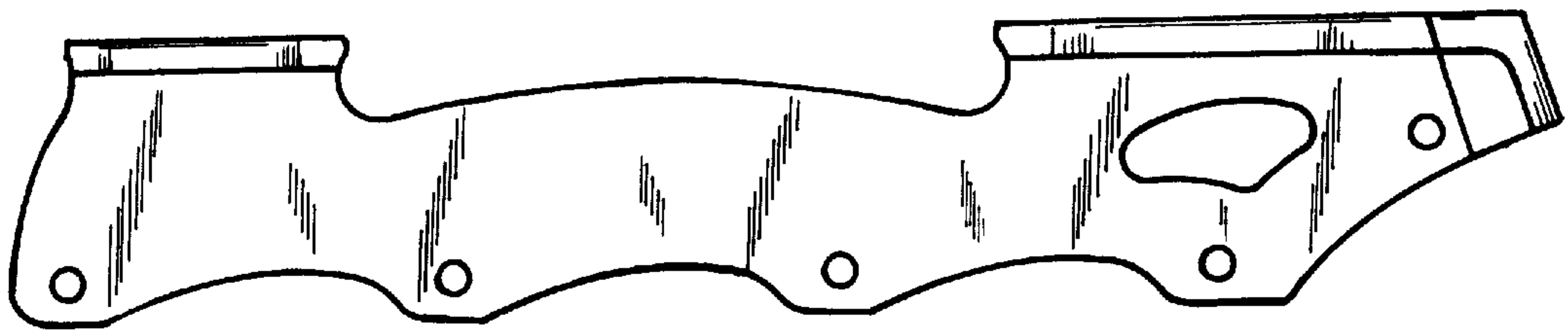


FIG.5

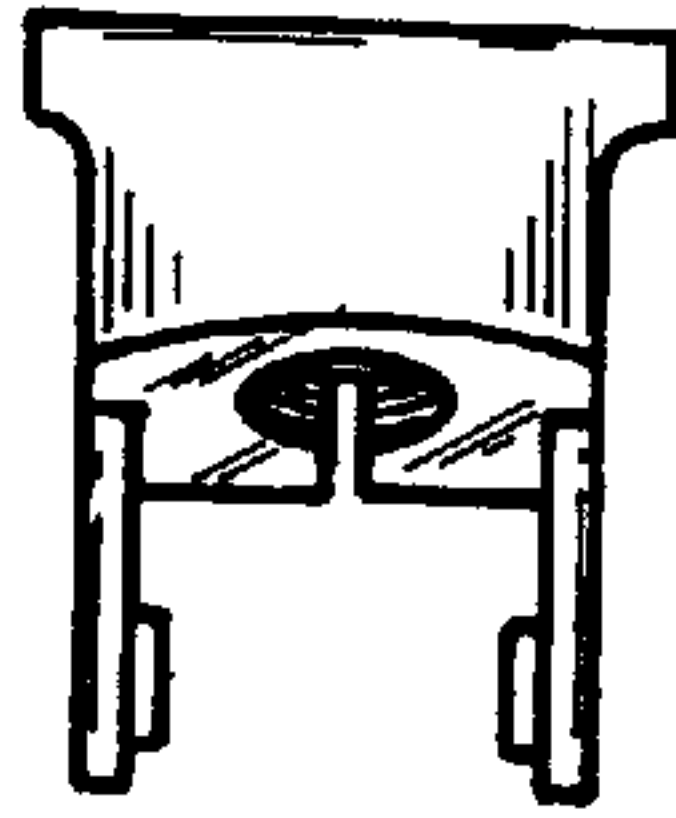


FIG. 6

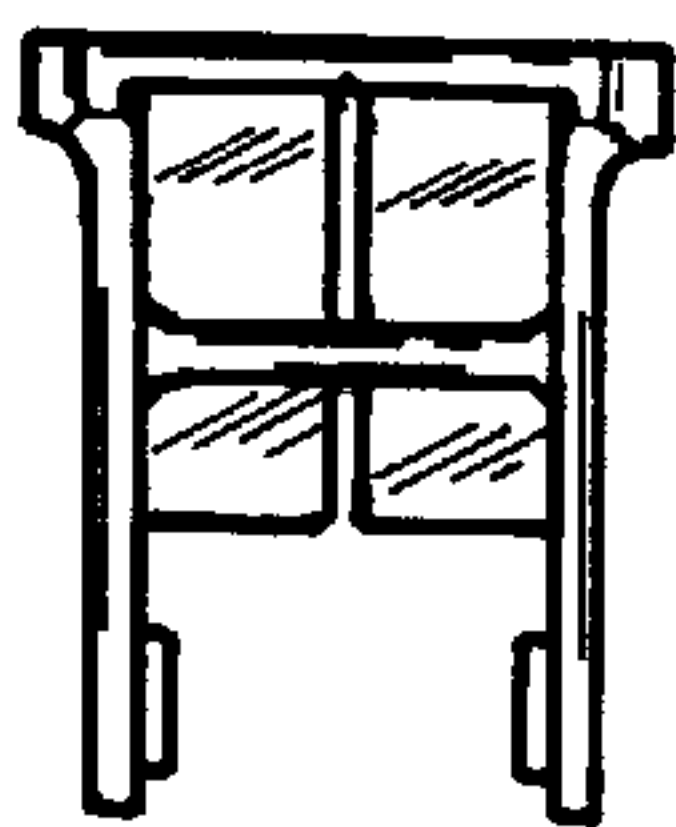


FIG. 7

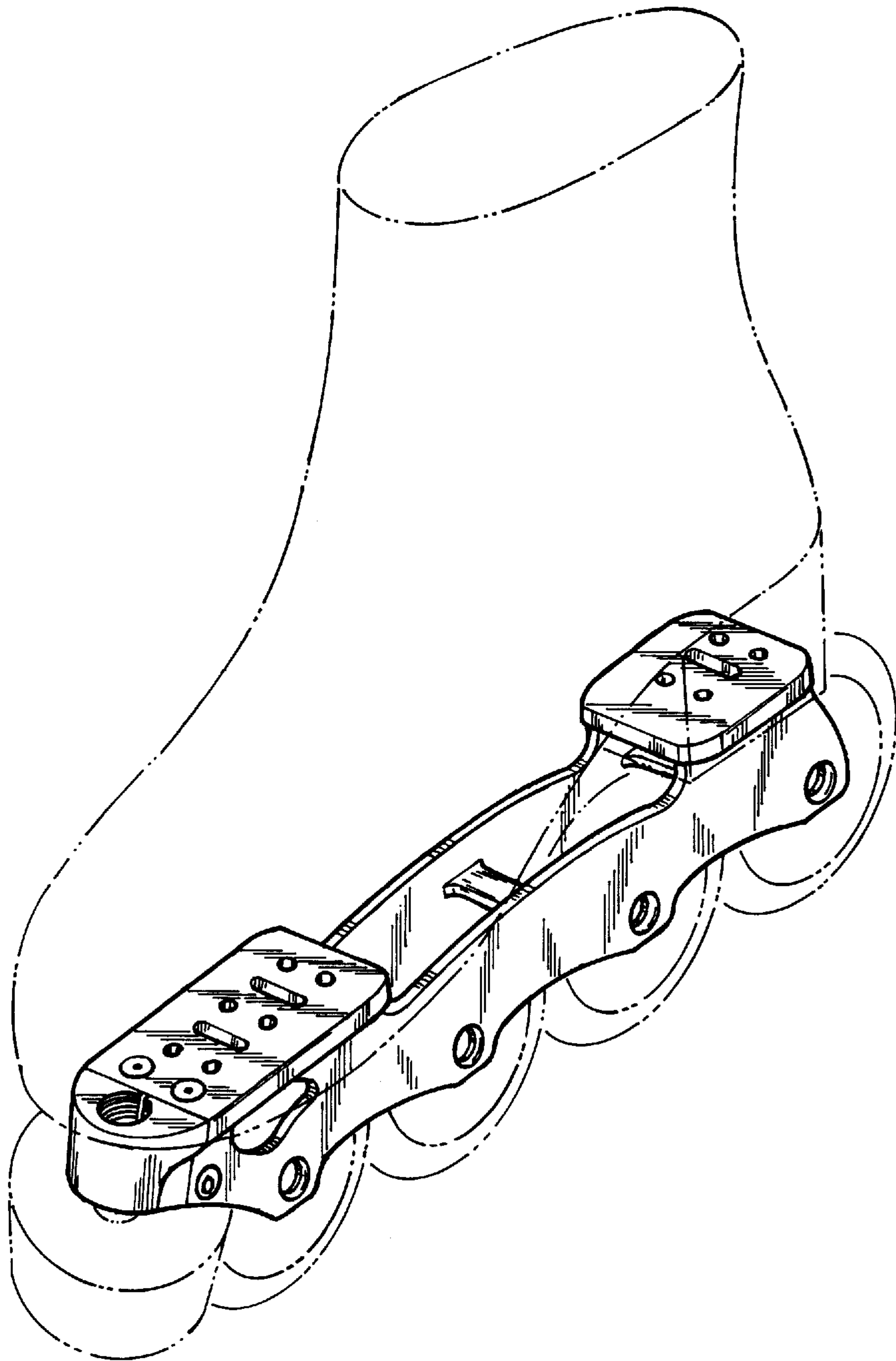


FIG.8