



US00D401656S

United States Patent [19]

[11] **Patent Number: Des. 401,656**

Burrows

[45] **Date of Patent: **Nov. 24, 1998**

[54] **FLUTED HOSEL FOR A GOLF CLUB**

[57] **CLAIM**

[76] Inventor: **Bruce D. Burrows**, 25555 W. Avenue
Stanford, Valencia, Calif. 91353-1101

The ornamental design for a fluted hosel for a golf club, as shown and described.

[**] Term: **14 Years**

DESCRIPTION

[21] Appl. No.: **77,880**

FIG. 1 is a perspective view showing the top, front and left sides of a fluted hosel embodying the new design, the dotted line depiction of a wood-type golf club head being for illustrative purposes only and forms no part of the claimed design;

[22] Filed: **Oct. 10, 1997**

[51] **LOC (6) Cl. 21-02**

[52] **U.S. Cl. D21/753**

[58] **Field of Search** D21/214, 217-219,
D21/220, 221; 473/324, 340, 343-345,
350

FIG. 2 is a front elevational view thereof;

FIG. 3 is a rear elevational view thereof;

FIG. 4 is a top plan view thereof;

FIG. 5 is a bottom plan view thereof;

FIG. 6 is a left side elevational view thereof;

FIG. 7 is a right side elevational view thereof;

FIG. 8 is a sectional view taken on the line 8-8 of FIG. 2; and,

FIG. 9 is a perspective view showing the top, front and left sides of the fluted hosel of FIGS. 1-8 for use with an iron-type golf club head shown in the dotted lines for illustrative purposes only and forms no part of the claimed design.

[56] **References Cited**

U.S. PATENT DOCUMENTS

D. 267,965	2/1983	Kobayashi	D21/220
D. 370,953	6/1996	Visalli	D21/221
D. 371,408	7/1996	Ashcraft et al.	D21/221
5,324,033	6/1994	Fenton, Jr.	D21/221

Primary Examiner—Ted Shooman
Assistant Examiner—Mitchell I. Siegel
Attorney, Agent, or Firm—Kelly Bauersfeld Lowry & Kelley, LLP

1 Claim, 4 Drawing Sheets

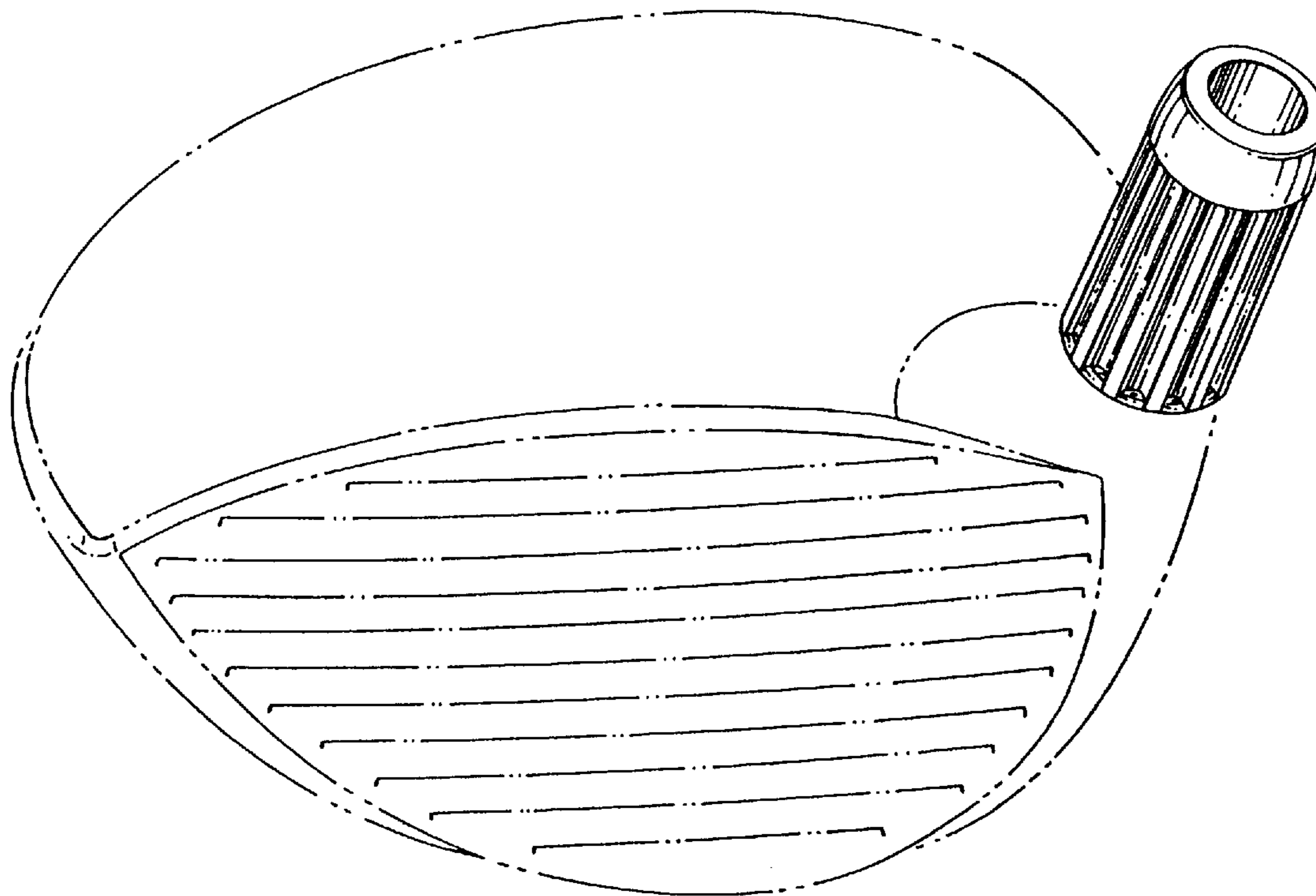


FIG. 1

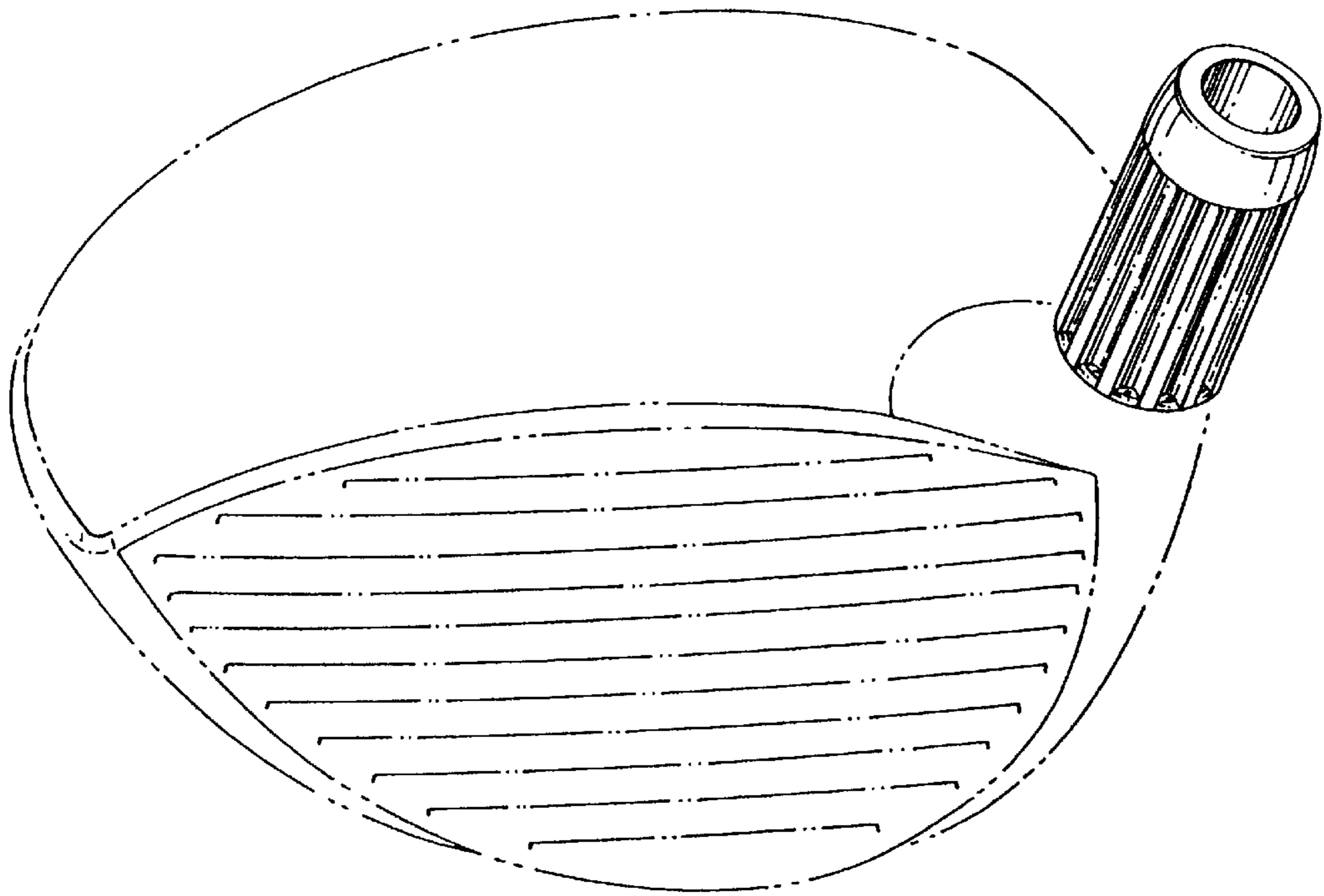


FIG. 8

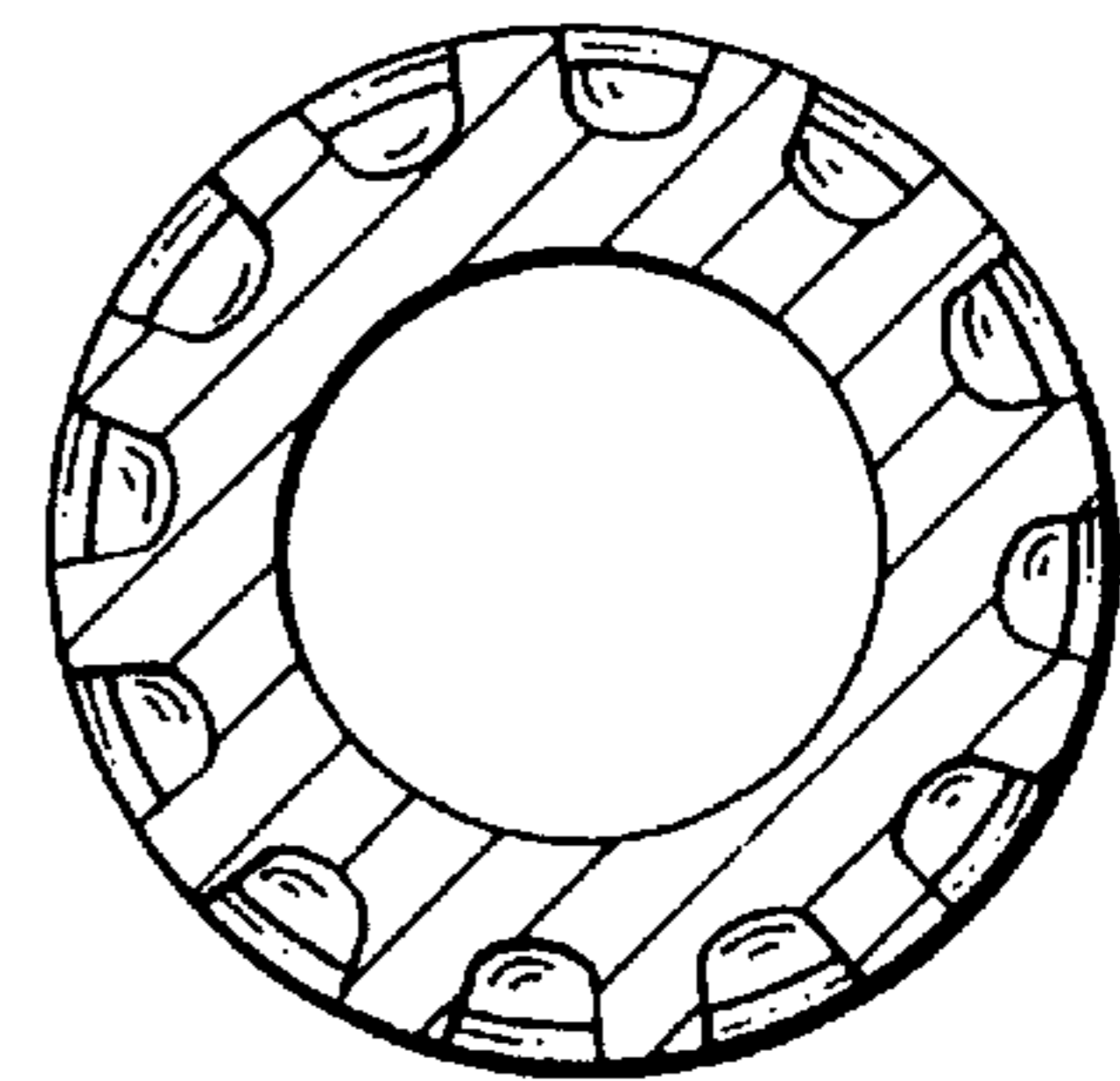


FIG. 9

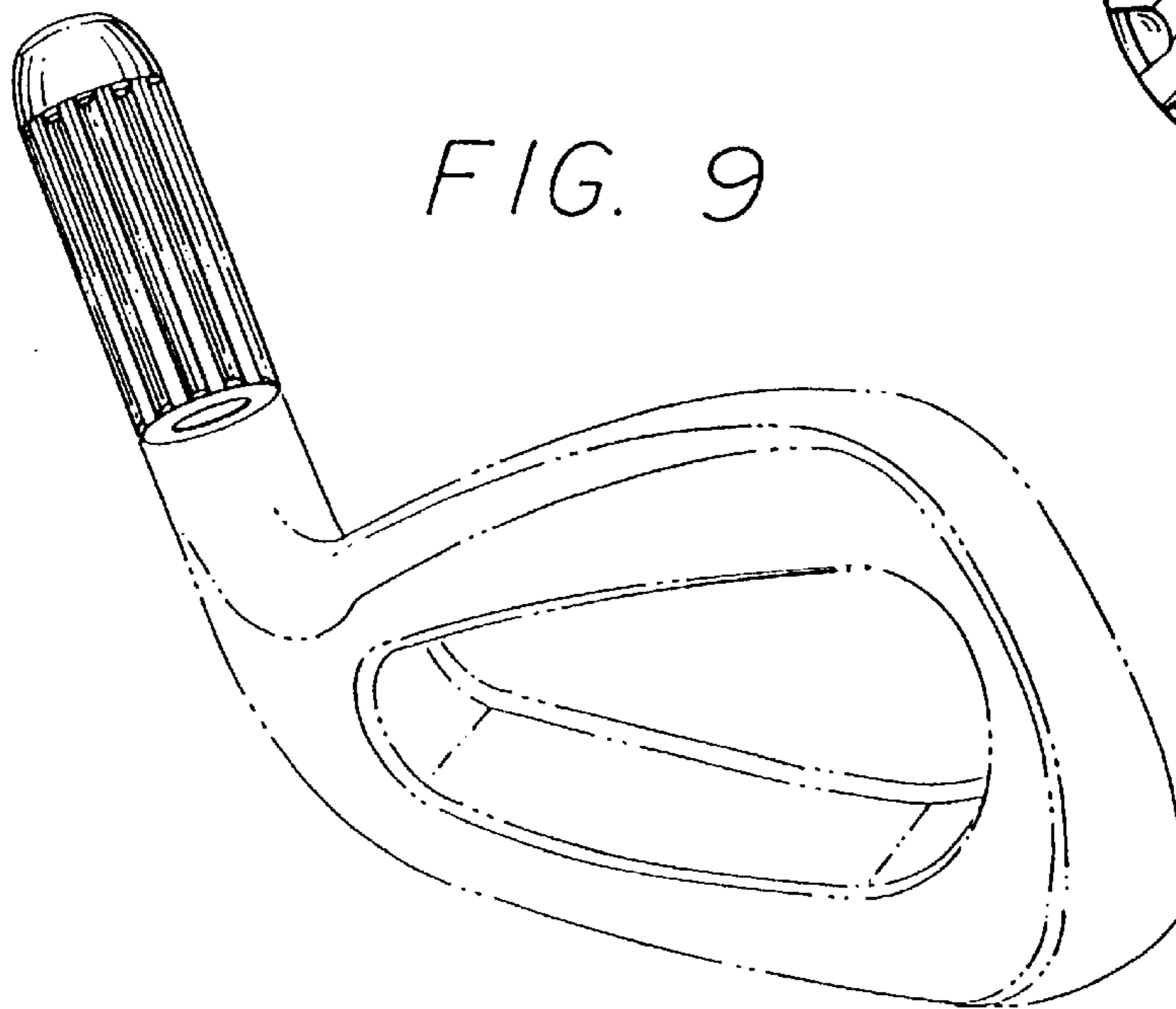


FIG. 2

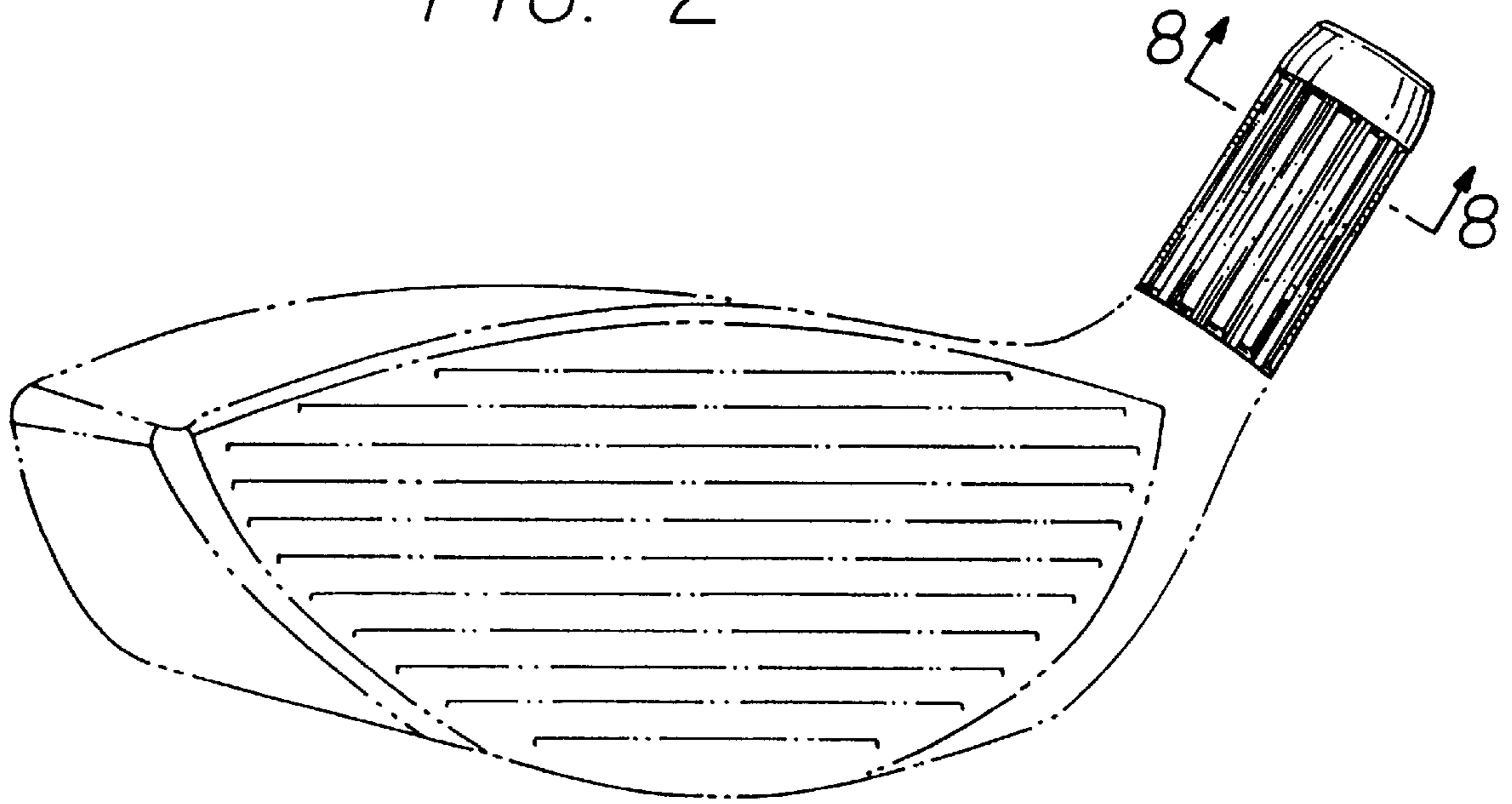


FIG. 3

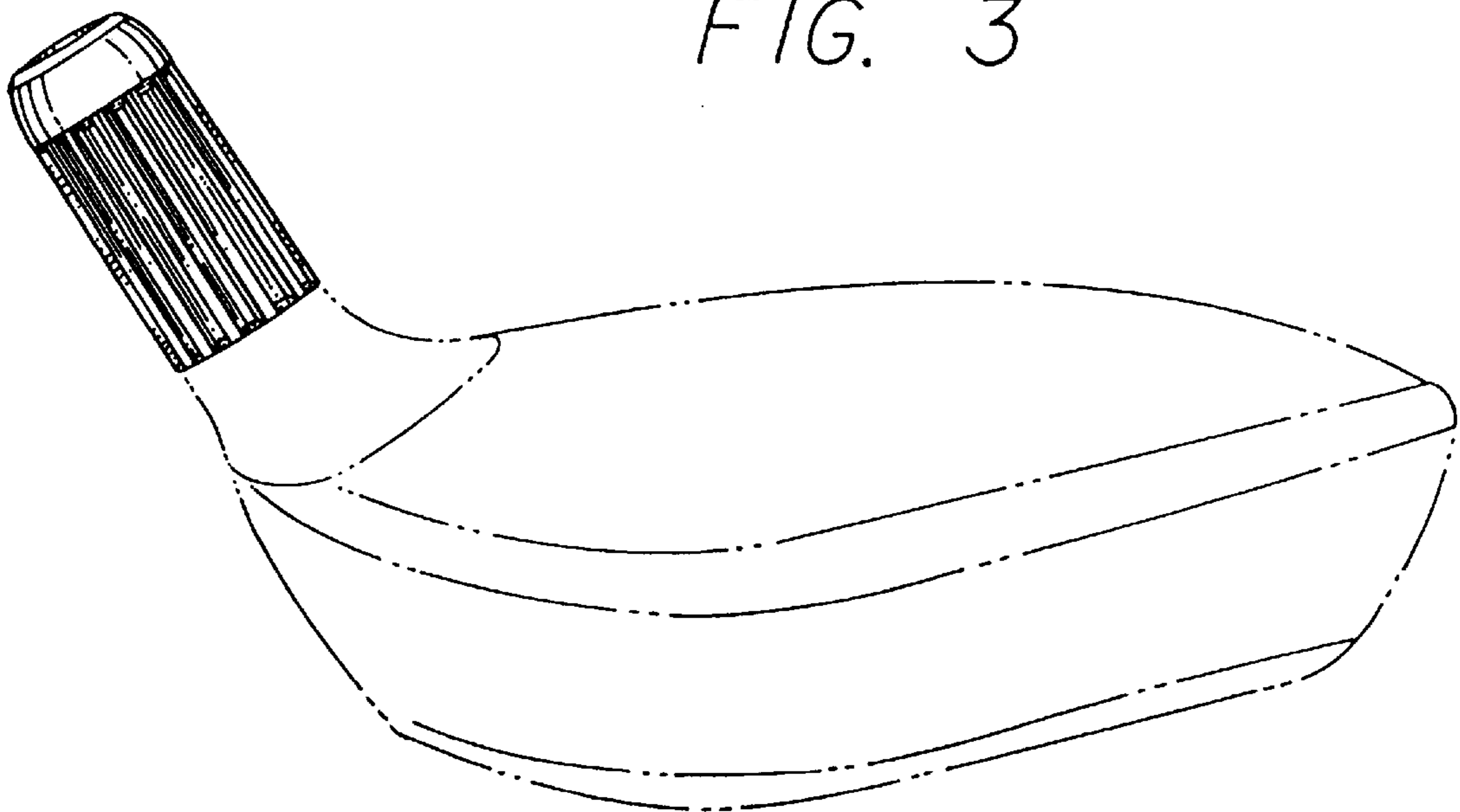


FIG. 4

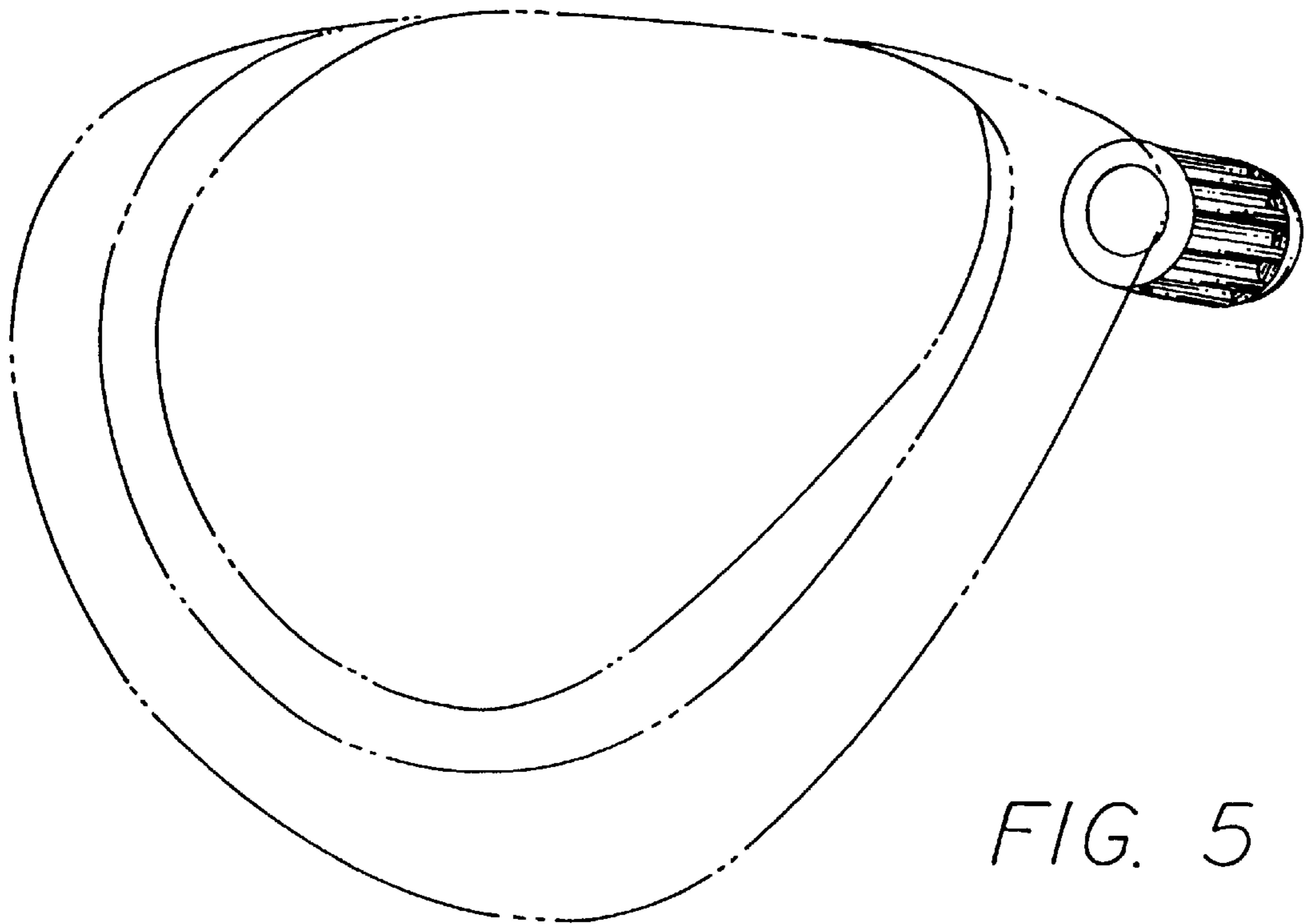
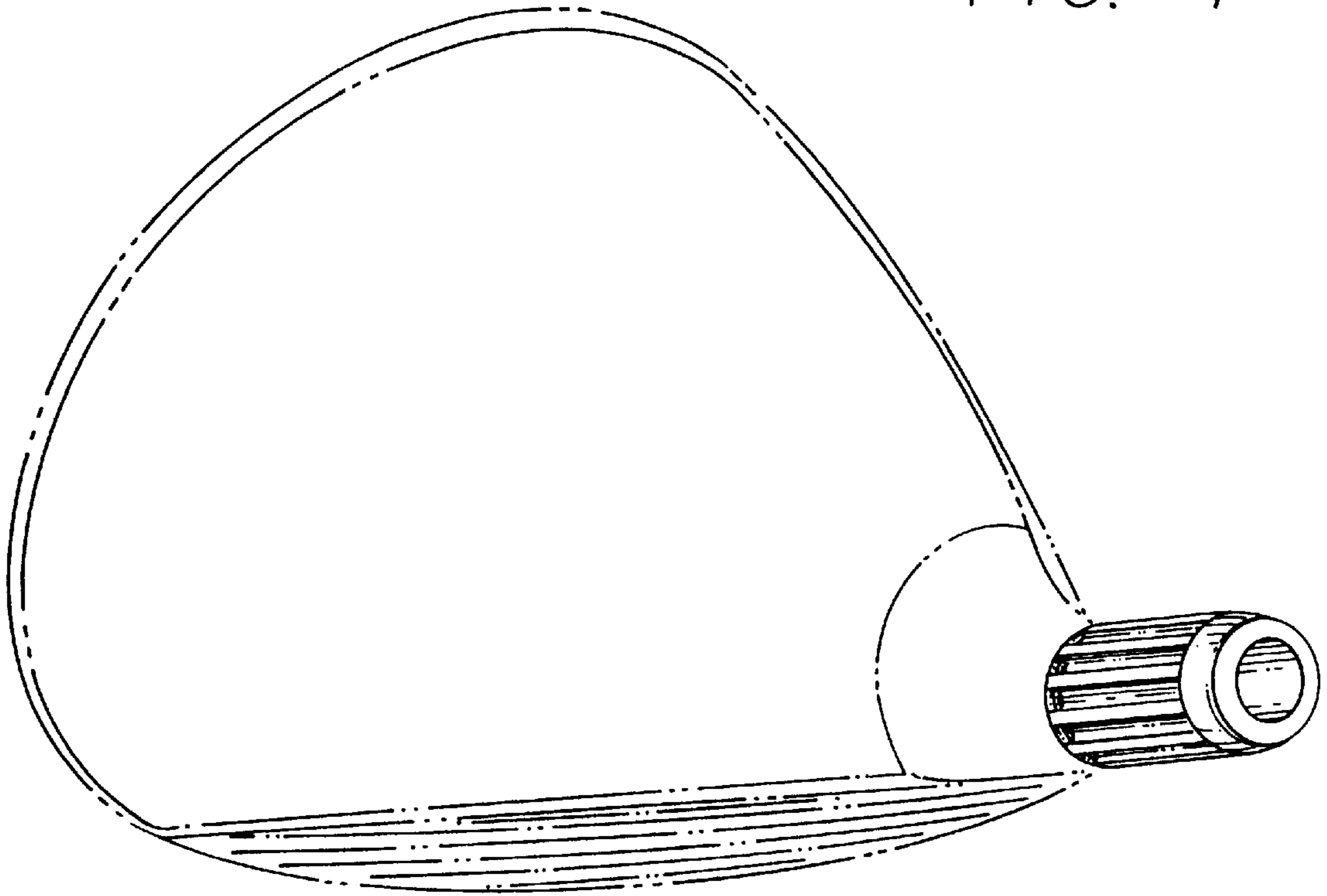


FIG. 5

FIG. 6

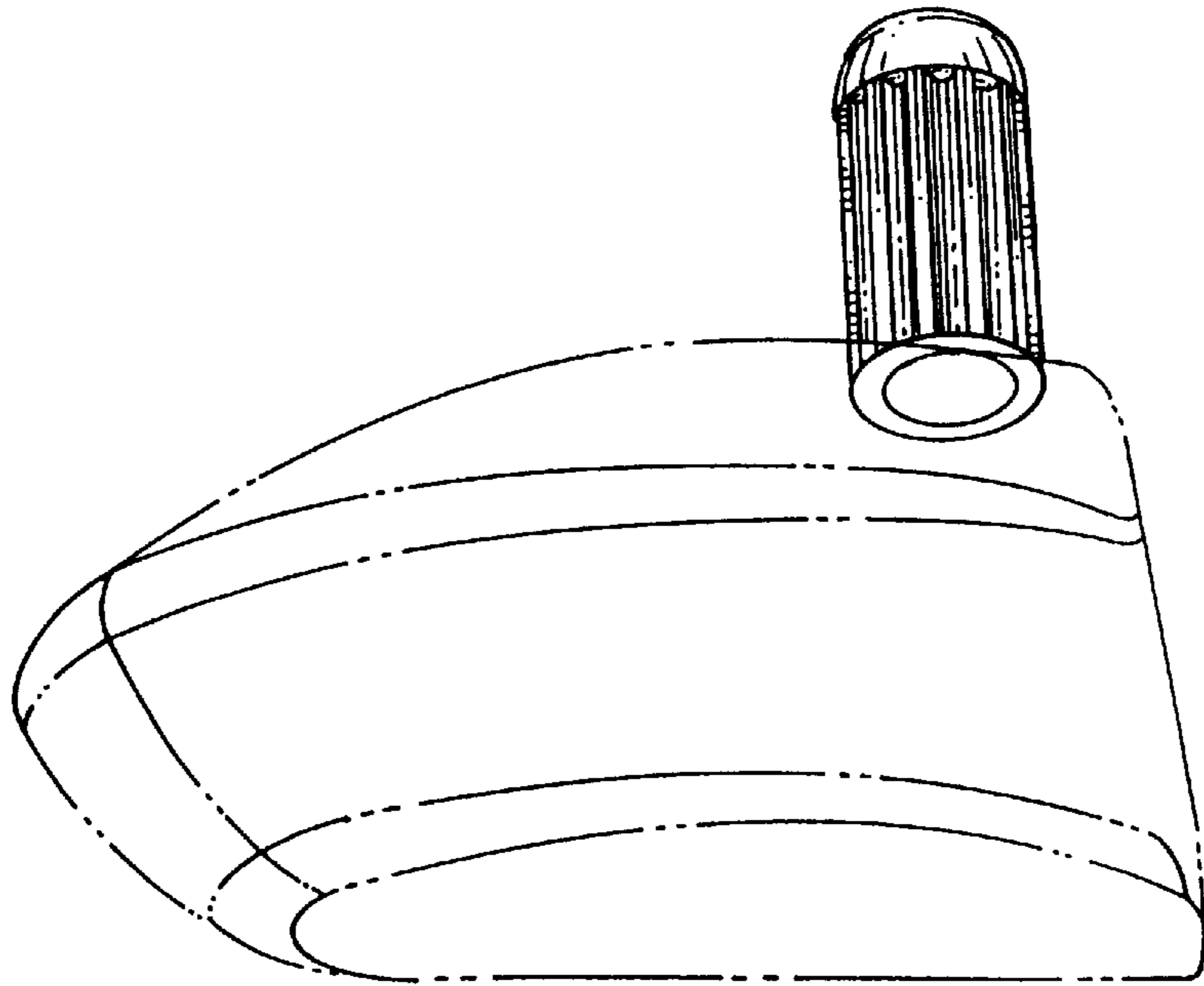


FIG. 7

