



US00D401654S

United States Patent [19]

[11] **Patent Number: Des. 401,654**

Burrows

[45] **Date of Patent: **Nov. 24, 1998**

[54] **SPRING HOSEL FOR A GOLF CLUB**

*Attorney, Agent, or Firm—*Kelly Bauersfeld Lowry & Kelley, LLP

[76] Inventor: **Bruce D. Burrows**, 25555 W. Avenue Stanford, Valencia, Calif. 91353-1101

[57] **CLAIM**

[**] Term: **14 Years**

The ornamental design for a spring hosel for a golf club, as shown and described.

[21] Appl. No.: **77,697**

DESCRIPTION

[22] Filed: **Oct. 9, 1997**

FIG. 1 is a perspective view showing the top, front and left sides of a spring hosel embodying the new design, the dotted line depiction of a wood-type golf club head being for illustrative purposes only and forms no part of the claimed design;

[51] **LOC (6) Cl. 21-02**

[52] **U.S. Cl. D21/753**

[58] **Field of Search D21/733, 747-752, D21/753, 756, 757; 473/305, 316-323, 324, 350**

FIG. 2 is a front elevational view thereof;

FIG. 3 is a rear elevational view thereof;

FIG. 4 is a top plan view thereof;

FIG. 5 is a bottom plan view thereof;

FIG. 6 is a left side elevational view thereof;

FIG. 7 is a right side elevational view thereof; and,

FIG. 8 is a perspective view showing the top, front and left sides of the spring hosel of FIGS. 1-7 for use with an iron-type golf club head shown in the dotted lines for illustrative purposes only and forms no part of the claimed design.

[56] **References Cited**

U.S. PATENT DOCUMENTS

D. 359,541	6/1995	Lamanna	D21/753
D. 378,771	4/1997	Antonious	D21/757
D. 385,934	11/1997	You	D21/757
5,054,784	10/1991	Collins	.	
5,647,807	7/1997	Nagamoto	473/318

*Primary Examiner—*Ted Shooman
*Assistant Examiner—*Mitchell I. Siegel

1 Claim, 4 Drawing Sheets

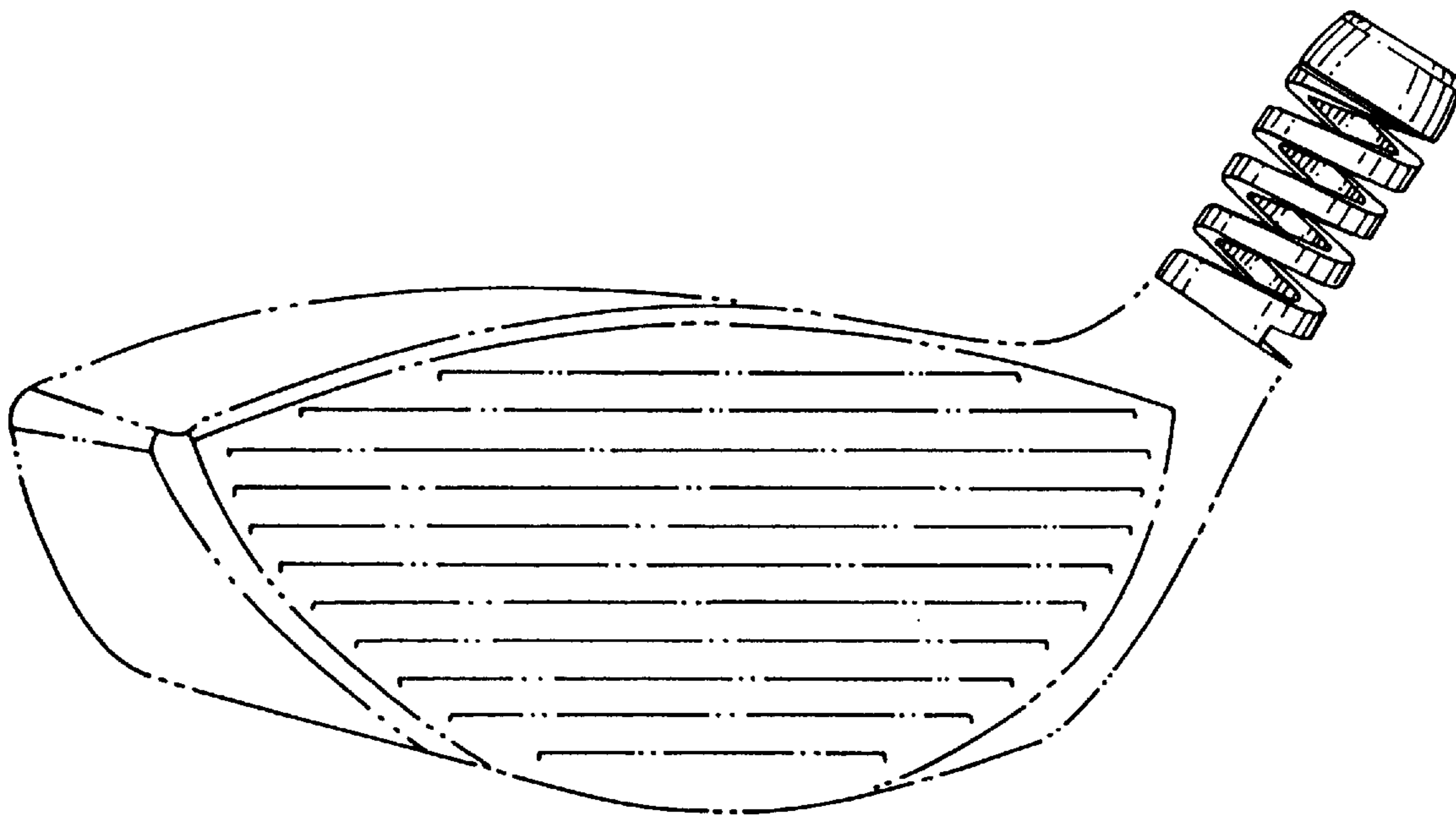


FIG. 1

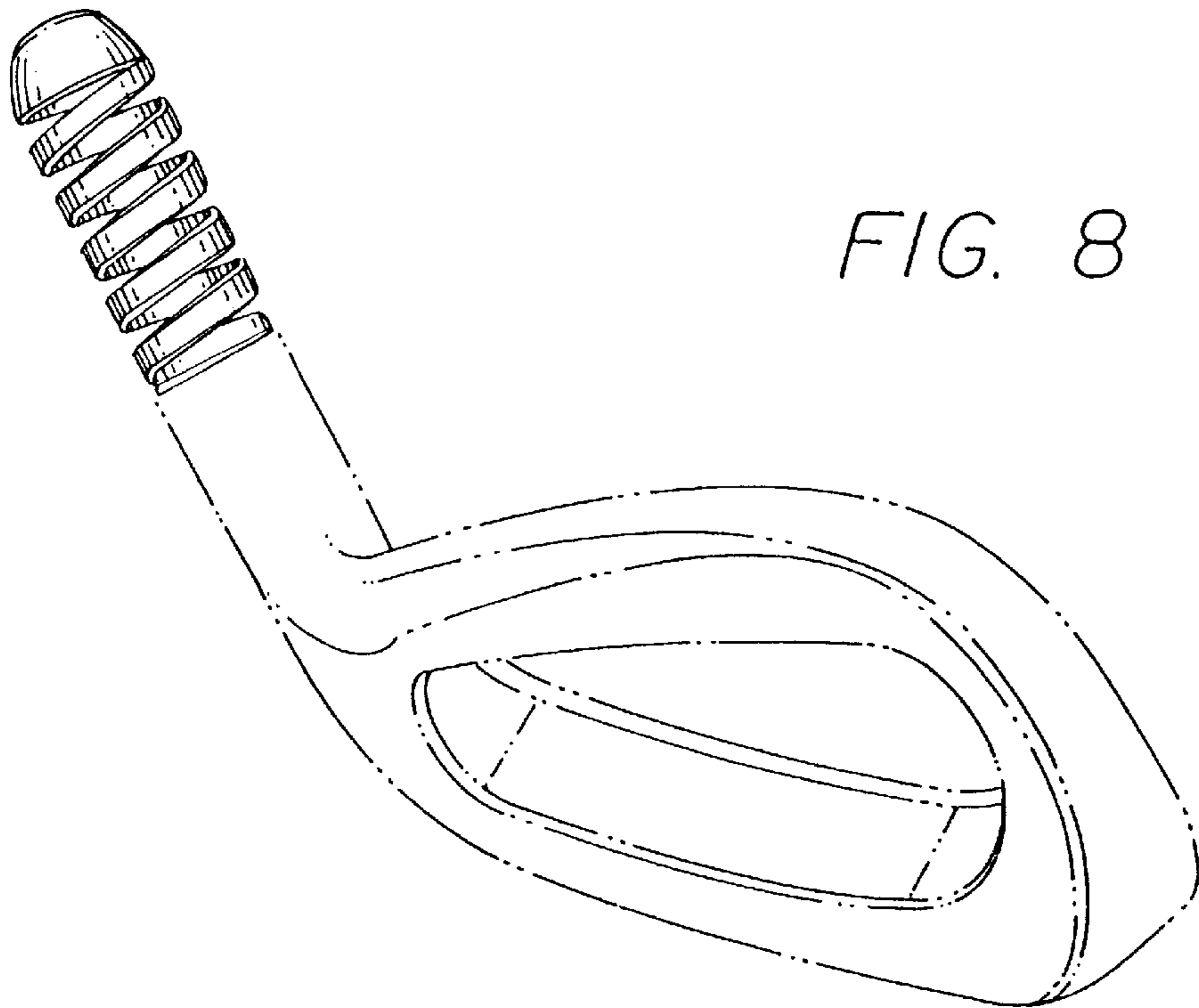
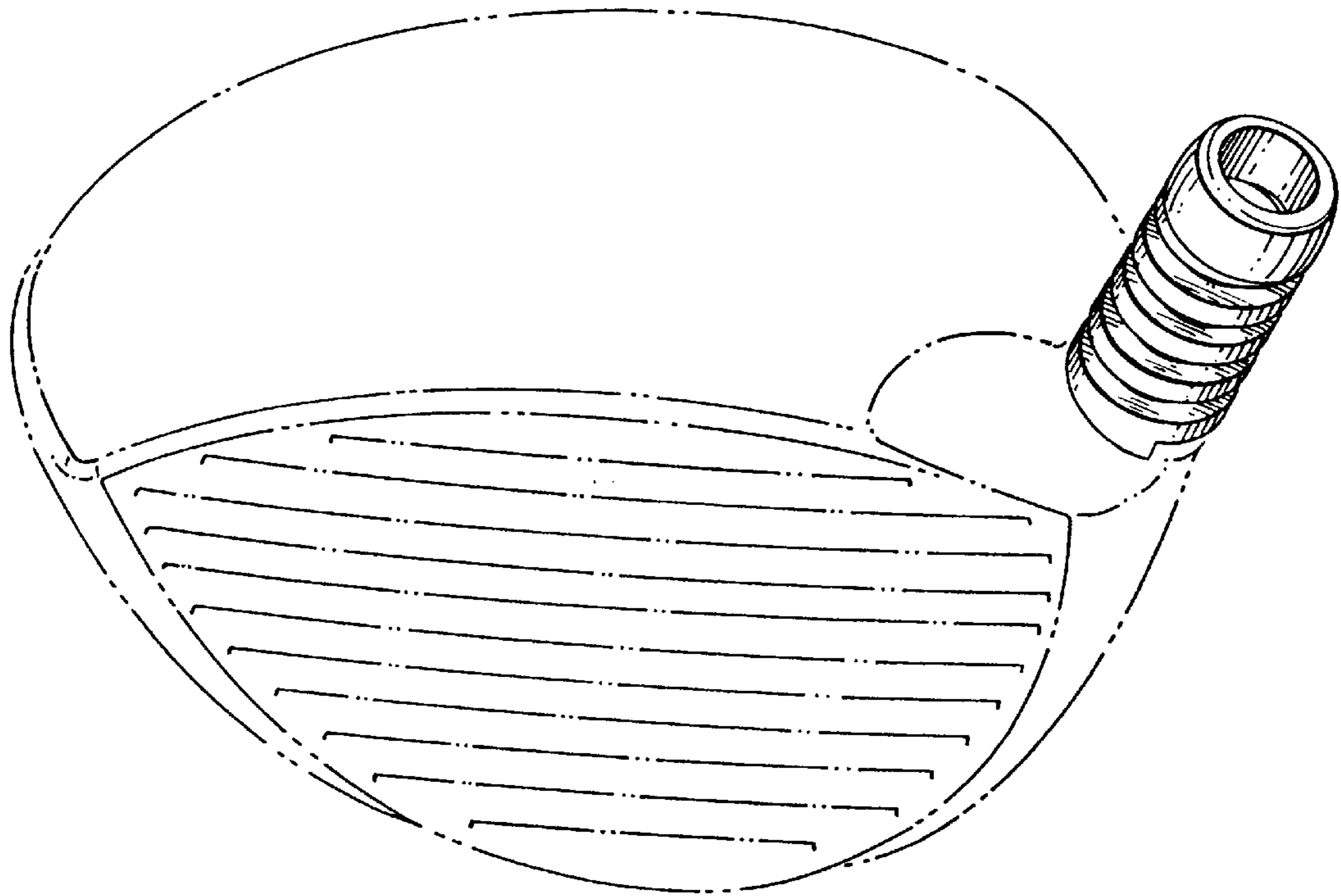


FIG. 8

FIG. 2

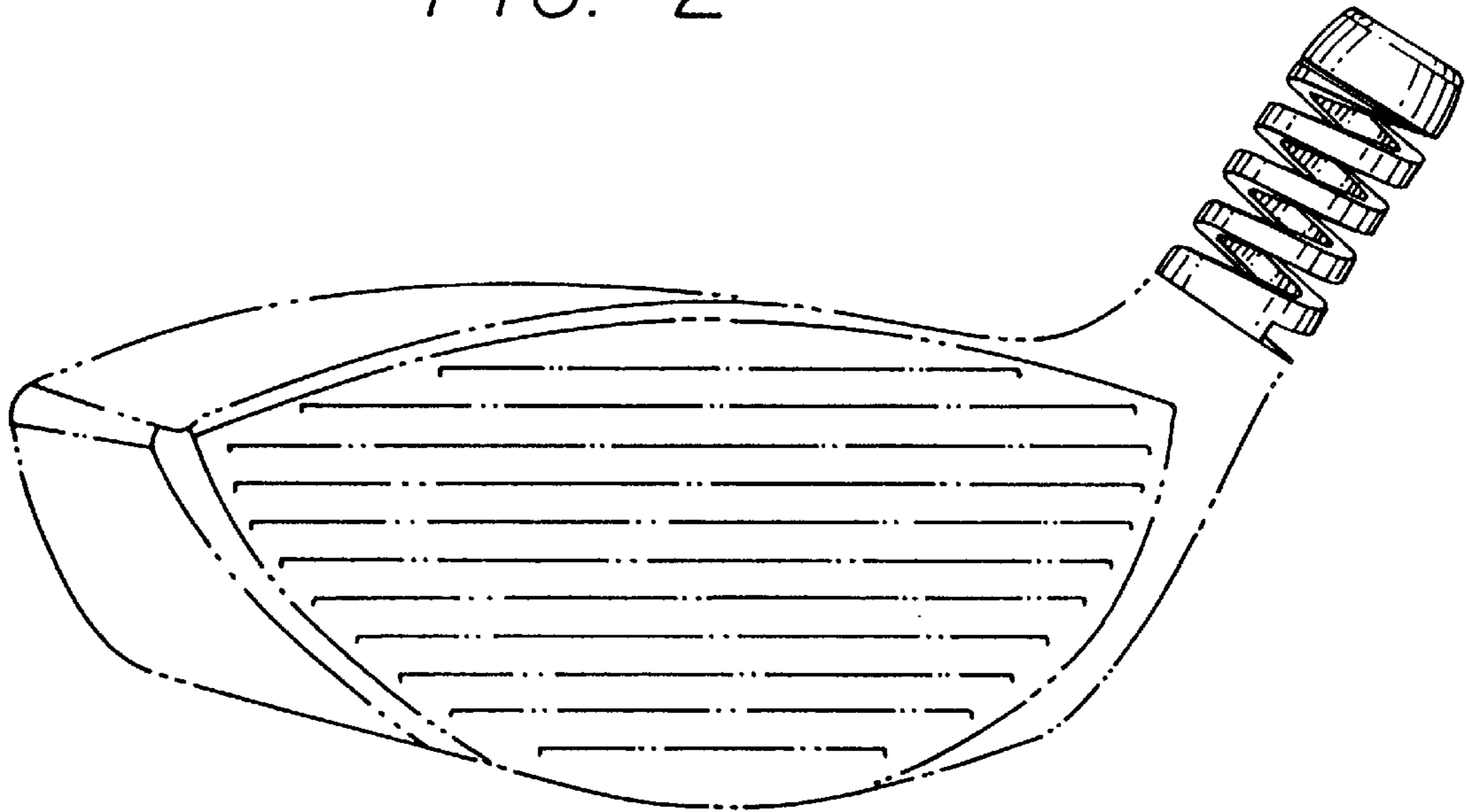


FIG. 3

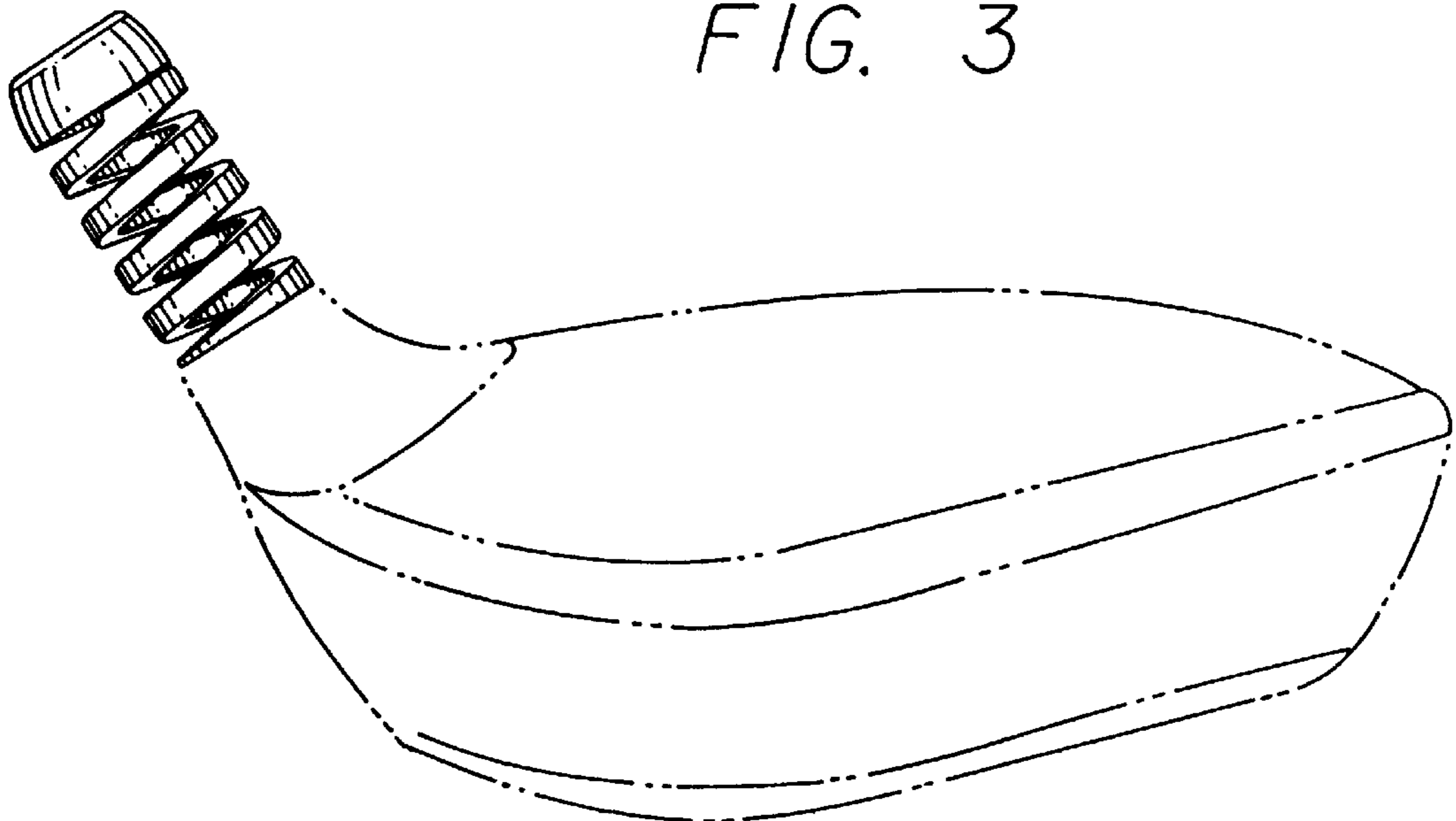


FIG. 4

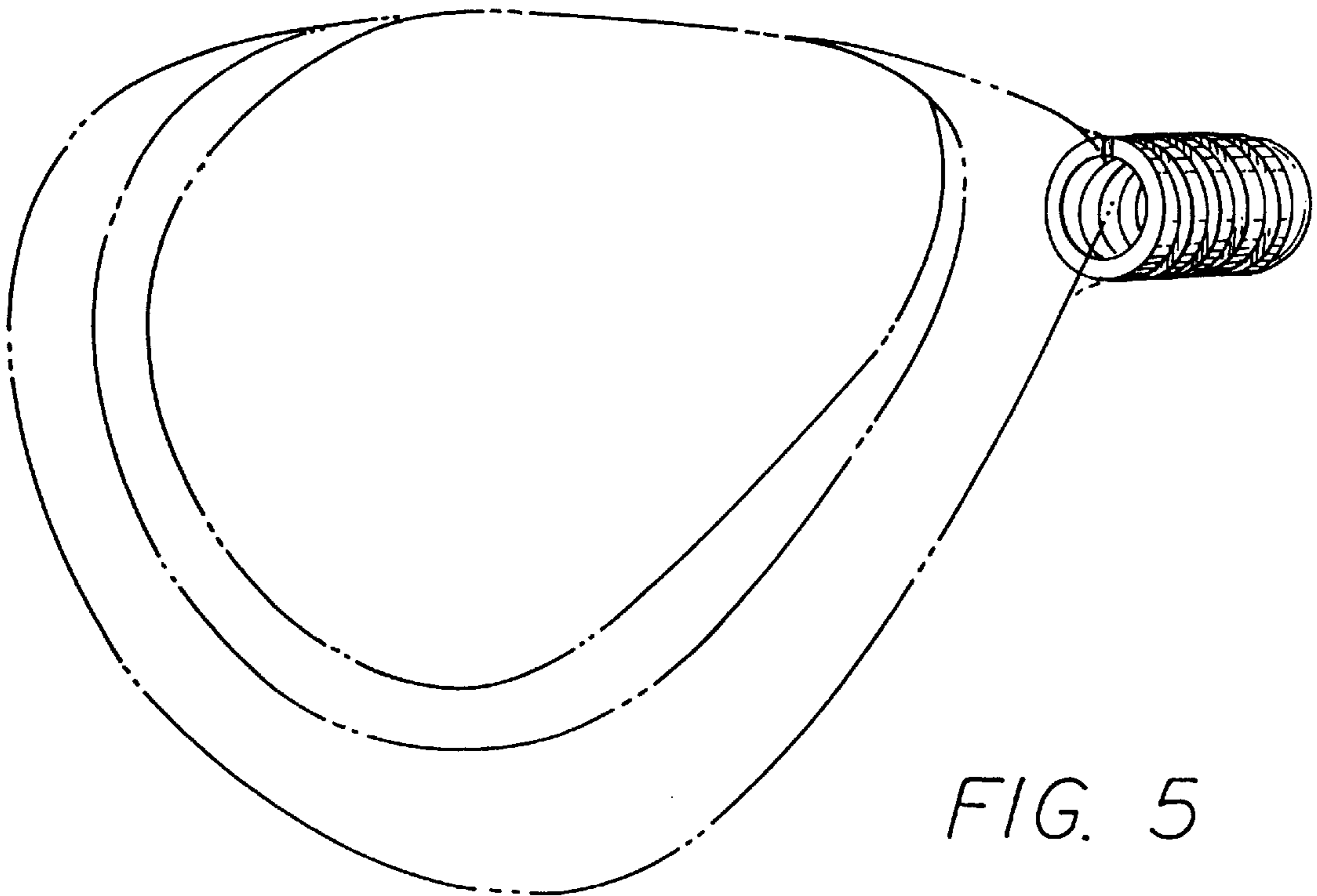
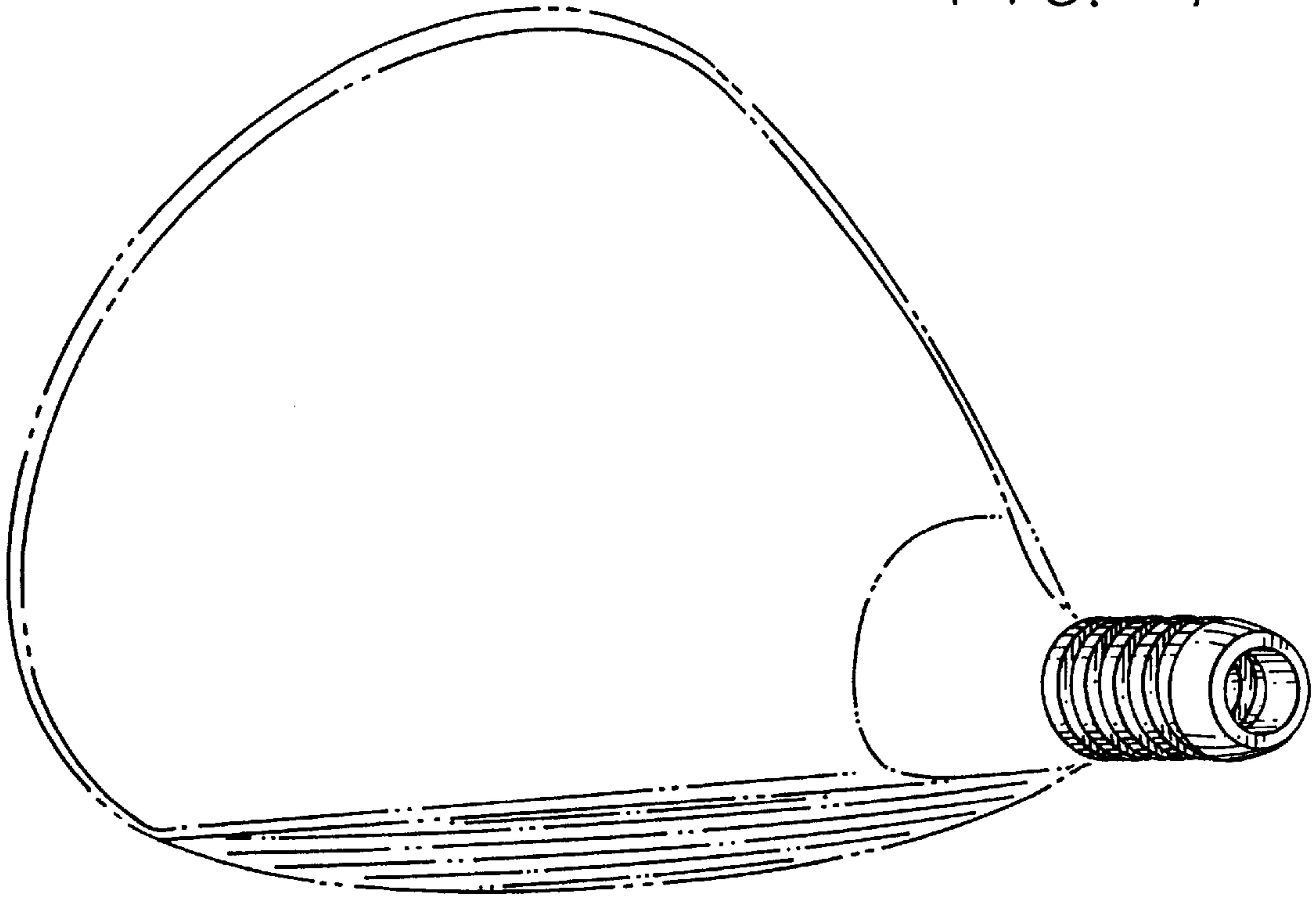


FIG. 5

FIG. 6

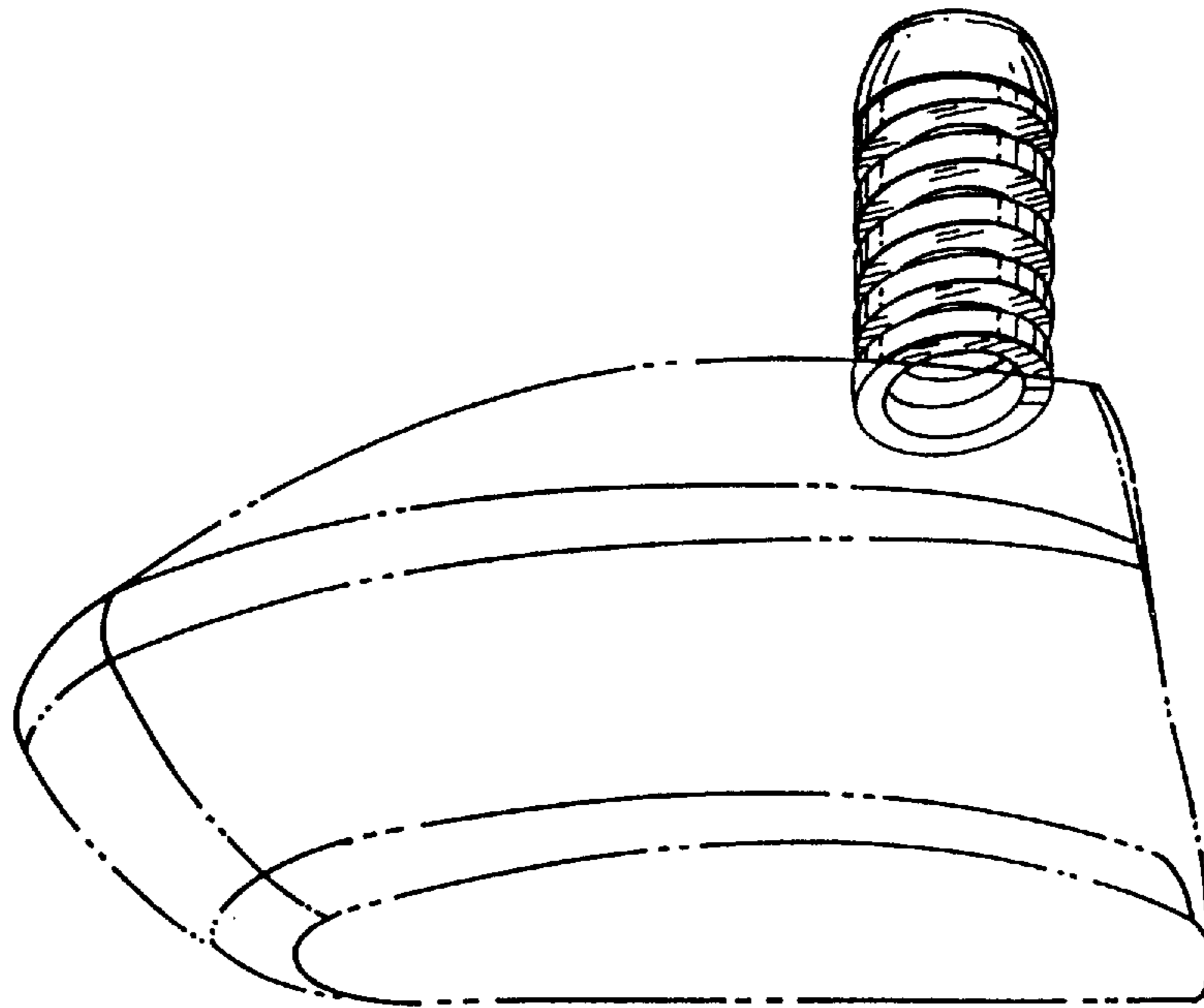


FIG. 7

