



US00D401653S

United States Patent [19]

[11] **Patent Number: Des. 401,653**

Burrows

[45] **Date of Patent: **Nov. 24, 1998**

[54] **SPIRAL HOSEL FOR A GOLF CLUB**

*Attorney, Agent, or Firm—*Kelly Bauersfeld Lowry & Kelley, LLP

[76] Inventor: **Bruce D. Burrows**, 25555 W. Avenue Stanford, Valencia, Calif. 91352-1101

[57] **CLAIM**

[**] Term: **14 Years**

The ornamental design for a spiral hosel for a golf club, as shown and described.

[21] Appl. No.: **77,696**

DESCRIPTION

[22] Filed: **Oct. 9, 1997**

FIG. 1 is a perspective view showing the top, front and left sides of a spiral hosel embodying the new design, the dotted line depiction of a wood-type golf club head being for illustrative purposes only and forms no part of the claimed design;

[51] **LOC (6) Cl. 21-02**

[52] **U.S. Cl. D21/753**

[58] **Field of Search** D21/214, 217-220, D21/221; 473/324, 340-343, 345, 350, 282

FIG. 2 is a front elevational view thereof;

FIG. 3 is a rear elevational view thereof;

FIG. 4 is a top plan view thereof;

FIG. 5 is a bottom plan view thereof;

FIG. 6 is a left side elevational view thereof;

FIG. 7 is a right side elevational view thereof;

FIG. 8 is a sectional view taken on the line 8-8 of FIG. 2; and,

[56] **References Cited**

U.S. PATENT DOCUMENTS

D. 267,965	2/1983	Kobayashi	D21/220
D. 371,408	7/1996	Ashcraft et al.	D21/221
D. 380,802	7/1997	Franks	D21/221
3,140,873	7/1964	Goodwin	D21/222 X
3,341,202	9/1967	Stars	473/282
5,324,033	6/1994	Fenton, Jr.	D21/221

FIG. 9 is a perspective view showing the top, front and left sides of the spiral hosel of FIGS. 1-8 for use with an iron-type golf club head shown in the dotted lines for illustrative purposes only and forms no part of the claimed design.

*Primary Examiner—*Ted Shooman
*Assistant Examiner—*Mitchell I. Siegel

1 Claim, 4 Drawing Sheets

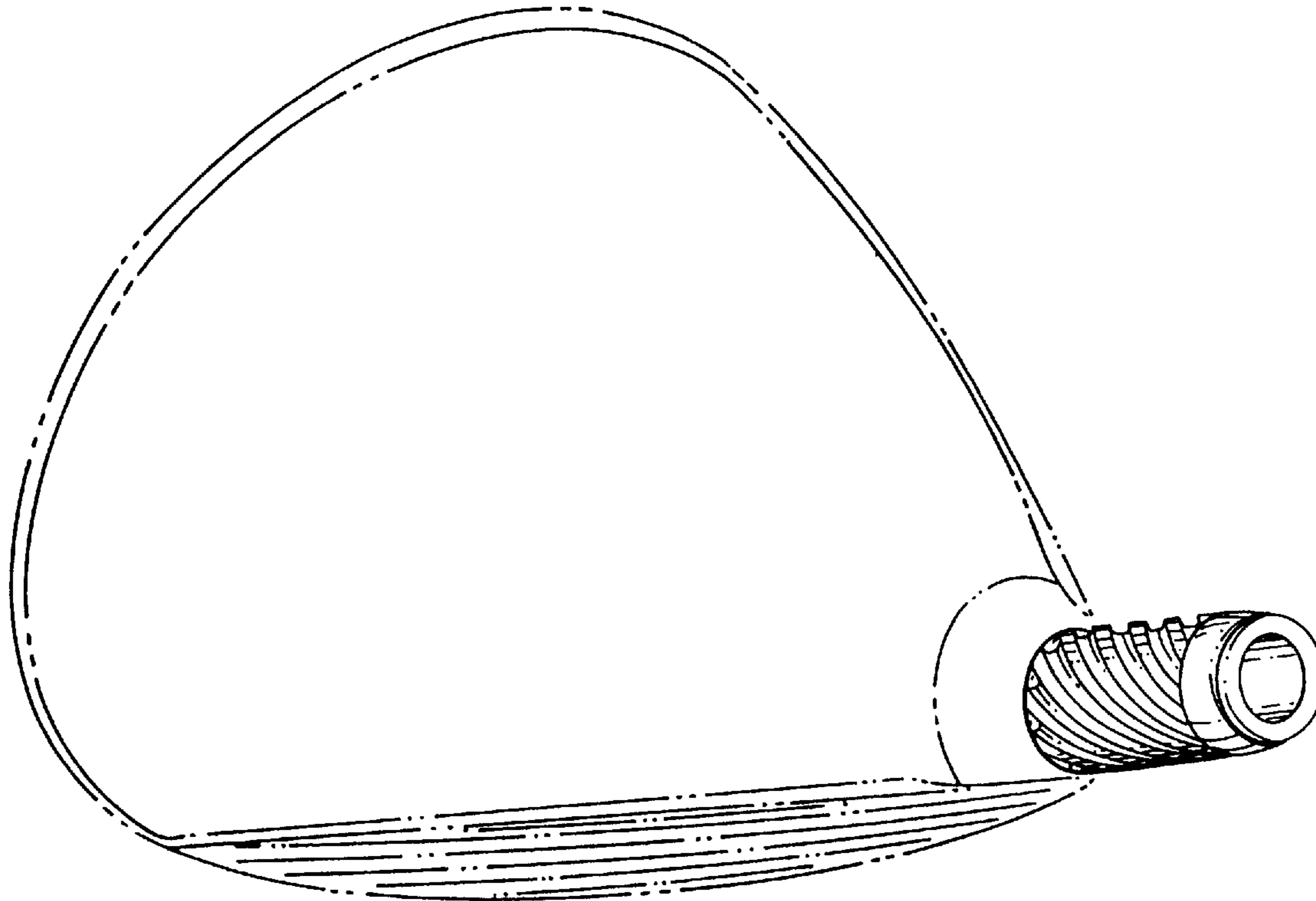


FIG. 1

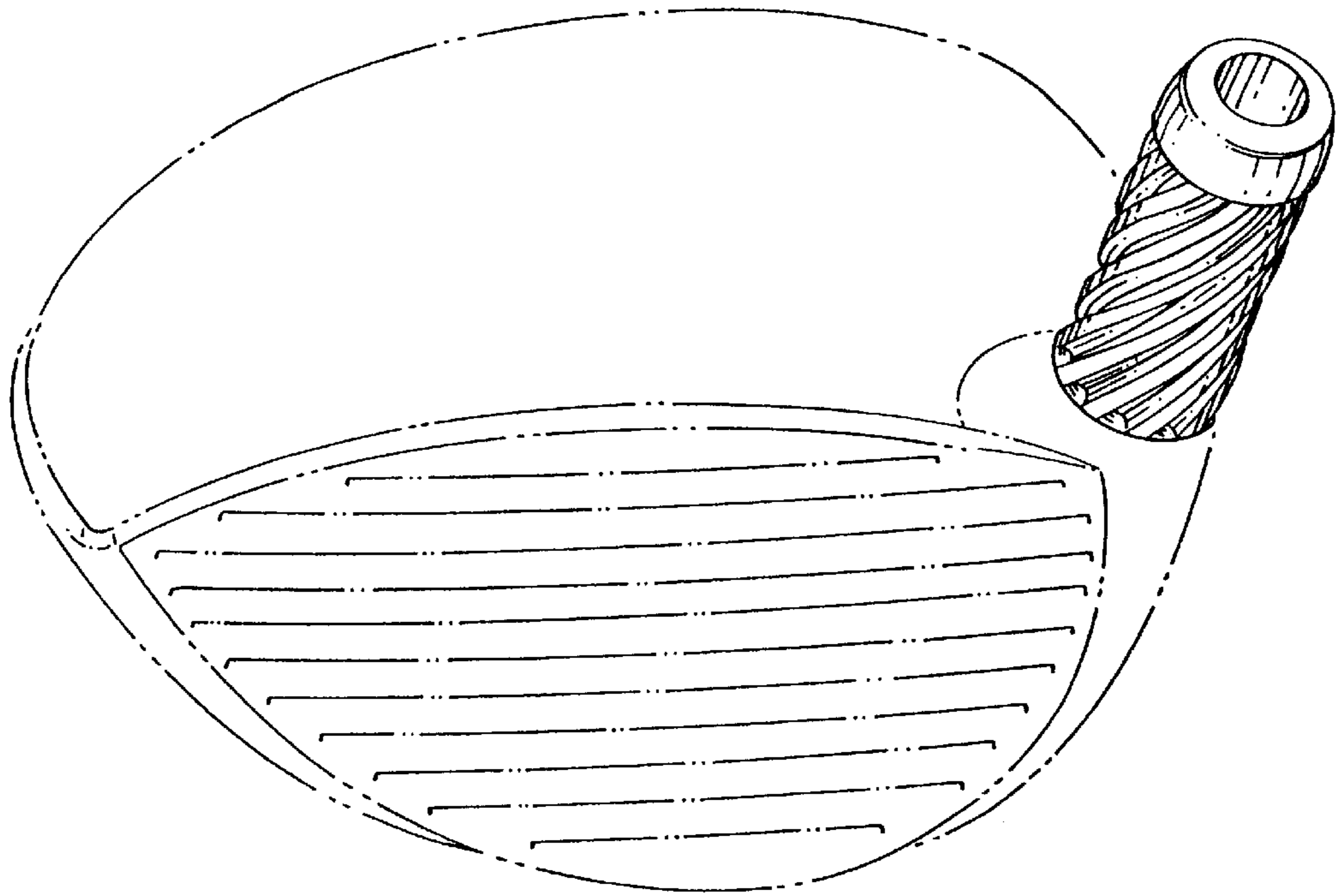


FIG. 8

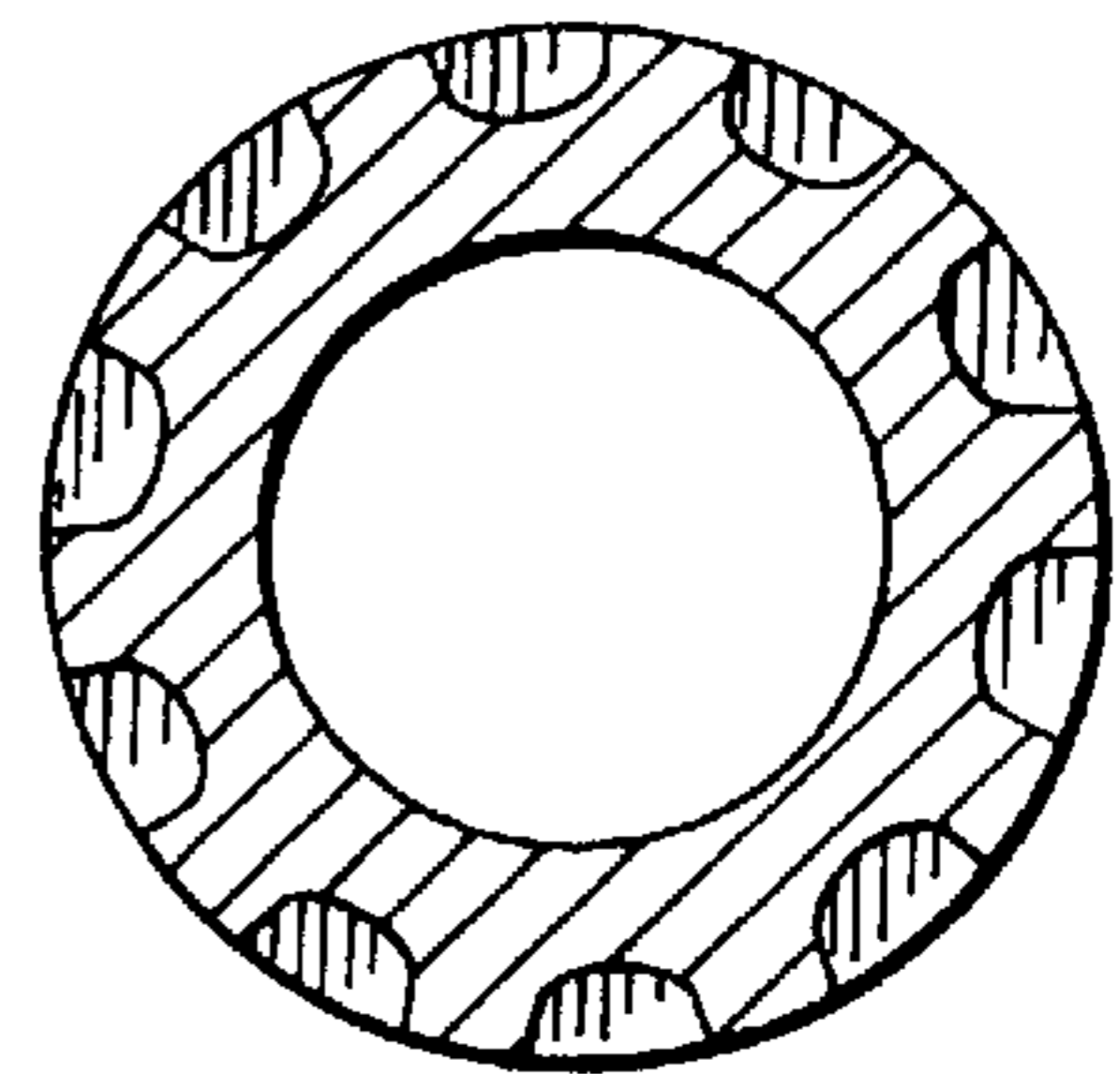


FIG. 9

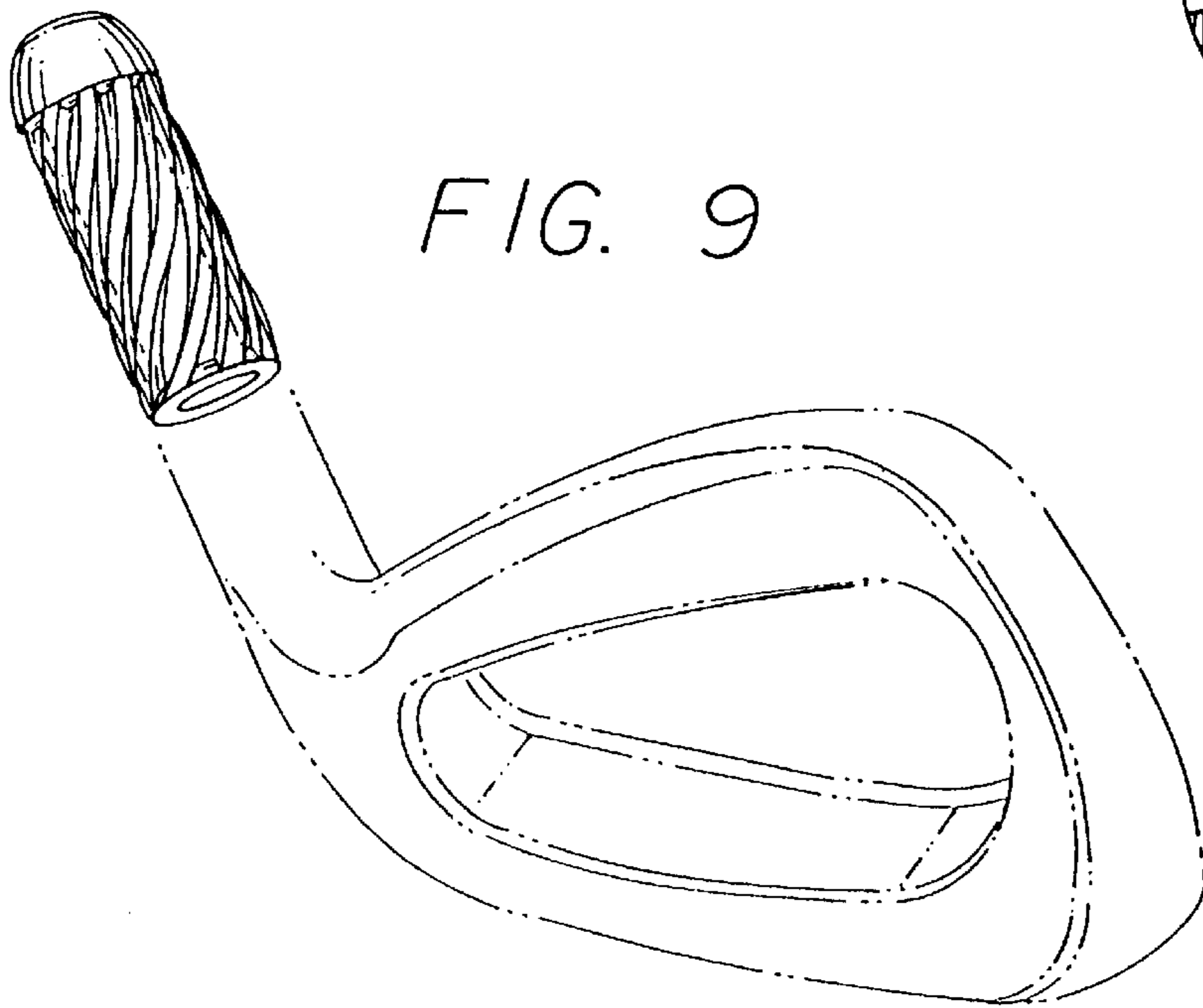


FIG. 2

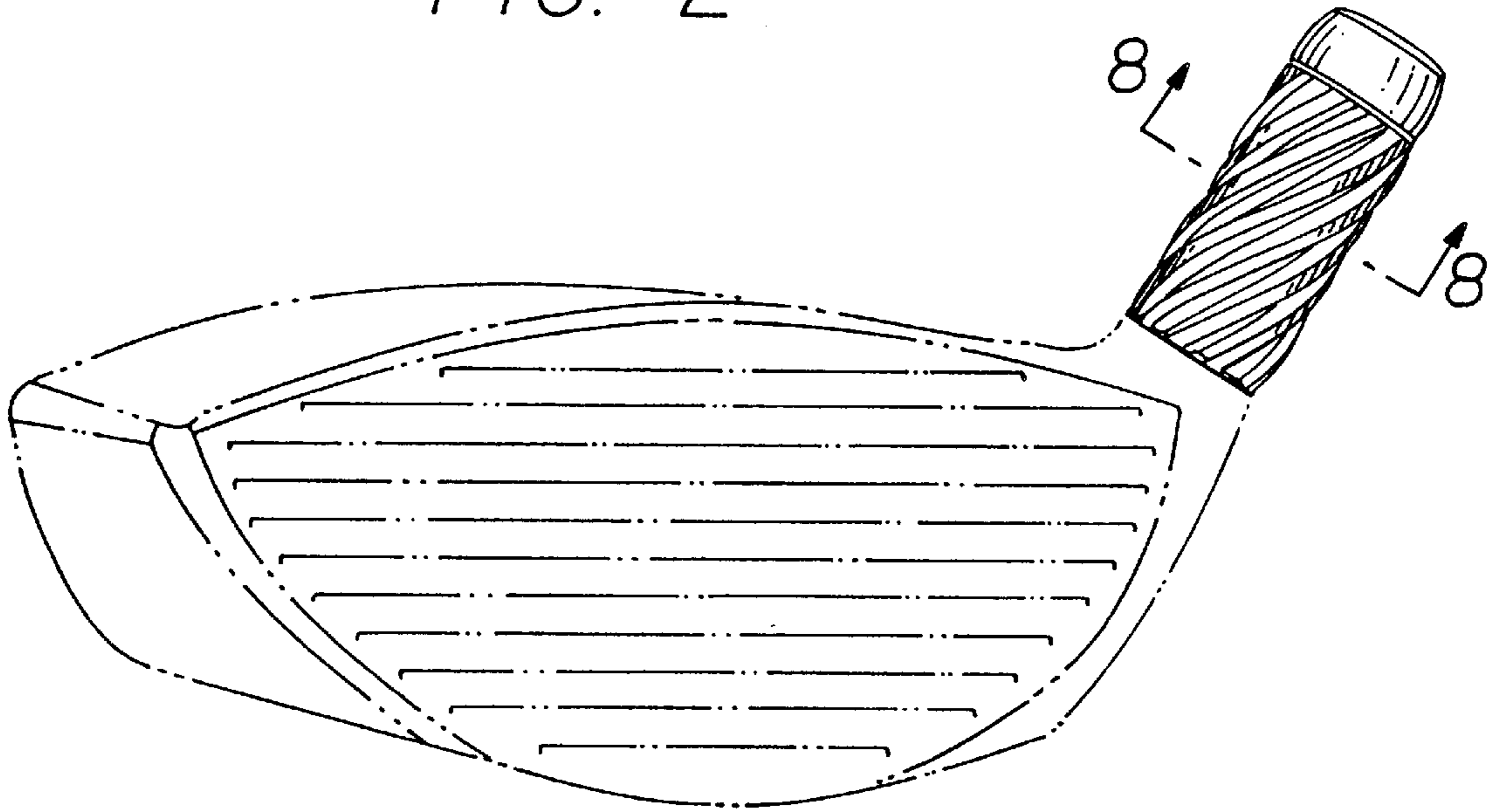


FIG. 3

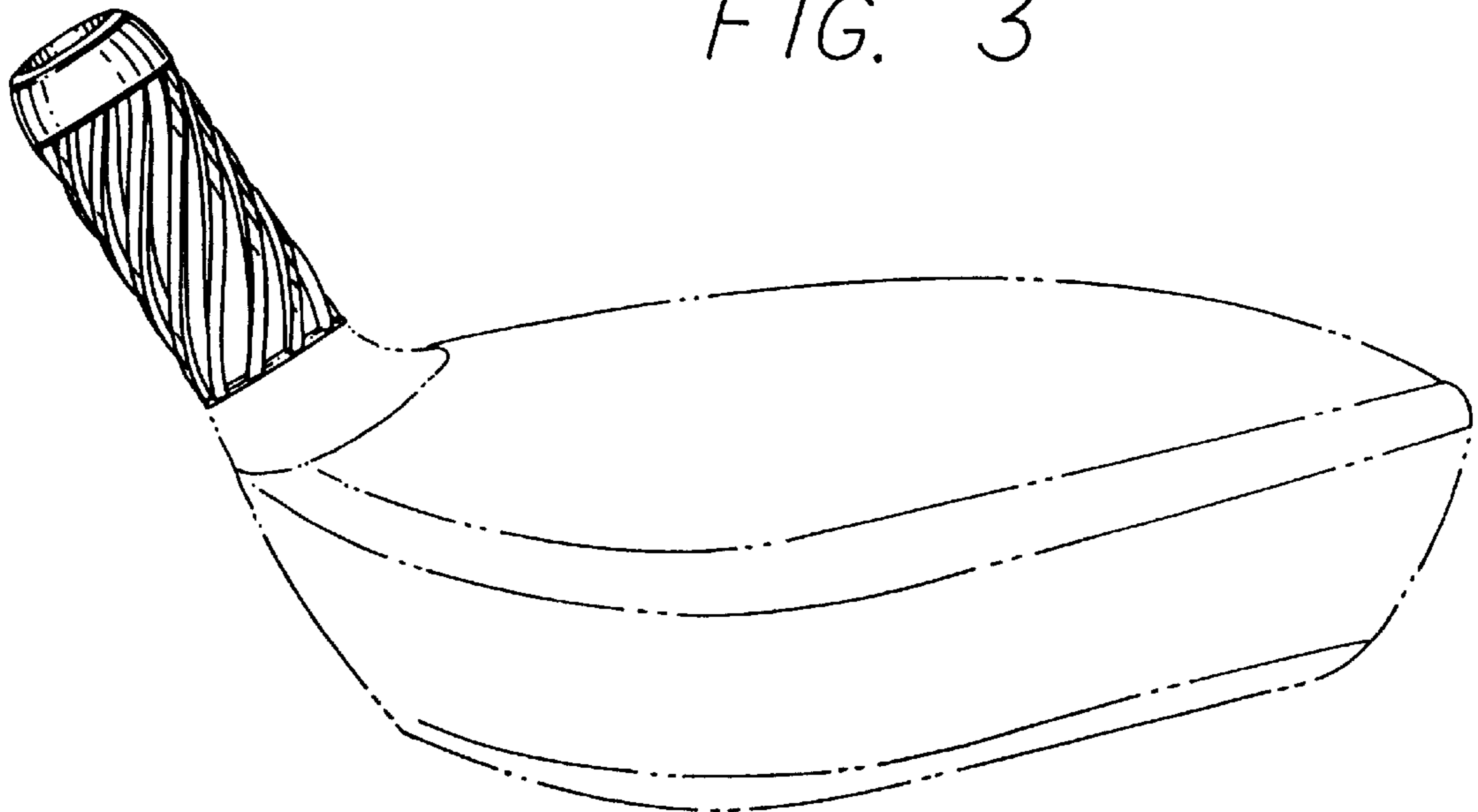


FIG. 4

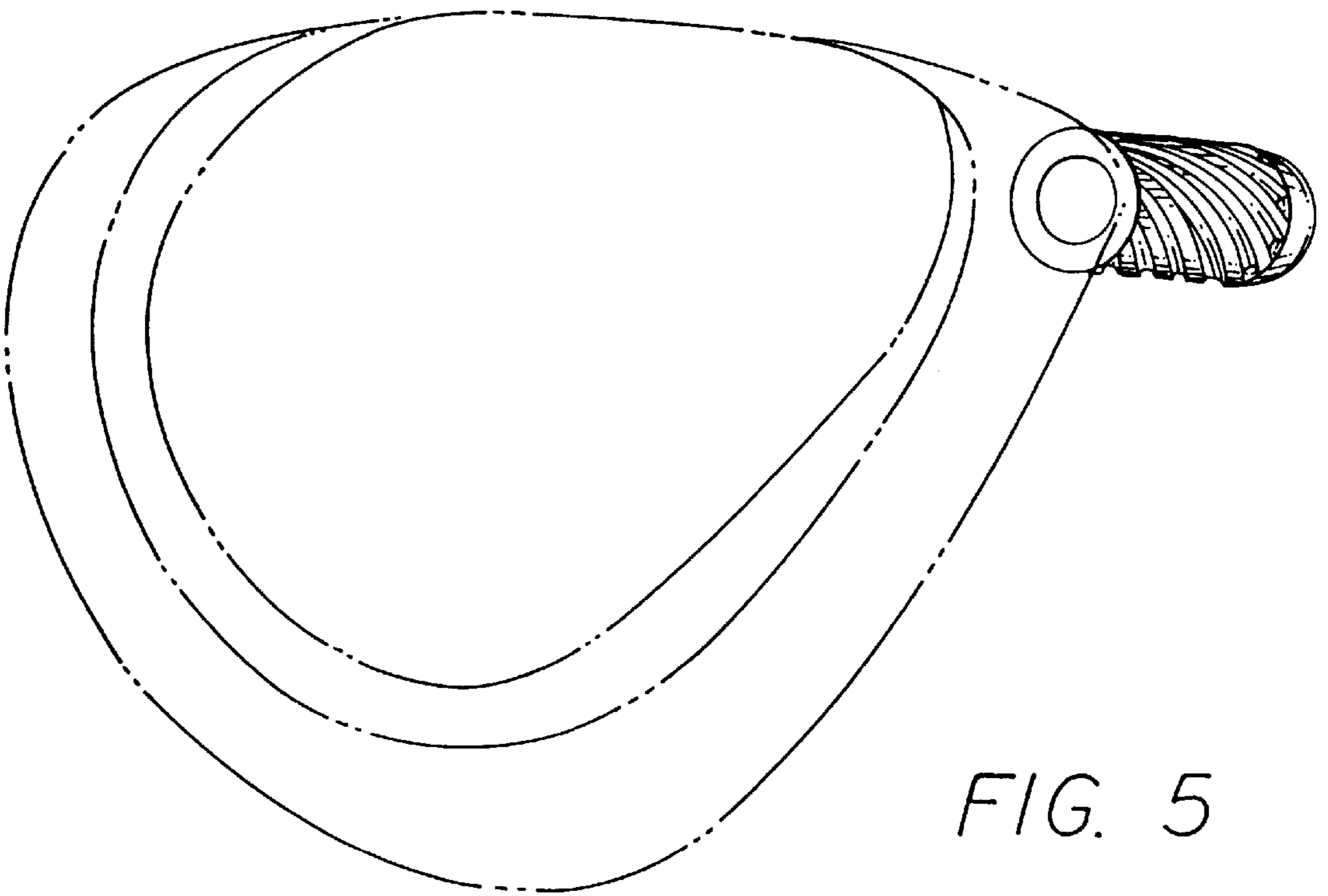
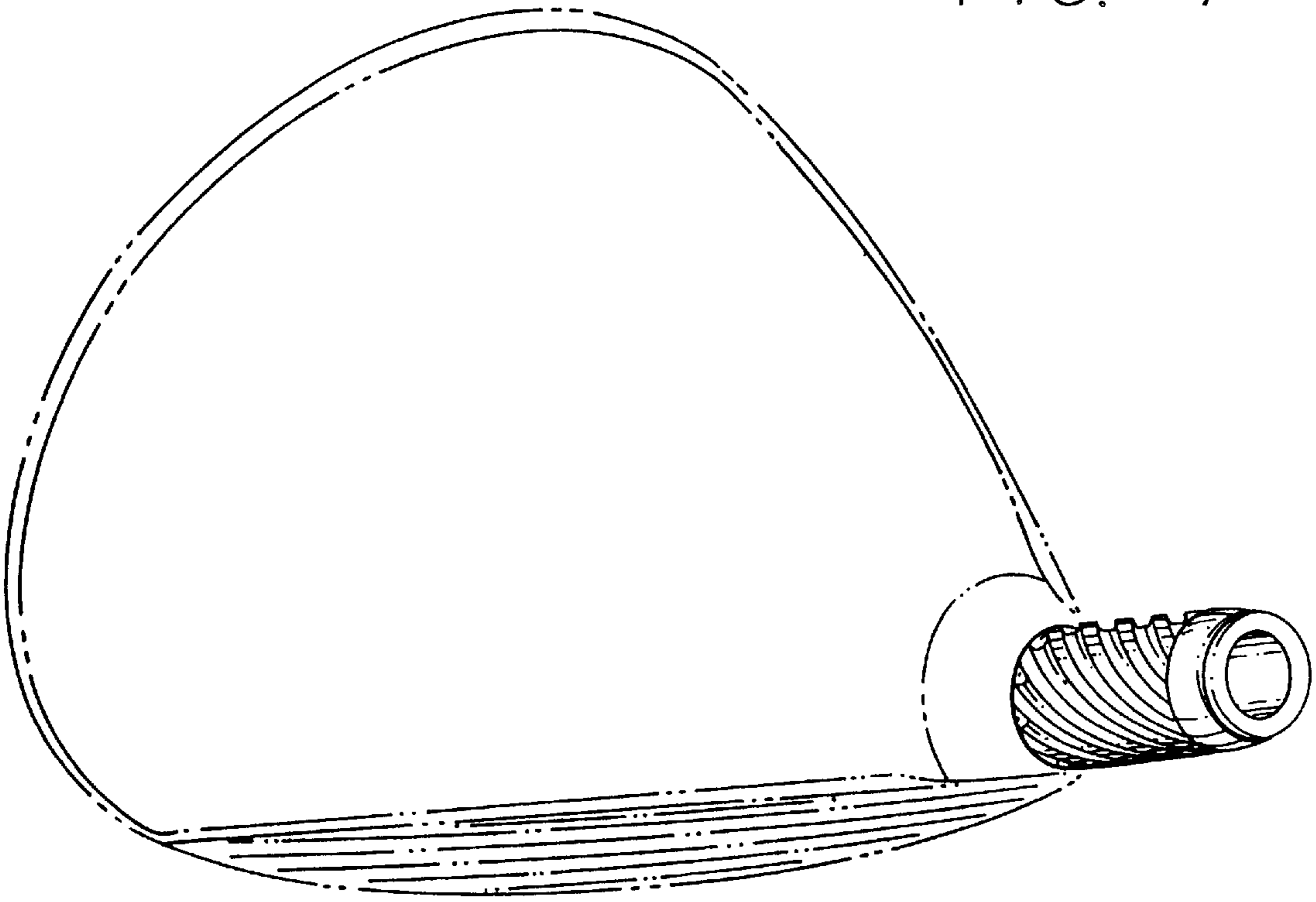


FIG. 5

FIG. 6

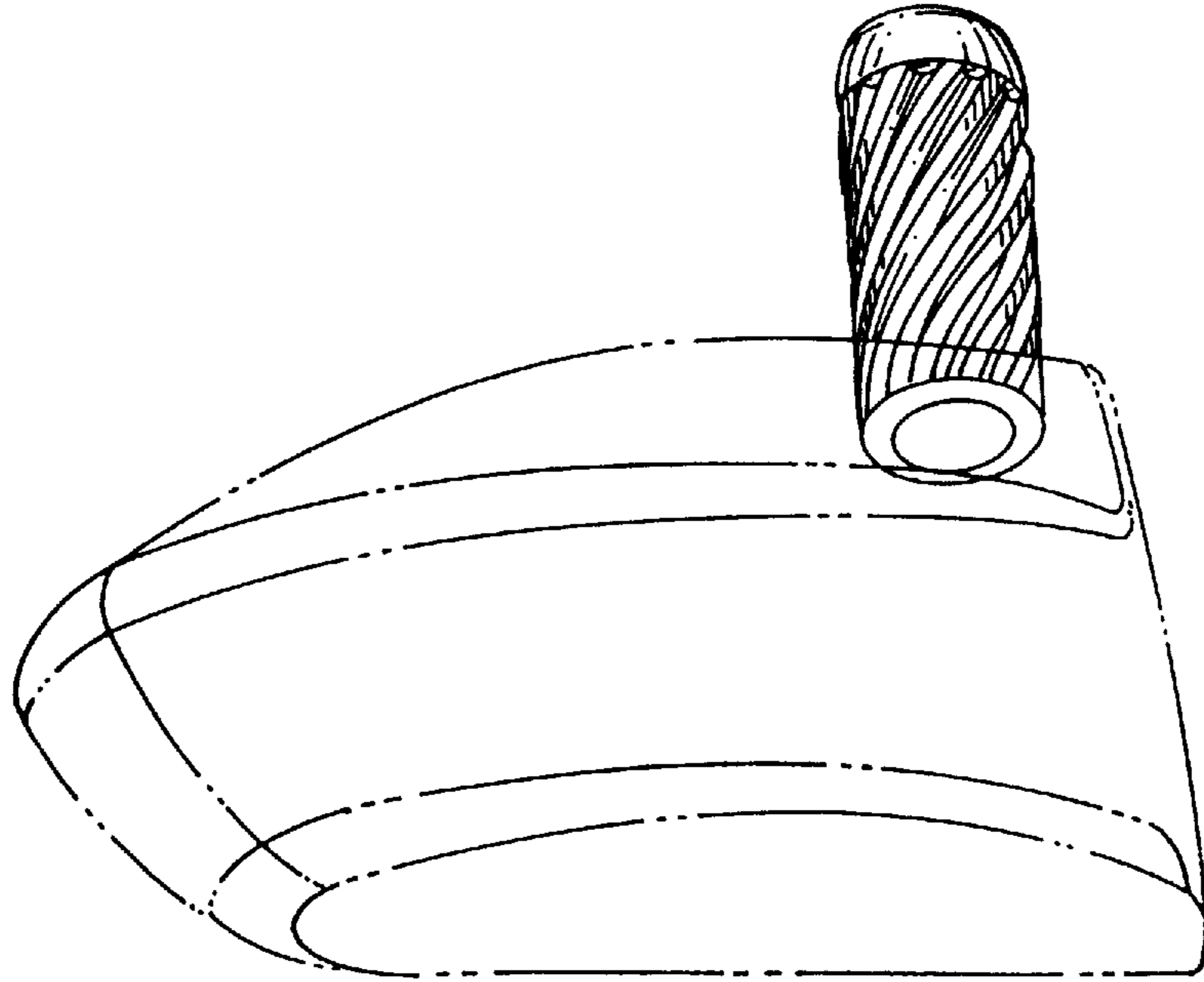


FIG. 7

