



US00D401651S

United States Patent [19]
Cleveland et al.

[11] **Patent Number: Des. 401,651**
[45] **Date of Patent: **Nov. 24, 1998**

[54] **GOLF PUTTER HEAD AND ANGLED HOSEL**

[75] Inventors: **Roger C. Cleveland**, Los Angeles;
Augustin W. Rollinson, San Diego;
Wayne H. Byrne, Diamond Bar; **Garth Smith**, Vista, all of Calif.

[73] Assignee: **Callaway Golf Company**, Carlsbad, Calif.

[**] Term: **14 Years**

[21] Appl. No.: **78,675**

[22] Filed: **Oct. 31, 1997**

Related U.S. Application Data

[63] Continuation-in-part of Ser. No. 47,831, Jan. 16, 1996, Pat. No. Des. 385,933.

[51] **LOC (6) Cl.** **21-02**

[52] **U.S. Cl.** **D21/736**

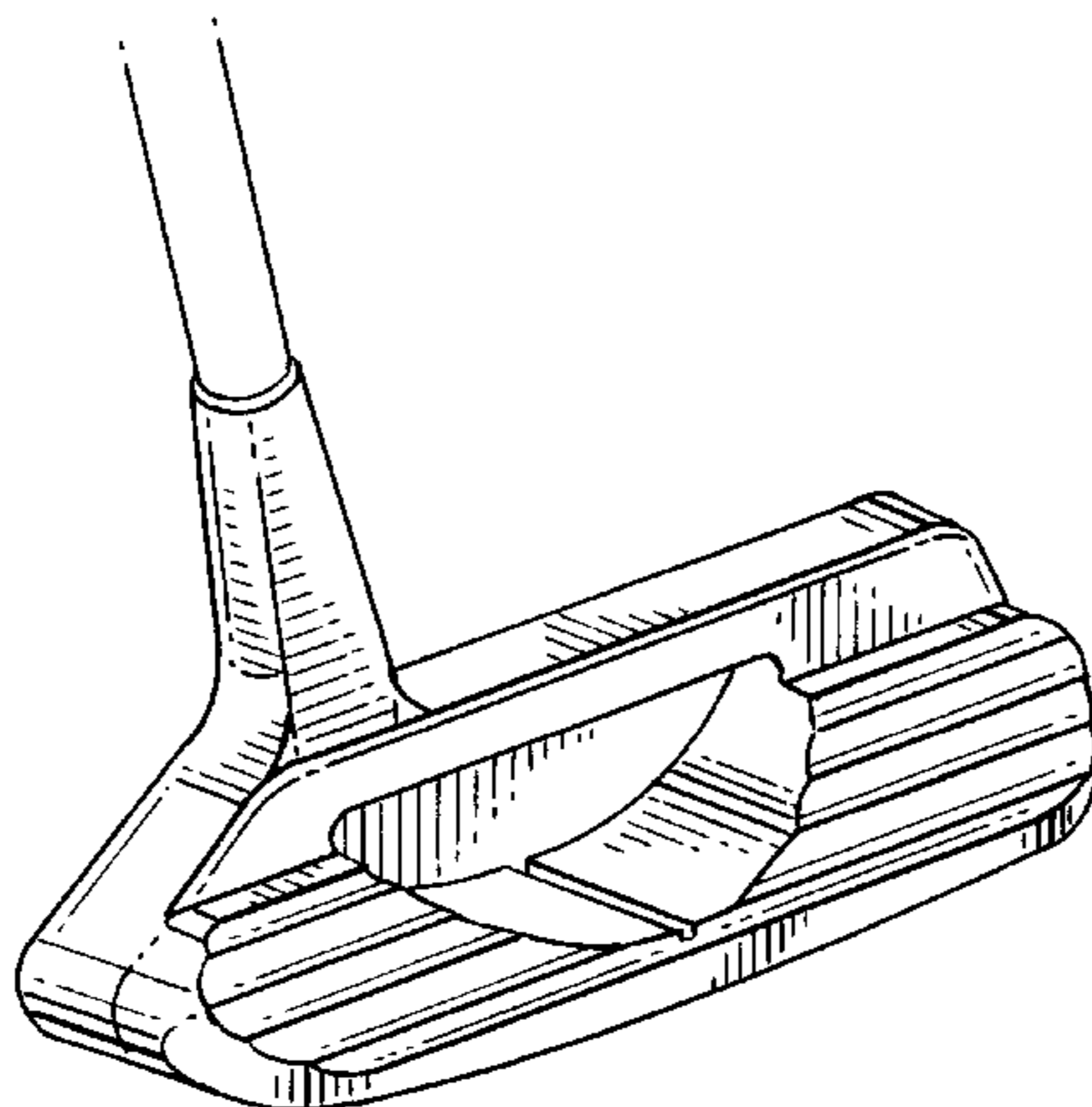
[58] **Field of Search** D21/217-219;
473/324, 327, 251-256, 340, 341

[56] **References Cited**

U.S. PATENT DOCUMENTS

- D. 162,054 2/1951 Markovich .
- D. 196,734 10/1963 Solheim .
- D. 223,767 6/1972 Houghtaling .
- D. 228,355 9/1973 Penna .
- D. 234,209 1/1975 Bizovi .
- D. 234,963 4/1975 Hirata .
- D. 238,285 12/1975 Ross .
- D. 245,441 8/1977 Middlestadt .
- D. 246,541 11/1977 Myers .
- D. 247,383 2/1978 Adkins .
- D. 248,181 6/1978 Cervantes .
- D. 248,783 8/1978 Long .
- D. 257,784 1/1981 Forys et al. .
- D. 285,956 9/1986 Shearer .
- D. 293,126 12/1987 Bizovi .
- D. 303,132 8/1989 Mata .
- D. 320,427 10/1991 Antonious .
- D. 321,738 11/1991 Brown .
- D. 321,920 11/1991 Parente et al. .
- D. 322,651 12/1991 Parente et al. .

- D. 334,606 4/1993 Cameron .
- D. 343,434 1/1994 Helmstetter et al. .
- D. 344,117 2/1994 Helmstetter et al. .
- D. 352,984 11/1994 Helmstetter et al. .
- D. 356,843 3/1995 Schmidt et al. .
- D. 357,520 4/1995 Helmstetter et al. .
- D. 360,445 7/1995 Schmidt et al. .
- D. 360,922 8/1995 Grace D21/217
- D. 364,906 12/1995 Schmidt et al. .
- D. 365,130 12/1995 Schmidt et al. .
- D. 371,180 6/1996 Grace .
- D. 373,160 8/1996 Grace D21/217
- D. 373,162 8/1996 Meyer et al. D21/219
- D. 378,113 2/1997 Rollinson et al. D21/217
- D. 383,512 9/1997 Schmidt et al. D21/219
- D. 385,933 11/1997 Rollinson et al. D21/217
- D. 388,851 1/1998 Rollinson et al. D21/217
- 922,444 5/1909 Youds .
- 1,485,685 3/1924 McMahan .
- 1,511,479 10/1924 Kelly et al. .
- 1,517,476 12/1924 Tyler .
- 1,678,637 7/1928 Drevitson .
- 1,854,548 4/1932 Hunt .
- 1,894,706 1/1933 Reach .
- 1,894,707 1/1933 Reach .
- 1,906,239 5/1933 Reach .
- 1,946,007 2/1934 Watson .
- 1,953,604 4/1934 Heller .
- 1,980,408 11/1934 Jansky .
- 1,993,928 3/1935 Glover .
- 2,129,068 9/1938 Reach .
- 2,661,952 12/1953 Jackson .
- 2,781,197 2/1957 Wiley .
- 2,846,228 8/1958 Reach .
- 3,043,596 7/1962 Ehmke .
- 3,134,596 5/1964 Boznos .
- 3,211,455 10/1965 Hyden .
- 3,218,072 11/1965 Burr .
- 3,240,497 3/1966 Taylor .
- 3,333,854 8/1967 White .
- 3,387,844 6/1968 Shippe .
- 3,680,868 8/1972 Jacob .
- 3,749,408 7/1973 Mills .
- 3,815,910 6/1974 Raines .
- 3,841,641 10/1974 Bennett .
- 3,843,122 10/1974 Florian .
- 3,863,932 2/1975 Lezatte .
- 3,888,492 6/1975 Cabot .
- 3,923,308 12/1975 Mills .
- 3,966,210 6/1976 Rozmus .
- 3,967,826 7/1976 Judice .



3,989,248 11/1976 Campau .
 4,000,902 1/1977 Perkins .
 4,121,832 10/1978 Ebbing .
 4,199,144 4/1980 Skelly .
 4,252,262 2/1981 Igarashi .
 4,272,572 6/1981 Netherly .
 4,330,128 5/1982 Morelli .
 4,398,965 8/1983 Campau .
 4,420,156 12/1983 Campau .
 4,498,672 2/1985 Bulla .
 4,573,685 3/1986 Young, IV et al. .
 4,632,400 12/1986 Boone .
 4,653,756 3/1987 Sato .
 4,655,459 4/1987 Antonious .
 4,660,832 4/1987 Shomo .
 4,679,792 7/1987 Straza et al. .
 4,695,054 9/1987 Tunstall .
 4,715,601 12/1987 Lamanna .
 4,736,949 4/1988 Muroi .
 4,740,345 4/1988 Nagasaki et al. .
 4,792,139 12/1988 Nagasaki et al. .
 4,798,383 1/1989 Nagasaki et al. .
 4,811,950 3/1989 Kobayashi .
 4,848,747 7/1989 Fujimura et al. .
 4,854,581 8/1989 Long .
 4,884,812 12/1989 Nagasaki et al. .
 4,928,972 5/1990 Nakanishi et al. .
 4,957,294 9/1990 Long .
 4,964,640 10/1990 Nakanishi et al. .
 4,995,609 2/1991 Parente et al. .
 5,016,882 5/1991 Fujimura et al. .
 5,026,056 6/1991 McNally et al. .
 5,046,733 9/1991 Antonious .
 5,060,949 10/1991 Brill .
 5,067,711 11/1991 Parente et al. .
 5,078,398 1/1992 Reed et al. .
 5,082,279 1/1992 Hull et al. .
 5,083,778 1/1992 Douglass .
 5,104,457 4/1992 Viljoen et al. .
 5,176,384 1/1993 Sata et al. .
 5,193,805 3/1993 Solheim .
 5,197,737 3/1993 Desboilles et al. .
 5,246,231 9/1993 Antonious .
 5,248,145 9/1993 Brown .
 5,277,423 1/1994 Artus .
 5,282,625 2/1994 Schmidt et al. .
 5,290,036 3/1994 Fenton et al. .
 5,301,946 4/1994 Schmidt et al. .
 5,314,184 5/1994 Schmidt et al. .

5,332,214 7/1994 Tucker, Sr. .
 5,340,107 8/1994 Baker et al. .
 5,460,377 10/1995 Schmidt et al. .
 5,464,218 11/1995 Schmidt et al. .
 5,485,997 1/1996 Schmidt et al. .

FOREIGN PATENT DOCUMENTS

901416 4/1985 Belgium .
 582366 2/1994 European Pat. Off. .
 608128 7/1994 European Pat. Off. .
 2575393 7/1986 France .
 2680695 9/1993 France .
 53-15412 5/1978 Japan .
 37178 1/1991 Japan .
 371974 5/1932 United Kingdom .

OTHER PUBLICATIONS

1995 Callaway Golf Catalog, p. 19.
 1994 Callaway Golf Catalog, p. 23.
 1993 Callaway Golf Catalog, pp. 16 & 17.
 1992 Callaway Golf Catalog, pp. 17 & 18.
 1991 Callaway Golf Catalog, p. 17.
 1990 Callaway Golf Catalog, pp. 10 & 11.
 Callaway Golf Catalog—1989.
 1988 Callaway Golf Catalog.

Primary Examiner—Ted Shooman
Assistant Examiner—Mitchell I. Siegel
Attorney, Agent, or Firm—William W. Haefliger

[57]

CLAIM

The ornamental design for golf putter head with flutes and angled hosel, as shown and described.

DESCRIPTION

FIG. 1 is a perspective view of a golf putter head with flutes and angled hosel embodying our new design;
 FIG. 2 is a top plan view thereof;
 FIG. 3 is a rear view thereof;
 FIG. 4 is a front view thereof;
 FIG. 5 is a bottom plan view thereof;
 FIG. 6 is a toe end view thereof; and,
 FIG. 7 is a heel end view thereof.

1 Claim, 4 Drawing Sheets

FIG. 1.

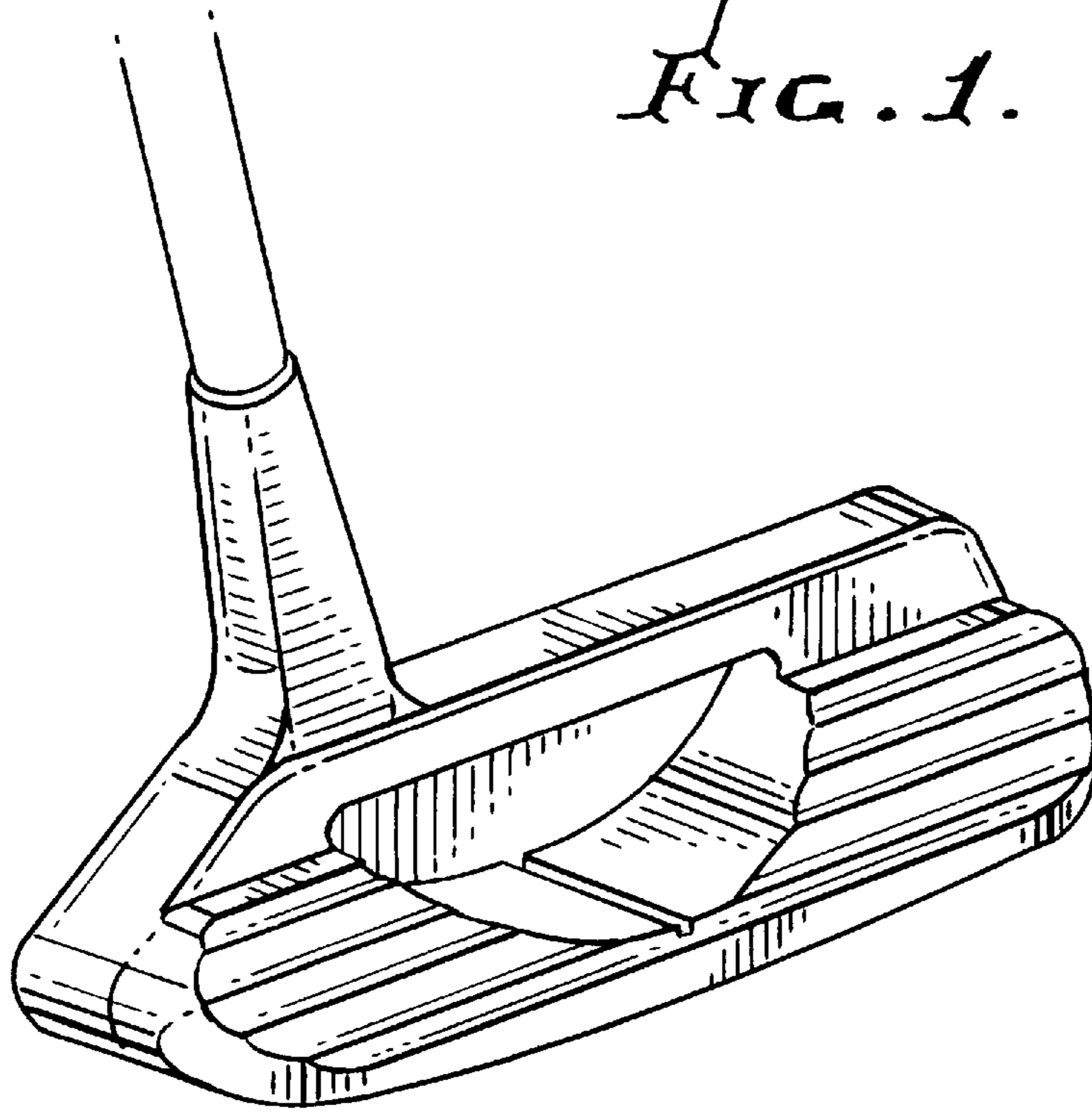


FIG. 2.

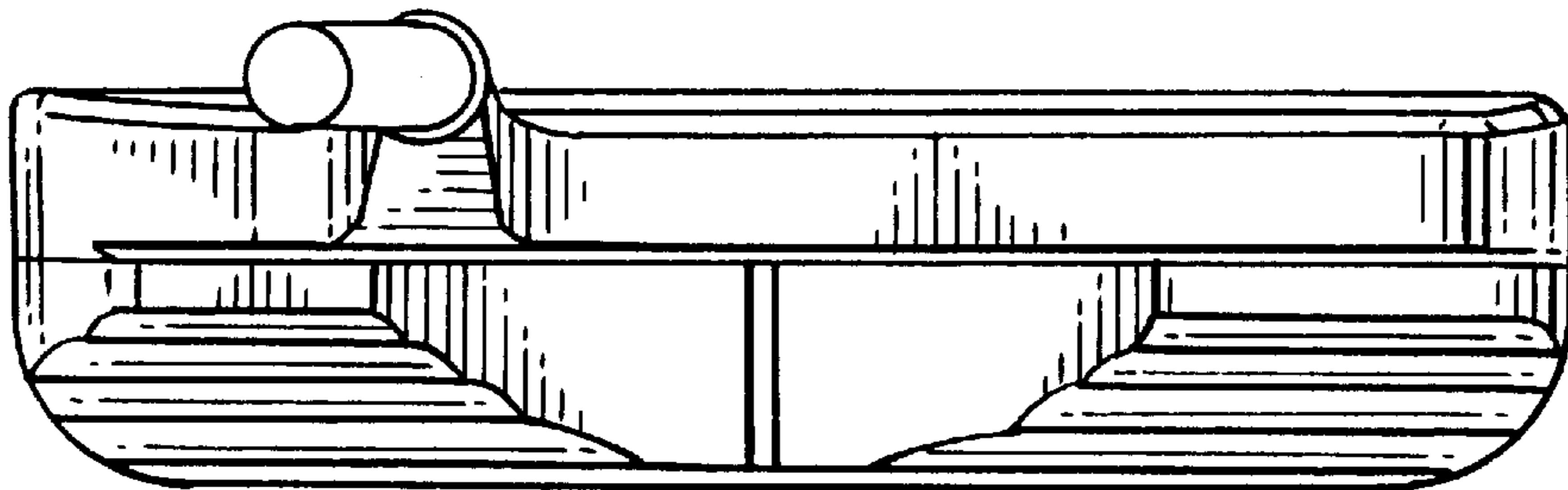


FIG. 3.

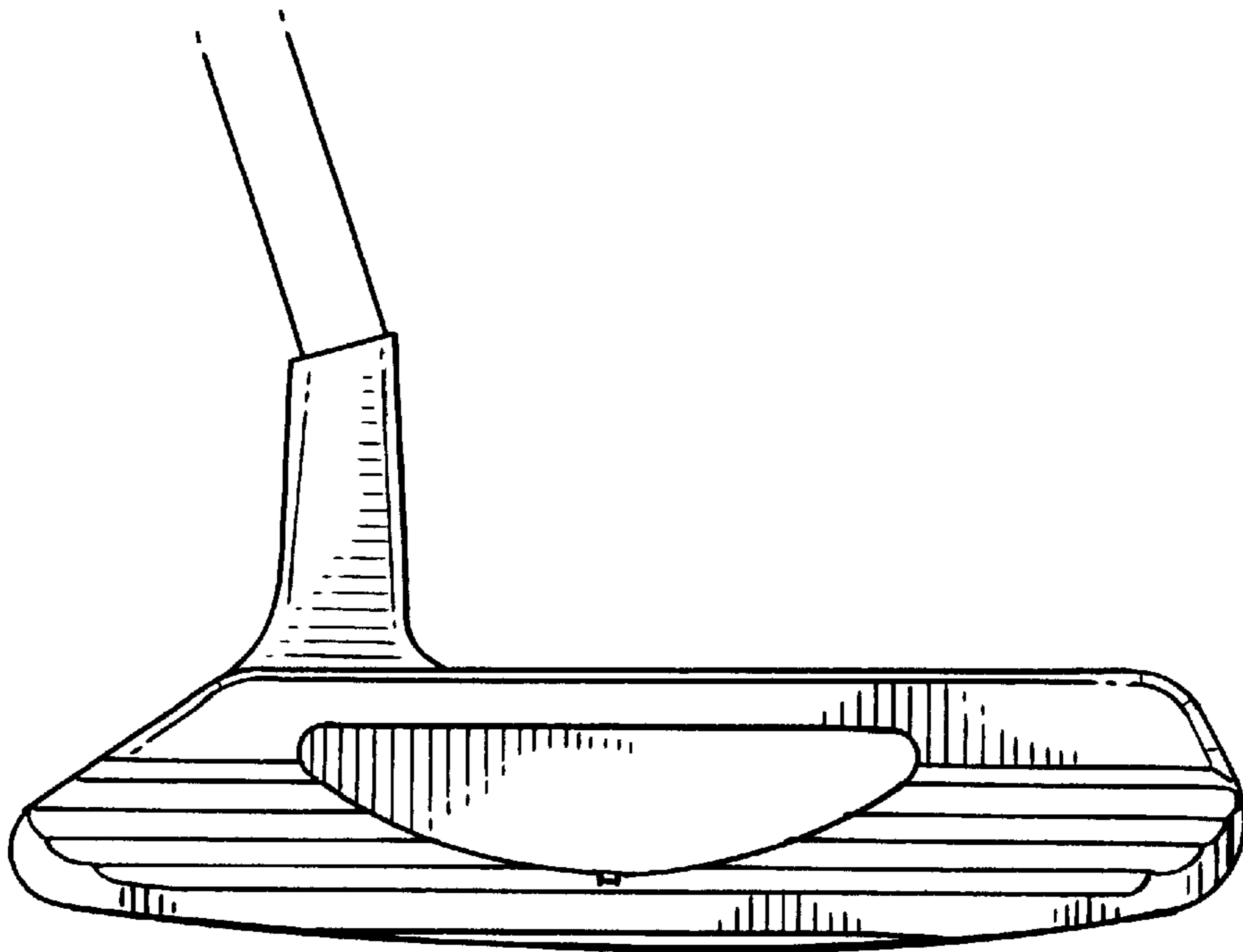


FIG. 4.

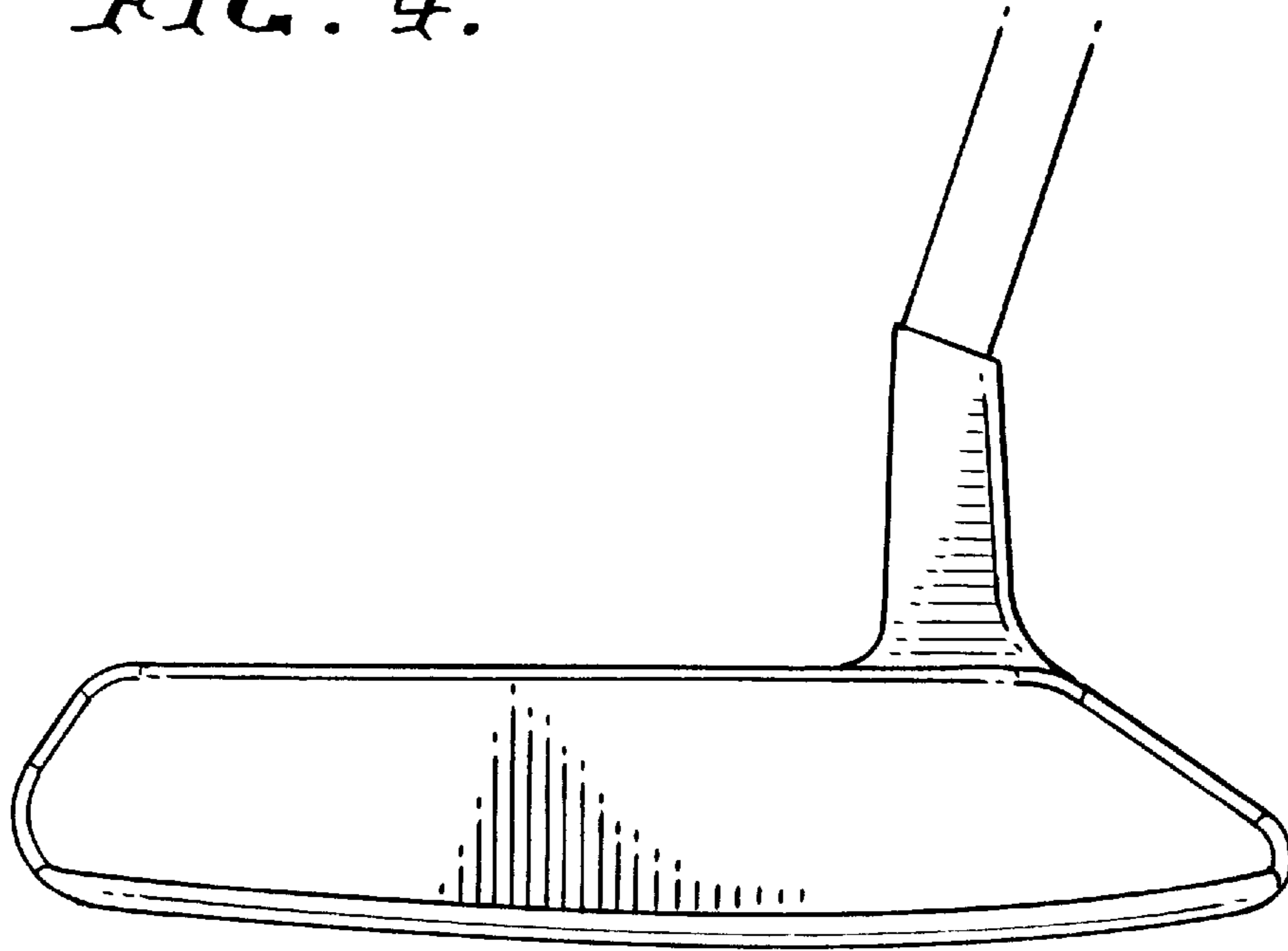


FIG. 5.

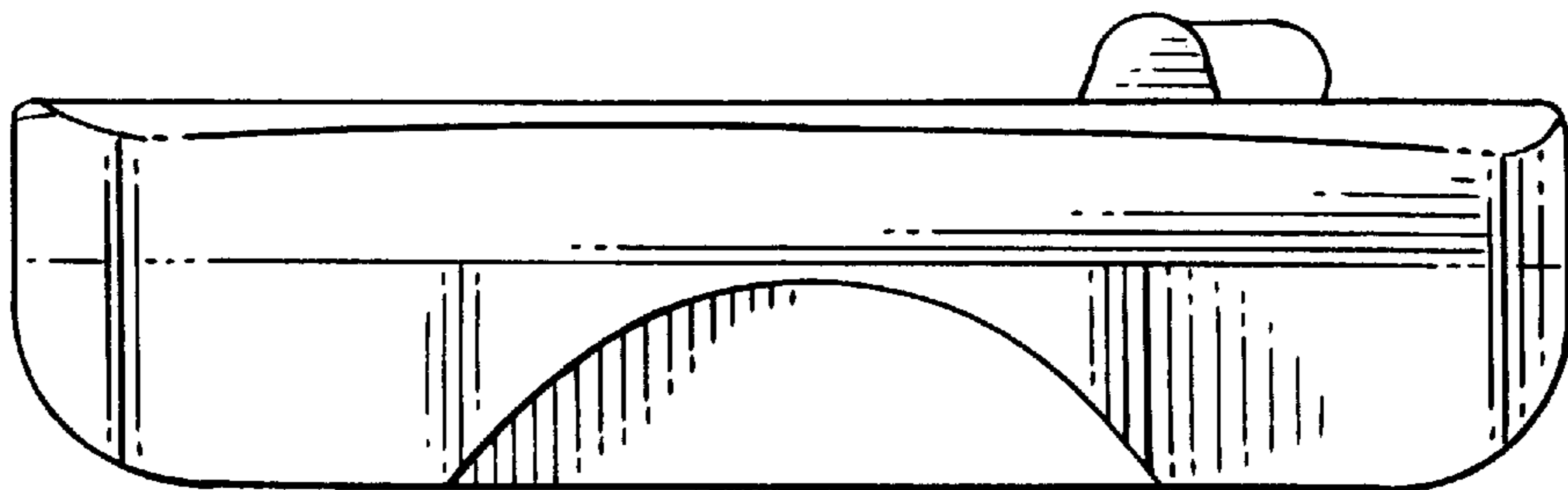


FIG. 6.

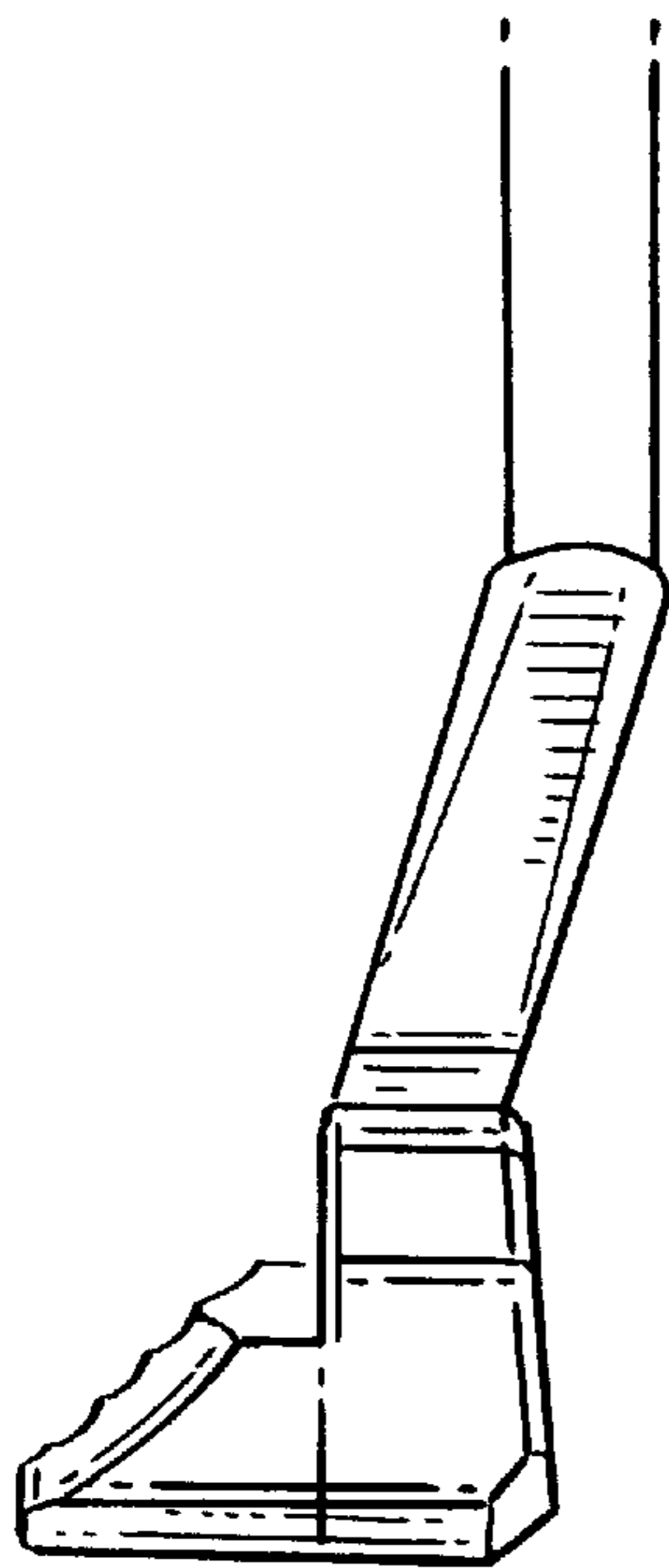


FIG. 7.

