



US00D401649S

United States Patent [19]
Bellehumeur

[11] **Patent Number: Des. 401,649**
[45] **Date of Patent: **Nov. 24, 1998**

[54] **NON-ICE HOCKEY PUCK**

DESCRIPTION

[76] Inventor: **Alex R. Bellehumeur**, 6242 Napoli Ct., Long Beach, Calif. 90802

FIG. 1 is a perspective view showing the top and front side of the non-ice hockey puck showing my new design;

[**] Term: **14 Years**

FIG. 2 is a top view thereof;

[21] Appl. No.: **82,296**

FIG. 3 is a right side view thereof, the left side view being identical;

[22] Filed: **Jan. 20, 1998**

FIG. 4 is a front side view thereof, the rear side view being identical;

[51] **LOC (6) Cl.** **21-02**

FIG. 5 is a cross-sectional view taken along line 5—5 of FIG. 2;

[52] **U.S. Cl.** **D21/710**

[58] **Field of Search** D21/203; 473/588, 473/132

FIG. 6 is a cross-sectional view taken along line 6—6 of FIG. 2;

[56] **References Cited**

U.S. PATENT DOCUMENTS

D. 361,610	8/1995	Malki	D21/203
5,184,820	2/1993	Keating et al.	473/588
5,288,072	2/1994	Hsieh	473/588
5,346,214	9/1994	Bruhm	473/588
5,482,274	1/1996	Bellehumeur	473/588
5,697,858	12/1997	Lekavich	473/588

FIG. 7 is a perspective view showing the top and front side of an alternate embodiment of the non-ice hockey puck of the present invention;

FIG. 8 is a top view of the puck of FIG. 7;

Primary Examiner—Ted Shooman
Assistant Examiner—Richelle Shelton
Attorney, Agent, or Firm—Edgar W. Averill, Jr.

FIG. 9 is a right side view thereof, the left side view being identical;

FIG. 10 is a front side view thereof, the rear side view being identical;

[57] **CLAIM**

The ornamental design for a non-ice hockey puck, as shown and described.

FIG. 11 is a cross-sectional view taken along line 11—11 of FIG. 8; and,

FIG. 12 is a cross-sectional view taken along line 12—12 of FIG. 8.

1 Claim, 3 Drawing Sheets

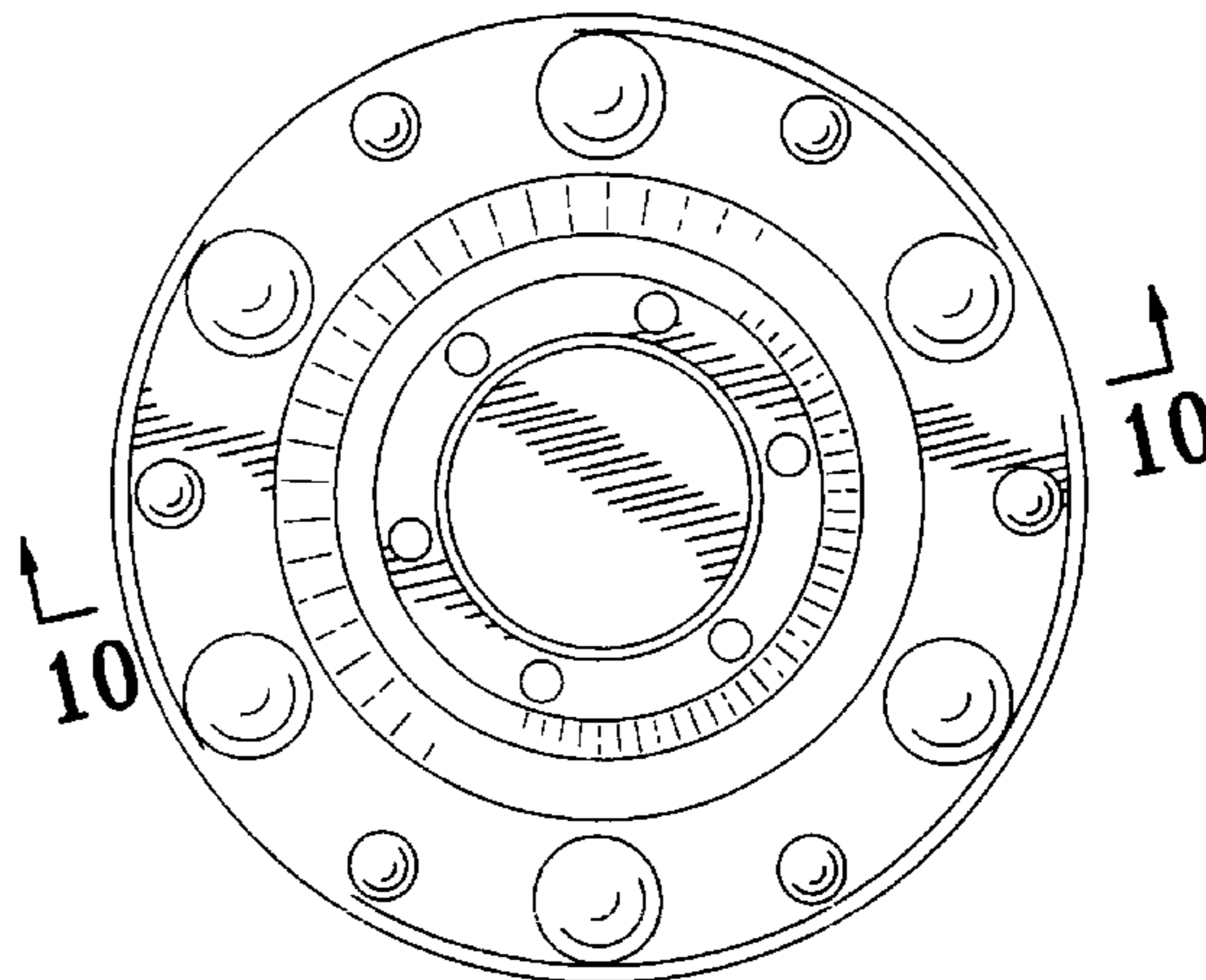
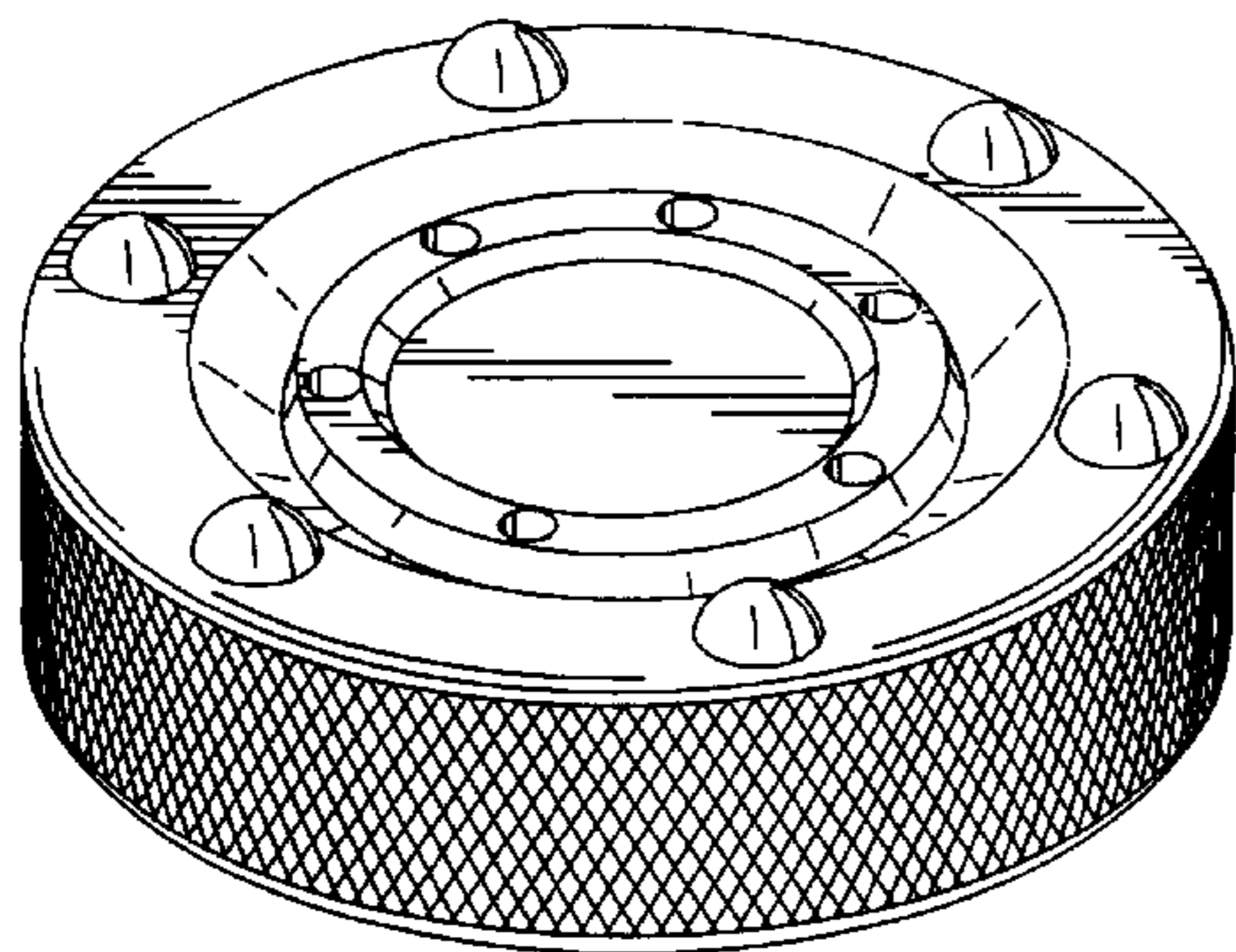


FIG. 5

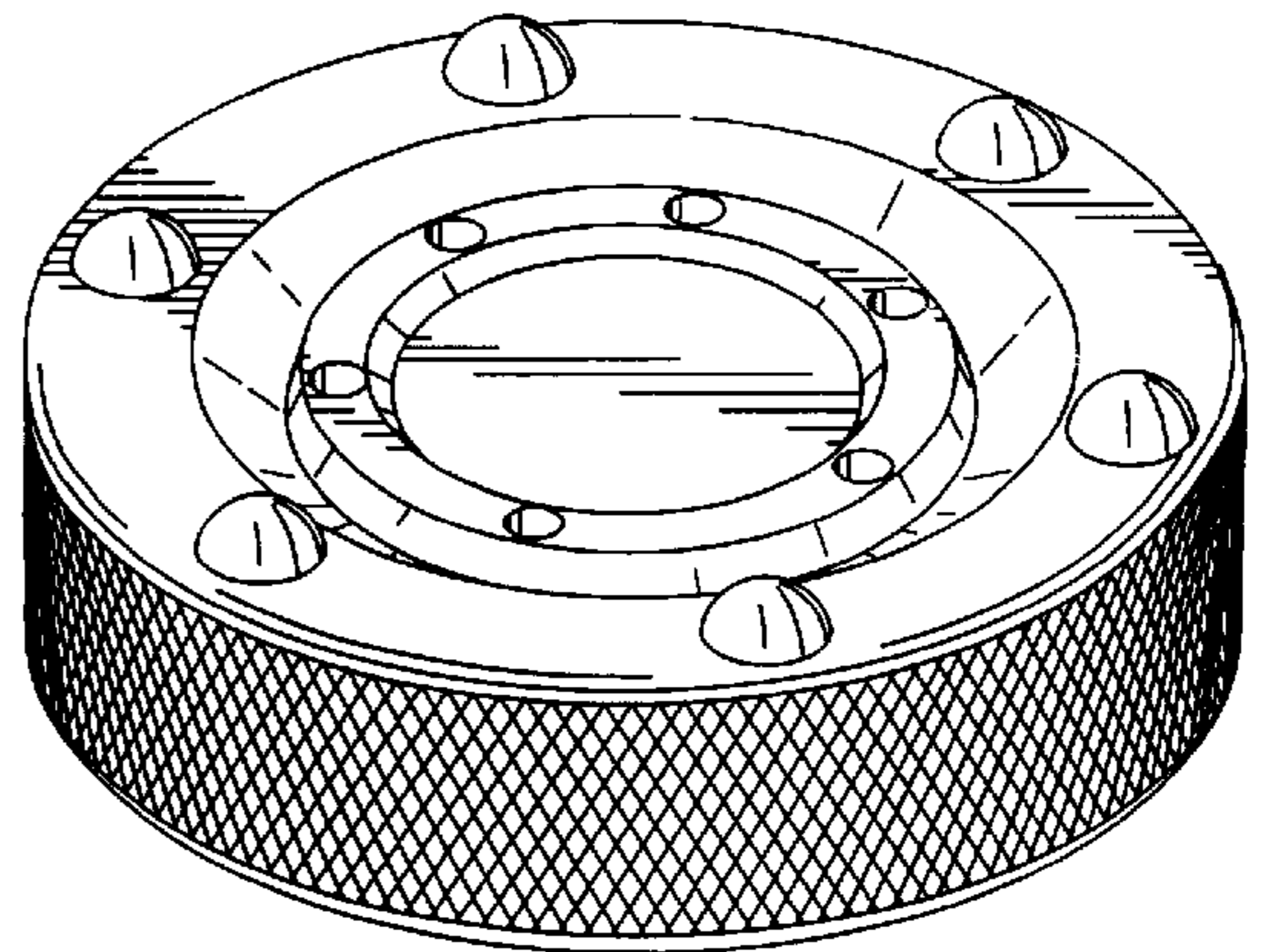
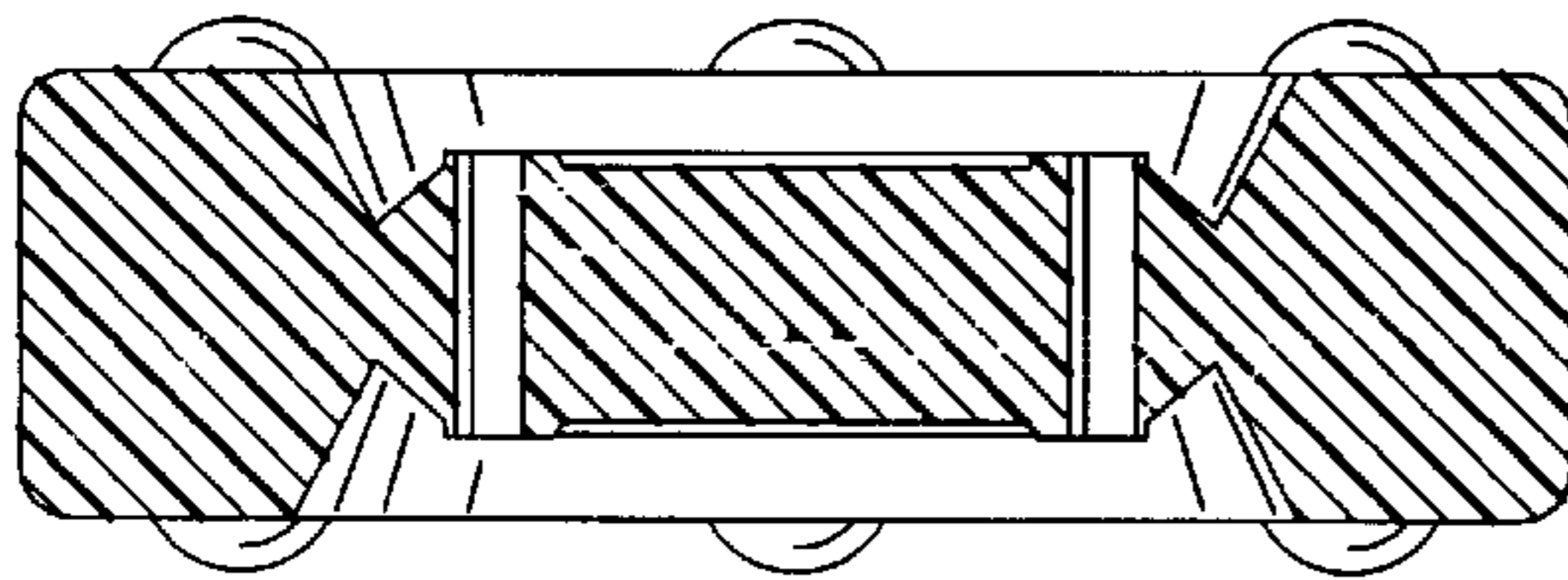


FIG. 1

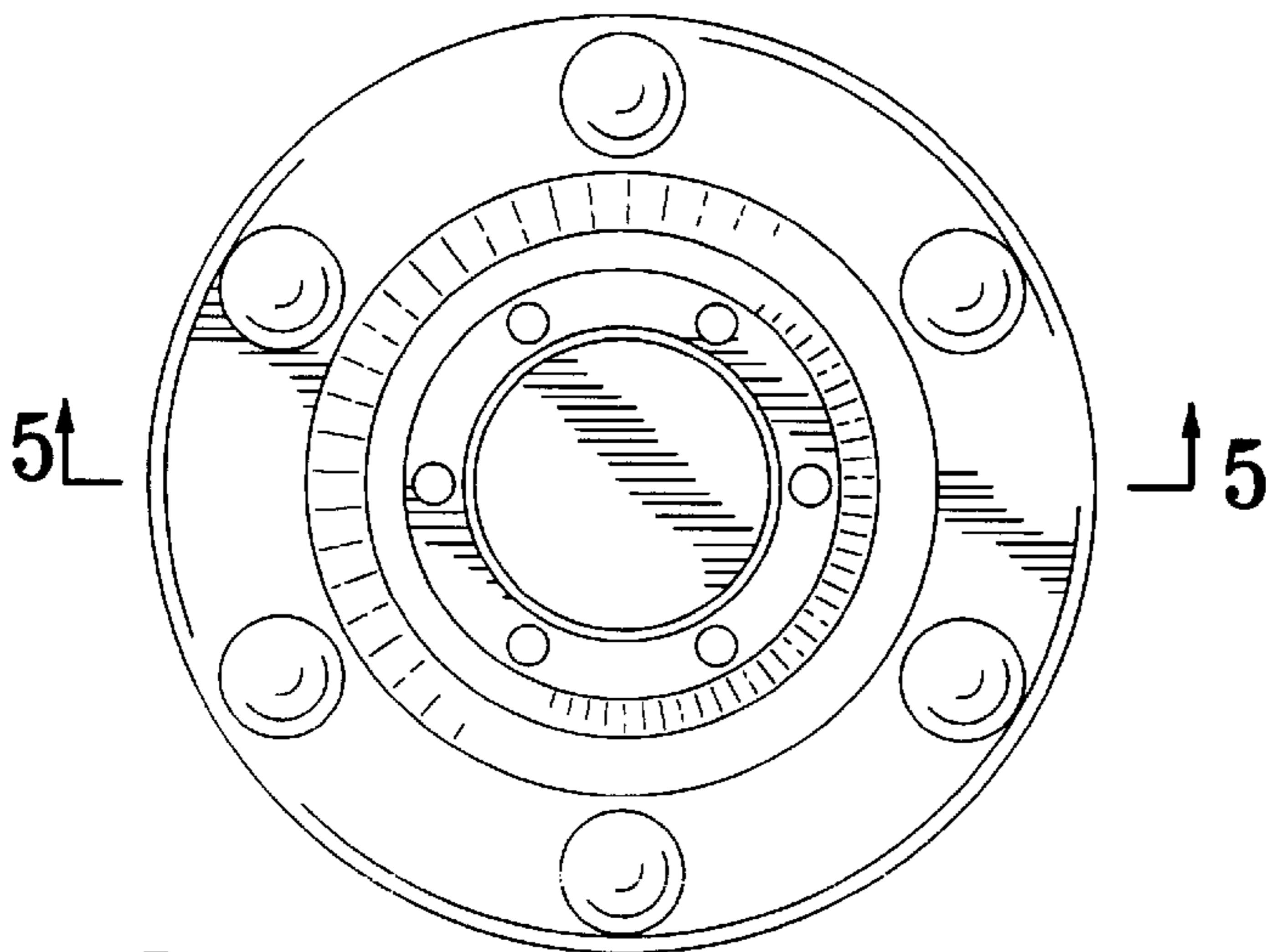


FIG. 2

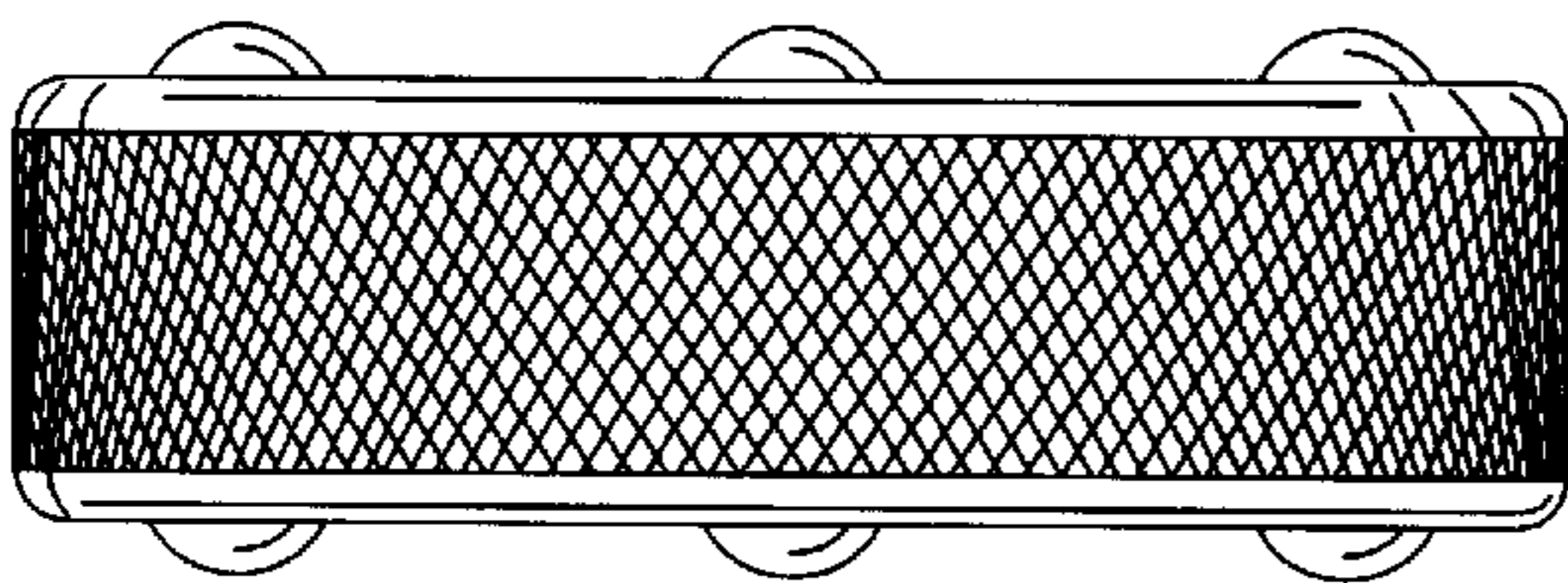


FIG. 4

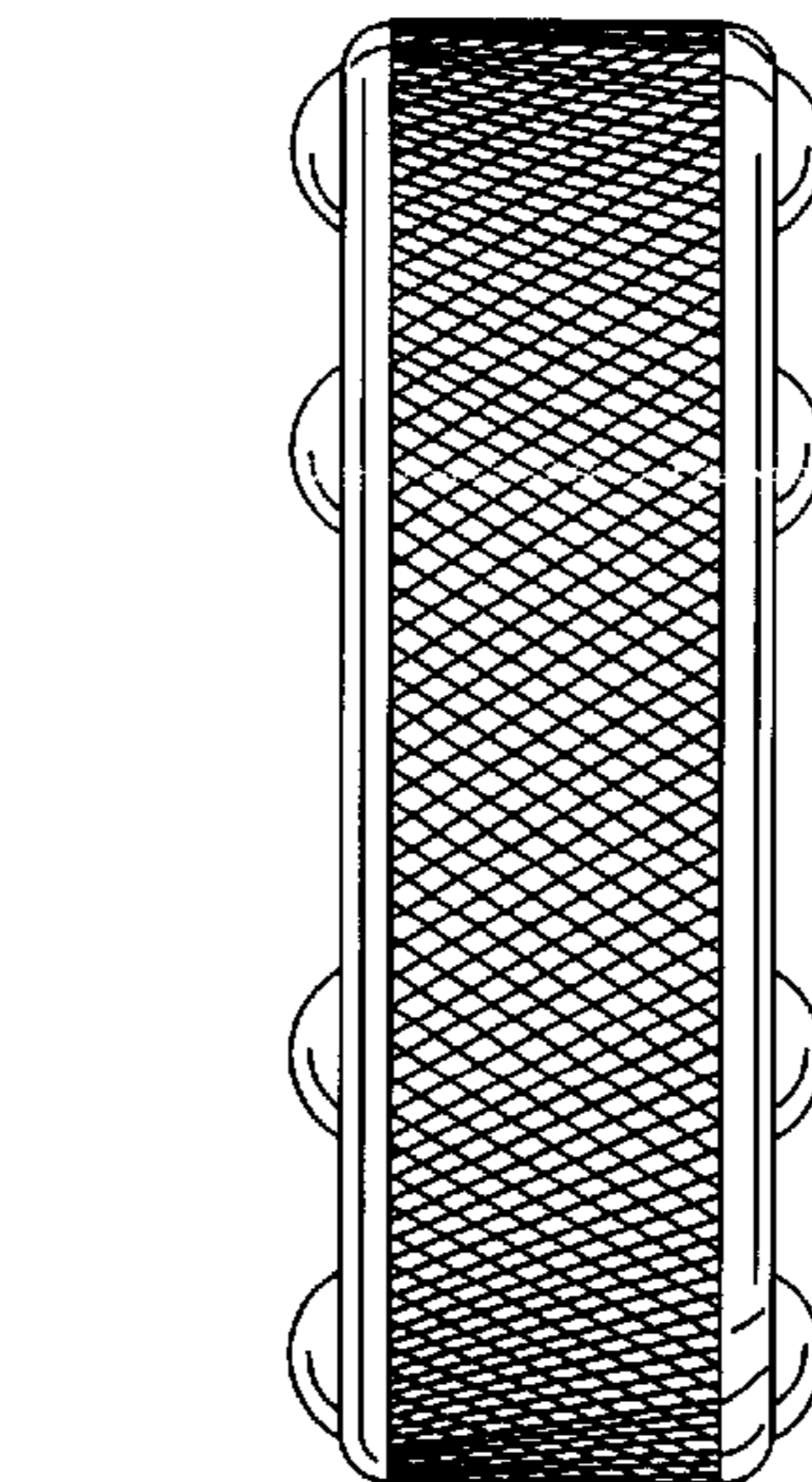


FIG. 3

FIG. 10

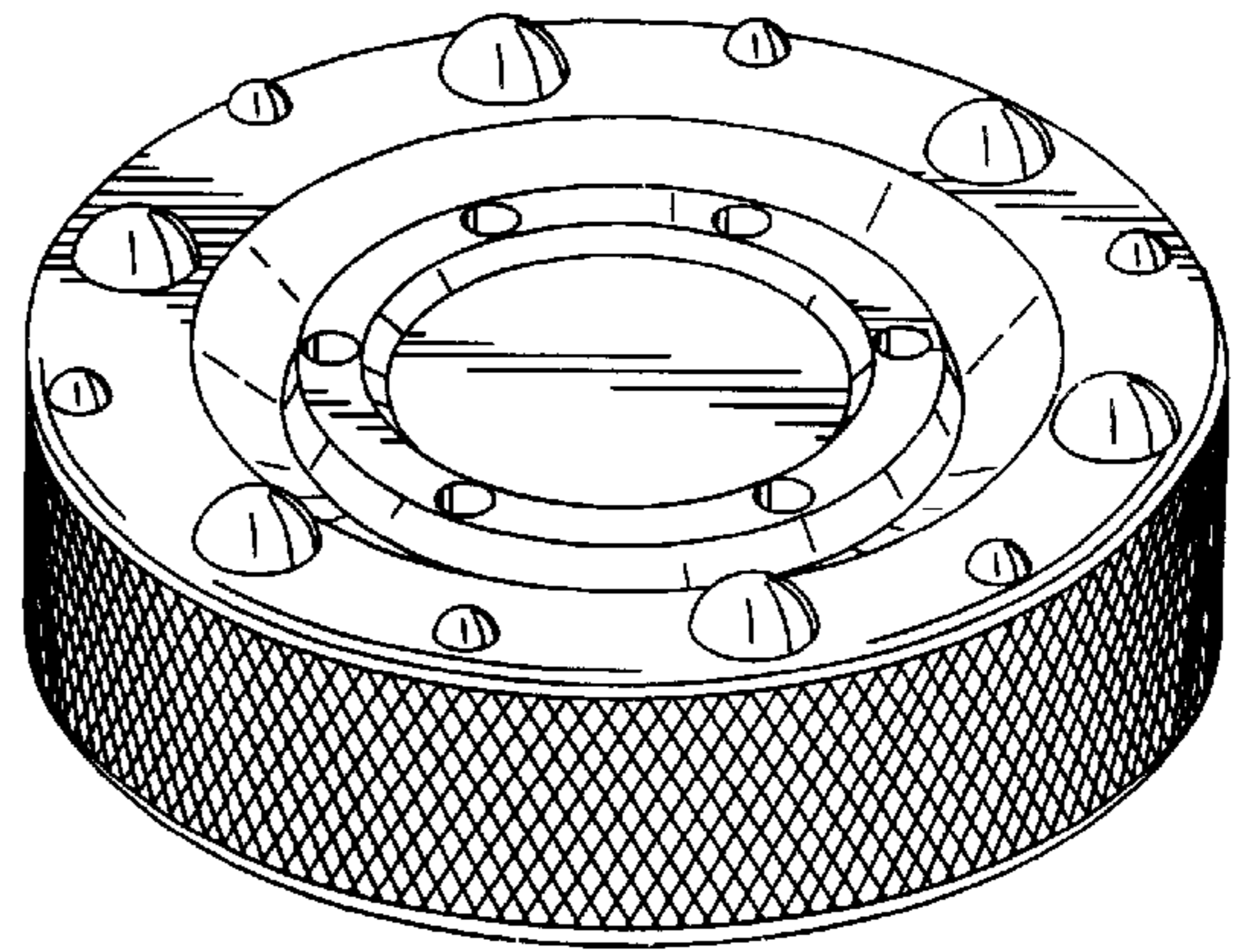
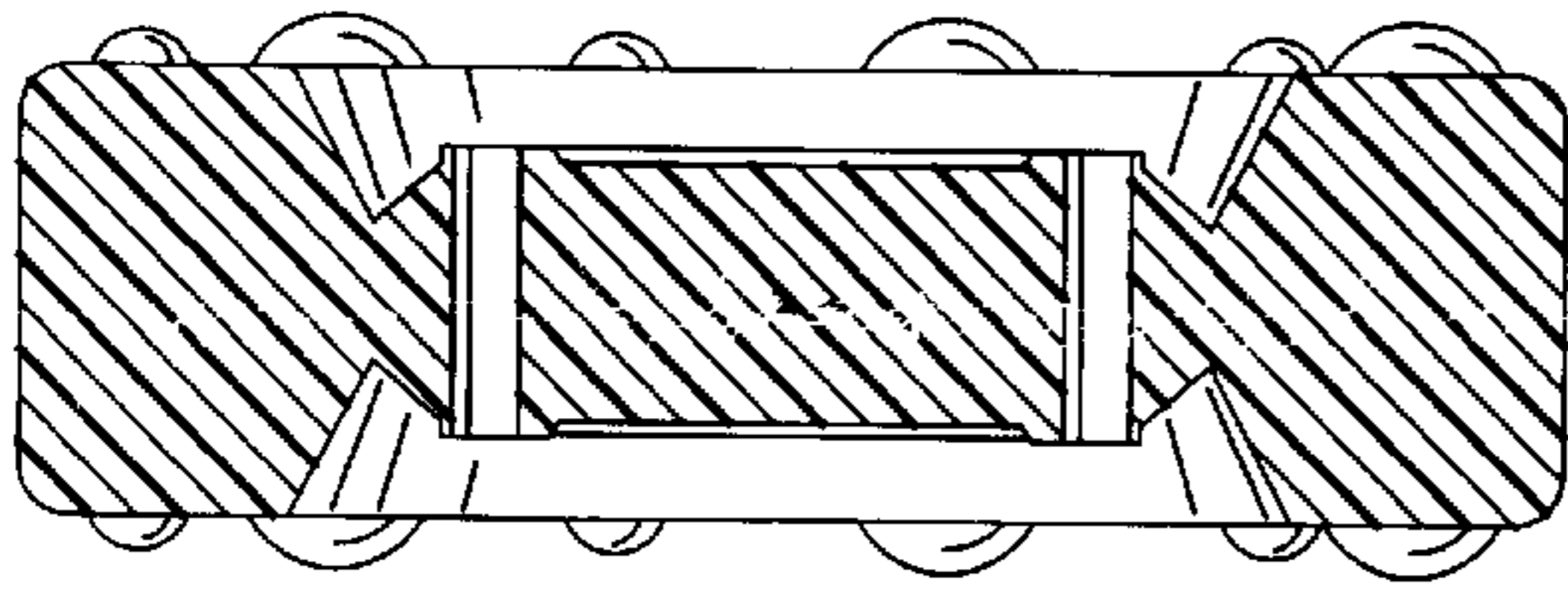


FIG. 6

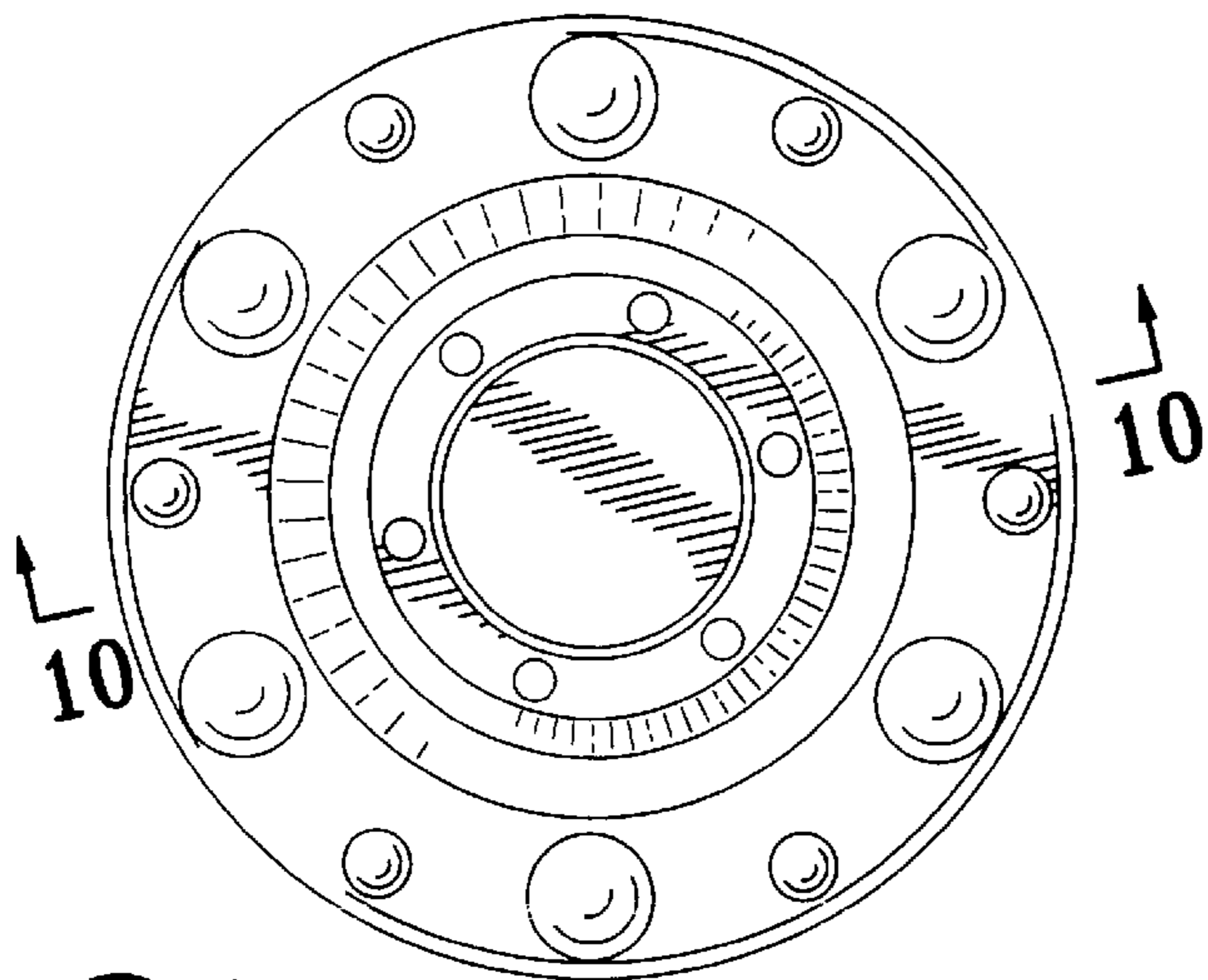


FIG. 7

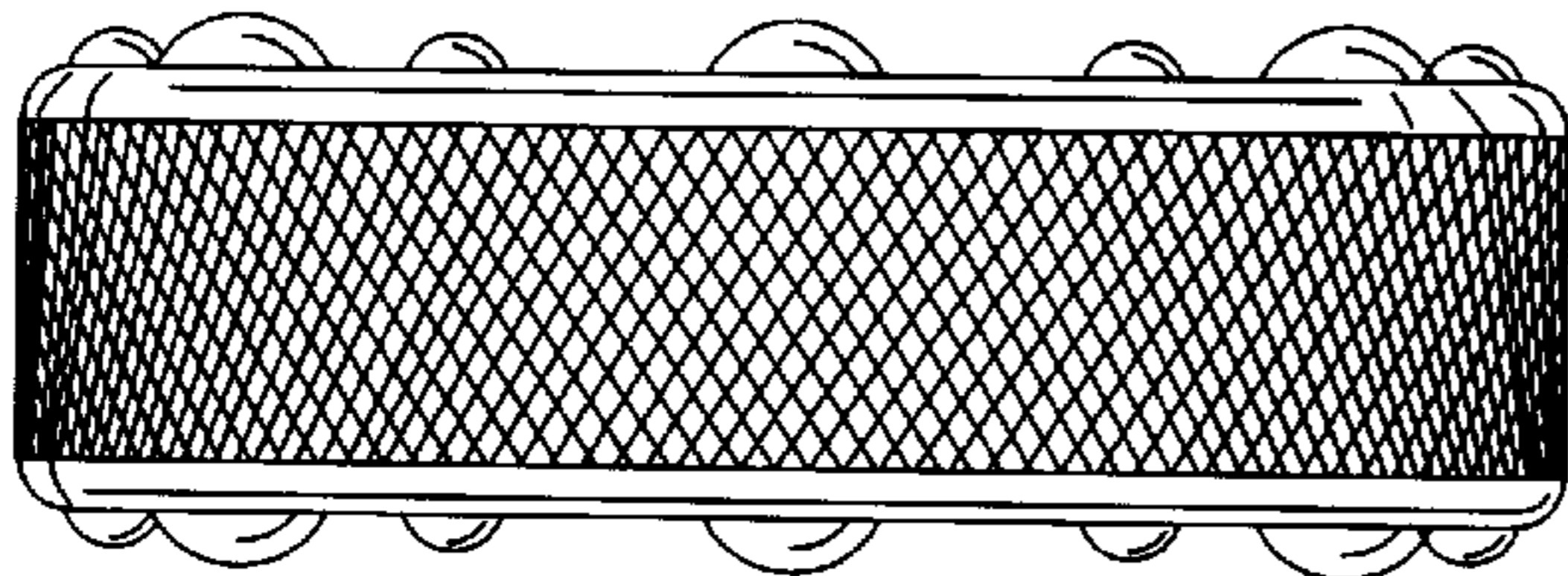


FIG. 9

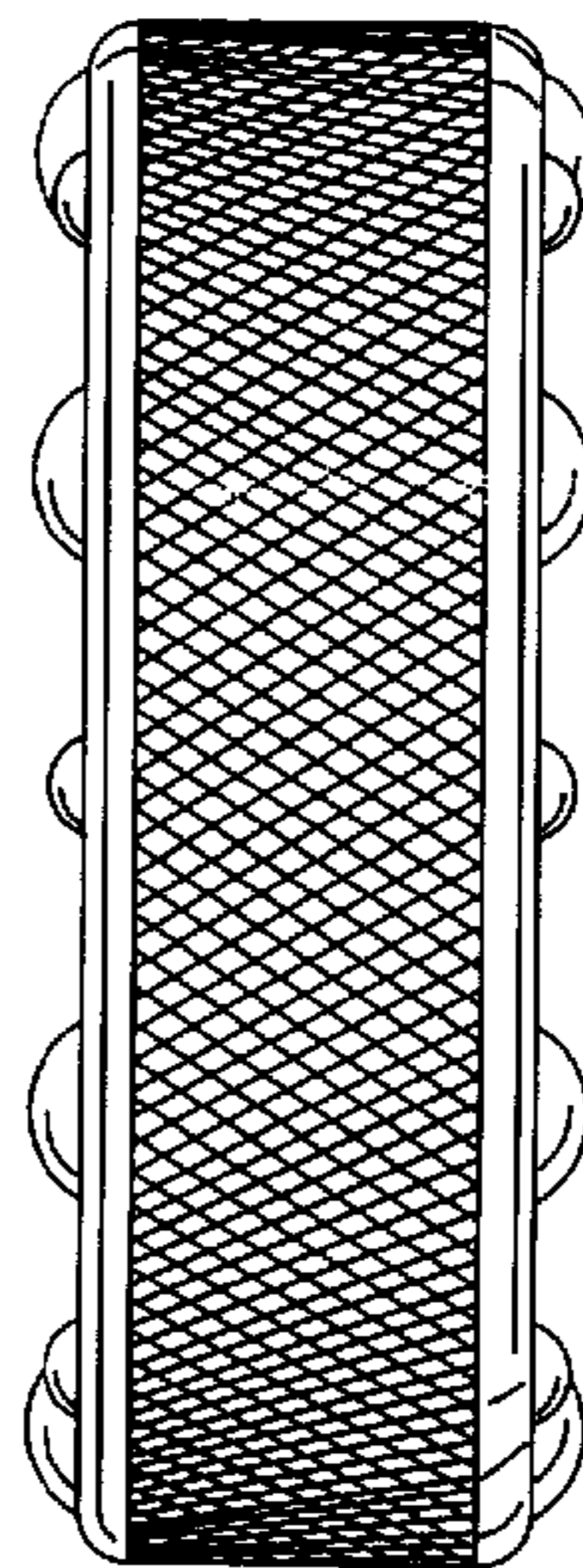


FIG. 8

FIG. 12

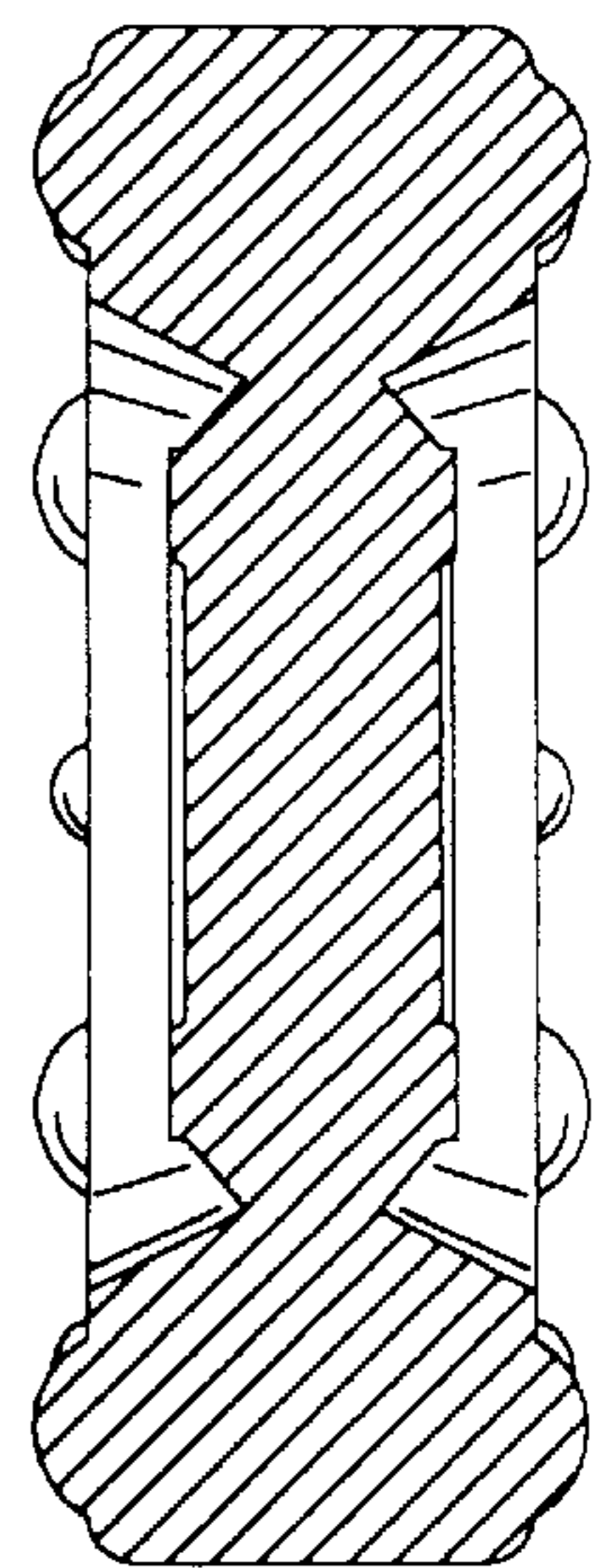
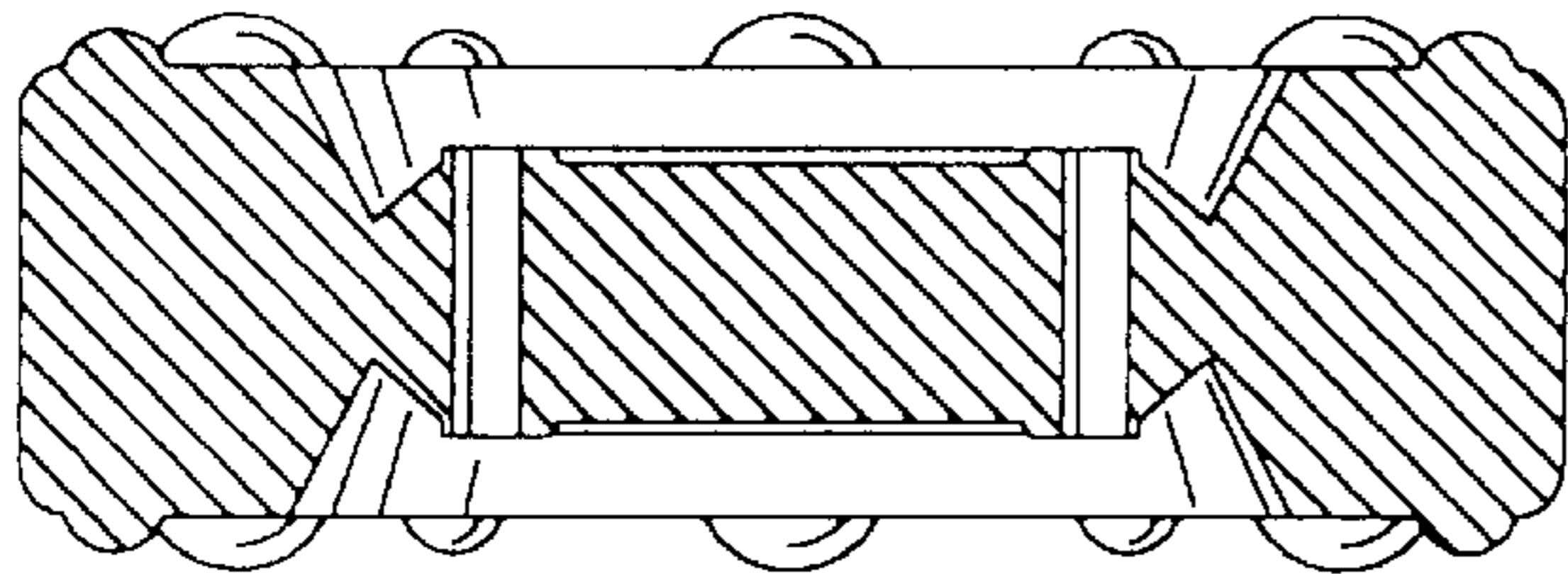


FIG. 11