



US00D401645S

# United States Patent [19] Kuo

[11] Patent Number: Des. 401,645

[45] Date of Patent: \*\*Nov. 24, 1998

[54] EXERCISER

5,562,574 10/1996 Miller ..... 482/51  
5,692,994 12/1997 Eschenbach ..... 482/57

[76] Inventor: Johnson Kuo, 6F., No. 6, Lane 12, Sec. 6, Hsin I Rd., Taipei, Taiwan

Primary Examiner—Philip S. Hyder  
Attorney, Agent, or Firm—Varndell Legal Group

[\*\*] Term: 14 Years

[57] CLAIM

[21] Appl. No.: 79,527

The ornamental design for an exerciser, as shown and described.

[22] Filed: Nov. 19, 1997

### DESCRIPTION

[51] LOC (6) Cl. .... 21-02

[52] U.S. Cl. .... D21/668

[58] Field of Search ..... D21/191, 192,  
D21/194, 195; 482/70, 71, 72, 51, 52, 53

FIG. 1 is a perspective view of an exerciser showing my new design;

FIG. 2 is a front elevational view thereof;

FIG. 3 is a rear elevational view thereof;

FIG. 4 is a top plan view thereof;

FIG. 5 is a bottom plan view thereof;

FIG. 6 is a left side elevational view thereof; and,

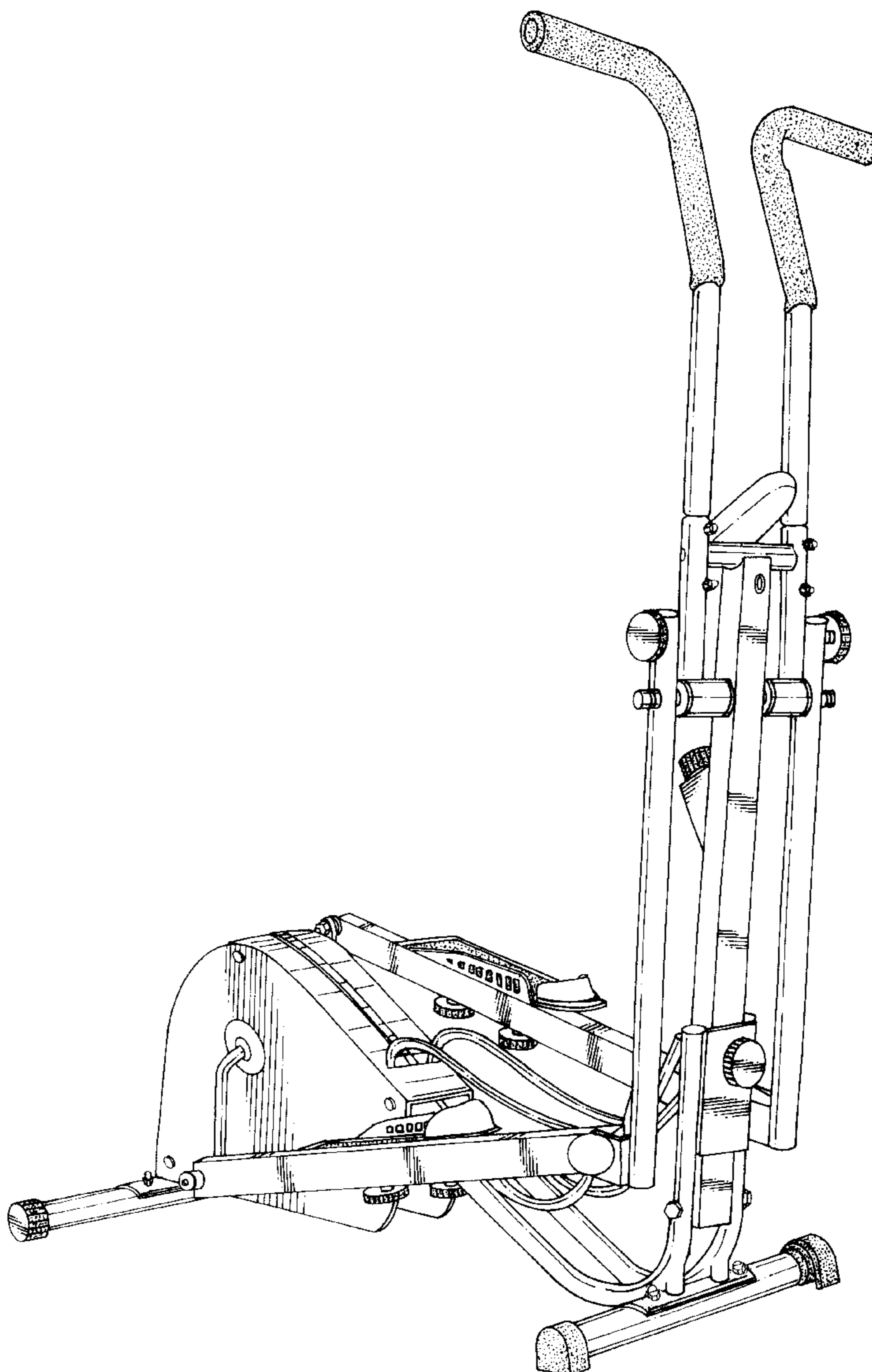
FIG. 7 is a right side elevational view thereof.

### [56] References Cited

#### U.S. PATENT DOCUMENTS

D. 343,214 1/1994 Easley et al. .... D21/191  
D. 372,282 7/1996 Pasero et al. .... D21/191  
5,549,526 8/1996 Rodgers, Jr. .... 482/51

1 Claim, 7 Drawing Sheets



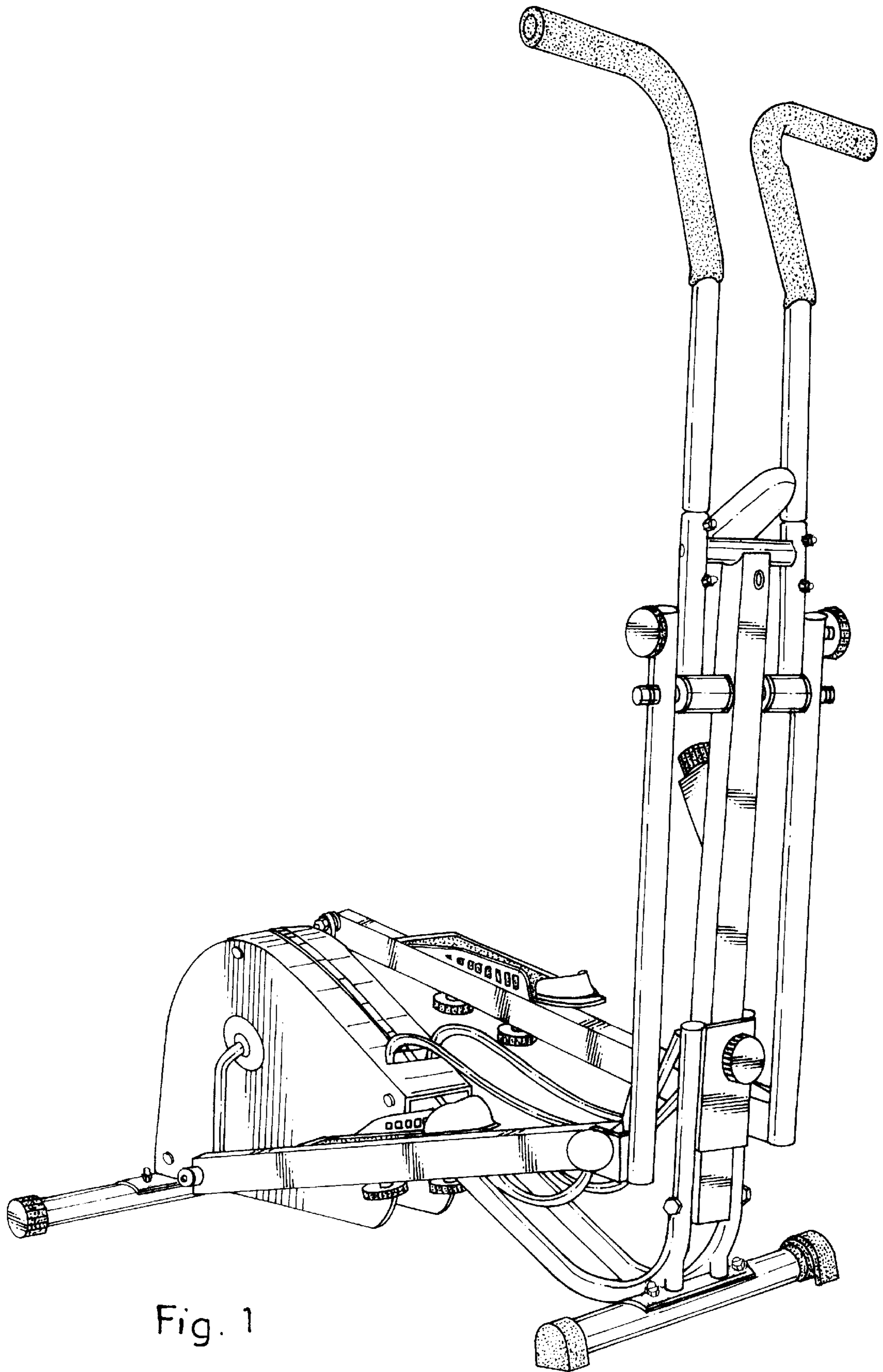


Fig. 1

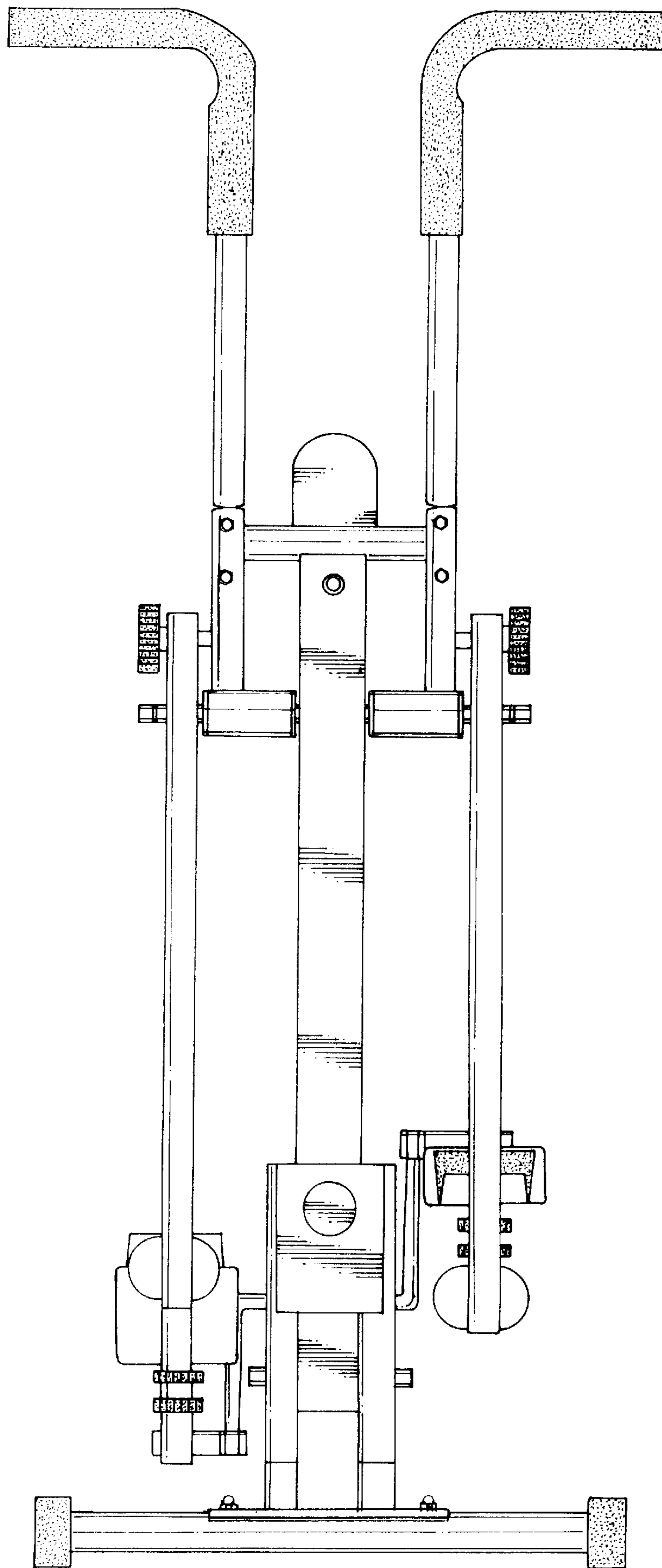


Fig. 2

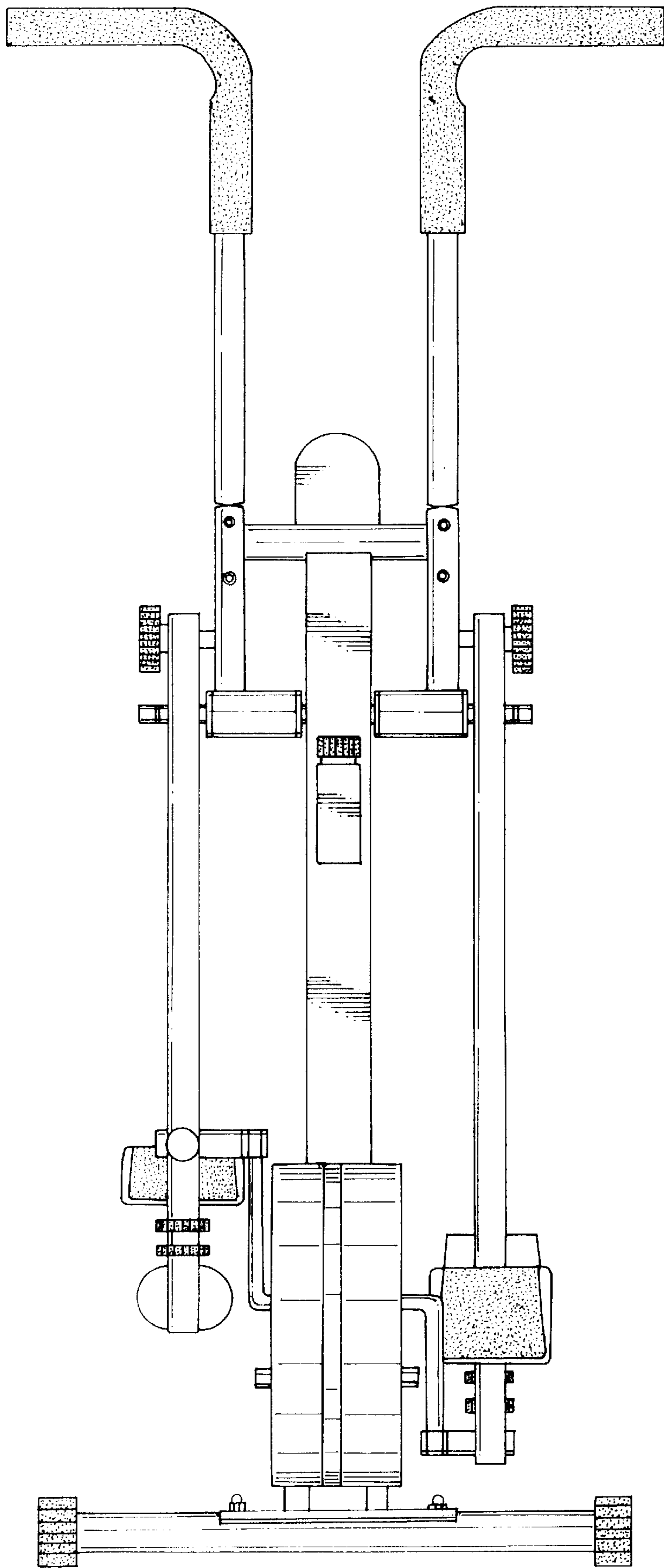


Fig. 3

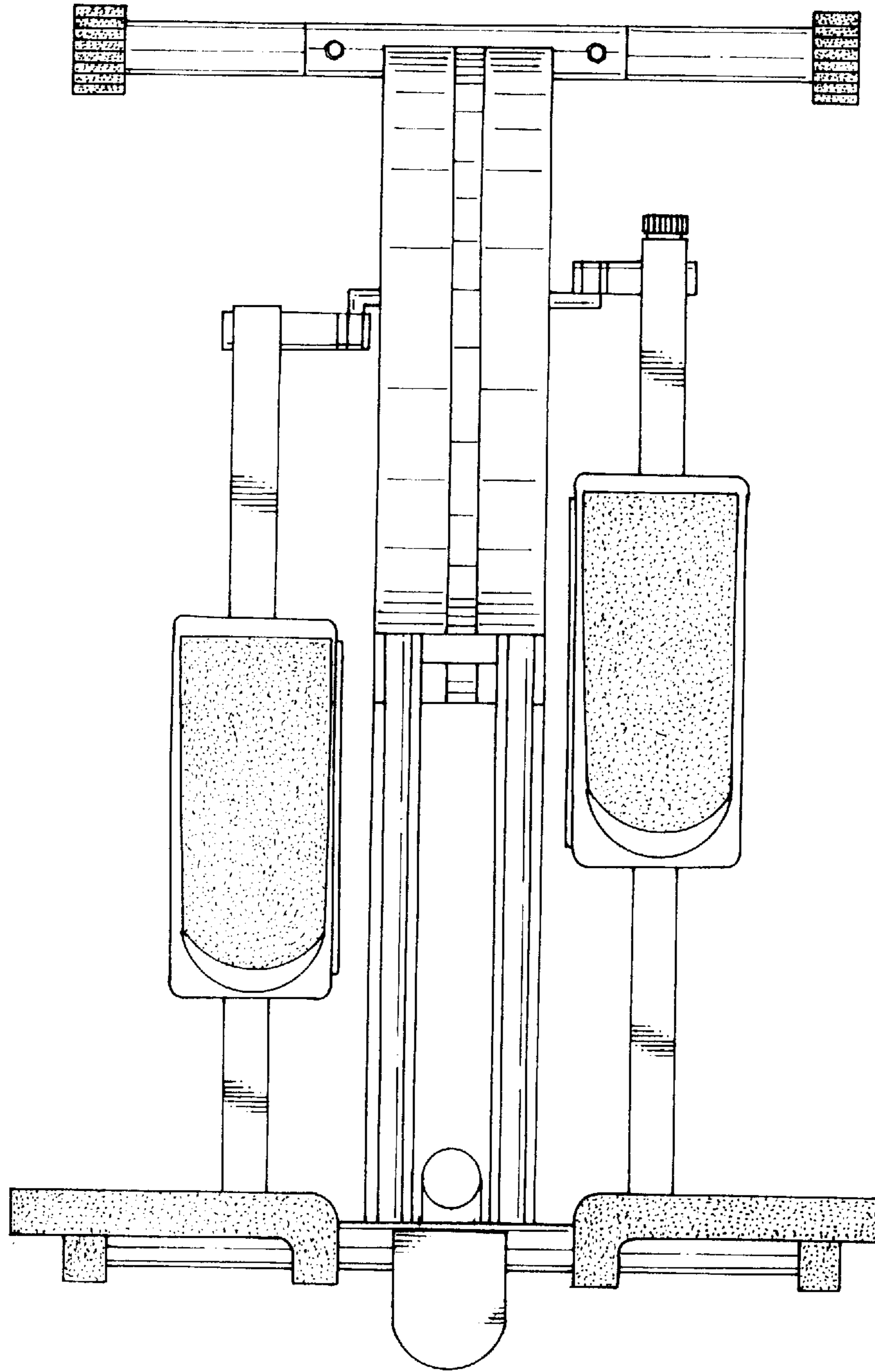


Fig. 4

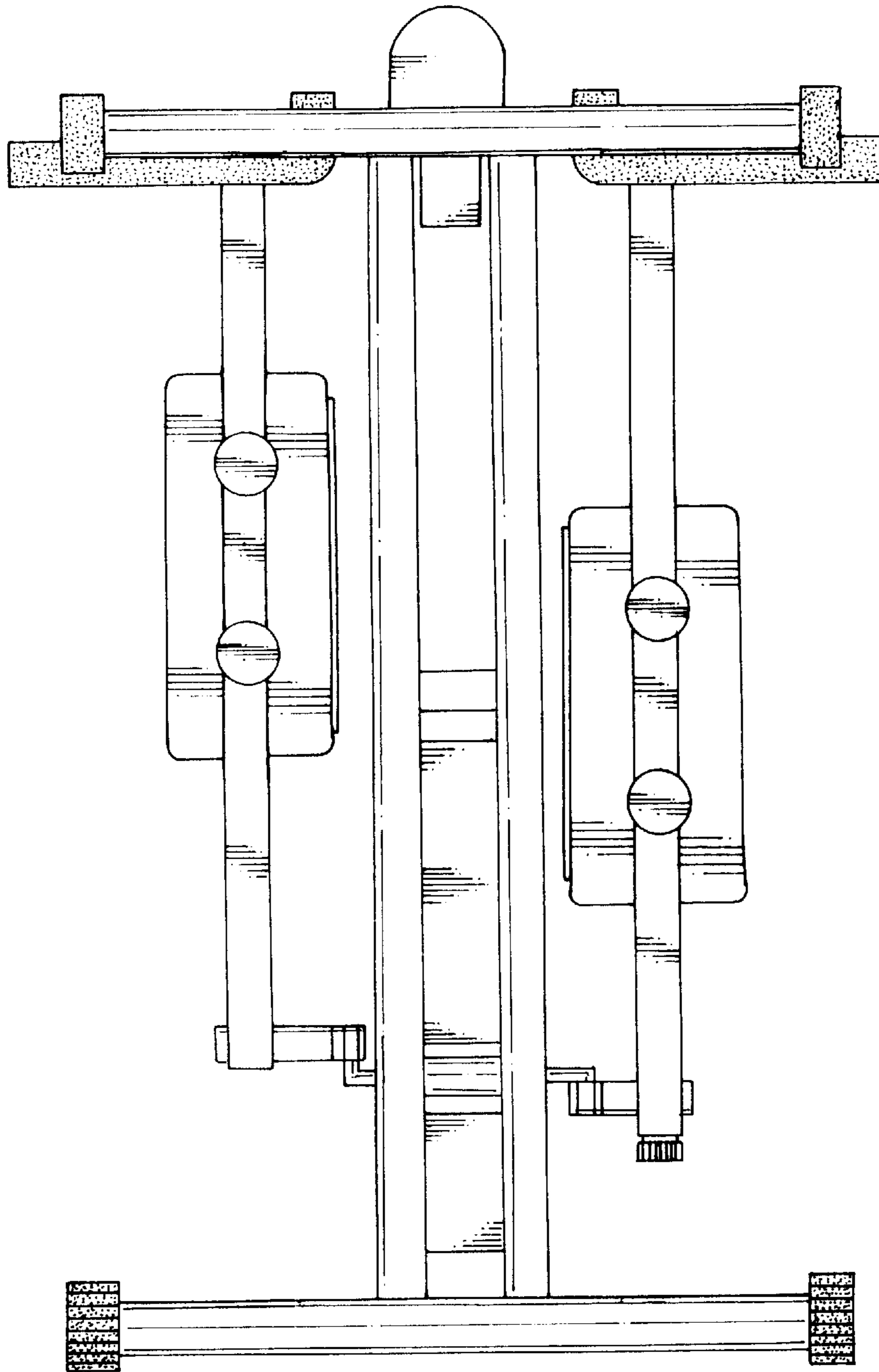


Fig. 5

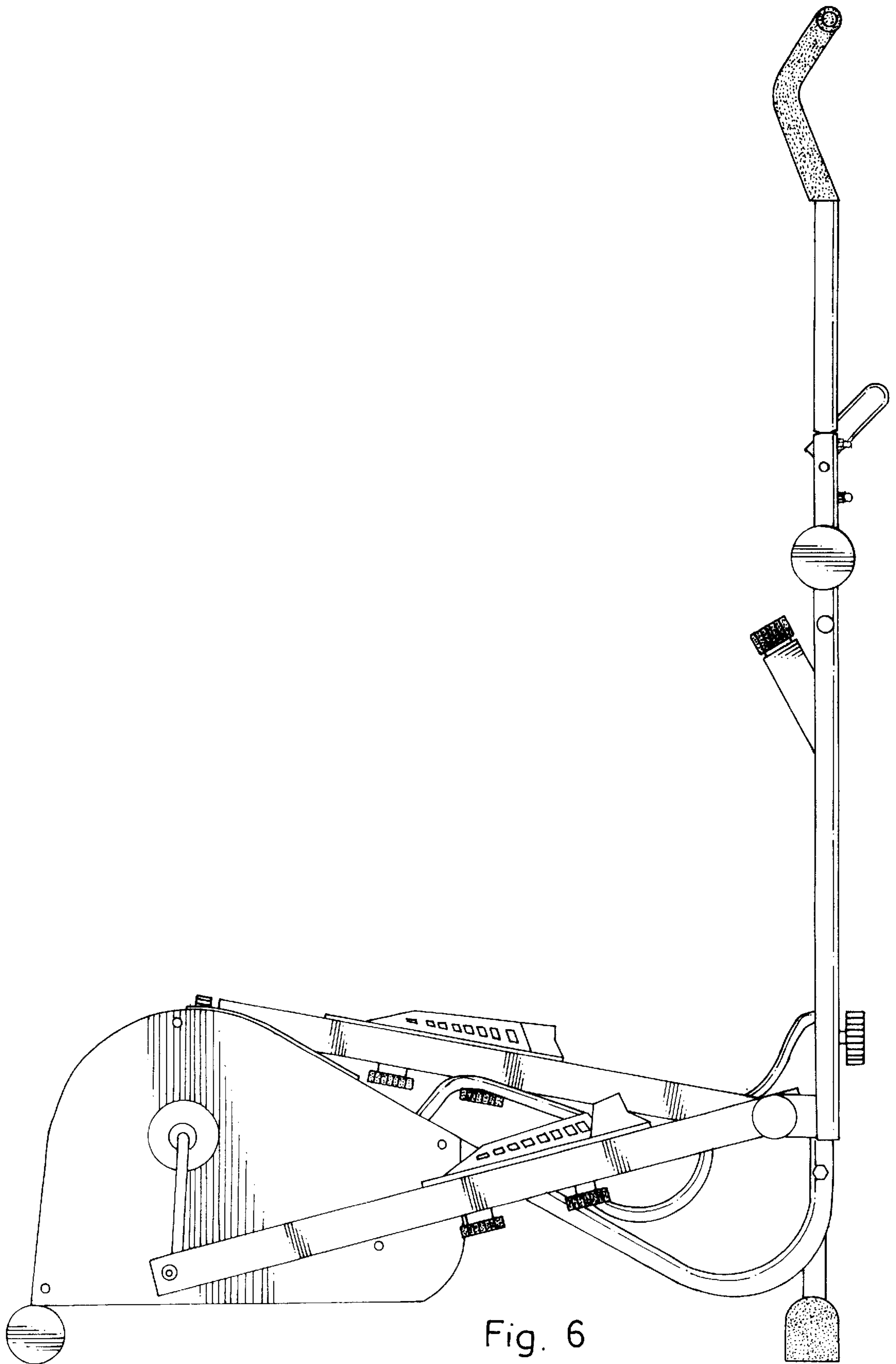


Fig. 6

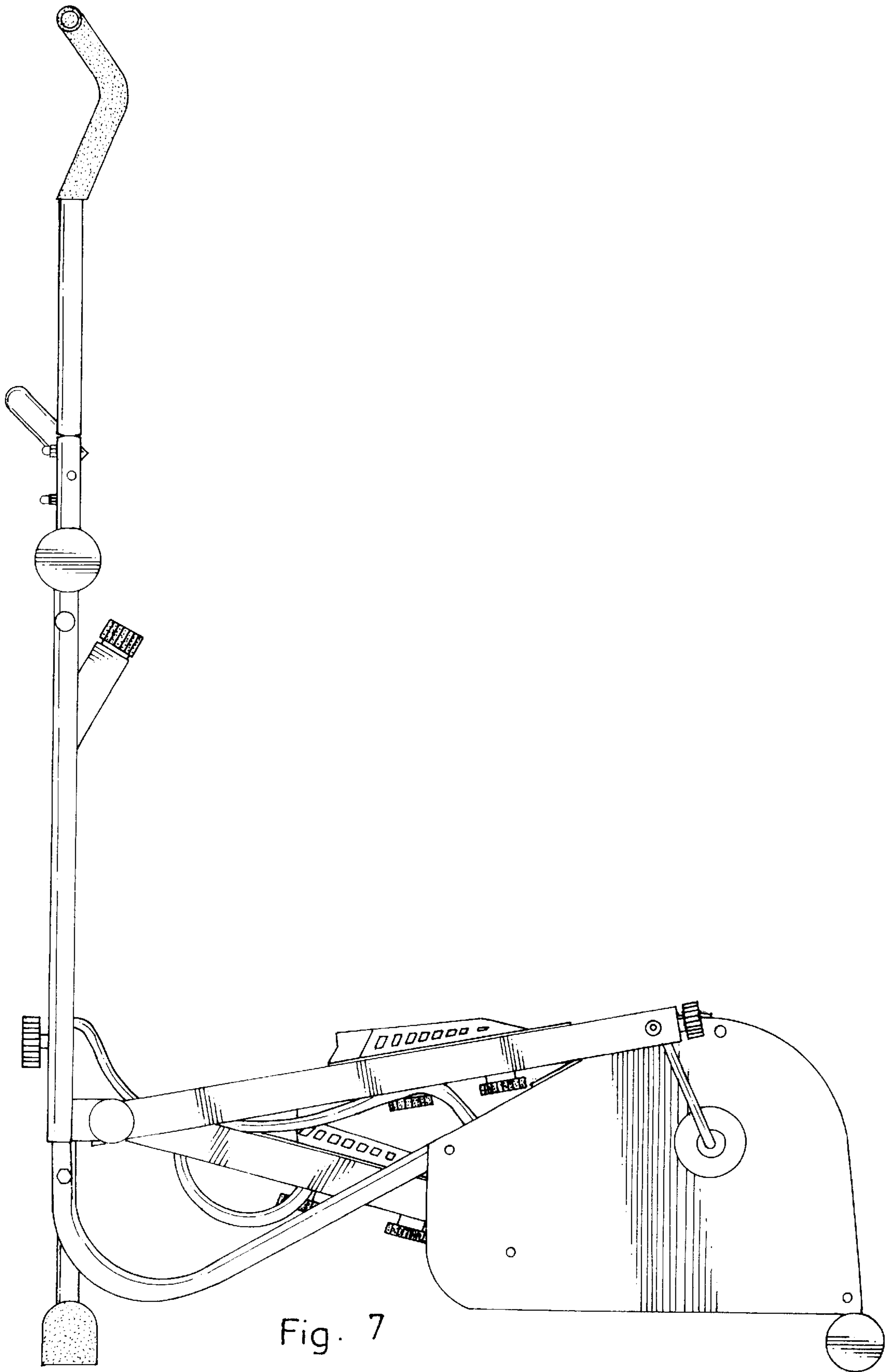


Fig. 7