



US00D401644S

United States Patent [19] Chen

[11] **Patent Number: Des. 401,644**

[45] **Date of Patent: **Nov. 24, 1998**

[54] **PEDALING EXERCISER**

D. 344,775 3/1994 Lertyaovarit D21/194
D. 360,916 8/1995 Koga D21/194

[76] Inventor: **Tsai-Lie Chen**, No. 58, Chung Hsing N. St., San Chung City, Taipei Hsien, Taiwan

Primary Examiner—Philip S. Hyder
Attorney, Agent, or Firm—Peterson, Wicks, Nemer & Kamrath, P.A.; Alan Kamrath

[**] Term: **14 Years**

[57] **CLAIM**

[21] Appl. No.: **78,884**

The ornamental design for a pedaling exerciser, as shown.

[22] Filed: **Oct. 31, 1997**

DESCRIPTION

[51] **LOC (6) Cl.** **21-02**

[52] **U.S. Cl.** **D21/663**

[58] **Field of Search** D21/191, 192, D21/193, 194, 195; 482/51, 52, 53, 54

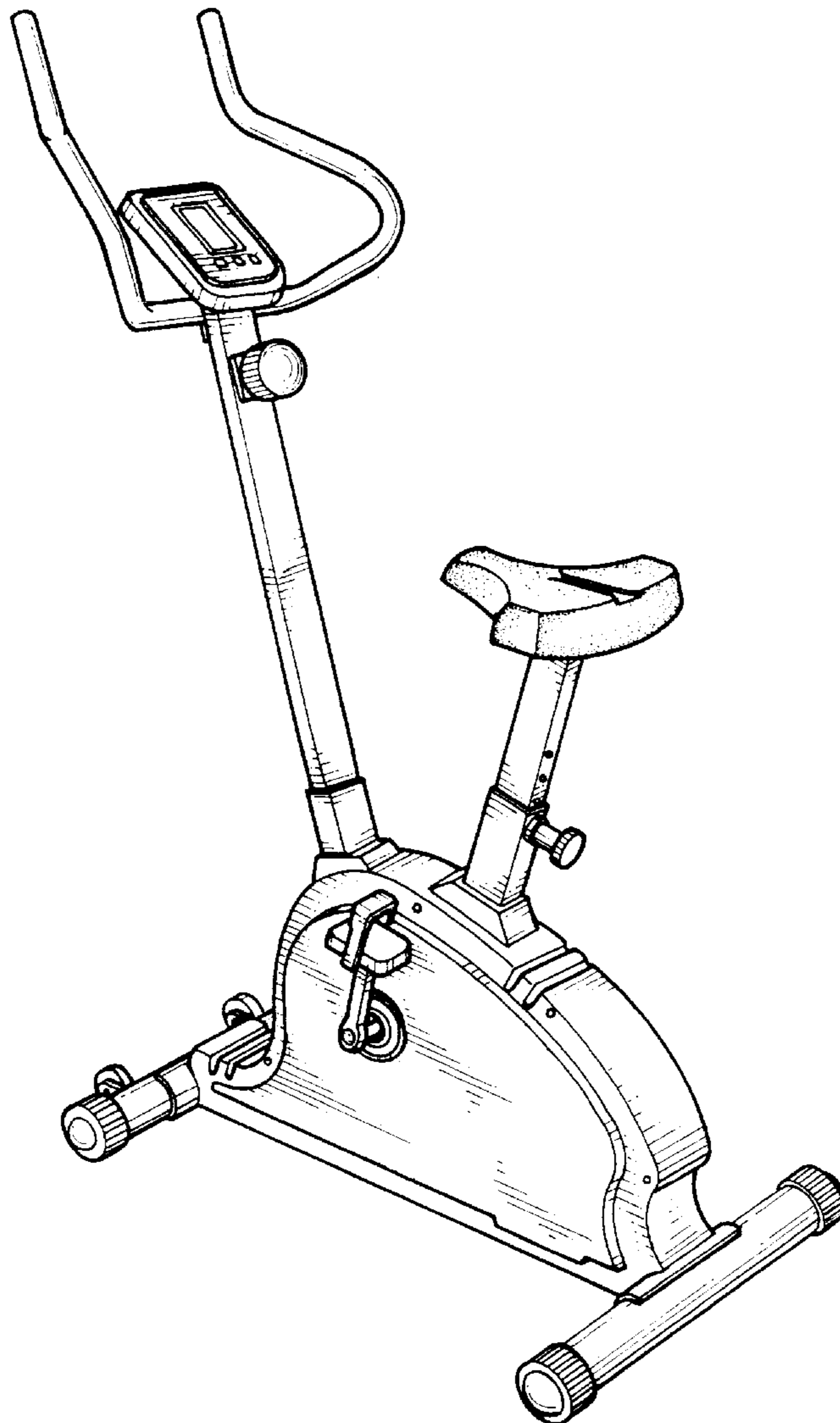
FIG. 1 is a rear, top and right perspective view of a pedaling exerciser showing my new design;
FIG. 2 is a front view thereof;
FIG. 3 is a left side elevational view thereof;
FIG. 4 is a right side elevational view thereof;
FIG. 5 is a top plan view thereof;
FIG. 6 is a bottom plan view thereof; and,
FIG. 7 is a rear view thereof.

[56] **References Cited**

U.S. PATENT DOCUMENTS

D. 301,729 6/1989 Capjon D21/194
D. 309,336 7/1990 Yang D21/194
D. 310,697 9/1990 Kagayama D21/194

1 Claim, 4 Drawing Sheets



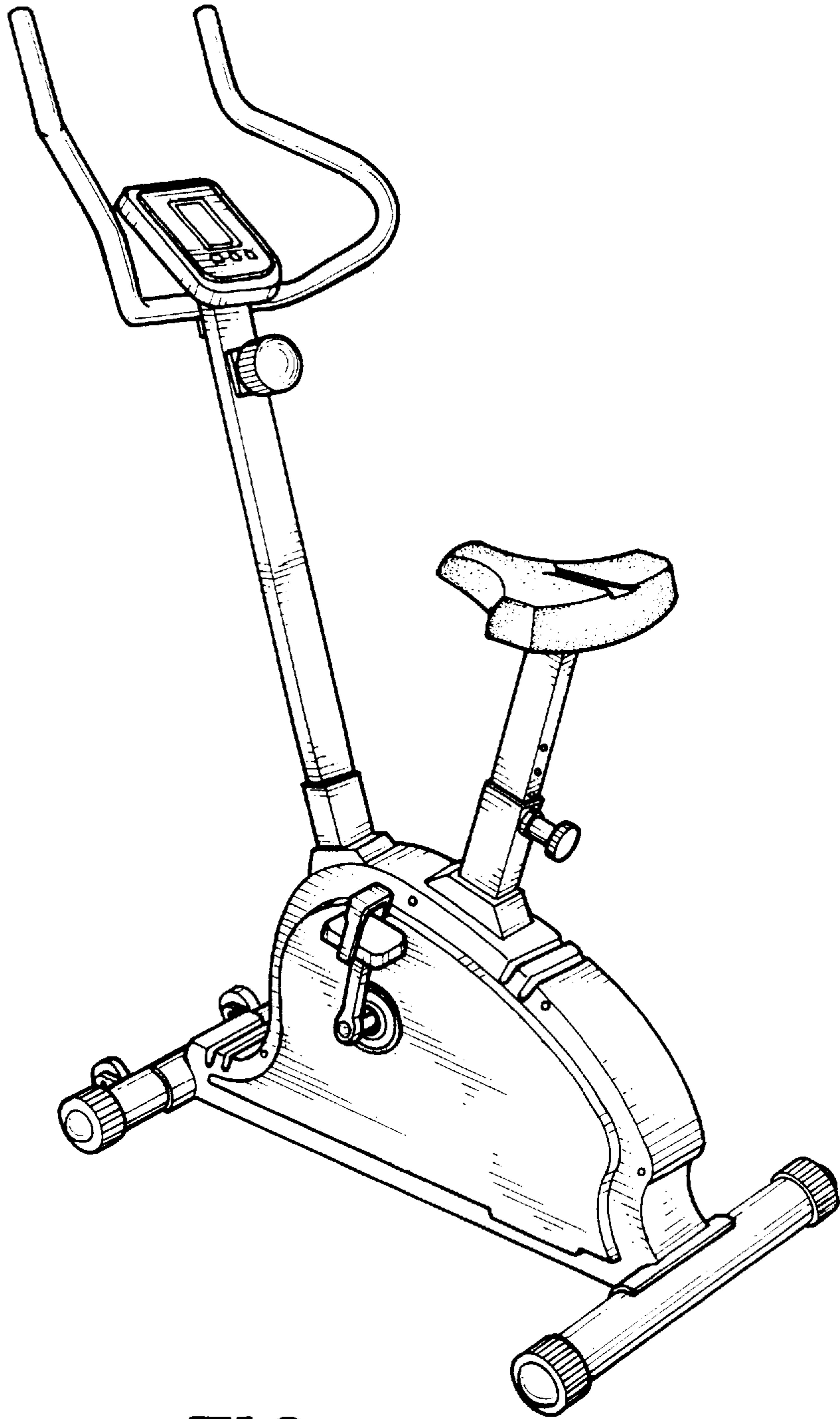


FIG. 1

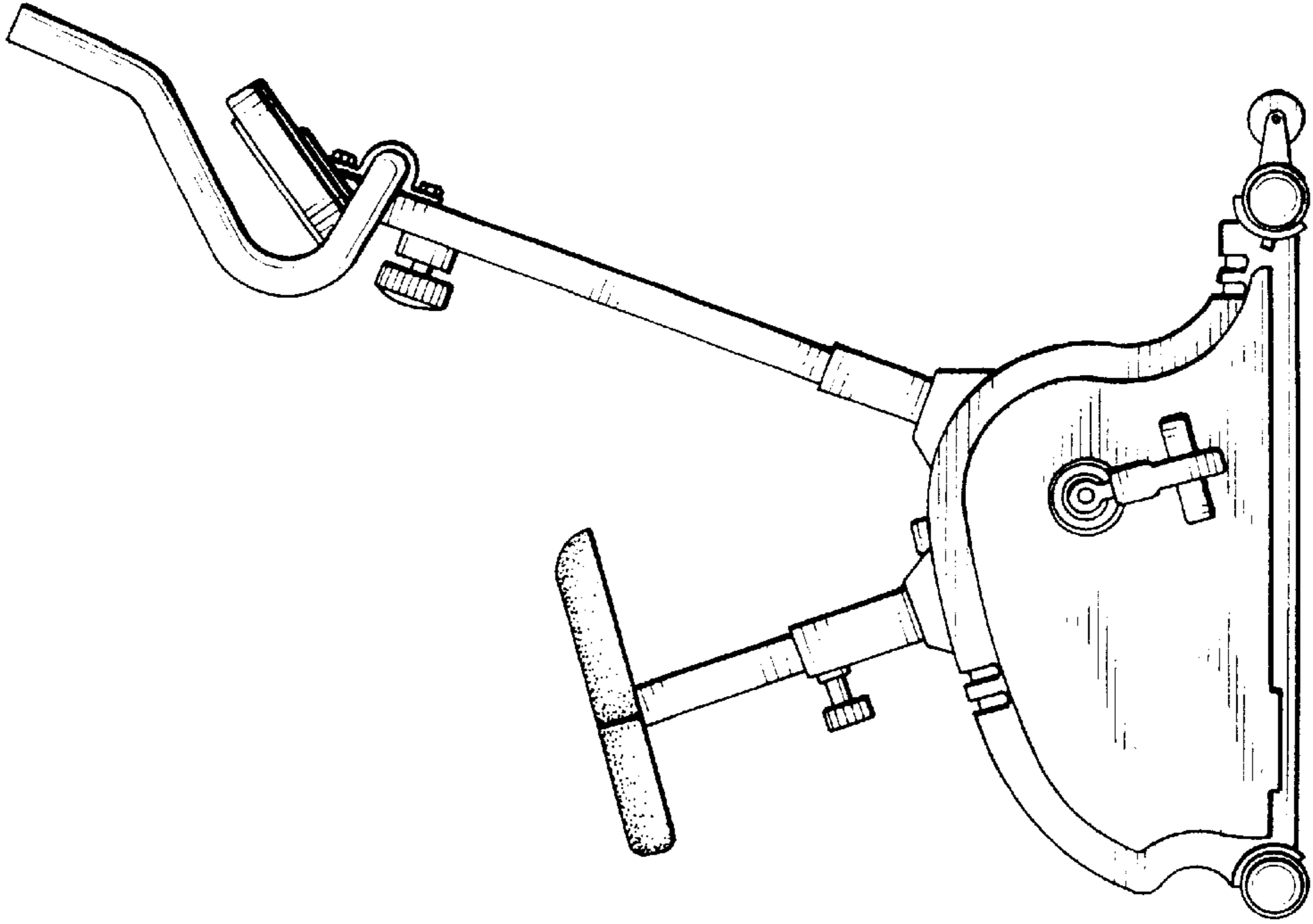


FIG. 3

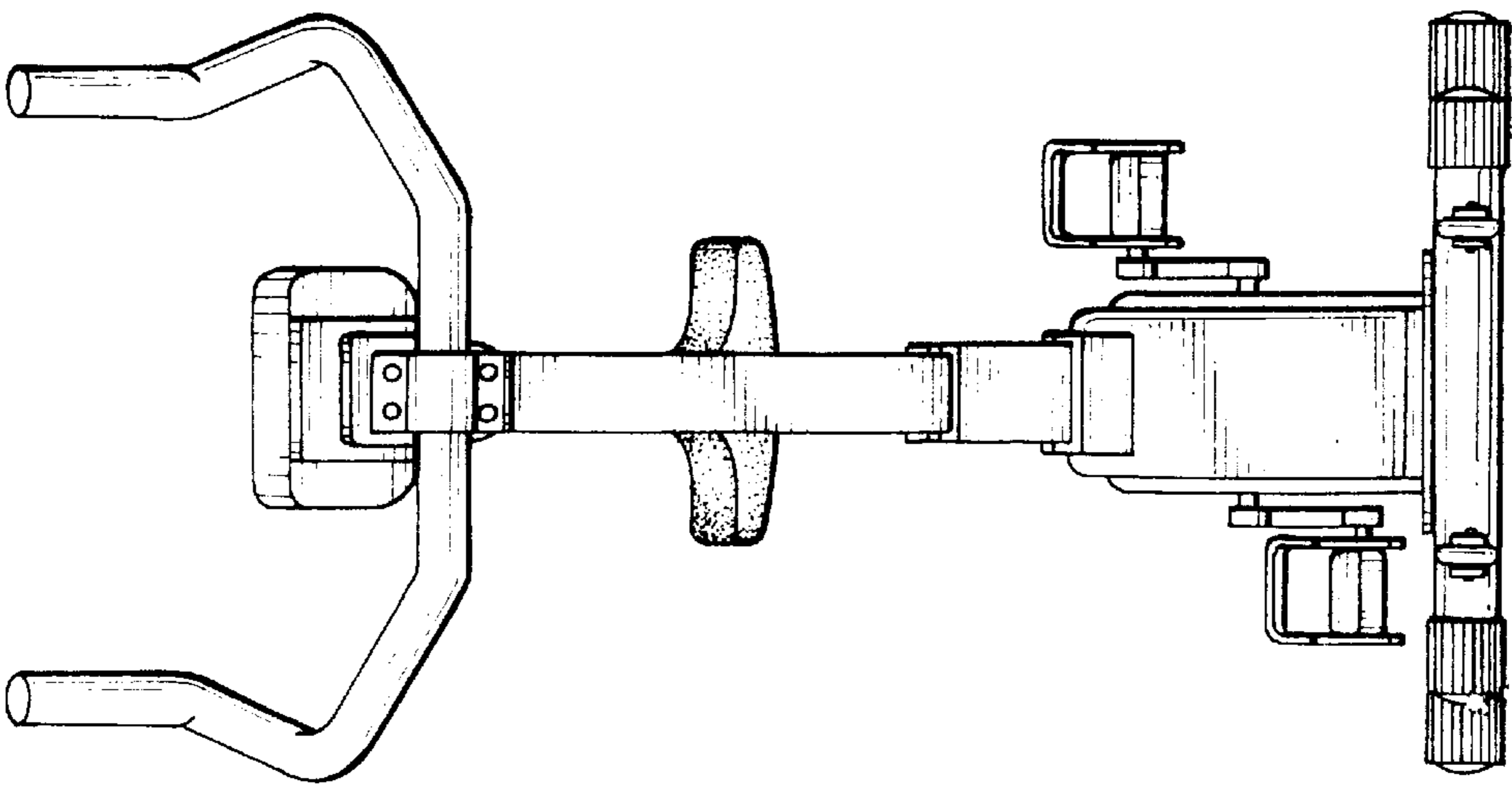


FIG. 2

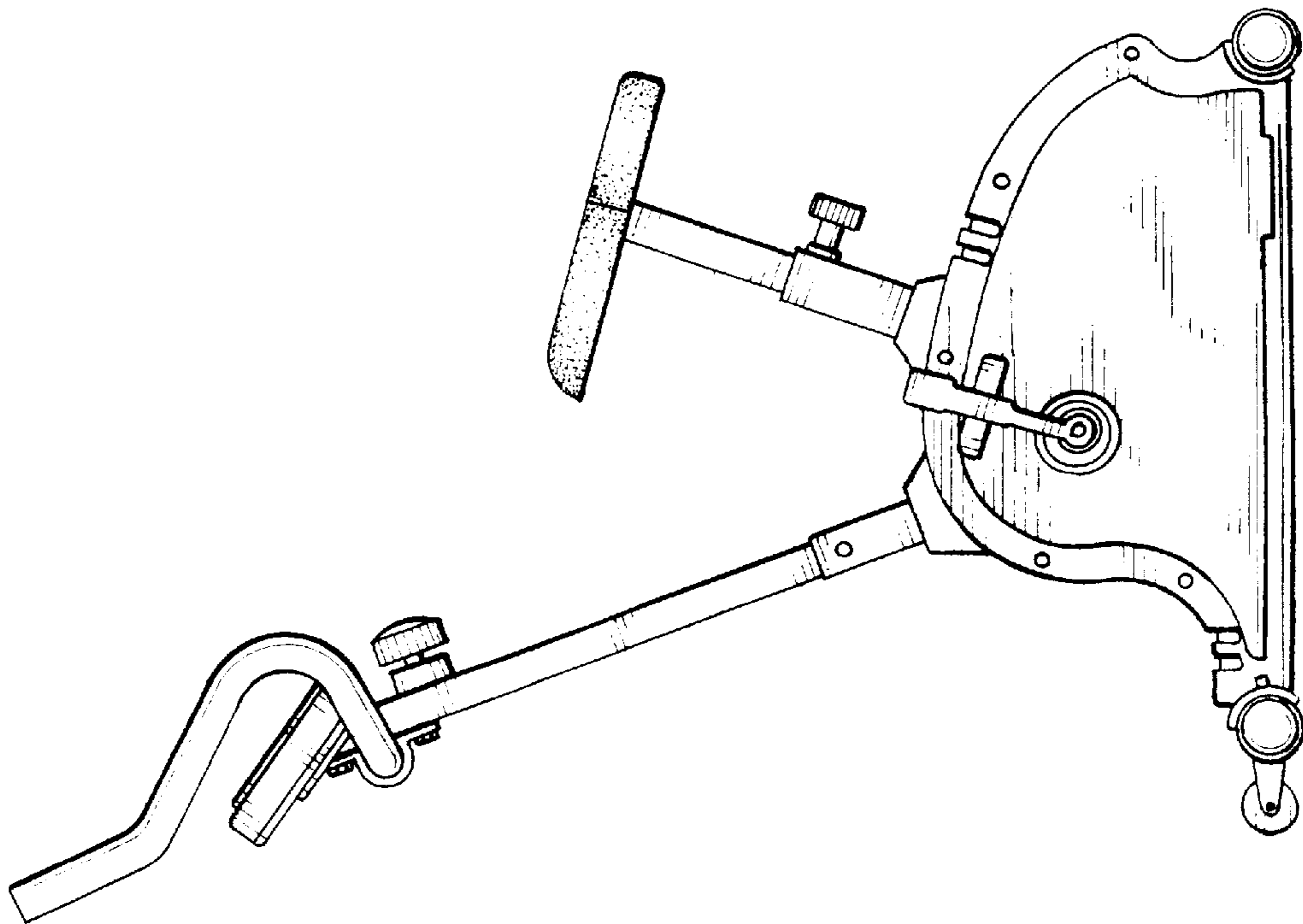


FIG. 4

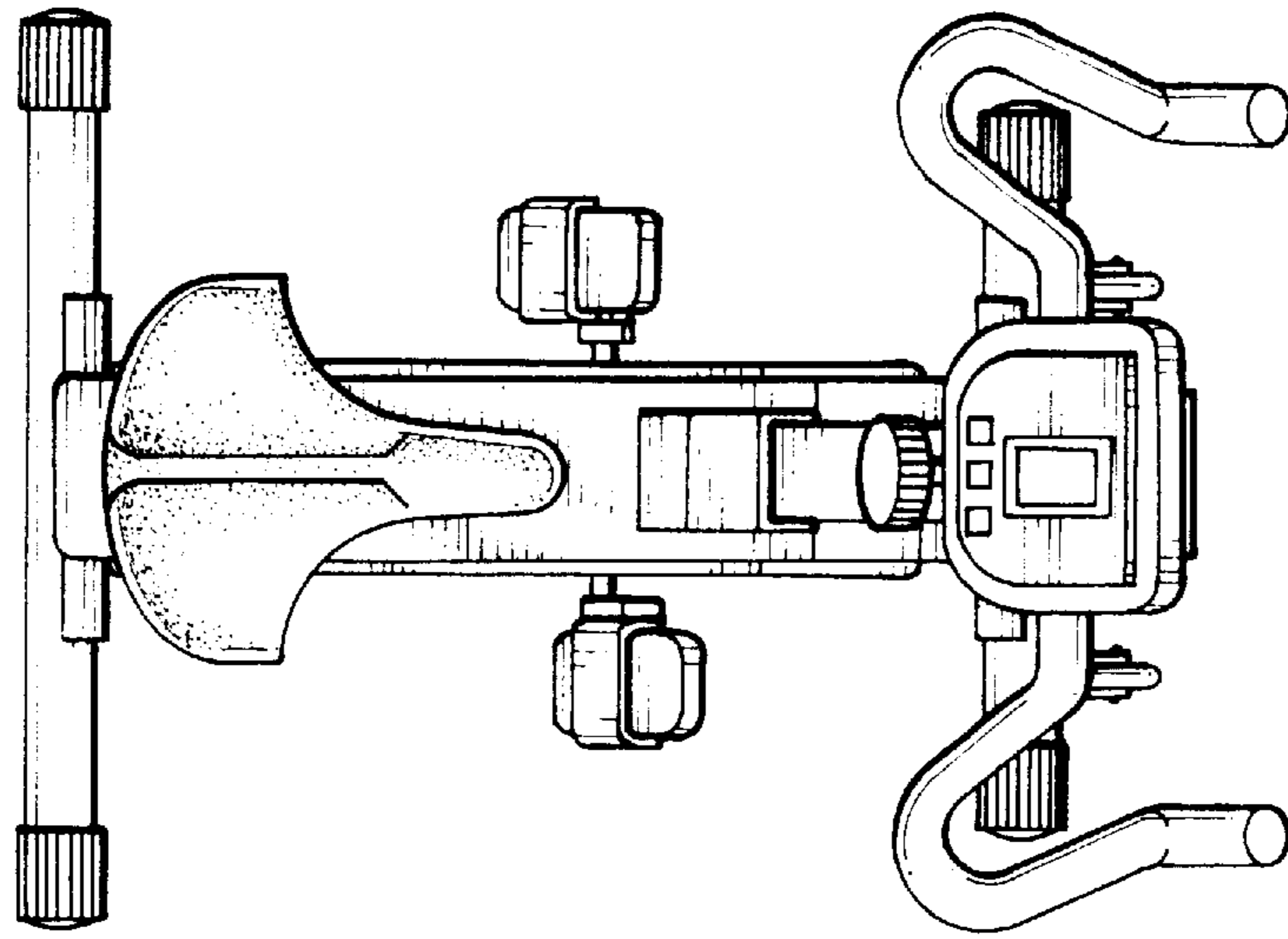


FIG. 5

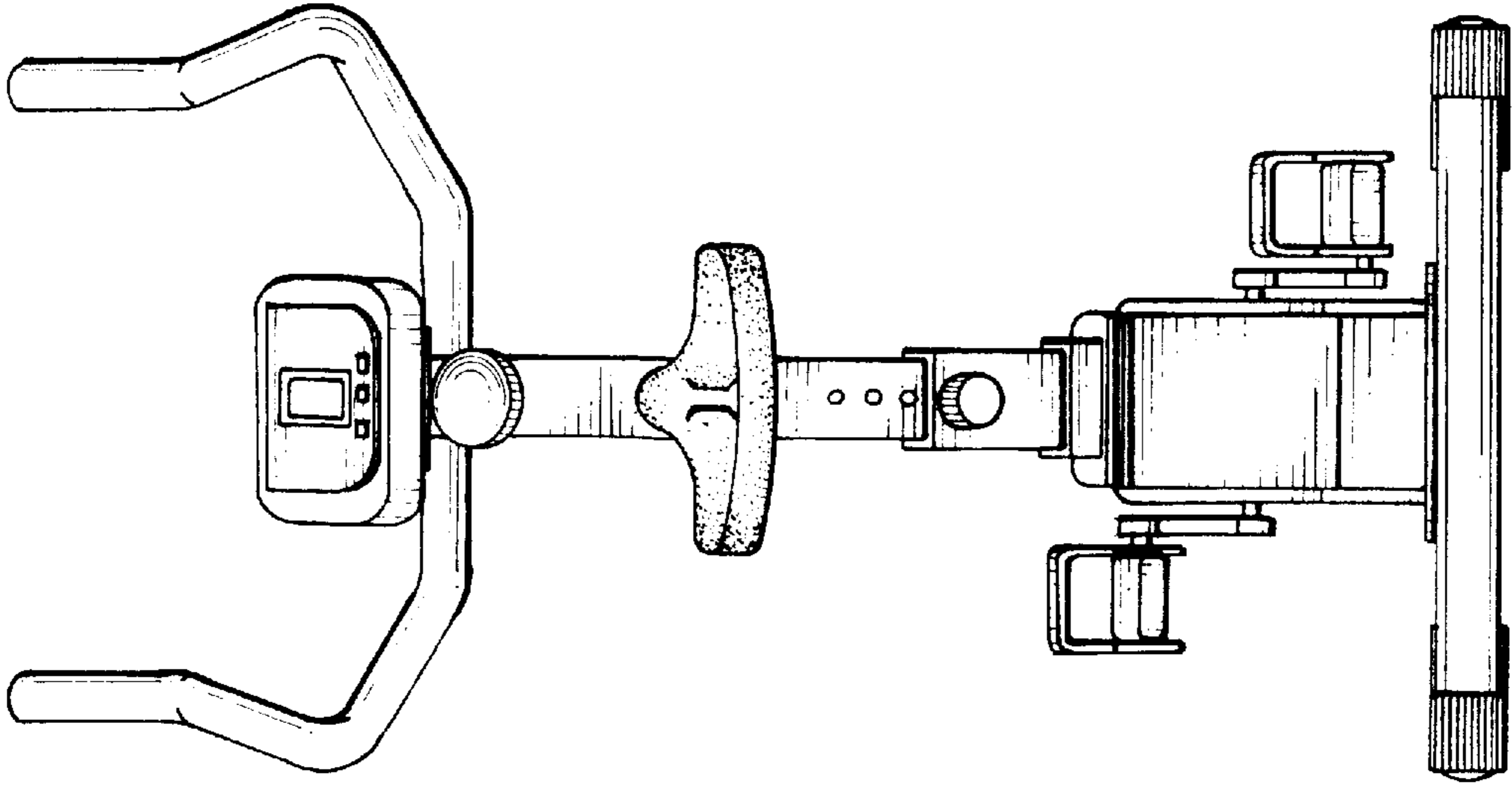


FIG. 7

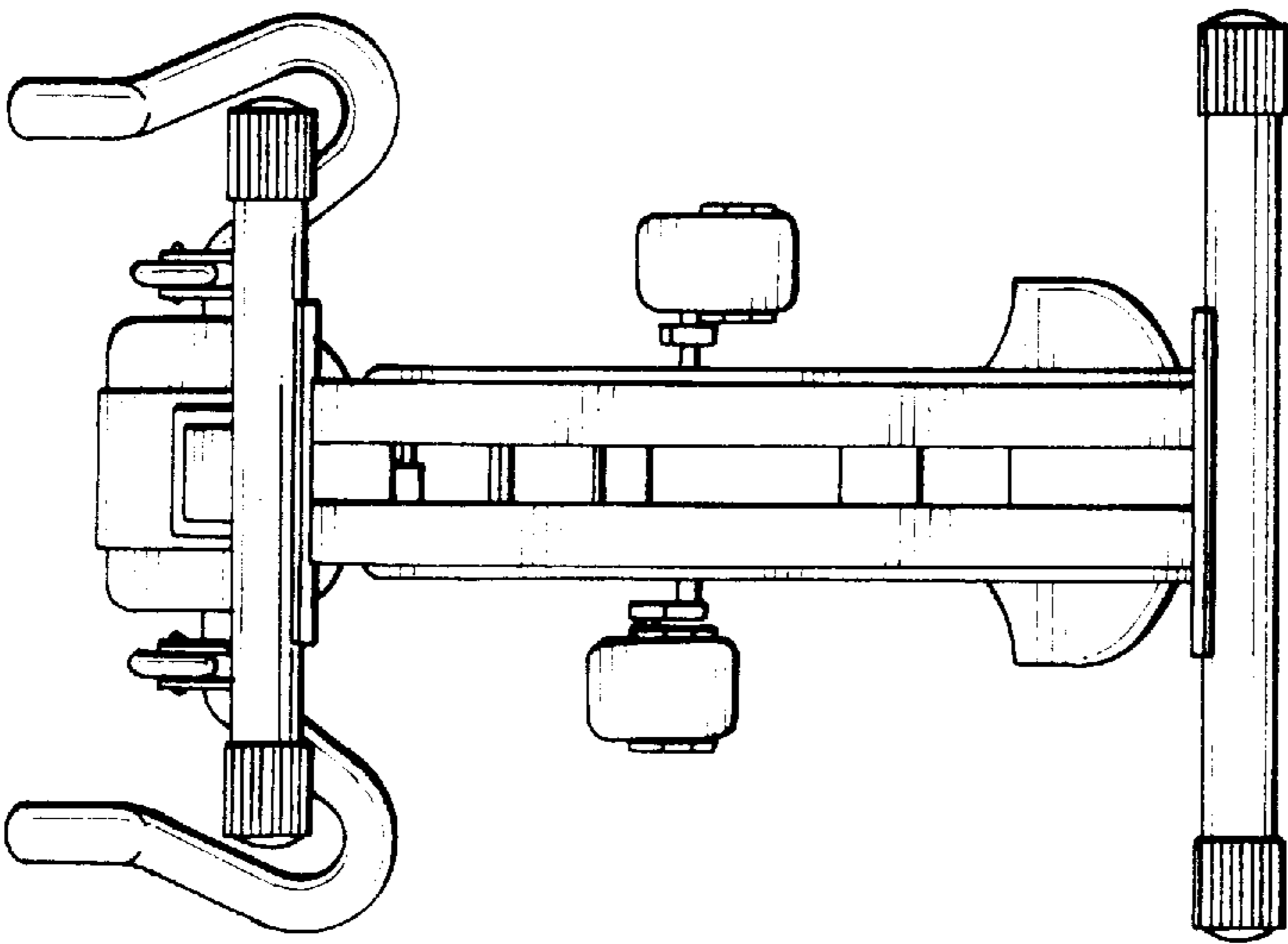


FIG. 6