



US00D401640S

United States Patent [19] Van Wagenen

[11] **Patent Number: Des. 401,640**

[45] **Date of Patent: **Nov. 24, 1998**

[54] **PANEL FOR PLAYGROUND STRUCTURE**

[75] **Inventor: Gary B. Van Wagenen, San Marino, Calif.**

[73] **Assignee: Little Tikes Commercial Play Systems (Omni) Inc., Industry, Calif.**

[**] **Term: 14 Years**

[21] **Appl. No.: 66,055**

[22] **Filed: Feb. 3, 1997**

[51] **LOC (6) Cl. 21-03**

[52] **U.S. Cl. D21/240**

[58] **Field of Search D21/240, 243, D21/244, 245, 246, 109; 482/35**

[56] **References Cited**

U.S. PATENT DOCUMENTS

D. 224,029	6/1972	Gale et al.	D34/5
D. 285,585	9/1986	Murdough, Jr. et al.	D21/108
D. 285,587	9/1986	Murdough, Jr. et al.	D21/108
D. 303,826	10/1989	Aker	D21/244
D. 307,924	5/1990	Fish, Jr.	D21/108
D. 333,328	2/1993	Aker et al.	D21/114
D. 334,610	4/1993	Aker	D21/244
D. 343,438	1/1994	Fish, Jr.	D21/244
D. 344,773	3/1994	Aker et al.	D21/244
D. 353,866	12/1994	Houry et al.	D21/240
D. 353,867	12/1994	Houry et al.	D21/240
D. 354,108	1/1995	Houry et al.	D21/240
D. 355,693	2/1995	Aker et al.	D21/244
D. 358,441	5/1995	Houry et al.	D21/240
D. 367,308	2/1996	Kelley et al.	D21/240
D. 367,694	3/1996	Van Huystee	D21/244
D. 367,911	3/1996	Van Huystee	D21/244
D. 370,538	6/1996	Gentry	D25/138
D. 374,902	10/1996	Bookstaver et al.	D21/246
D. 375,537	11/1996	Lenihan	D21/245
D. 377,075	12/1996	Temple et al.	D21/244
D. 377,203	1/1997	Jaeb	D21/244
D. 381,730	7/1997	Van Huystee	D21/240
2,057,942	10/1936	Fay	46/31
4,731,041	3/1988	Ziegler	446/115

OTHER PUBLICATIONS

P. 45, Panels for playground structures; Burke Company, Inc., 660 Van Dyne Road, P. O. Box 549, Fond du Lac, Wisconsin 54936-0549. Publication date 1992.

Pp. 44 and 45, Panels for playground structures; Landscape Structures Inc., 601 7th Street South, Delano, Minnesota 55328. Publication date 1992.

(List continued on next page.)

Primary Examiner—Ted Shooman

Assistant Examiner—Mitchell I. Siegel

Attorney, Agent, or Firm—Richard B. O'Planick; Lisa B. Riedesel

[57] **CLAIM**

The ornamental design for a panel for playground structure, as shown and described.

DESCRIPTION

FIG. 1 is a enlarged top right front perspective view of a panel for playground structure showing my new design;

FIG. 2 is a top plan view thereof;

FIG. 3 is a front elevational view thereof;

FIG. 4 is a bottom plan view thereof;

FIG. 5 is a right side elevational view thereof;

FIG. 6 is a rear elevational view thereof;

FIG. 7 is a left side elevational view thereof;

FIG. 8 is an enlarged top right front perspective view of an alternate embodiment of a panel for playground structure showing my new design;

FIG. 9 is a front elevational view of the alternate embodiment;

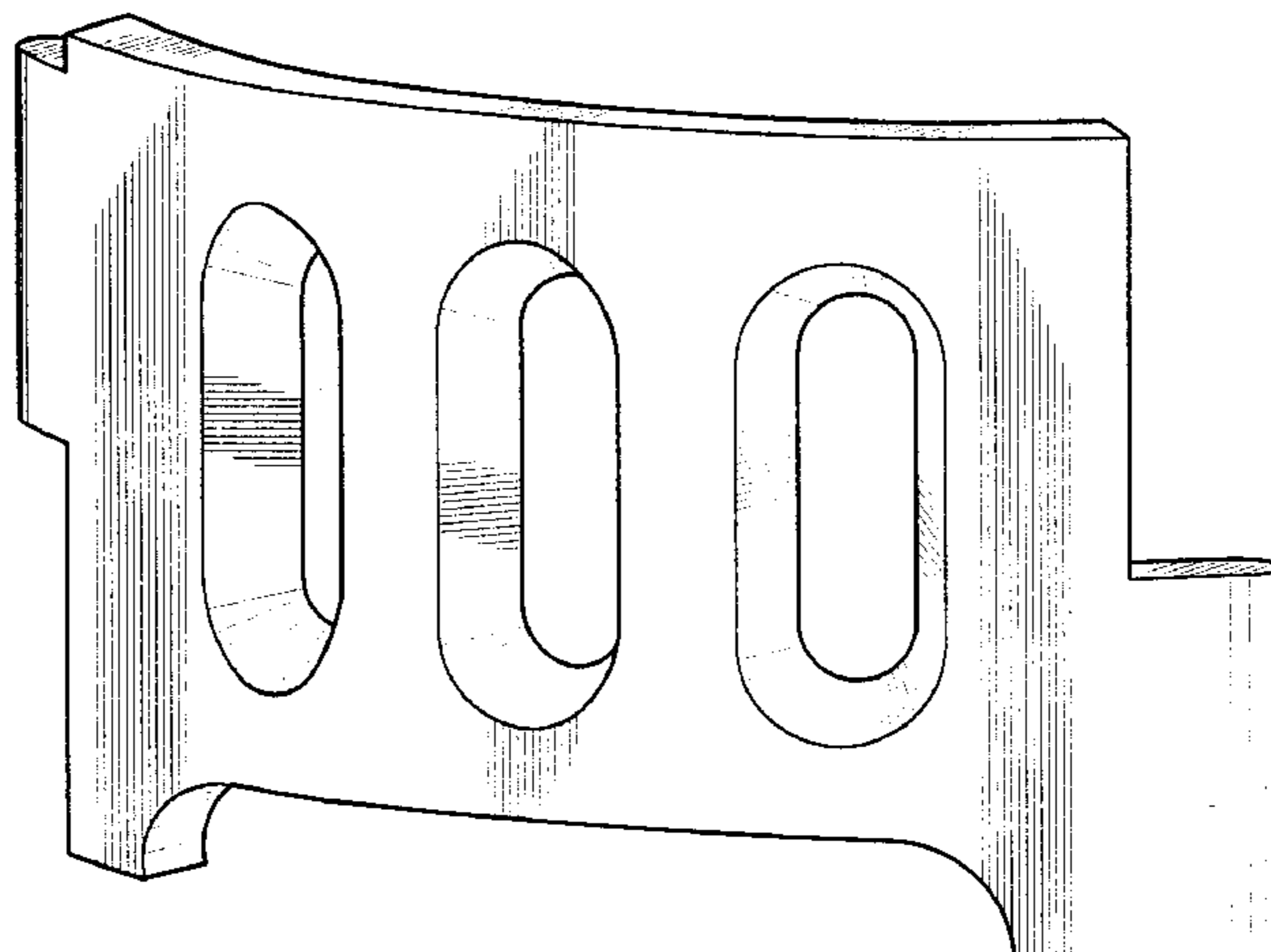
FIG. 10 is a rear elevational view of the alternate embodiment;

FIG. 11 is a top plan view of the alternate embodiment; the undisclosed bottom plan view is identical to FIG. 4;

FIG. 12 is a right side elevational view of the alternate embodiment; and,

FIG. 13 is a left side elevational view of the alternate embodiment.

1 Claim, 3 Drawing Sheets



OTHER PUBLICATIONS

Pp. 28–31, Panels for playground structures; GameTime, Inc., P. O. Box 121, Fort Payne, Alabama 35967. Publication date 1995.

P. 9, Panel for playground structure; The Children's Factory, 505 North Kirkwood Road, St. Louis, Missouri 63122, Publication date 1986–88.

P. 65, Panel for playground structure; Kaplan School Supply Corp., 1310 Lewisville–Clemmons Road, Lewisville, North Carolina 27023. Publication date 1986–87.

Catalog page, Panel for playground structure; Step 2 Corporation, 10010 Auronora–Hudson Road, P. O. Box 2412, Streetsboro, Ohio 44241–0412. Publication date 1993.

Fig-1

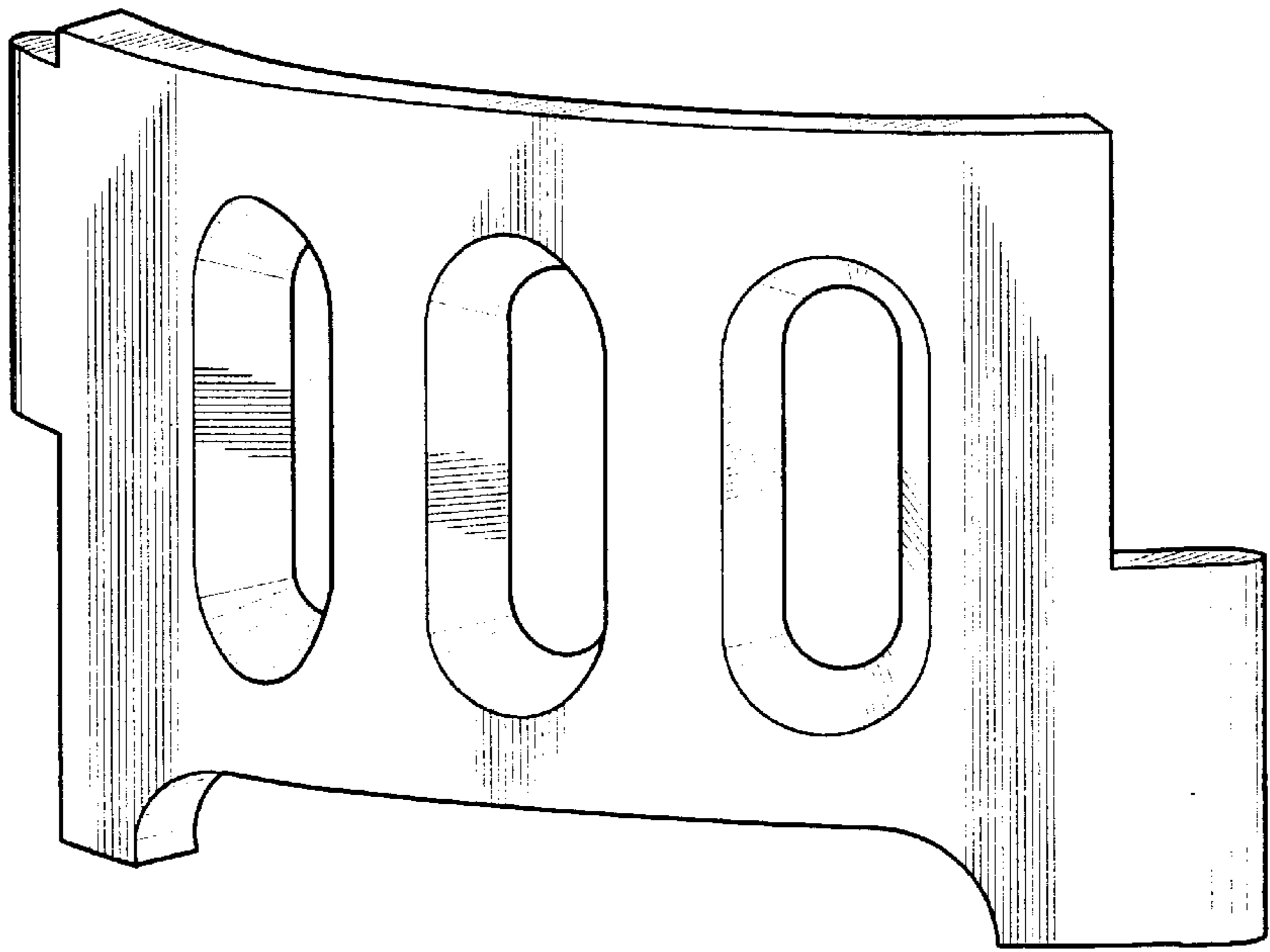


Fig-2

Fig-3

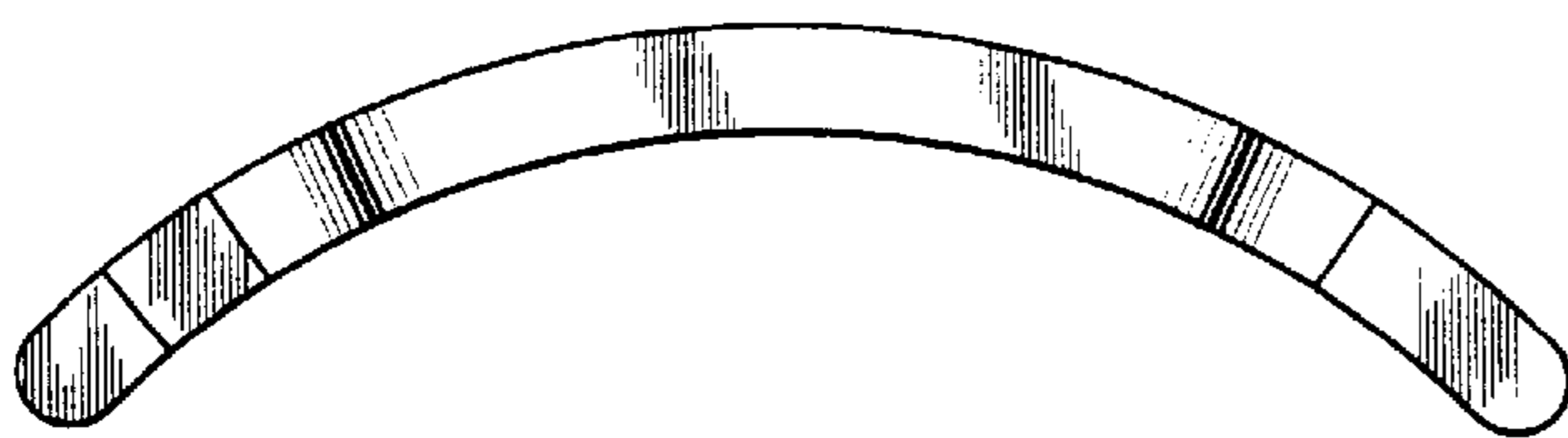
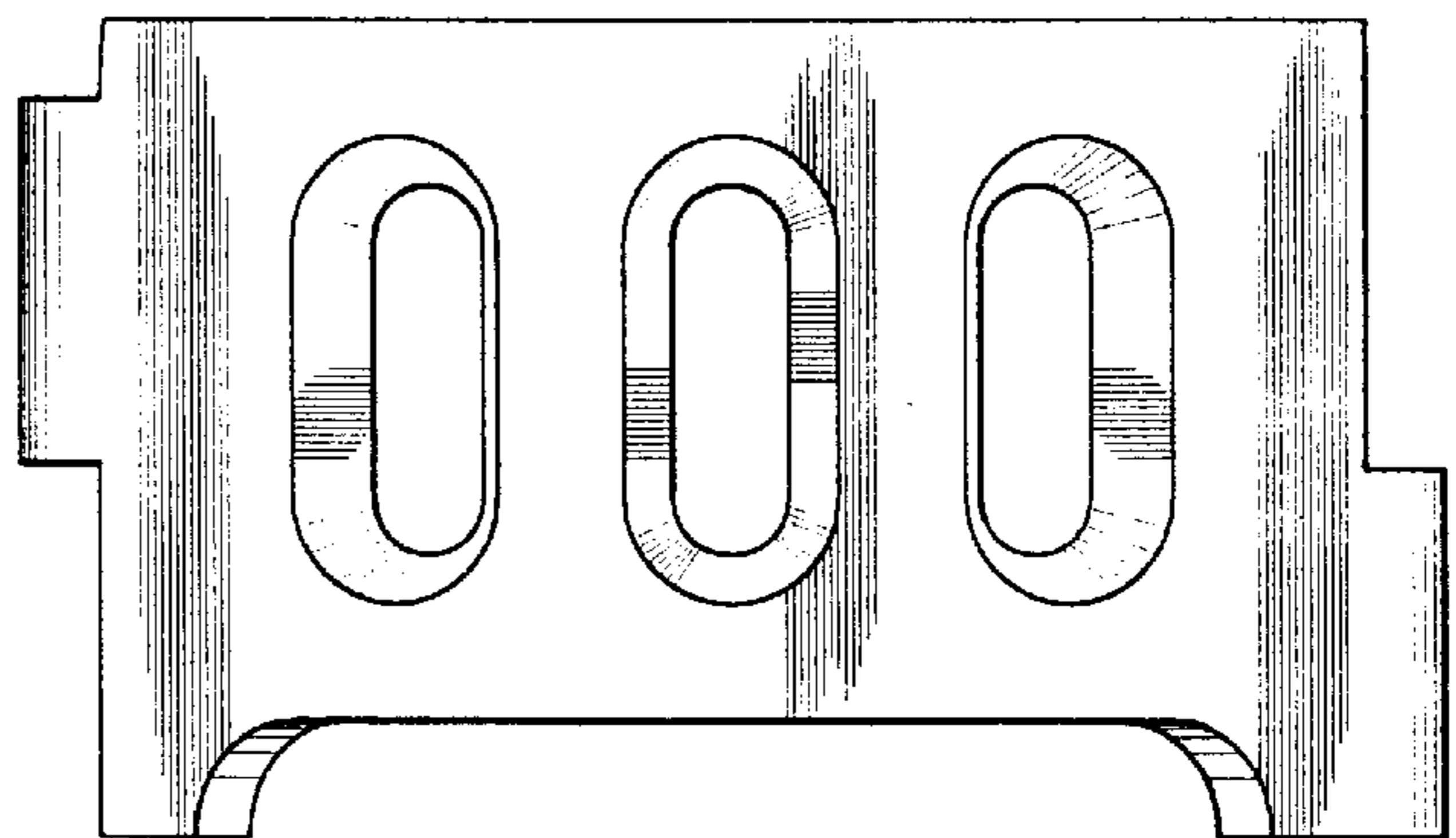


Fig-4

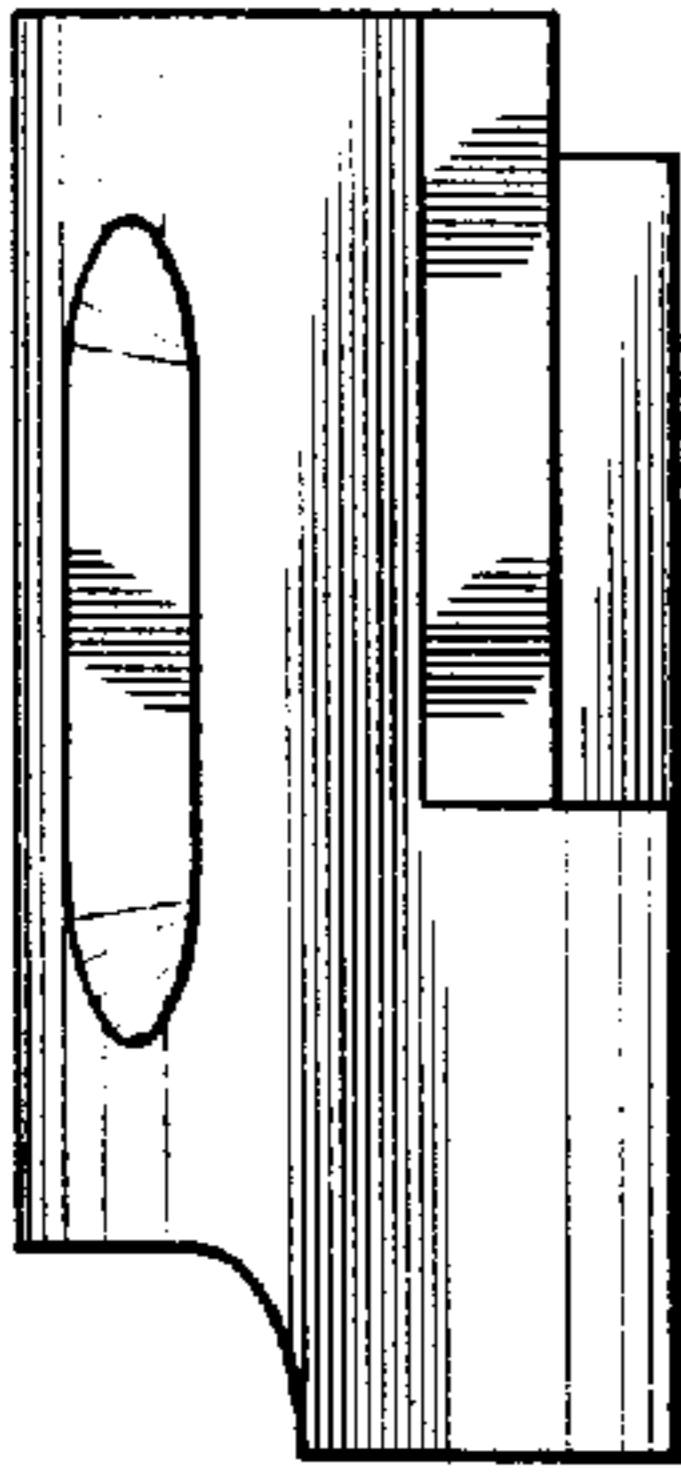


Fig-5

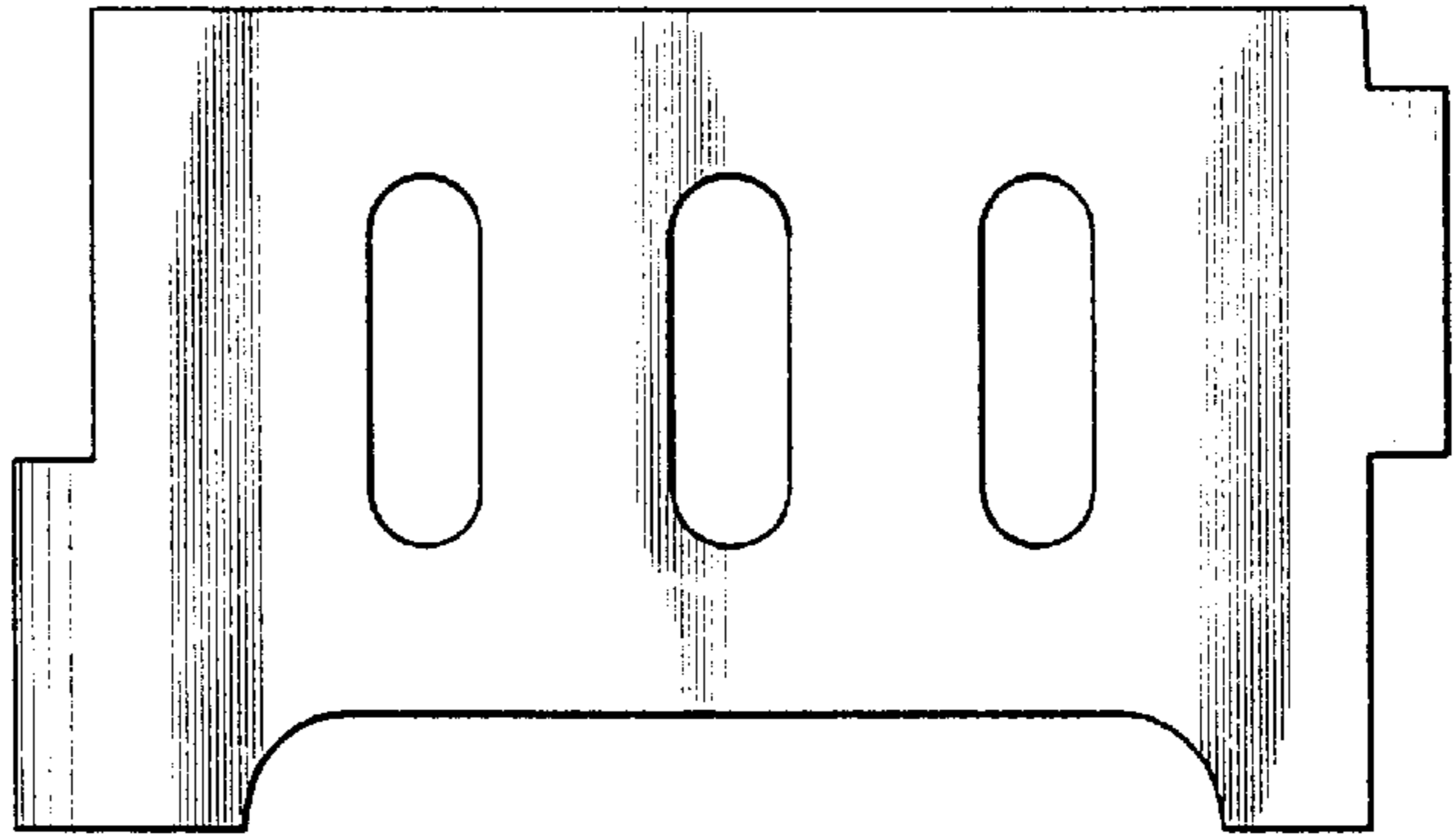


Fig-6

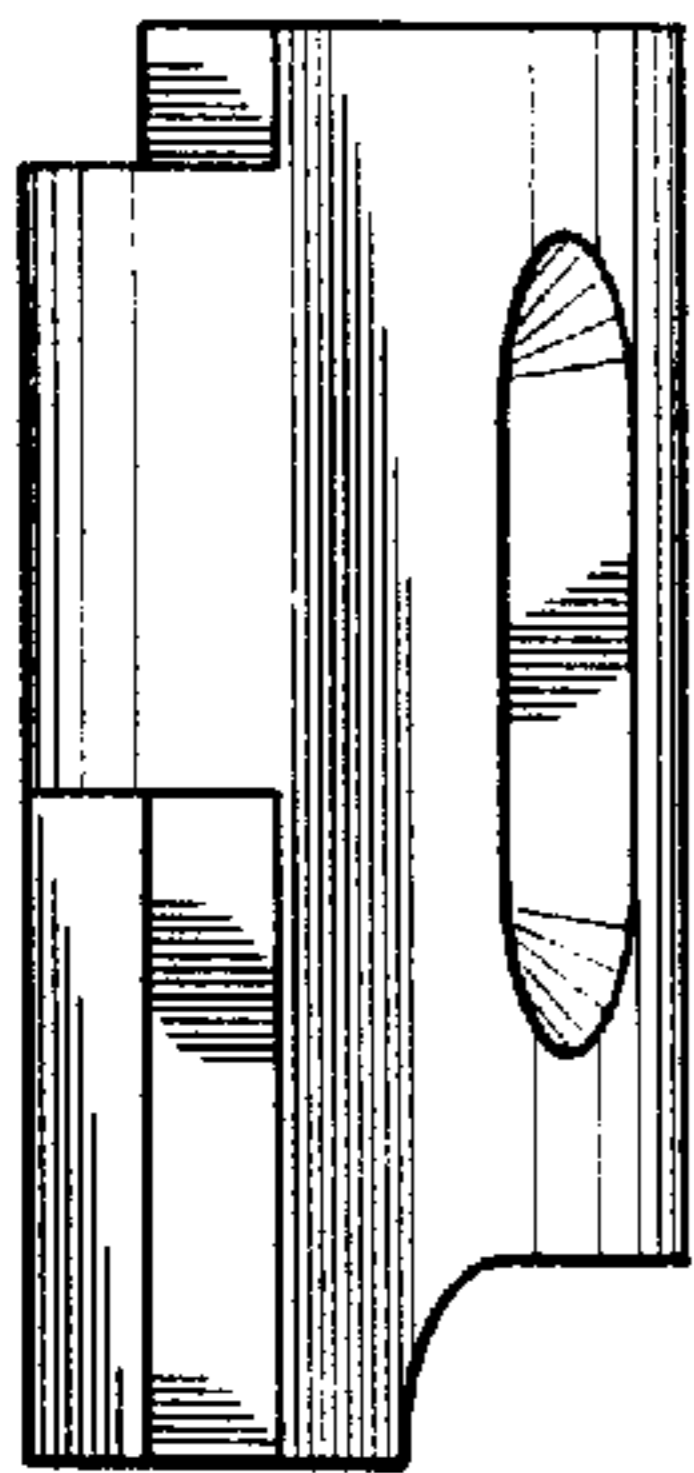


Fig-7

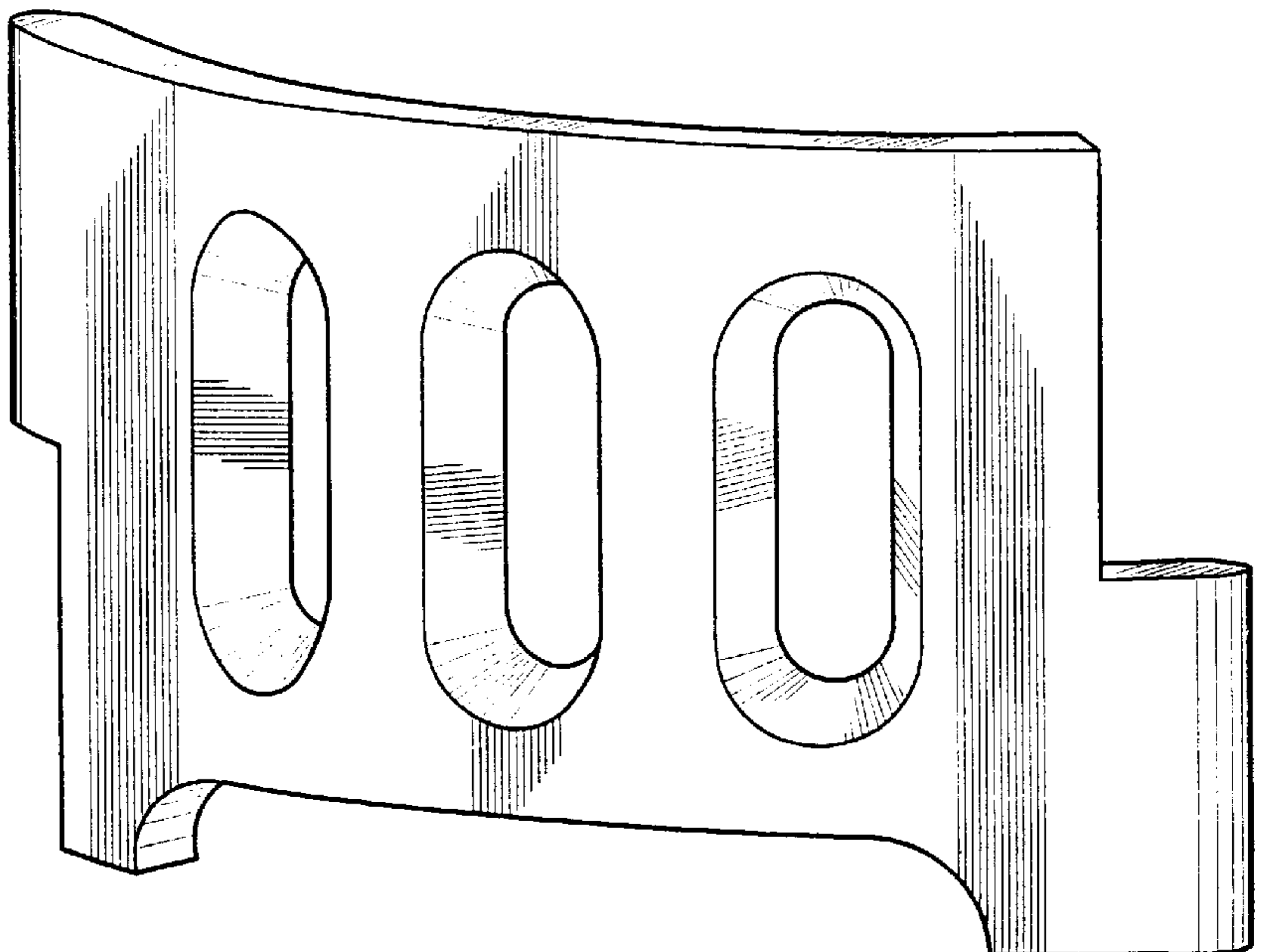


Fig-8

Fig-9

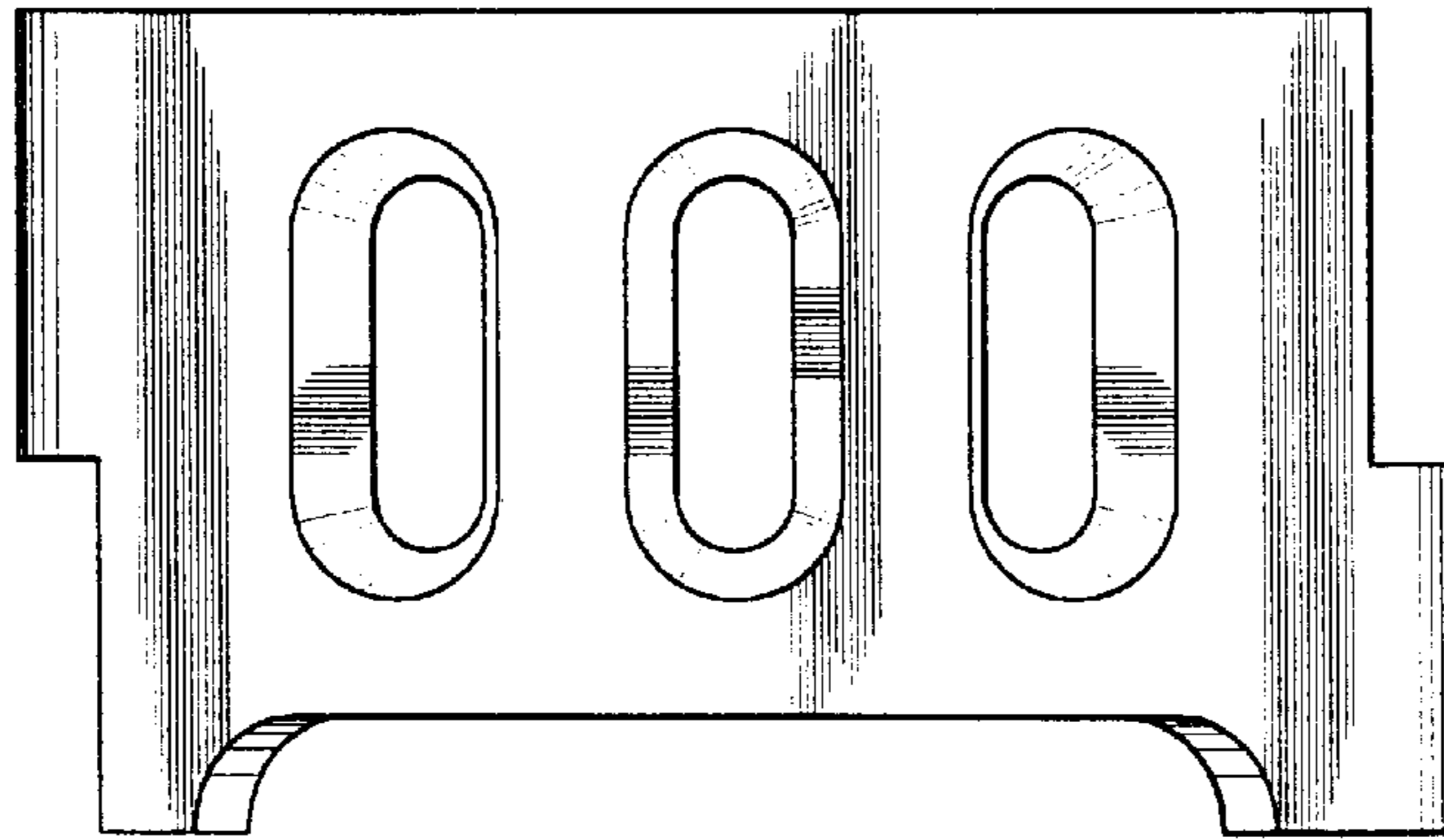


Fig-10

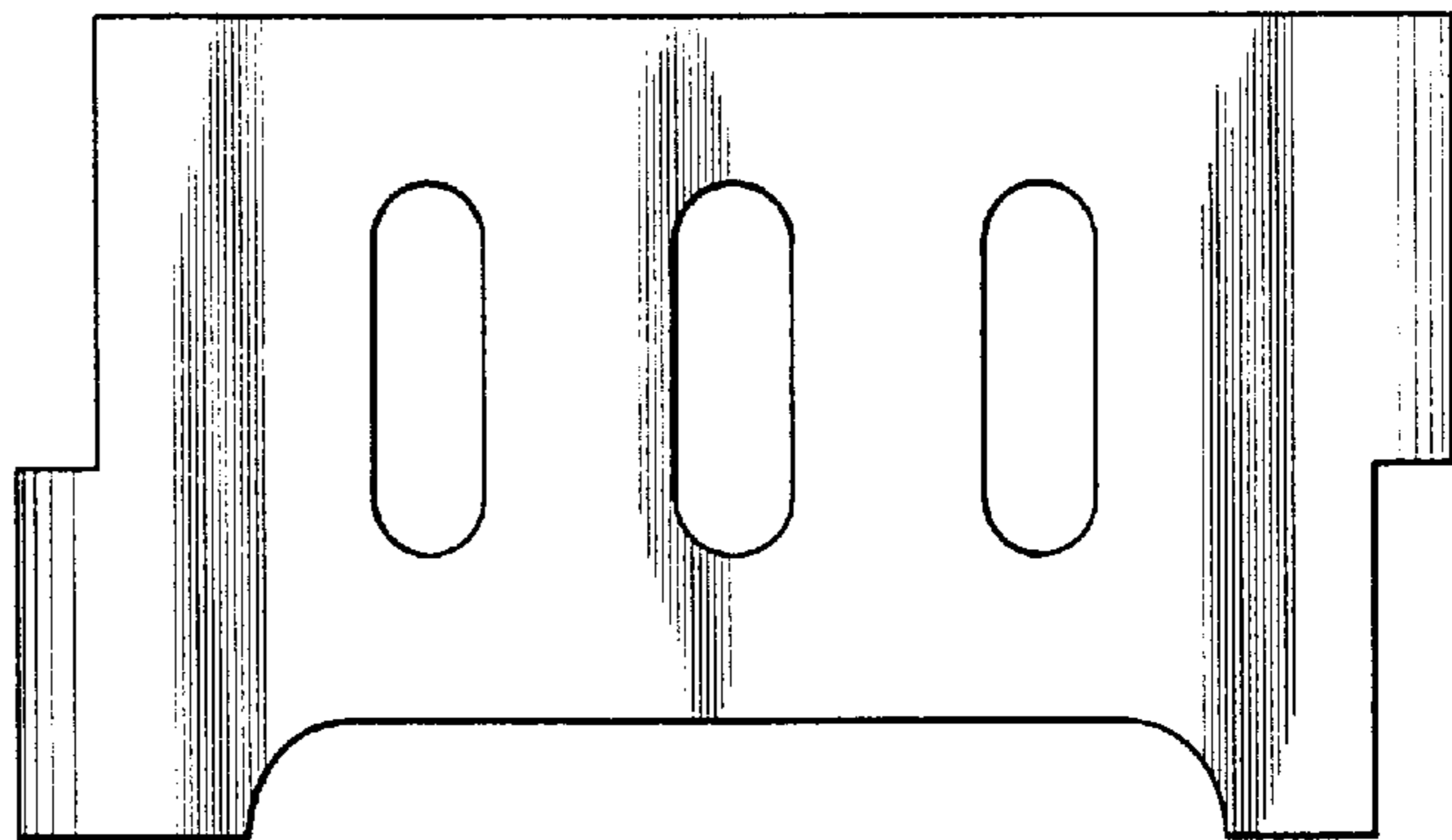


Fig-11

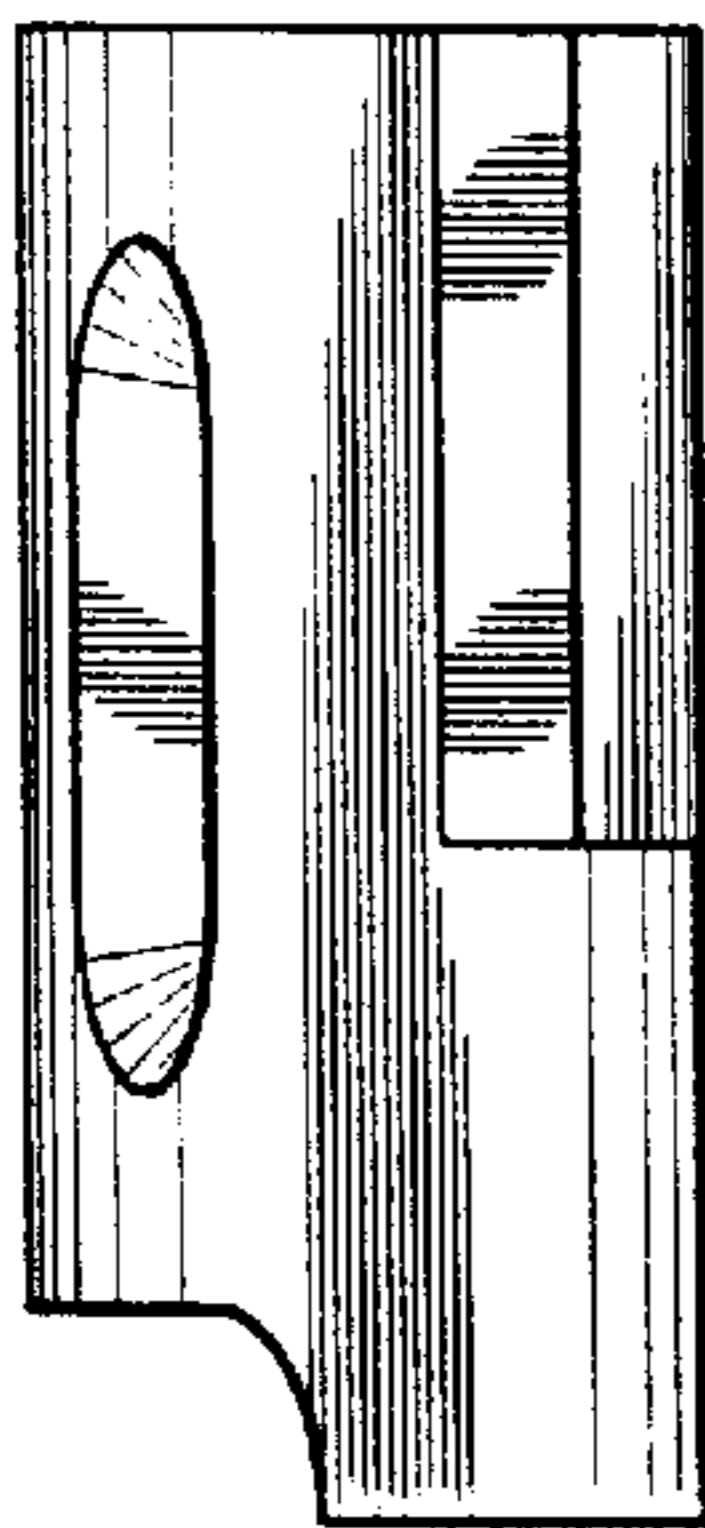


Fig-12

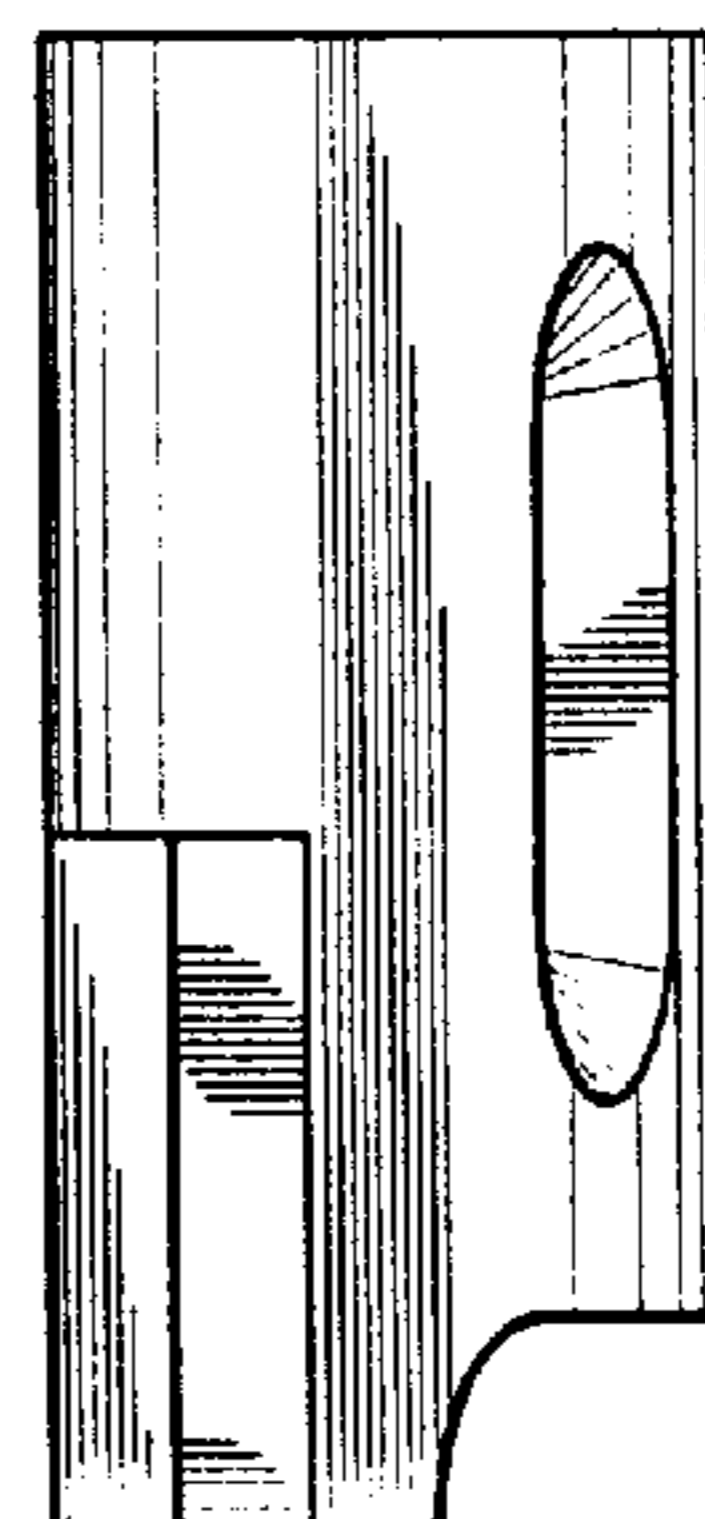


Fig-13