



US00D401636S

# United States Patent [19]

Duclos

[11] **Patent Number: Des. 401,636**

[45] **Date of Patent: \*\*Nov. 24, 1998**

[54] **GOLF PUTTER HEAD**

[76] Inventor: **Clovis R. Duclos**, 3622 Rebel Cir.,  
Huntington Beach, Calif. 92649

[\*\*] Term: **14 Years**

[21] Appl. No.: **75,494**

[22] Filed: **Aug. 15, 1997**

[51] **LOC (6) Cl. .... 21-02**

[52] **U.S. Cl. .... D21/219**

[58] **Field of Search ..... D21/217-219;**  
473/324, 340, 341

[56] **References Cited**

**U.S. PATENT DOCUMENTS**

- D. 275,981 10/1984 Duclos ..... D21/219
- D. 368,750 4/1996 Izett et al. .... D21/217

*Primary Examiner*—Sandra L. Morris  
*Assistant Examiner*—Mitchell I. Siegel  
*Attorney, Agent, or Firm*—George W. Finch

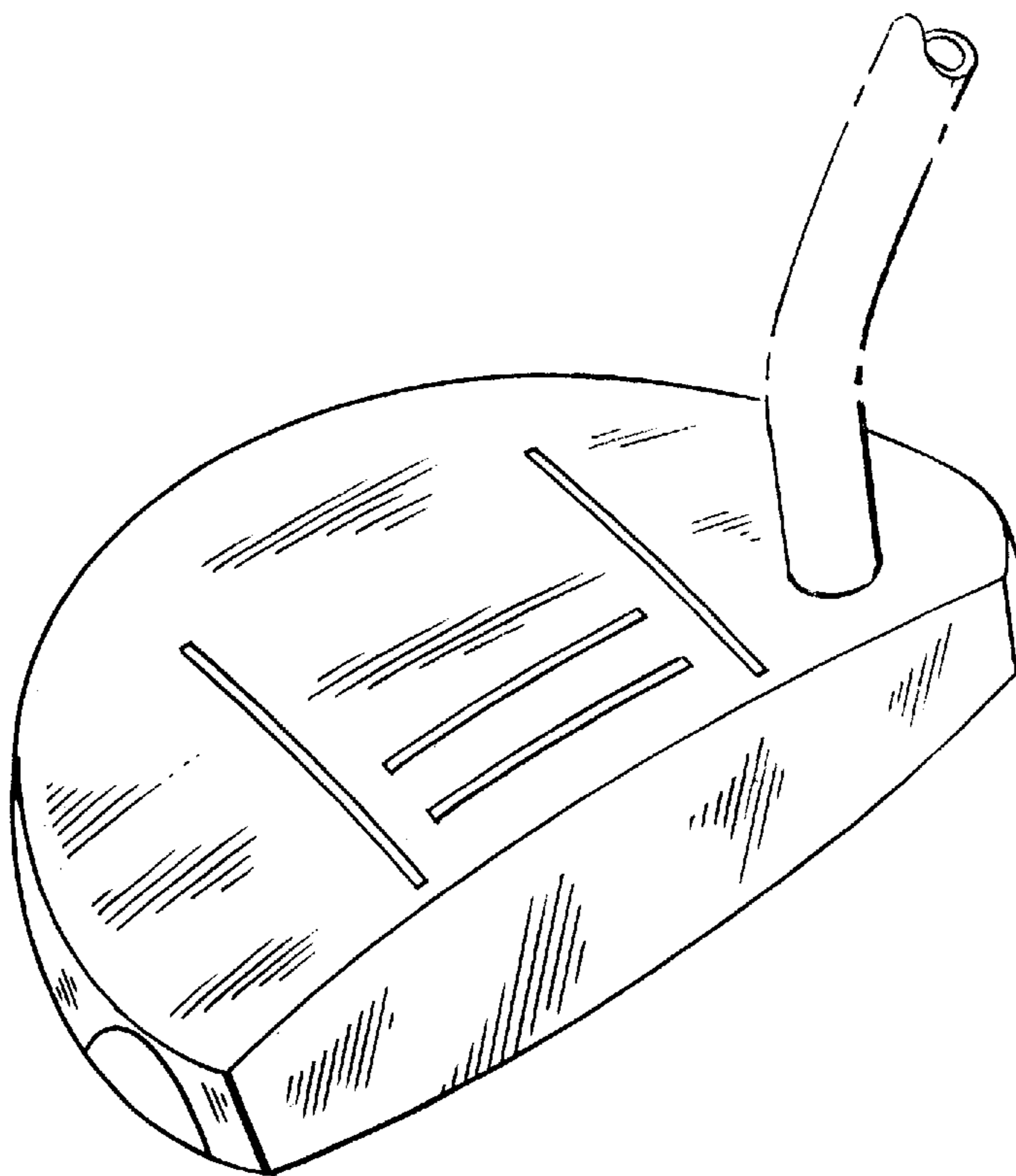
[57] **CLAIM**

The ornamental design for a golf putter head, as shown and described.

**DESCRIPTION**

FIG. 1 is a perspective view showing the back, right side and top of the ornamental design;  
FIG. 2 is a back elevational view of the same;  
FIG. 3 is a top plan view of the same;  
FIG. 4 is a front elevational view of the same;  
FIG. 5 is a bottom view of the same;  
FIG. 6 is a left side elevational view of the same; and,  
FIG. 7 is a right side elevational view of the same.  
The broken line showing of a fragmented shaft is for illustrative purposes only and forms no part of the claimed design.

**1 Claim, 2 Drawing Sheets**



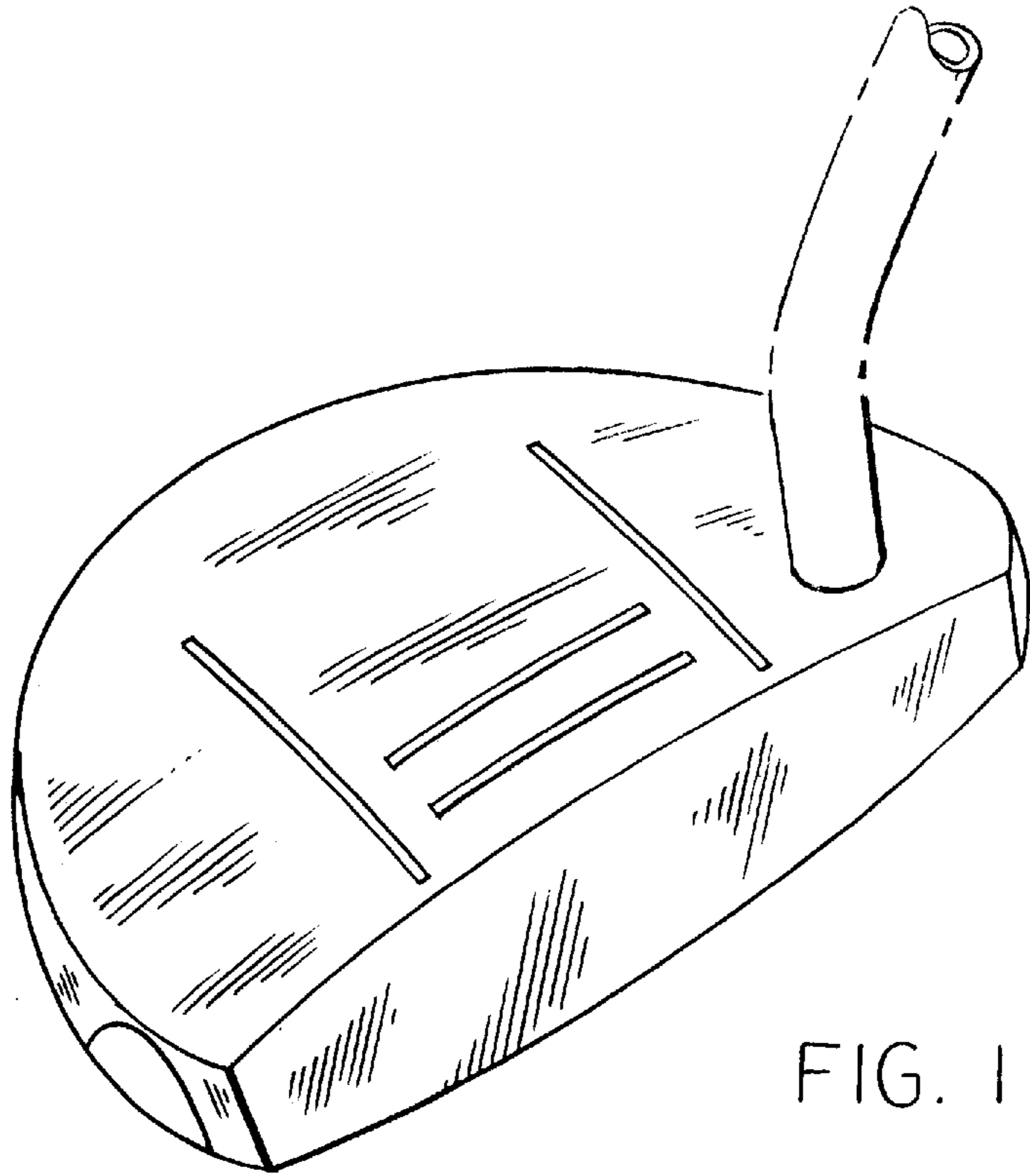


FIG. 1

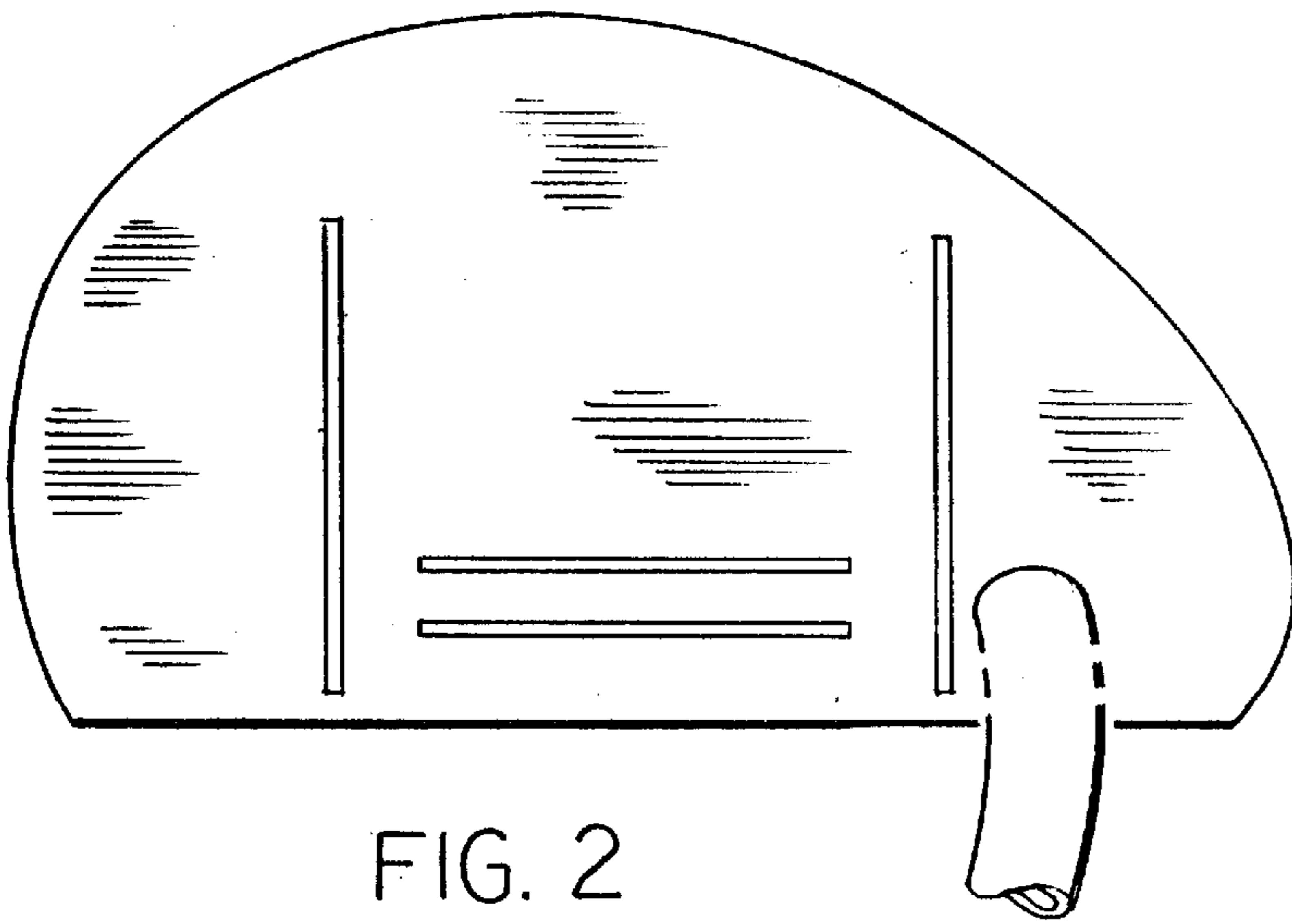
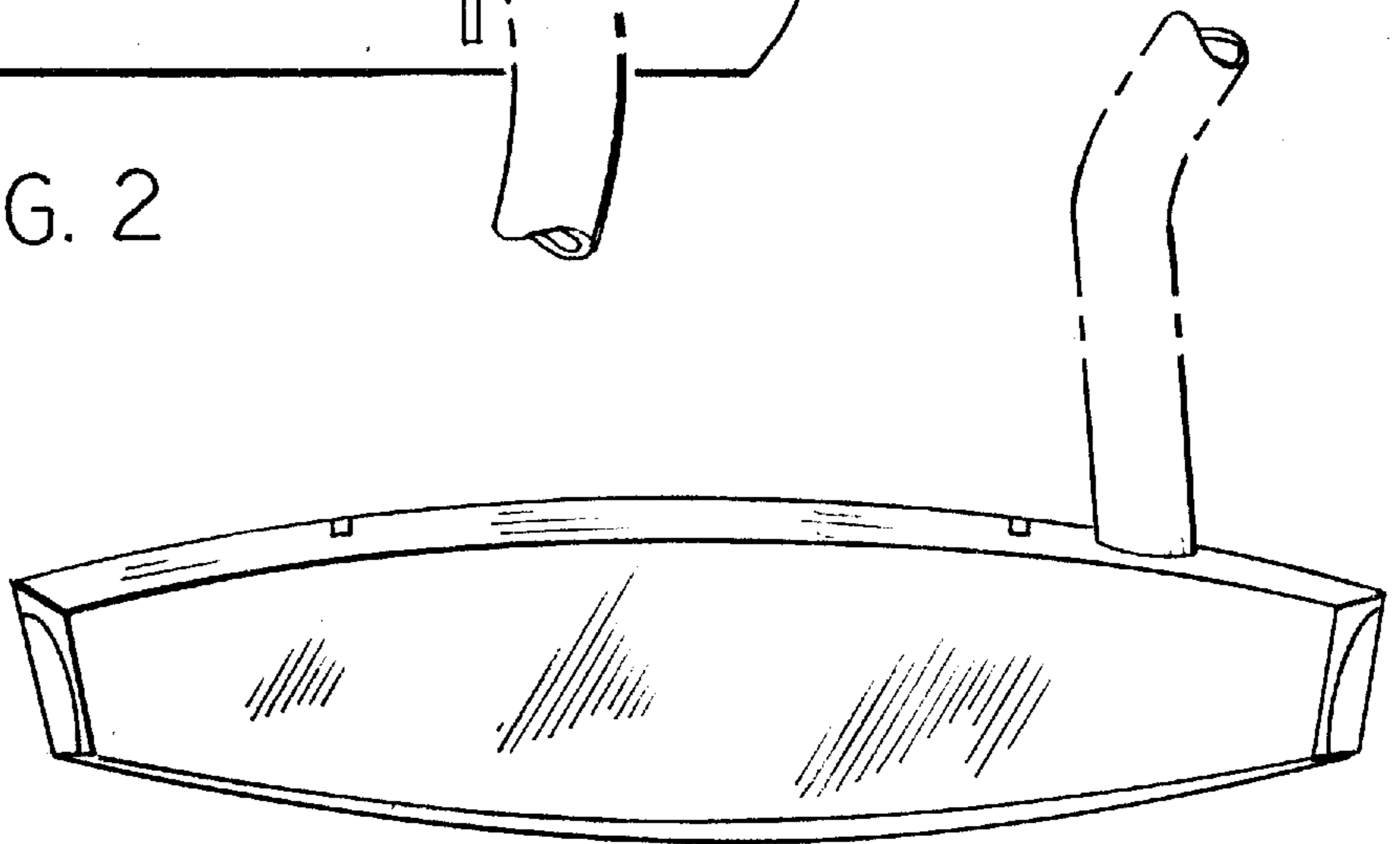


FIG. 2

FIG. 3



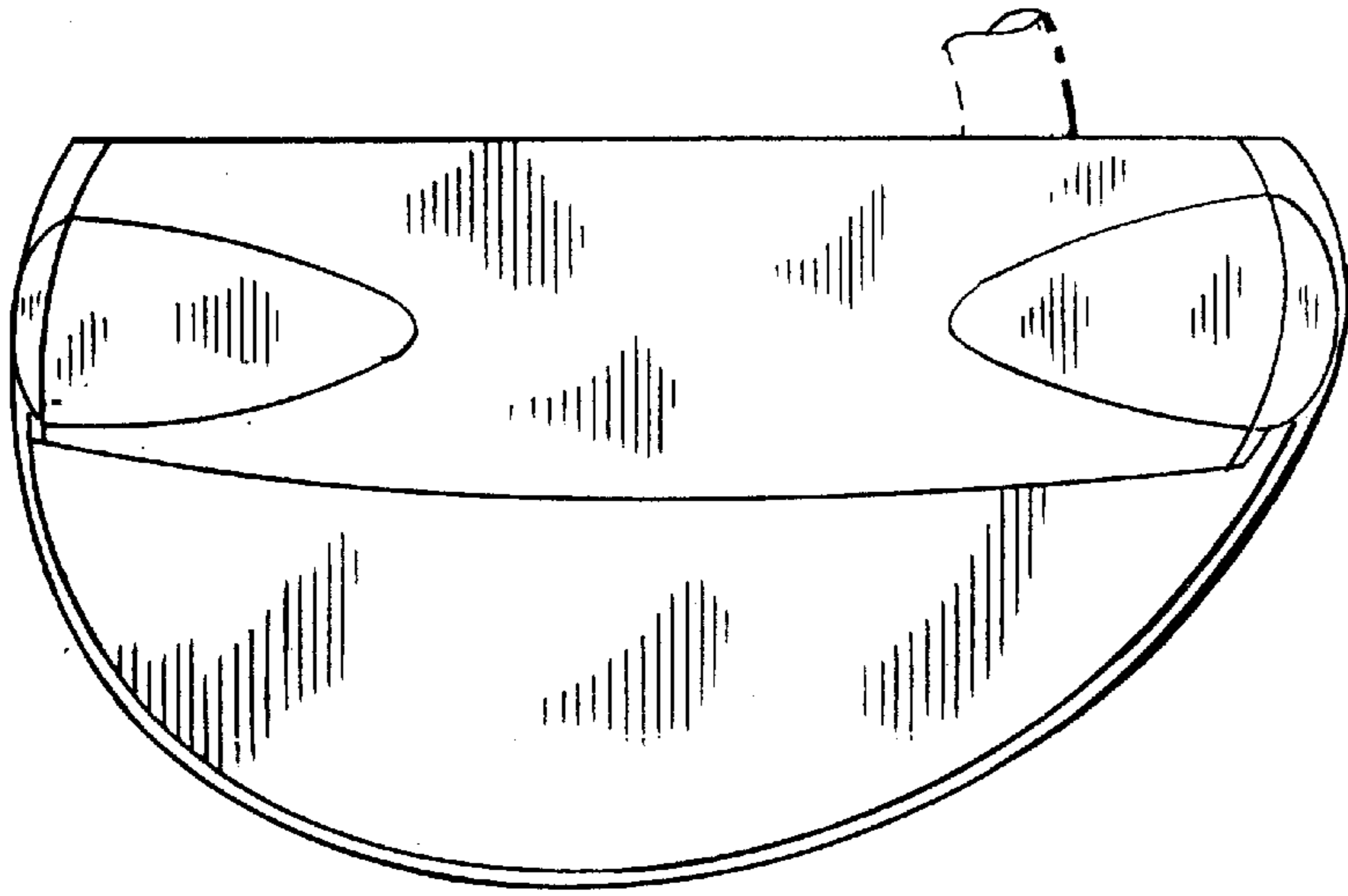


FIG. 4

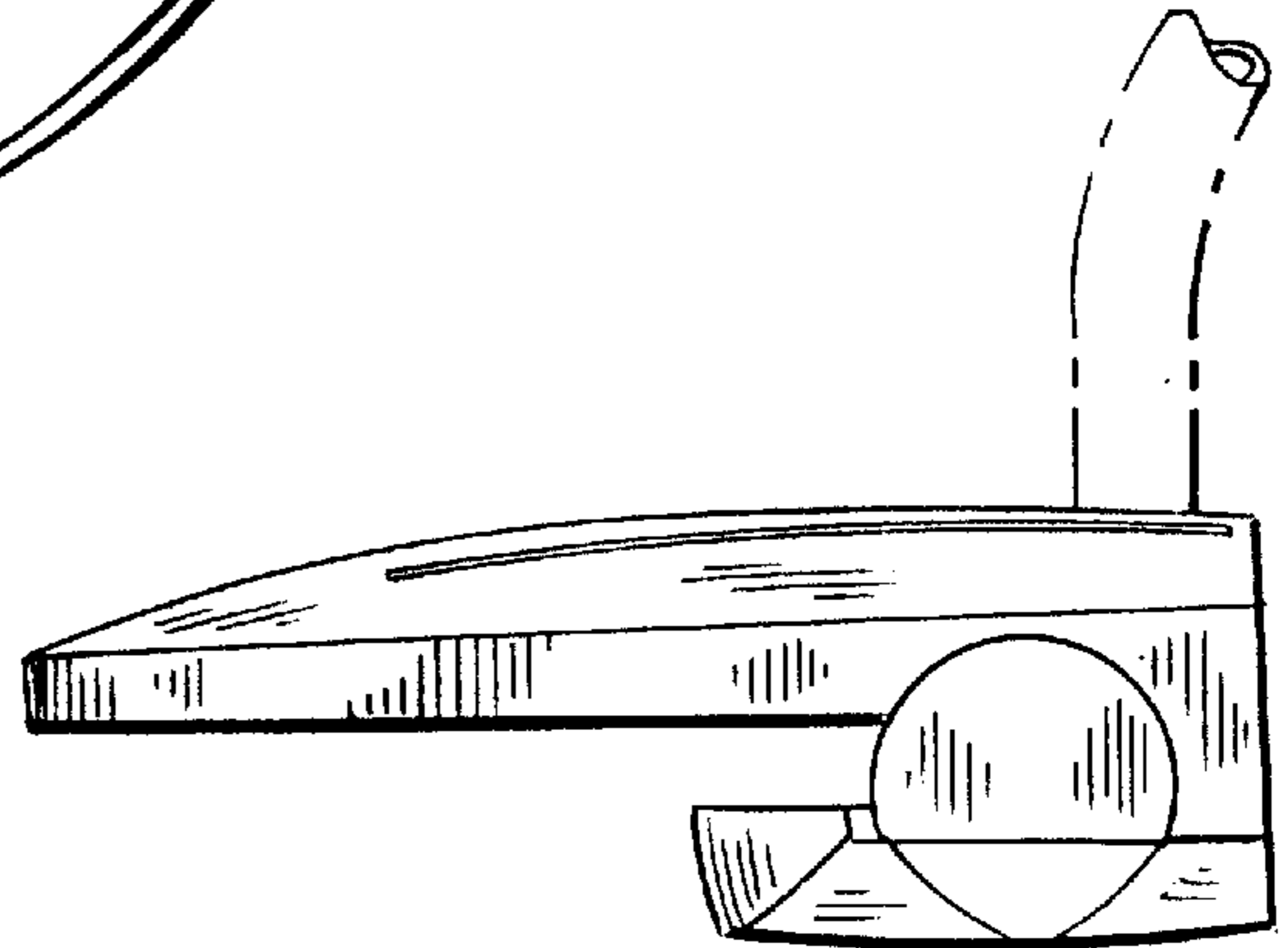


FIG. 5

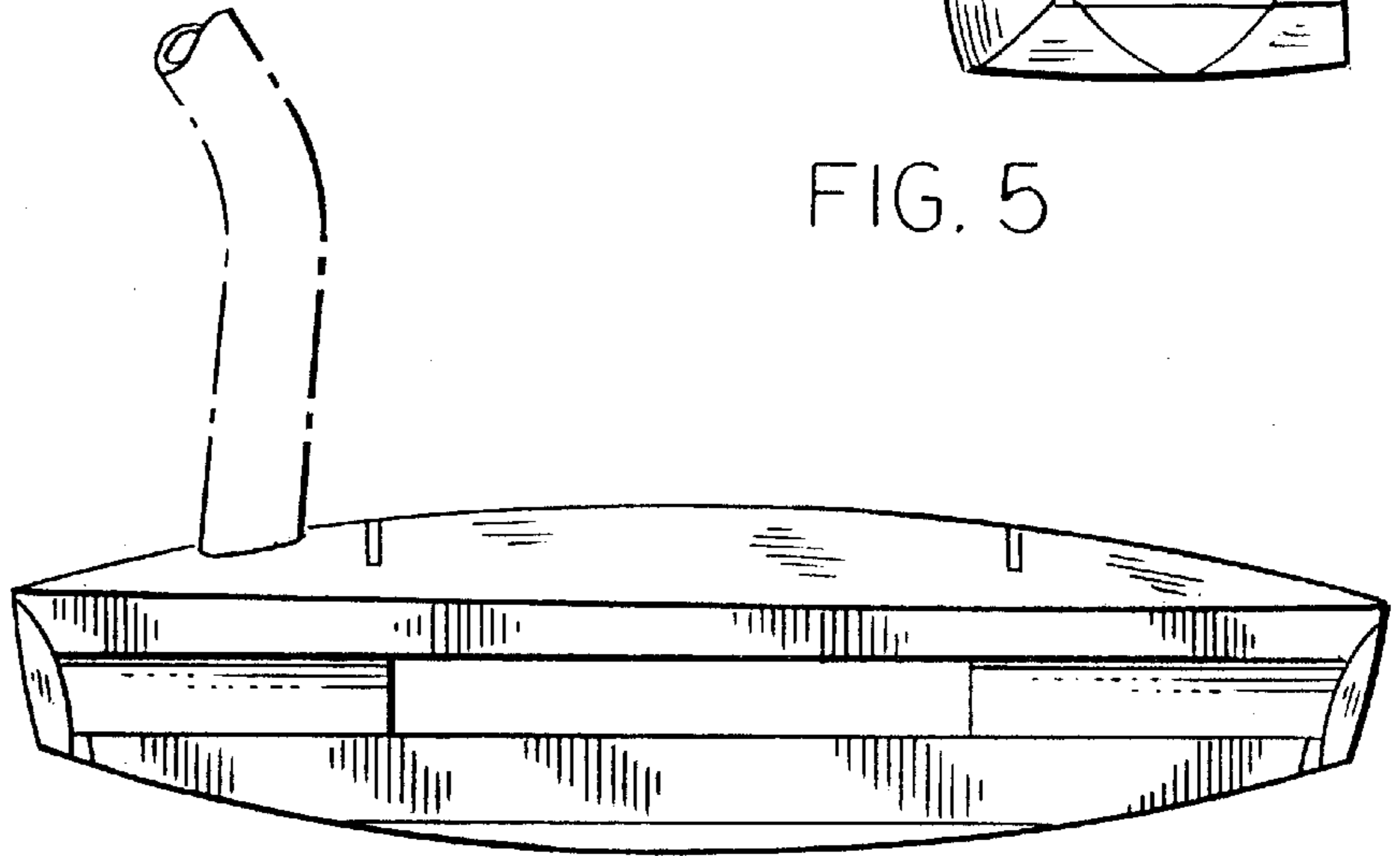


FIG. 6

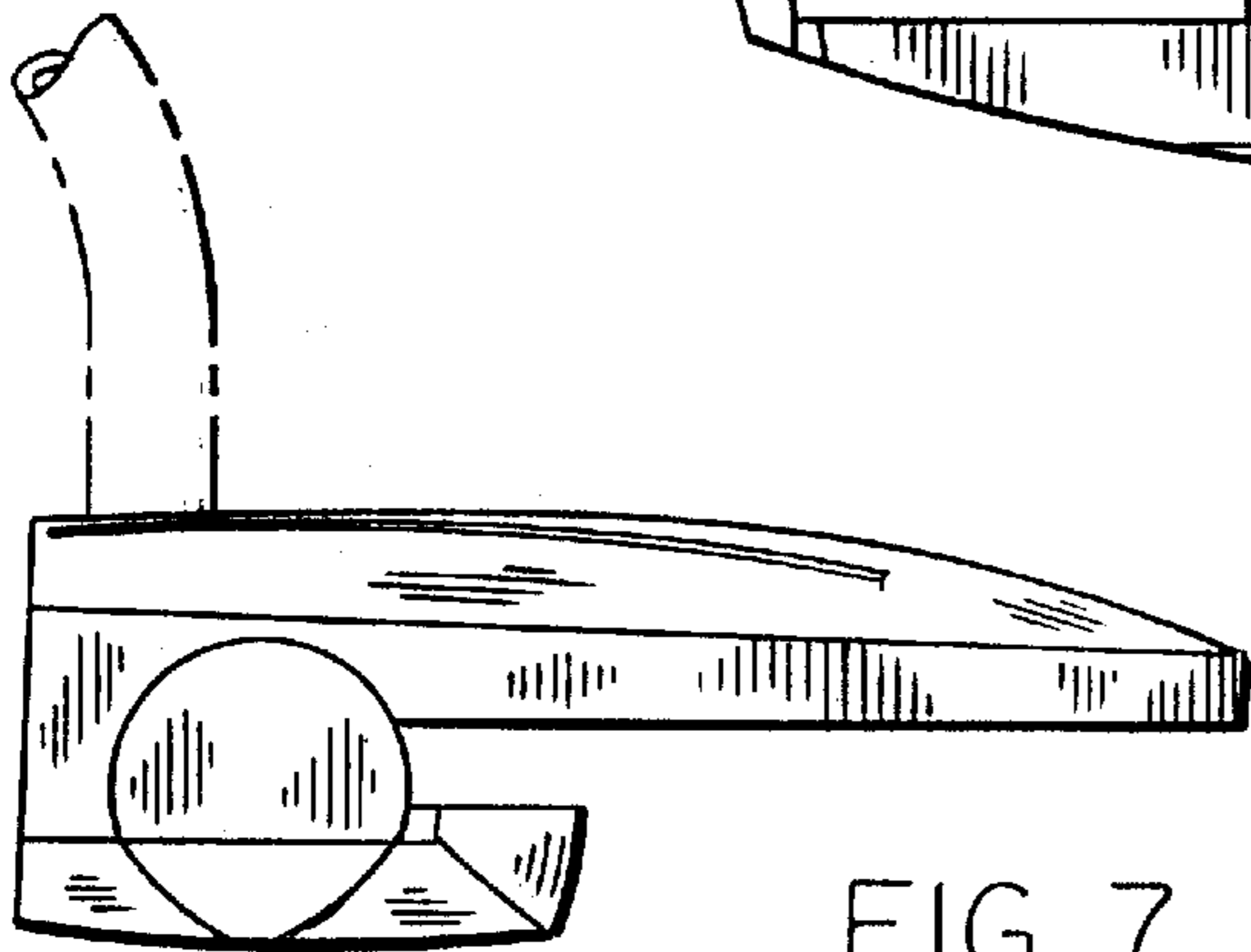


FIG. 7